



US00D769529S

(12) **United States Design Patent**  
**Langberg et al.**

(10) **Patent No.:** **US D769,529 S**

(45) **Date of Patent:** **\*\* Oct. 18, 2016**

(54) **COMBINED NAIL BUFFERING DEVICE AND CAP**

(71) Applicants: **Eric A. Langberg**, Milford, PA (US);  
**Lana Rascionato**, Totowa, NJ (US)

(72) Inventors: **Eric A. Langberg**, Milford, PA (US);  
**Lana Rascionato**, Totowa, NJ (US)

(73) Assignee: **IdeaVillage Products Corp.**, Wayne, NJ (US)

(\*\*) Term: **15 Years**

(21) Appl. No.: **29/505,818**

(22) Filed: **Feb. 22, 2016**

(51) **LOC (10) Cl.** ..... **28-03**

(52) **U.S. Cl.**  
USPC ..... **D28/58**; D28/59

(58) **Field of Classification Search**  
USPC ..... D28/58-59  
CPC ..... A45D 29/05; A45D 29/20; A45D 29/14  
See application file for complete search history.

(56) **References Cited**

U.S. PATENT DOCUMENTS

D249,565 S *	9/1978	Levin	.....	D28/58
D330,091 S *	10/1992	Anema	.....	D28/58
5,864,746 A *	1/1999	Chang	.....	A45D 29/05 451/296
D418,944 S *	1/2000	Choi	.....	D28/58
D448,483 S *	9/2001	Behnke	.....	D24/146
6,523,546 B2 *	2/2003	Jo	.....	A61B 17/54 132/75
D511,400 S *	11/2005	Shubert	.....	D28/58
D600,413 S *	9/2009	Khubani	.....	D30/158
D603,561 S *	11/2009	Cho	.....	D28/58
D736,999 S *	8/2015	Yiu	.....	D28/58
D751,762 S *	3/2016	Hollinger	.....	D28/58
D756,034 S *	5/2016	Yiu	.....	D28/44

2002/0107527 A1 *	8/2002	Burres	.....	A45D 29/14 606/131
2003/0102002 A1 *	6/2003	Cho	.....	A45D 29/05 132/73.6
2006/0137703 A1 *	6/2006	Kling	.....	A45D 29/05 132/73.6
2006/0150992 A1 *	7/2006	Nevakshonoff	.....	B24B 23/02 132/73.6
2006/0180170 A1 *	8/2006	Merten	.....	A45D 29/05 132/73.6
2006/0260629 A1 *	11/2006	Chern	.....	A45D 29/05 132/73.6
2006/0289025 A1 *	12/2006	Nevakshonoff	.....	B24B 23/02 132/73.6
2010/0236565 A1 *	9/2010	Fernandez	.....	A45D 29/05 132/73.6
2011/0226268 A1 *	9/2011	Filonczuk	.....	A45D 29/05 132/73.6
2011/0226270 A1 *	9/2011	Rivera	.....	A45D 29/05 132/73.6

\* cited by examiner

*Primary Examiner* — Jennifer Rivard

(74) *Attorney, Agent, or Firm* — Dan DeLaRosa

(57) **CLAIM**

The ornamental design for a combined nail buffering device and cap, as shown and described.

**DESCRIPTION**

FIG. 1 is a front perspective view of the combined nail buffering device and cap of the present invention showing my new design;

FIG. 2 is a front side elevational view thereof;

FIG. 3 is a back side elevational view thereof;

FIG. 4 is a side elevational view thereof;

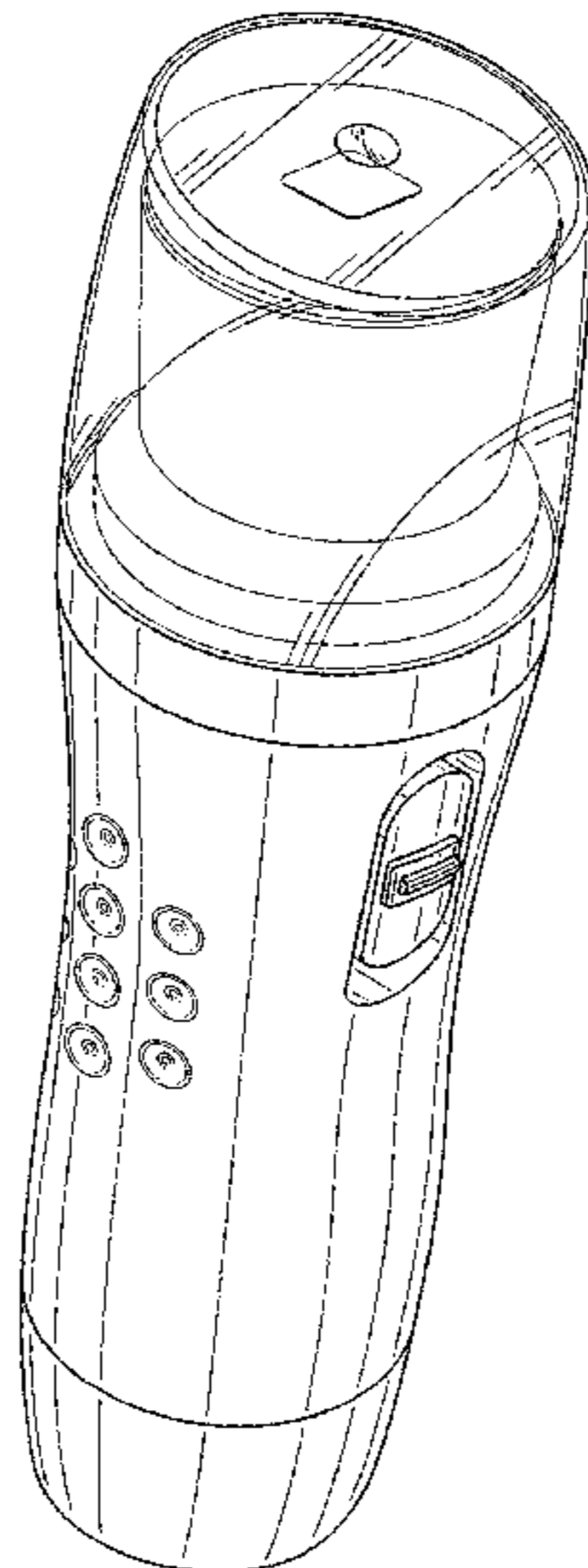
FIG. 5 is another side elevational view thereof;

FIG. 6 is a top plan view thereof; and,

FIG. 7 is a bottom plan view thereof.

The broken lines illustrate portions of the article and form no part of the claimed design.

**1 Claim, 6 Drawing Sheets**



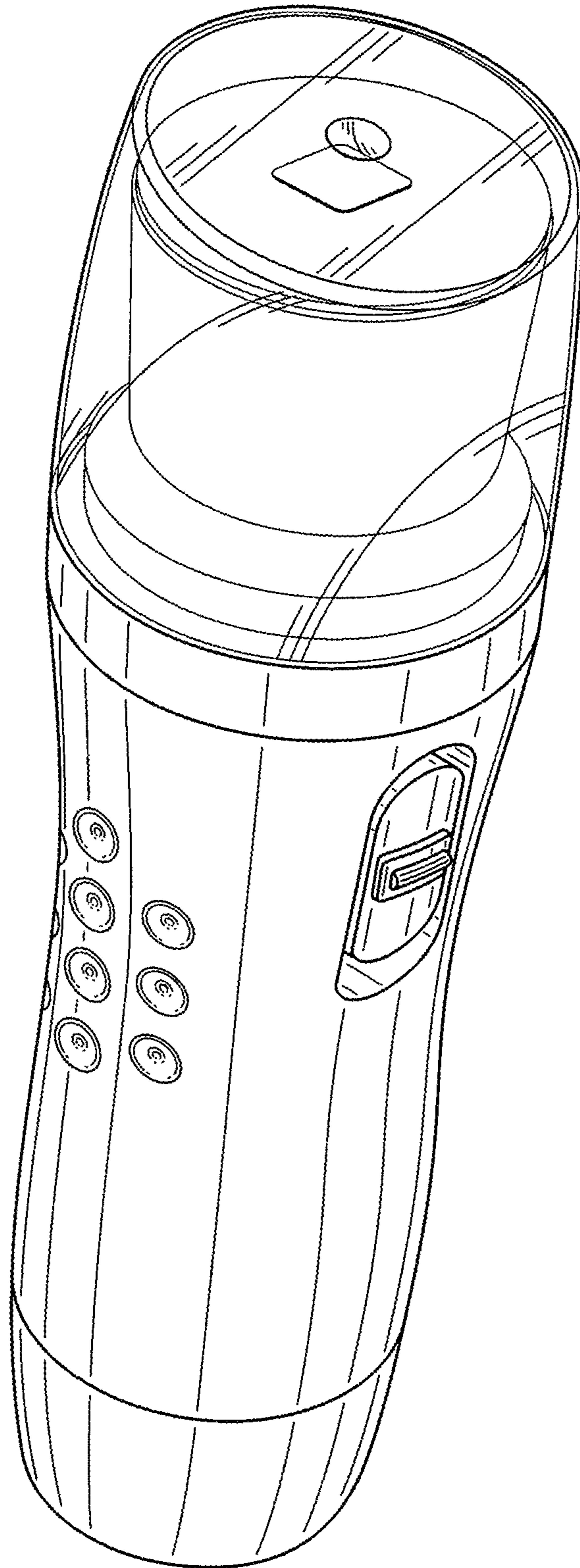


FIG. 1

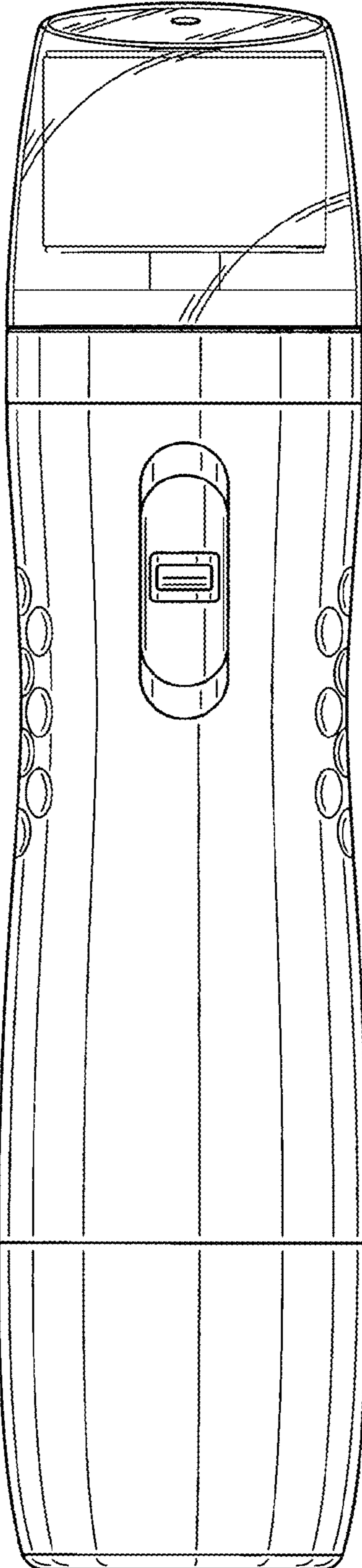


FIG. 2

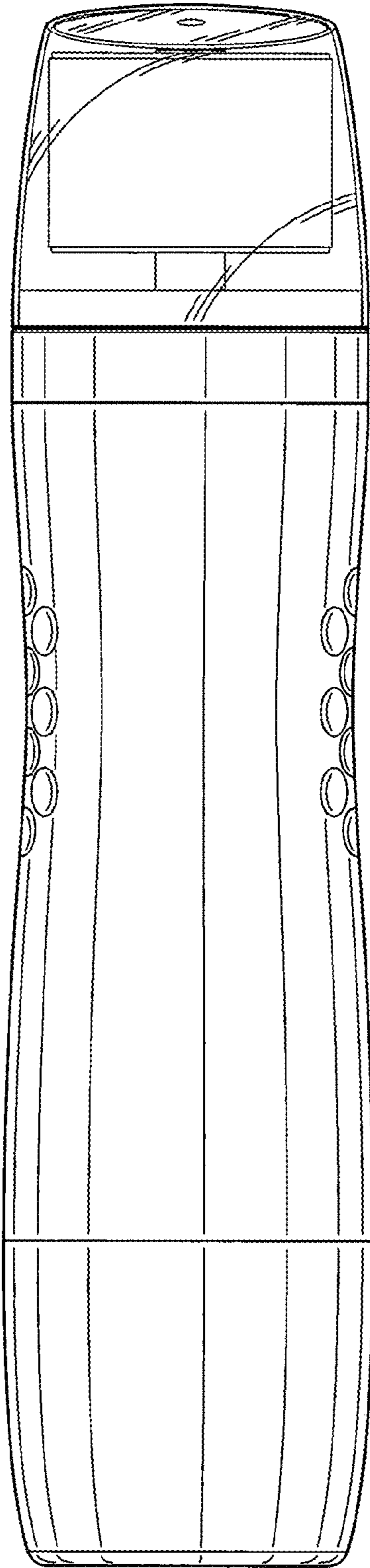


FIG. 3

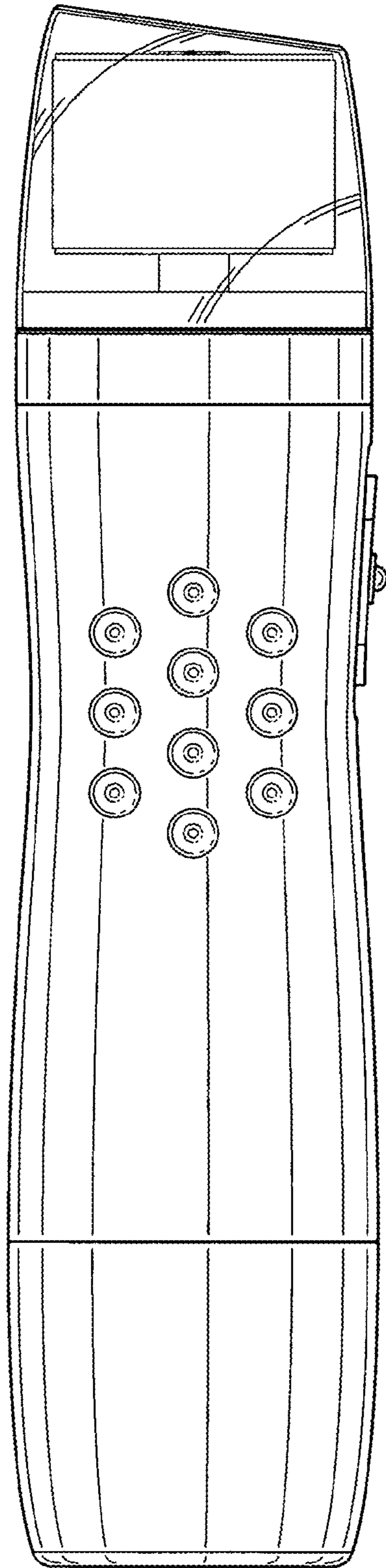


FIG. 4

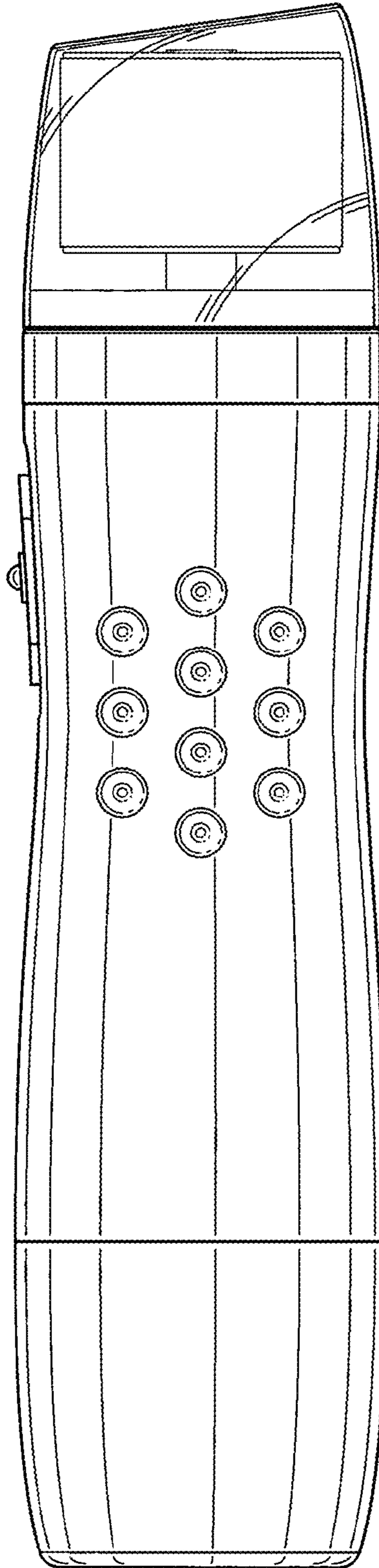


FIG. 5

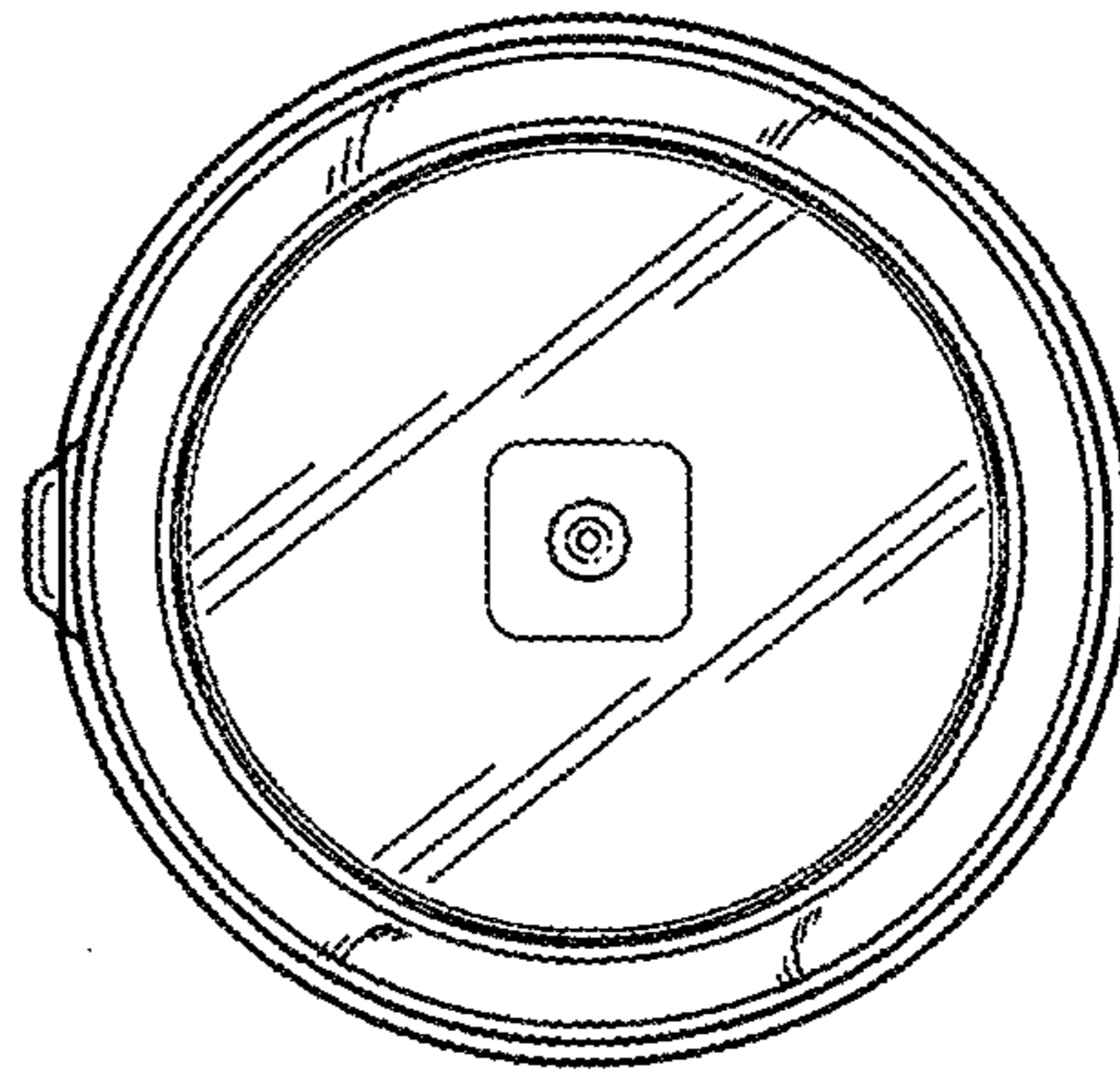


FIG. 6

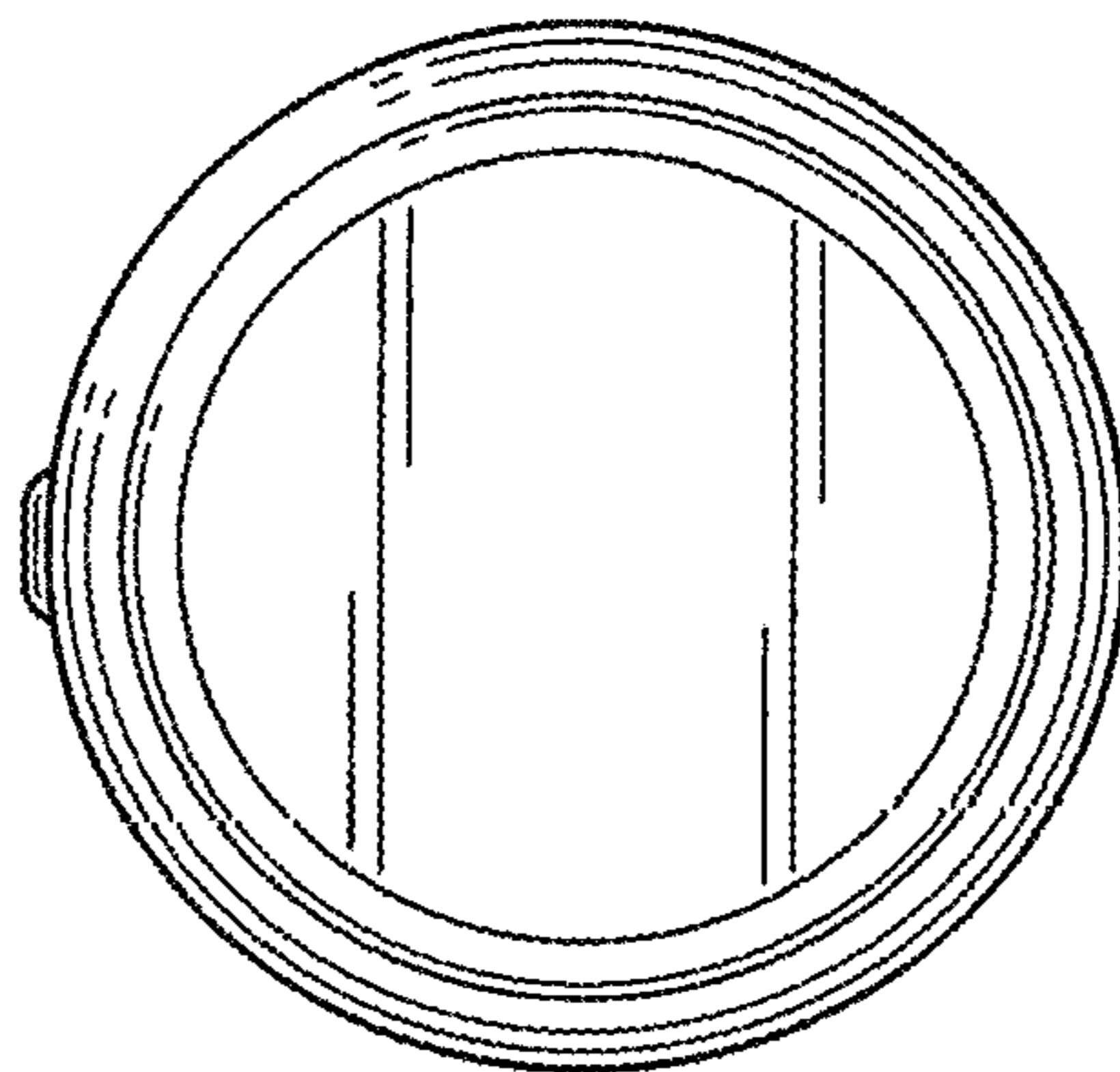


FIG. 7