



US00D769527S

(12) **United States Design Patent** (10) **Patent No.:** **US D769,527 S**
Coral (45) **Date of Patent:** **** Oct. 18, 2016**

- (54) **HAIR CLIP**
- (71) Applicant: **Style of Paris LLC**, Plantation, FL (US)
- (72) Inventor: **Hilaire Coral**, Oyonnax (FR)
- (73) Assignee: **Style of Paris LLC**, Plantation, FL (US)
- (**) Term: **15 Years**
- (21) Appl. No.: **29/527,677**
- (22) Filed: **May 21, 2015**
- (51) **LOC (10) Cl.** **28-03**
- (52) **U.S. Cl.**
USPC **D28/40**
- (58) **Field of Classification Search**
USPC D28/31-34; D11/1-5; 132/126, 132/128-131, 144, 148, 275-284
CPC A45D 8/20; A45D 8/24; A45D 8/34
See application file for complete search history.

(56) **References Cited**

U.S. PATENT DOCUMENTS

D541,983 S *	5/2007	Au	D28/40
7,299,808 B2 *	11/2007	Lau	A45D 8/20 132/277
7,753,058 B2 *	7/2010	Chudzik	A45D 8/20 132/276
D642,738 S *	8/2011	Hsu	D28/40
8,087,416 B2 *	1/2012	Defenbaugh	A45D 8/20 132/200
8,109,279 B2 *	2/2012	Chudzik	A45D 8/20 132/277
D712,093 S *	8/2014	Hsu	D28/40
D737,510 S *	8/2015	Wright	D28/40

9,232,841 B1 *	1/2016	Hsu	A45D 8/20
2008/0149129 A1 *	6/2008	Yang	A45D 8/20 132/277
2009/0272398 A1 *	11/2009	Chudzik	A45D 8/20 132/277
2009/0277469 A1 *	11/2009	Hsu	A45D 8/20 132/277

* cited by examiner

Primary Examiner — Susan Bennett Hattan

Assistant Examiner — Rebecca Tsehaye

(74) *Attorney, Agent, or Firm* — Greg M. Popowitz;
Assouline & Berlowe, P.A.

(57) **CLAIM**

The ornamental design for a hair clip, as shown and described.

DESCRIPTION

FIG. 1 is a front perspective view of the present invention in an open position.

FIG. 2 is a front view of the hair clip shown in FIG. 1 in a closed position.

FIG. 3 is a left side view of the hair clip shown in FIG. 1 in a closed position.

FIG. 4 is a right side view of the hair clip shown in FIG. 1 in a closed position.

FIG. 5 is a left side view of the hair clip shown in FIG. 1 in an open position.

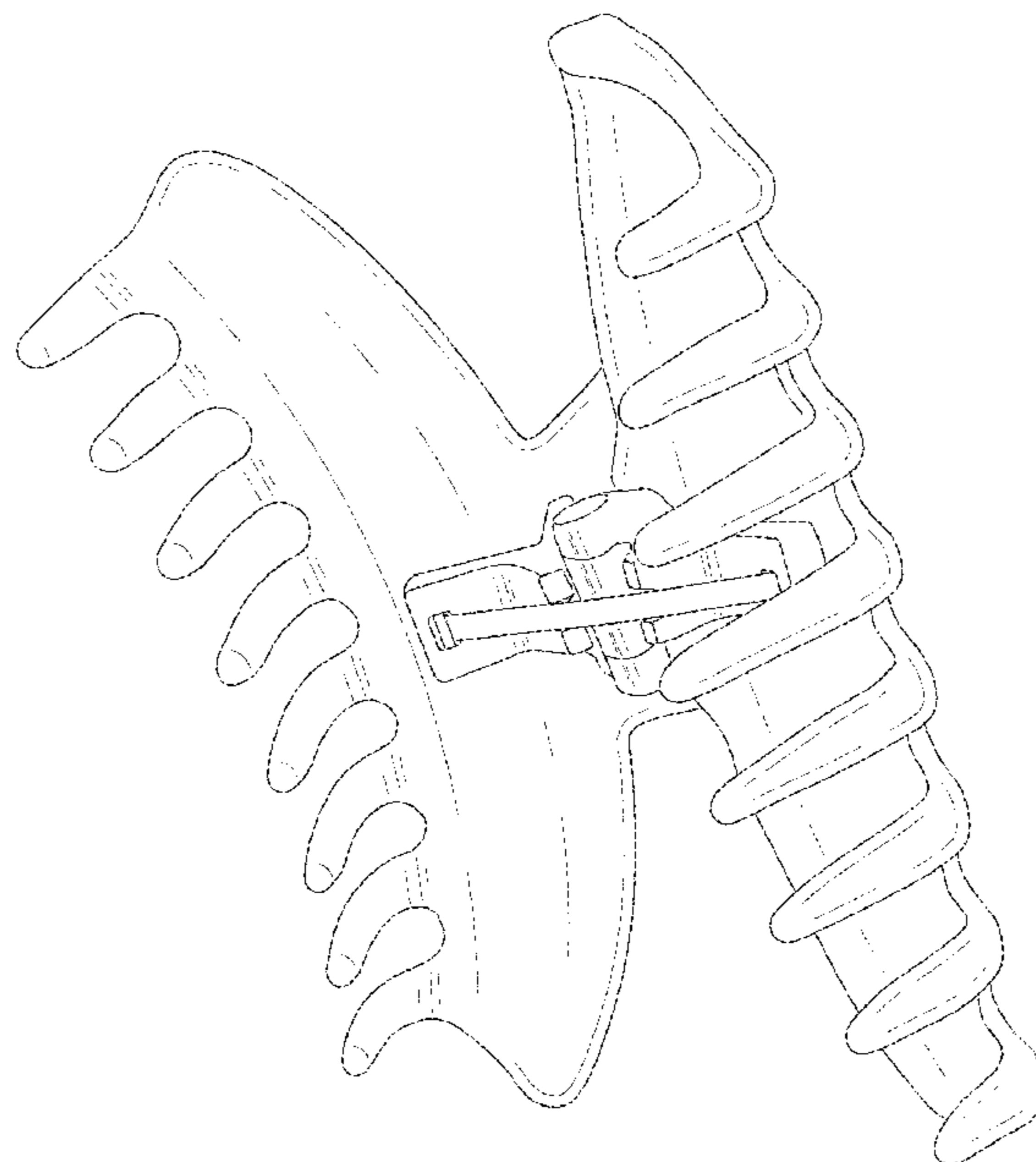
FIG. 6 is right side view of the hair clip shown in FIG. 1 in an open position.

FIG. 7 is a top view of the hair clip shown in FIG. 1 in a closed position.

FIG. 8 is a bottom view of the hair clip shown in FIG. 1 in a closed position; and,

FIG. 9 is rear view of the hair clip shown in FIG. 1 in a closed position.

1 Claim, 6 Drawing Sheets



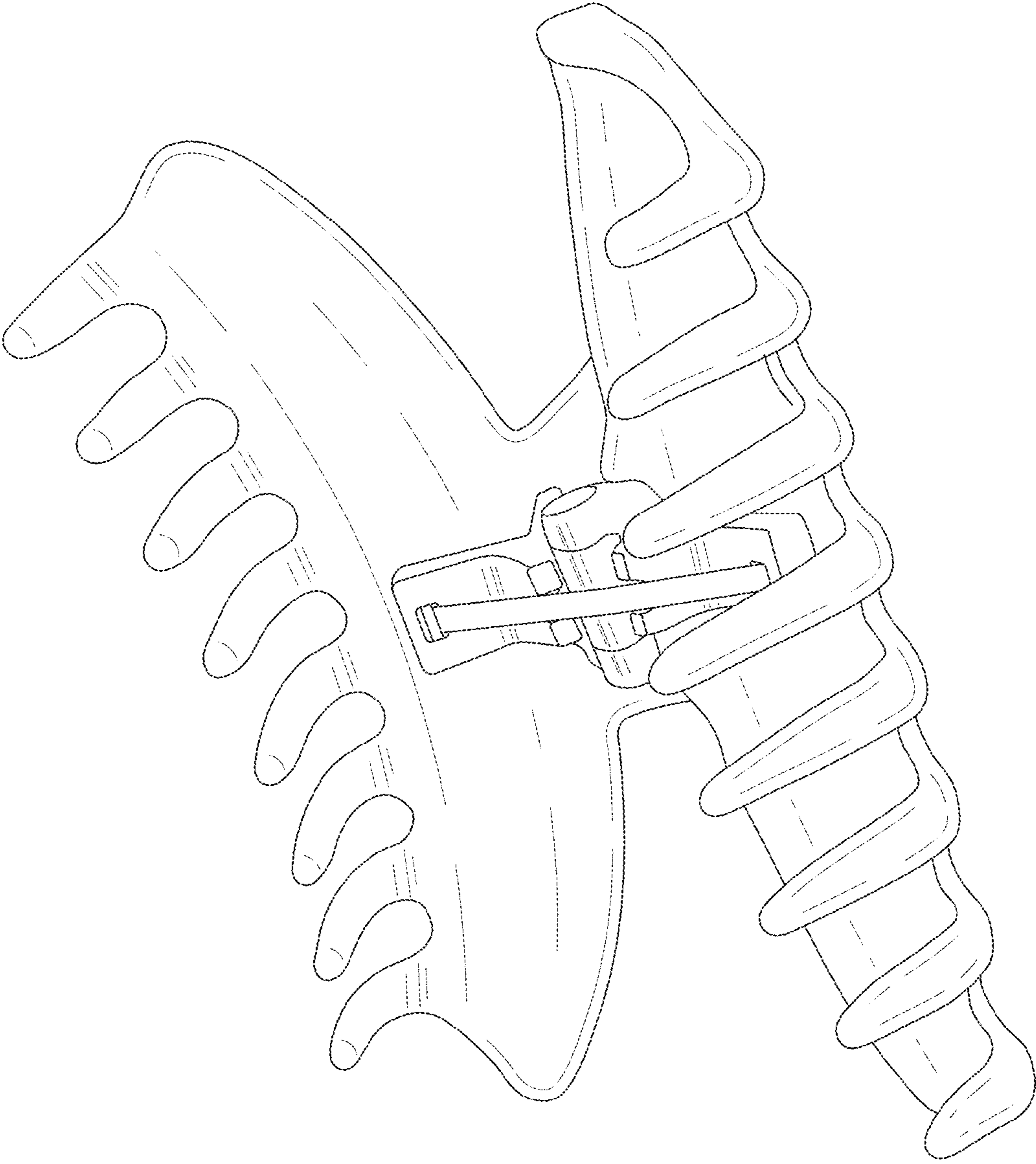


Fig. 1

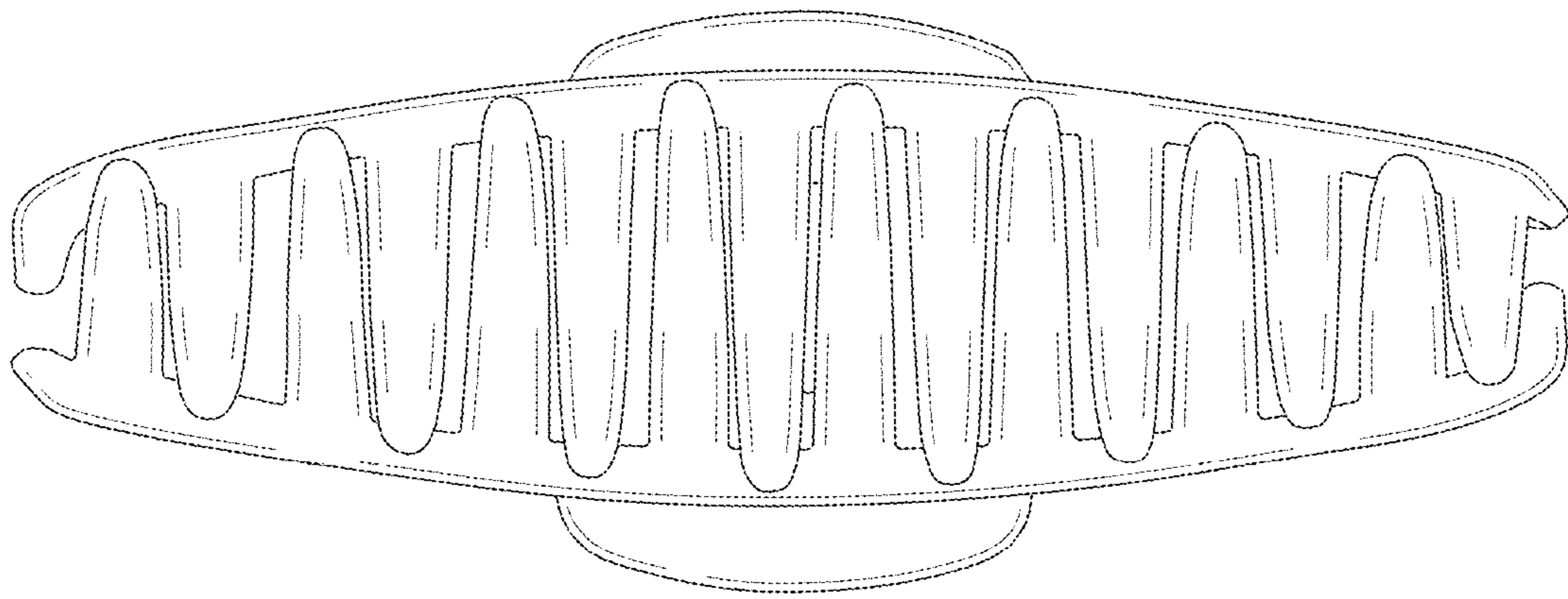


Fig. 2

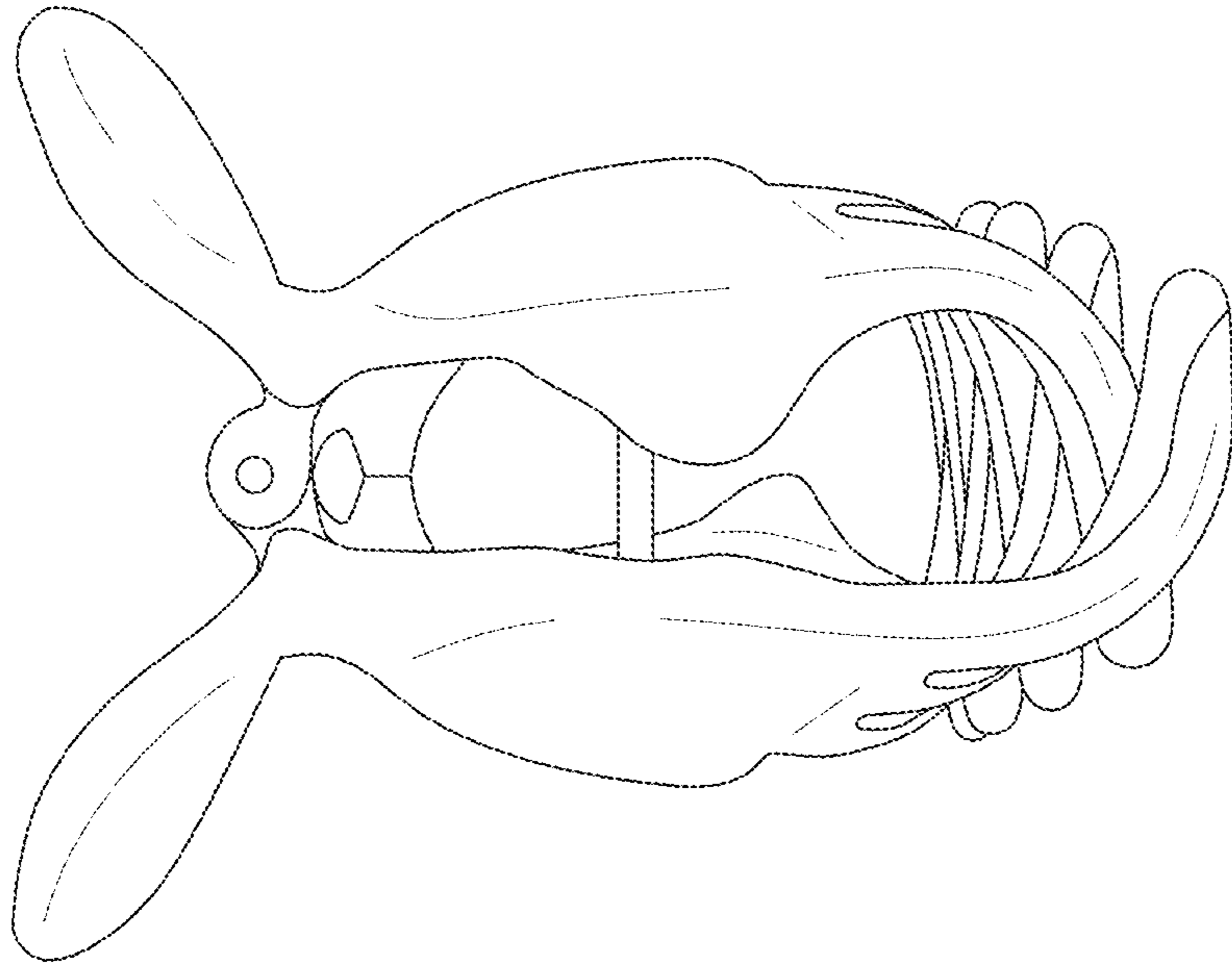


Fig. 4

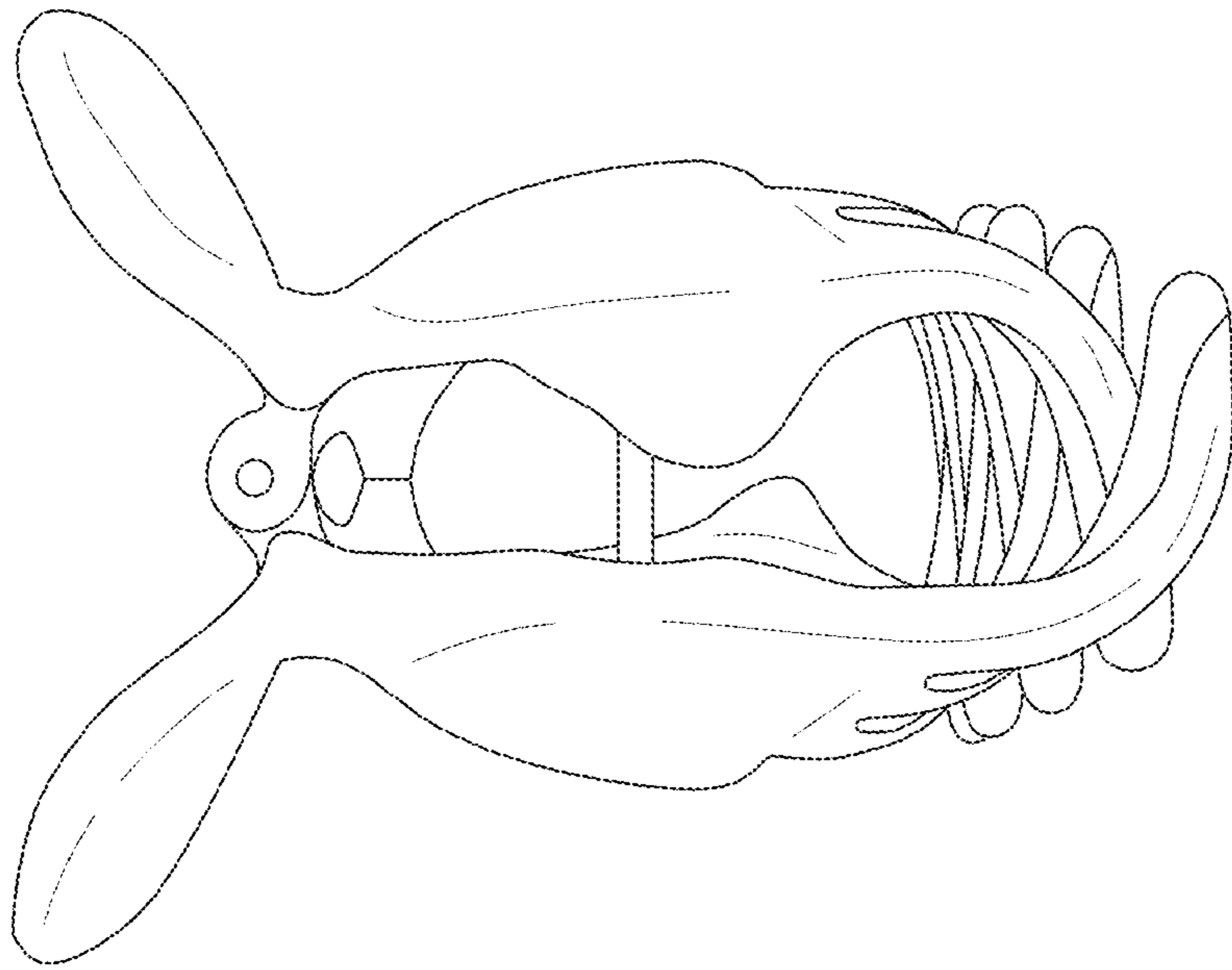


Fig. 3

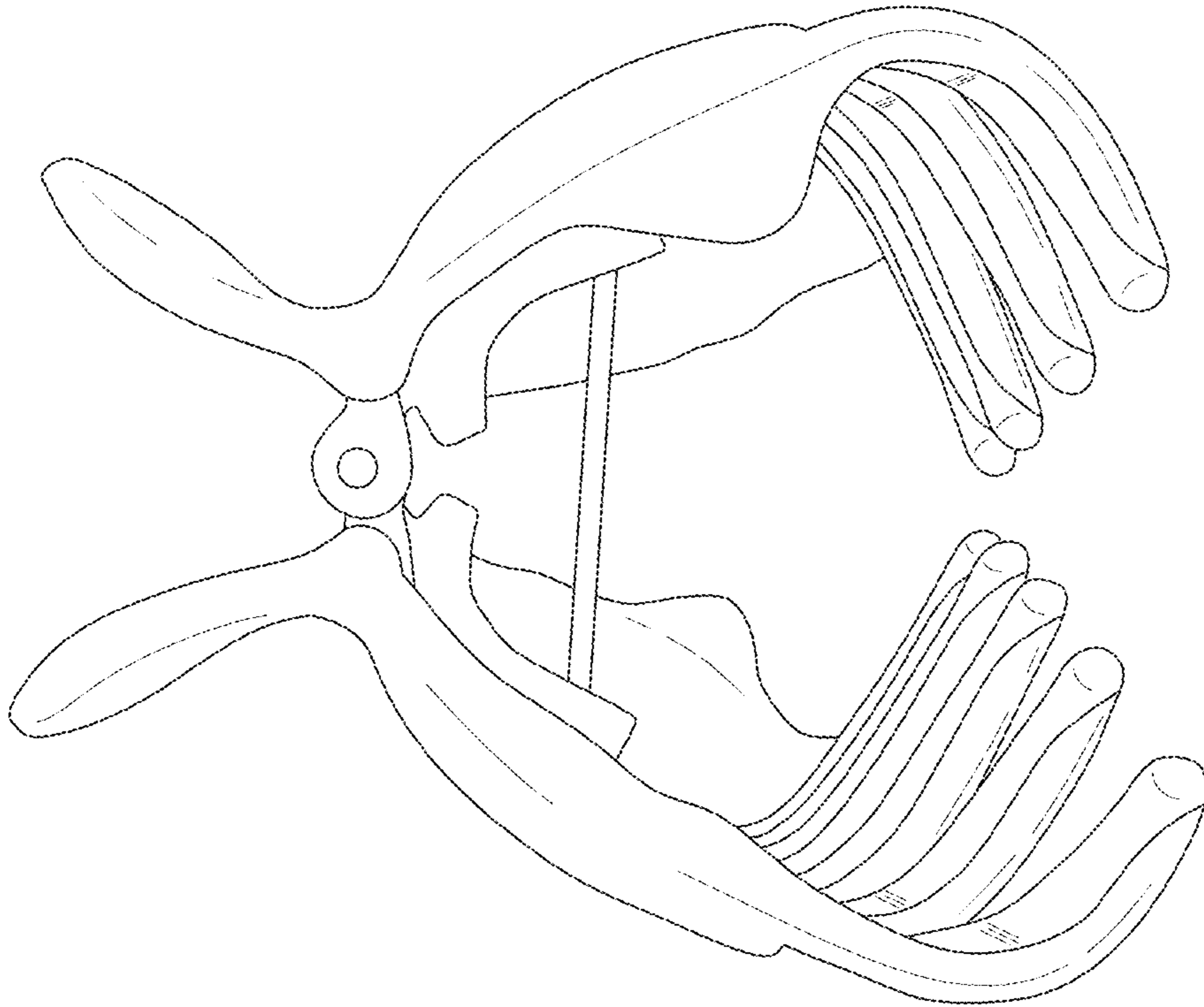


Fig. 6

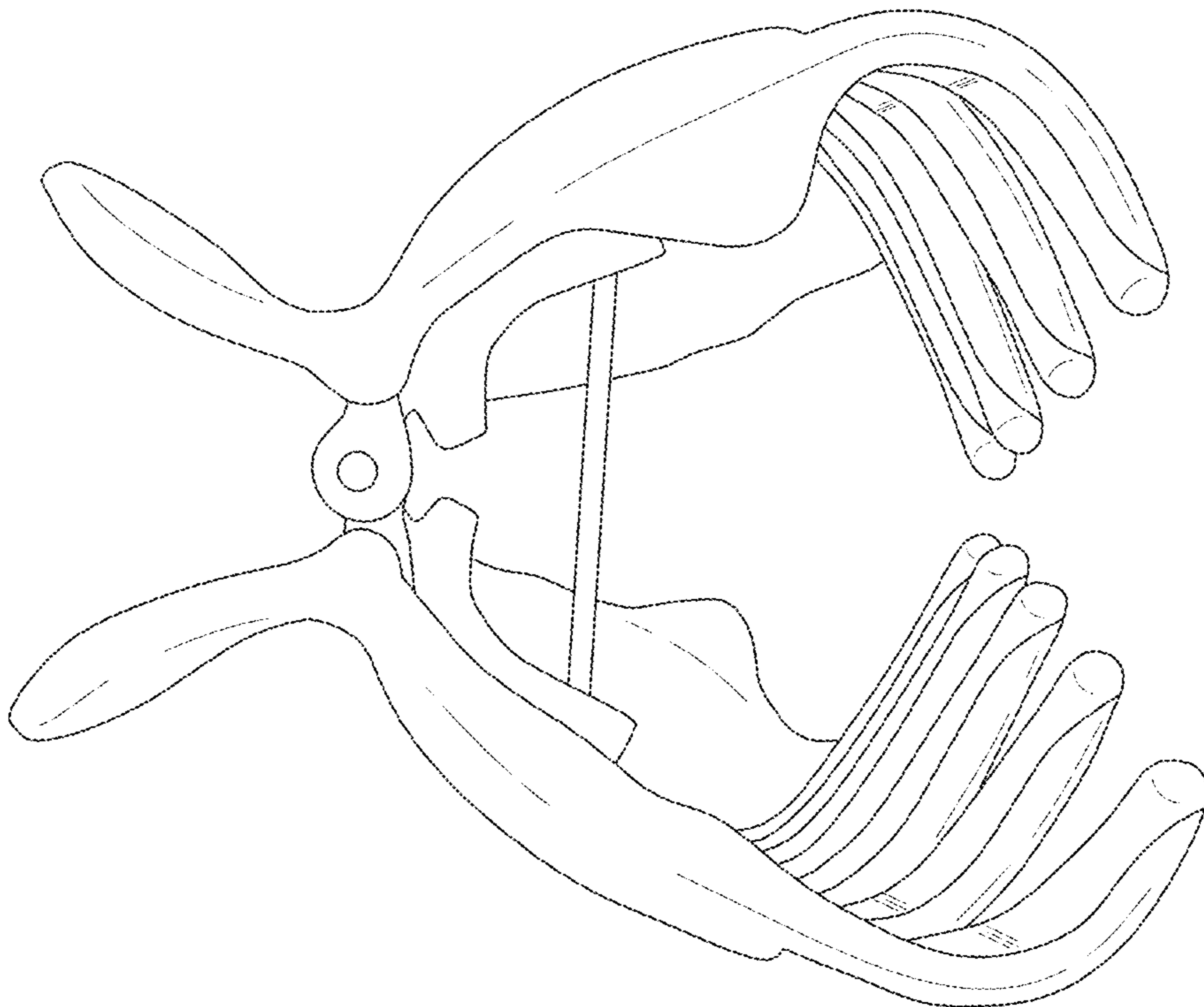


Fig. 5

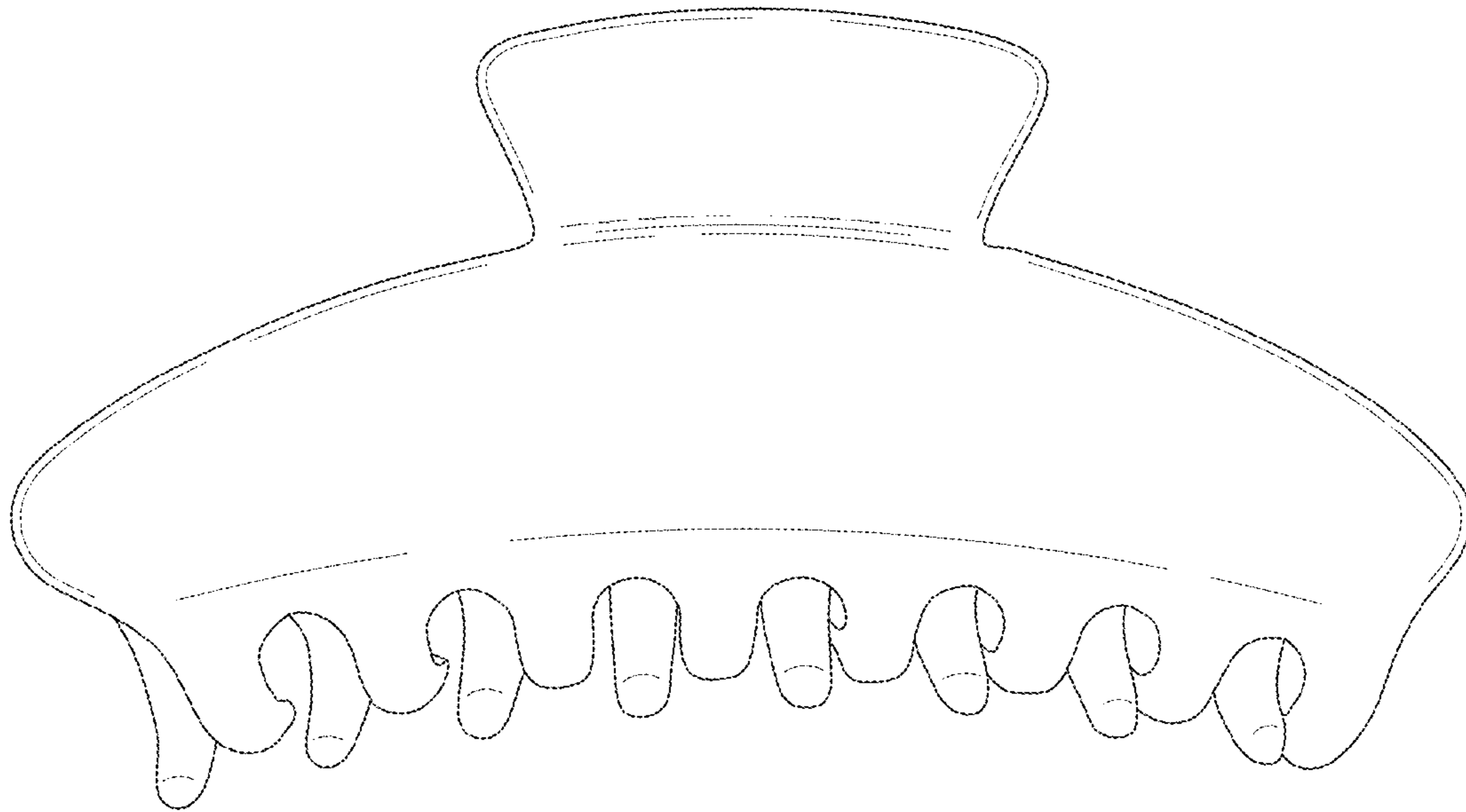


Fig. 7

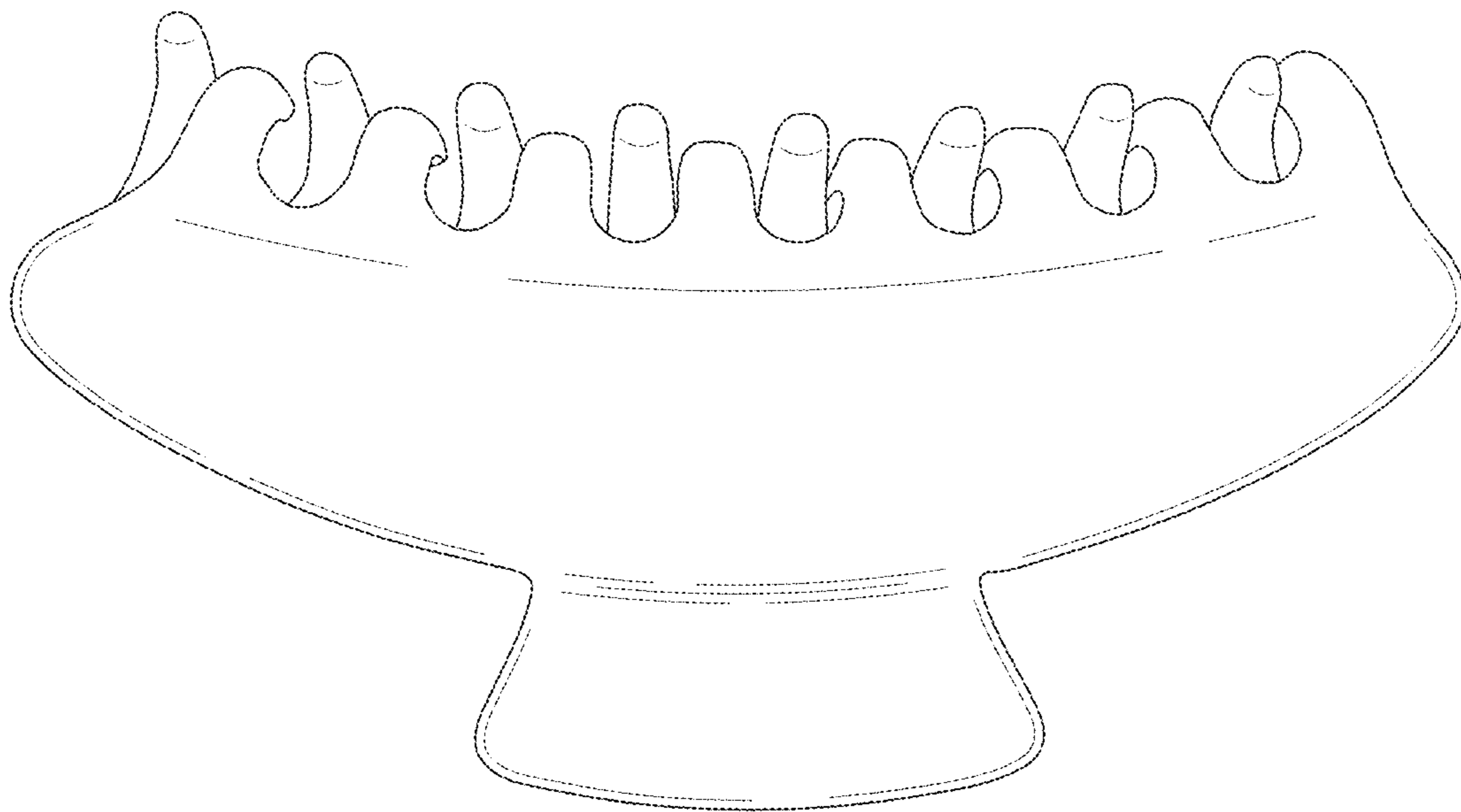


Fig. 8

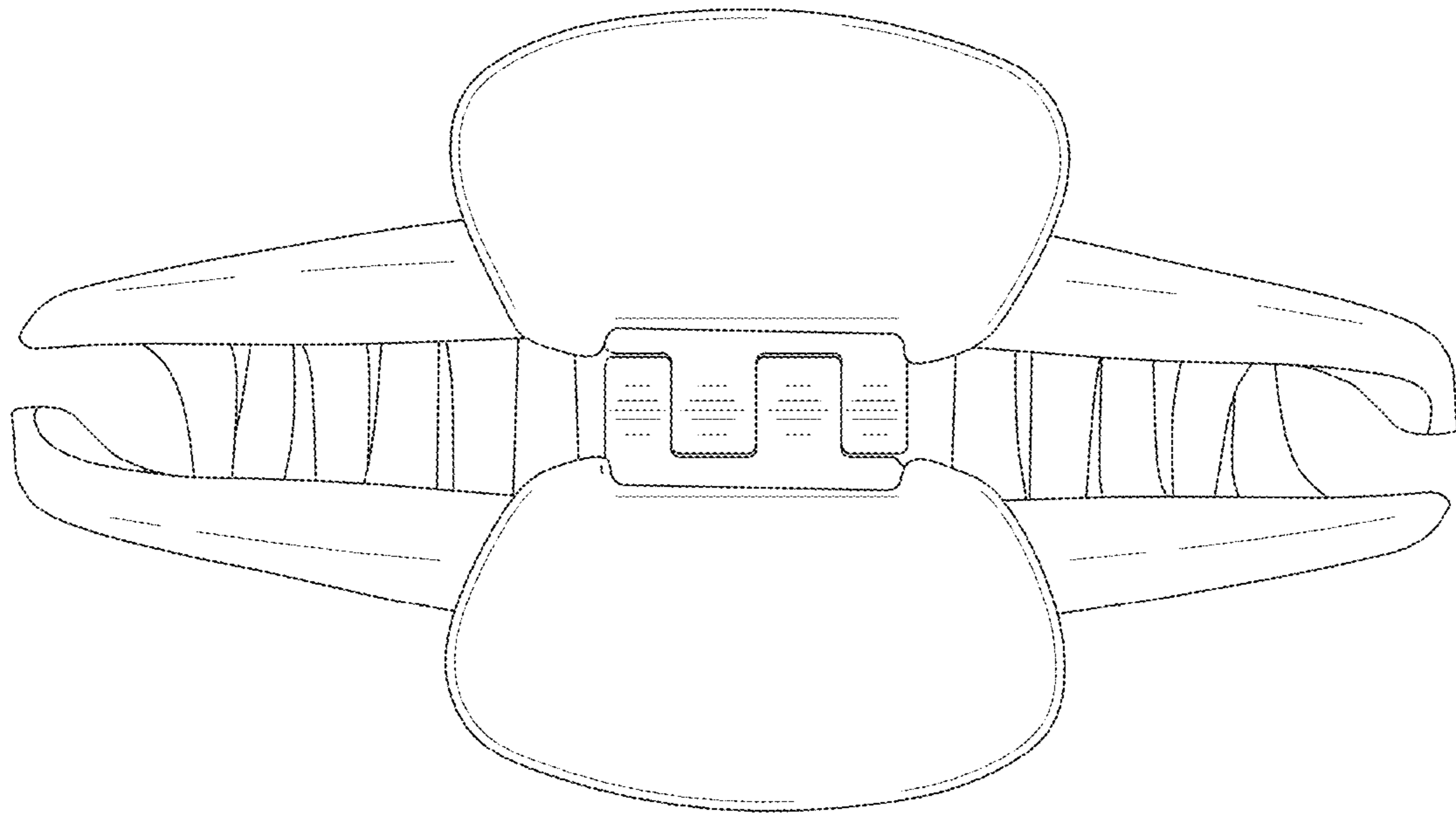


Fig. 9