

US00D769523S

(12) **United States Design Patent** (10) **Patent No.:** **US D769,523 S**
Fan (45) **Date of Patent:** **** Oct. 18, 2016**

(54) **HAIR STRAIGHTENER**
(71) Applicant: **Wenzhou Lena Electric Technology Corp., Wenzhou (CN)**
(72) Inventor: **Maochang Fan, Zhejiang (CN)**
(73) Assignee: **Wenzhou Lena Electric Technology Corp., Wenzhou (CN)**
(**) Term: **15 Years**
(21) Appl. No.: **29/537,028**
(22) Filed: **Aug. 21, 2015**
(51) **LOC (10) Cl.** **28-03**
(52) **U.S. Cl.**
USPC **D28/35**
(58) **Field of Classification Search**
USPC D28/35, 10
CPC A45D 1/00-1/28; A45D 2/00; A45D 2/001;
A45D 2/002; A45D 2/02; A45D 2/04;
A45D 2/06; A45D 2/08; A45D 2/10; A45D
2/12-2/22; A45D 2/24-2/34; A45D
2/36-2/367
See application file for complete search history.

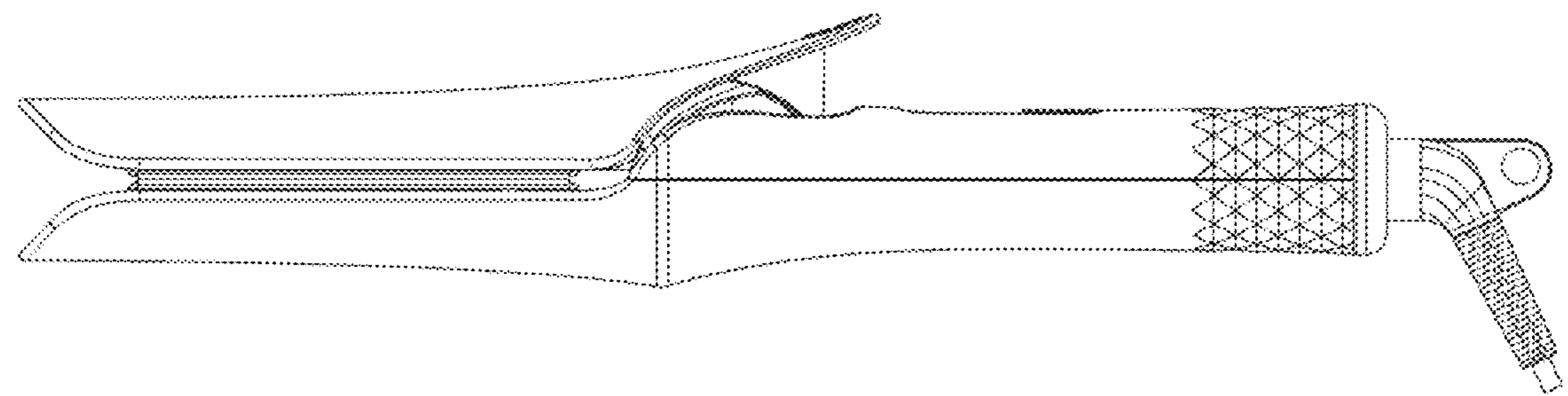
(56) **References Cited**
U.S. PATENT DOCUMENTS
D625,048 S * 10/2010 Mayo D28/35
D651,742 S * 1/2012 Kim D28/35
D651,743 S * 1/2012 Kim D28/35
D651,744 S * 1/2012 Schmitz D28/35
D726,964 S * 4/2015 Smith D28/35
D729,450 S * 5/2015 Van Maanen D28/35
D758,013 S * 5/2016 Bermudez D28/35
* cited by examiner

Primary Examiner — Jennifer Rivard
(74) *Attorney, Agent, or Firm* — Kelly & Kelley, LLP

(57) **CLAIM**
The ornamental design for a hair straightener, as shown.

DESCRIPTION
FIG. 1 is a front elevational view of a hair straightener embodying the new design;
FIG. 2 is a rear elevational view thereof;
FIG. 3 is a left side elevational view thereof;
FIG. 4 is a right side elevational view thereof;
FIG. 5 is a top plan view thereof; and,
FIG. 6 is a bottom plan view thereof.

1 Claim, 5 Drawing Sheets



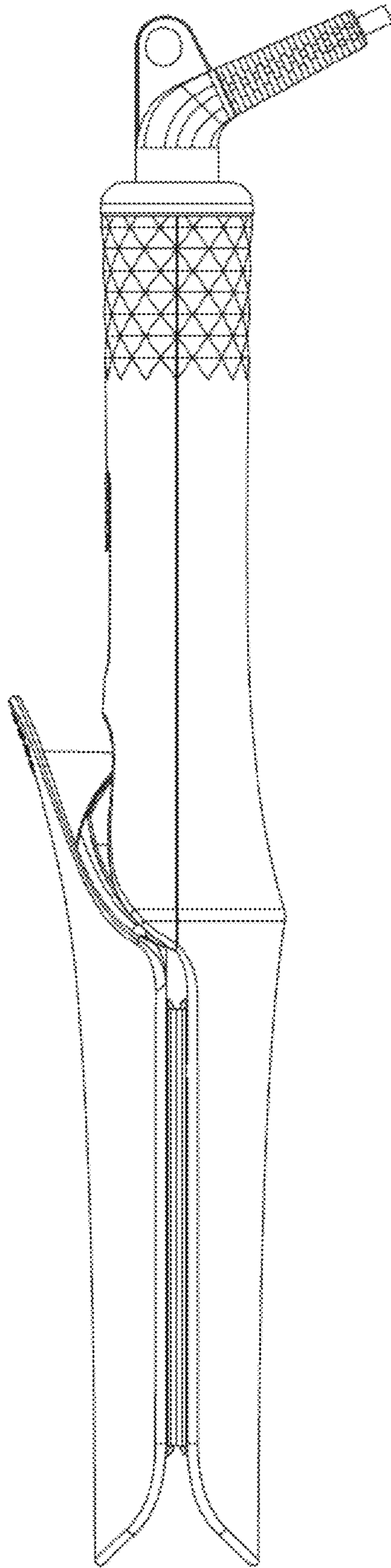


FIG. 1

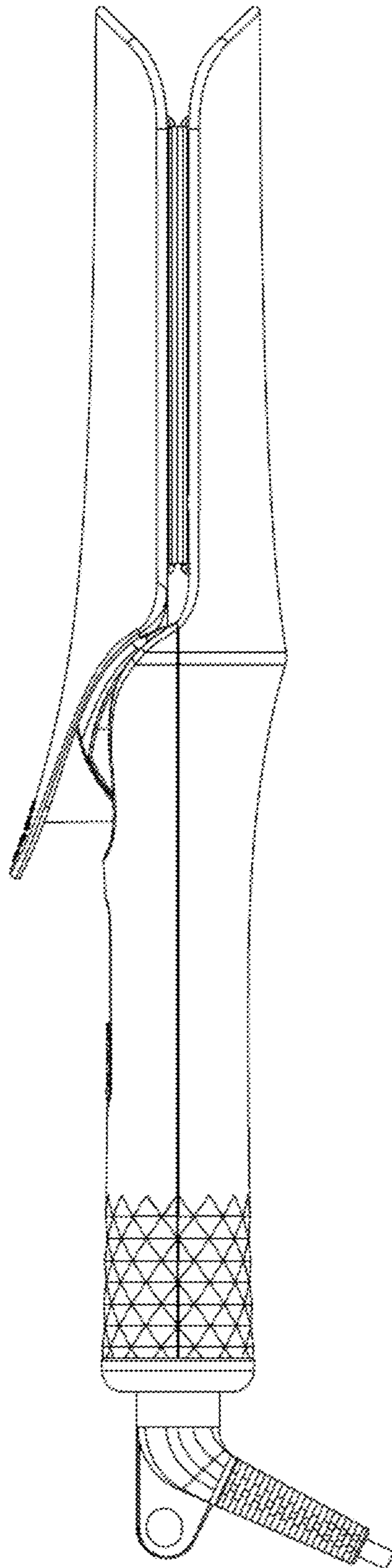


FIG. 2

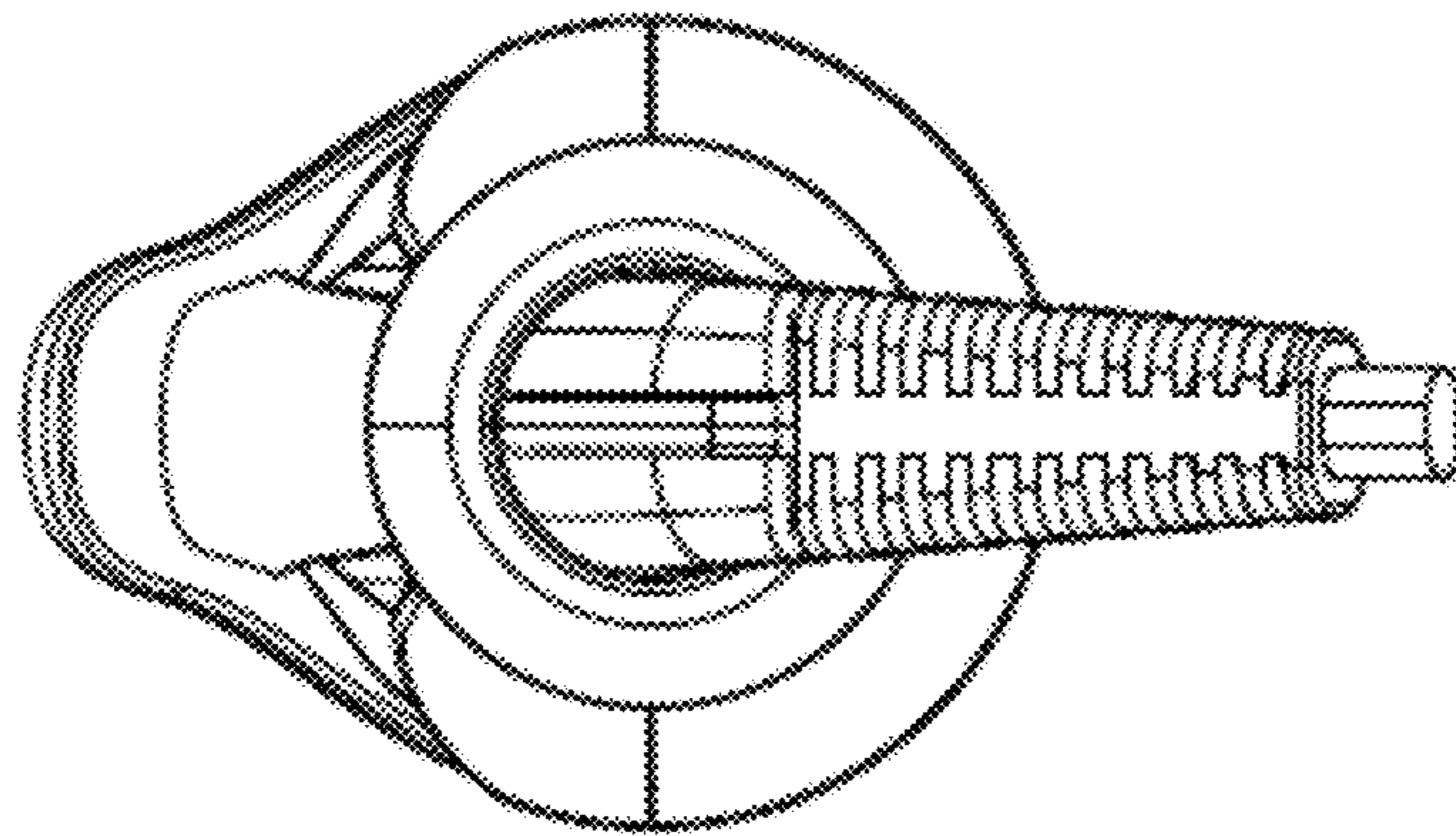


FIG. 3

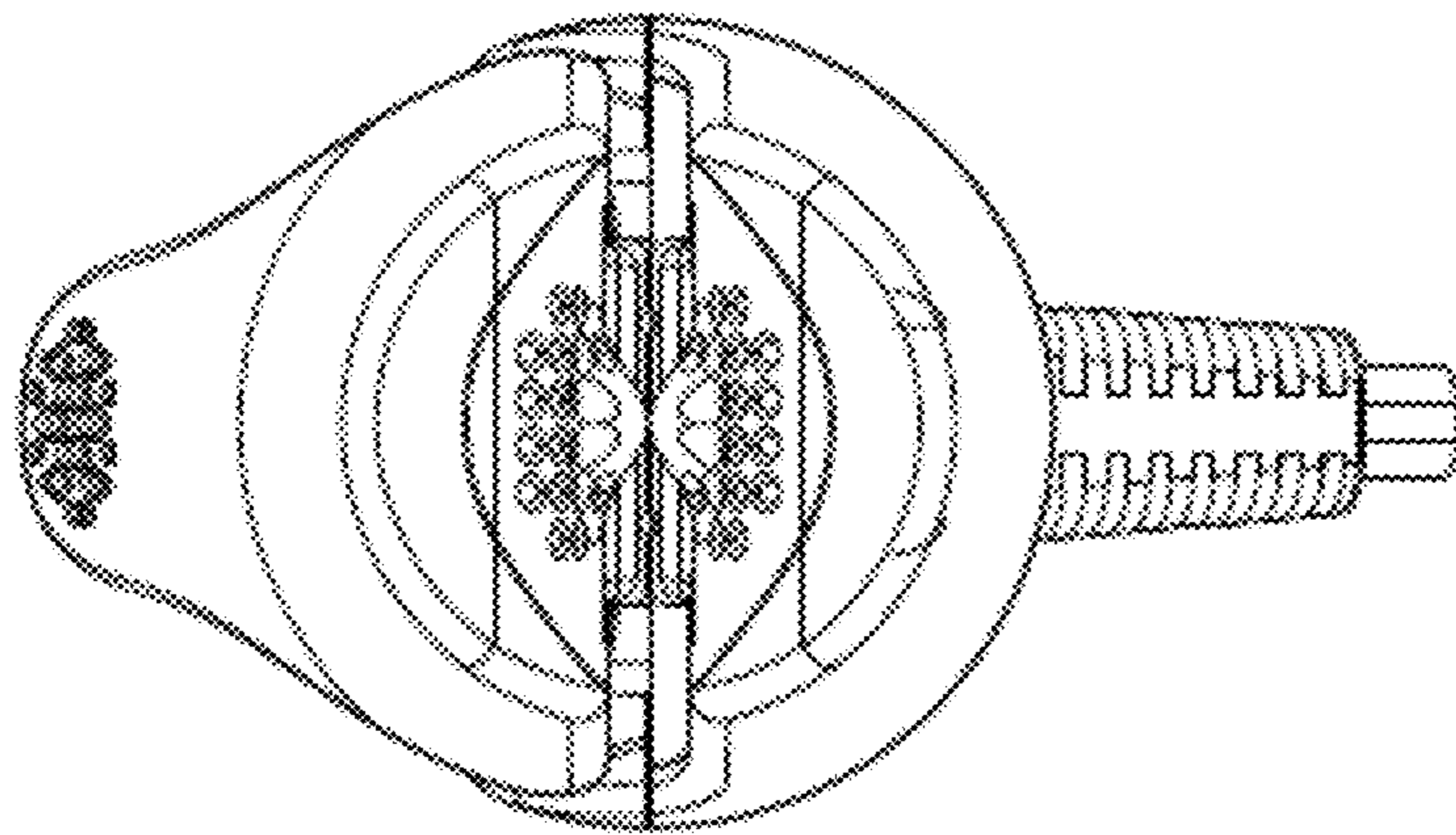


FIG. 4

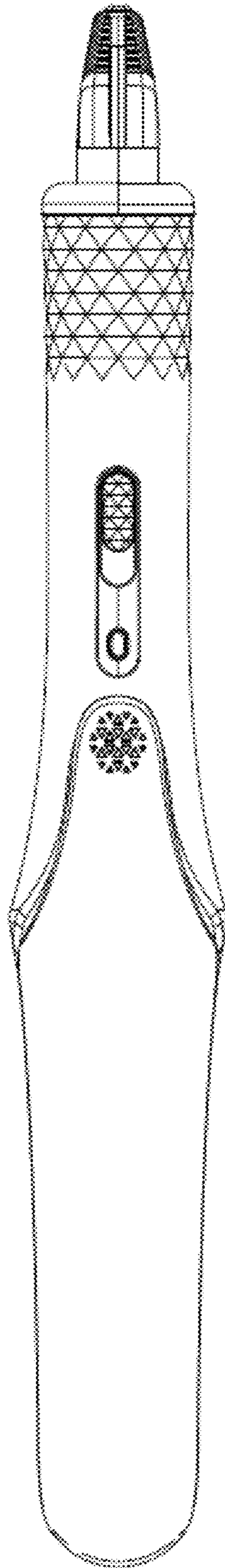


FIG. 5

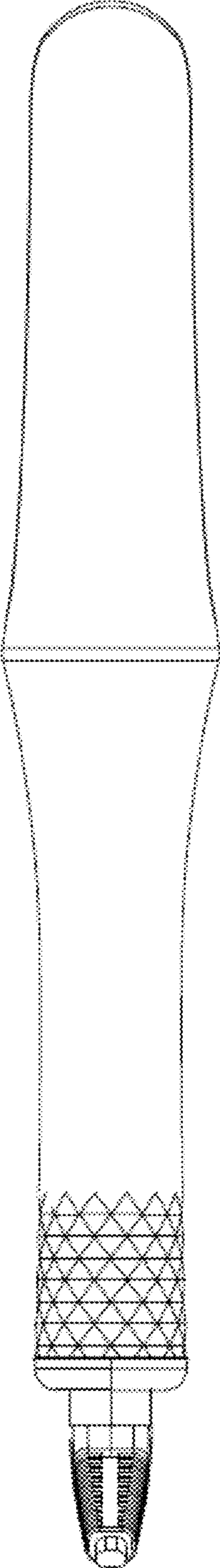


FIG. 6