



US00D769521S

(12) **United States Design Patent** (10) **Patent No.:** **US D769,521 S**  
**Lin** (45) **Date of Patent:** **\*\* \*Oct. 18, 2016**

(54) **HORIZONTAL CIGARETTE-MAKING MACHINE**

(71) Applicant: **REPUBLIC TOBACCO L.P.**,  
Glenview, IL (US)

(72) Inventor: **Mei Lin**, Northbrook, IL (US)

(73) Assignee: **REPUBLIC TOBACCO L.P.**,  
Glenview, IL (US)

(\*) Notice: This patent is subject to a terminal disclaimer.

(\*\*) Term: **14 Years**

(21) Appl. No.: **29/490,975**

(22) Filed: **May 15, 2014**

(51) **LOC (10) Cl.** ..... **27-99**

(52) **U.S. Cl.**  
USPC ..... **D27/194**

(58) **Field of Classification Search**  
USPC ..... D27/172-194; 131/70, 75, 58, 280, 108  
CPC ..... A24C 5/40; A24C 5/42; A24C 5/10;  
A24F 17/00  
See application file for complete search history.

(56) **References Cited**

**U.S. PATENT DOCUMENTS**

D250,965 S *	1/1979	Moscovitch	.....	D27/194
D256,168 S *	7/1980	Thompson	.....	D27/194
D414,893 S *	10/1999	Moore	.....	D27/194
D436,687 S *	1/2001	Kastner	.....	D27/194
D473,338 S *	4/2003	Brandenburg	.....	D27/194
D494,315 S *	8/2004	Cartier	.....	D27/194
D544,643 S *	6/2007	Lin	.....	D27/194
D547,490 S *	7/2007	Simester	.....	D27/194
D553,793 S *	10/2007	Lin	.....	D27/194
D613,032 S *	4/2010	Lin	.....	D27/194
D613,033 S *	4/2010	Lin	.....	D27/194
D659,901 S *	5/2012	Lin	.....	D27/194
D665,126 S *	8/2012	Lin	.....	D27/194
8,261,752 B2 *	9/2012	Bao	.....	A24C 5/42 131/70

D691,768 S *	10/2013	Lin	.....	D27/194
D700,398 S *	2/2014	Lin	.....	D27/194
D700,399 S *	2/2014	Lin	.....	D27/194
D739,602 S *	9/2015	Karl	.....	D27/194
D741,003 S *	10/2015	Von Schoultz	.....	D27/194
2010/0229880 A1 *	9/2010	Bao	.....	A24C 5/42 131/70
2011/0023894 A1 *	2/2011	Huang	.....	A24C 5/02 131/58
2013/0152952 A1 *	6/2013	Bao	.....	A24C 5/42 131/70
2014/0034069 A1 *	2/2014	Chen	.....	A24C 5/06 131/70
2014/0202471 A1 *	7/2014	Bao	.....	A24C 5/42 131/108
2015/0223519 A1 *	8/2015	Bao	.....	A24C 5/42 131/70
2015/0282523 A1 *	10/2015	O'Malley	.....	A24D 1/022 131/58

\* cited by examiner

*Primary Examiner* — Rosemary K Tarcza

*Assistant Examiner* — Yolanda Robinson

(74) *Attorney, Agent, or Firm* — Michael Best & Friedrich LLP

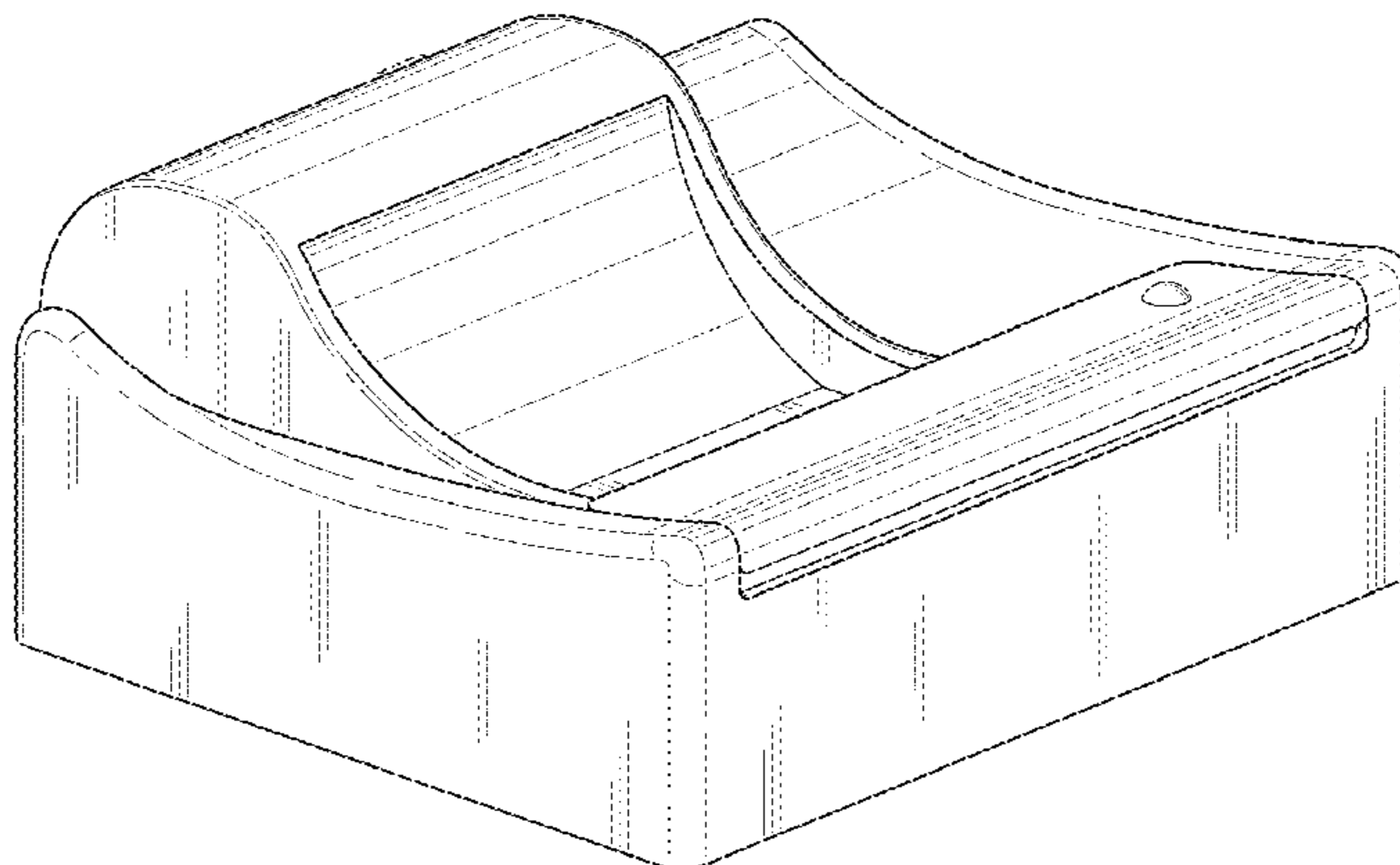
(57) **CLAIM**

The ornamental design for a horizontal cigarette-making machine, as shown and described.

**DESCRIPTION**

FIG. 1 is a front perspective view of a horizontal cigarette-making machine showing my new design; FIG. 2 is a front elevational view thereof; FIG. 3 is a rear elevational view thereof; FIG. 4 is a left side elevational view thereof; FIG. 5 is a right side elevational view thereof; FIG. 6 is a top plan view thereof; and, FIG. 7 is a bottom plan view thereof. The structural features depicted by broken lines in the drawing views have been shown for the purpose of illustrating portions of the horizontal cigarette-making machine that form no part of the claimed design.

**1 Claim, 5 Drawing Sheets**



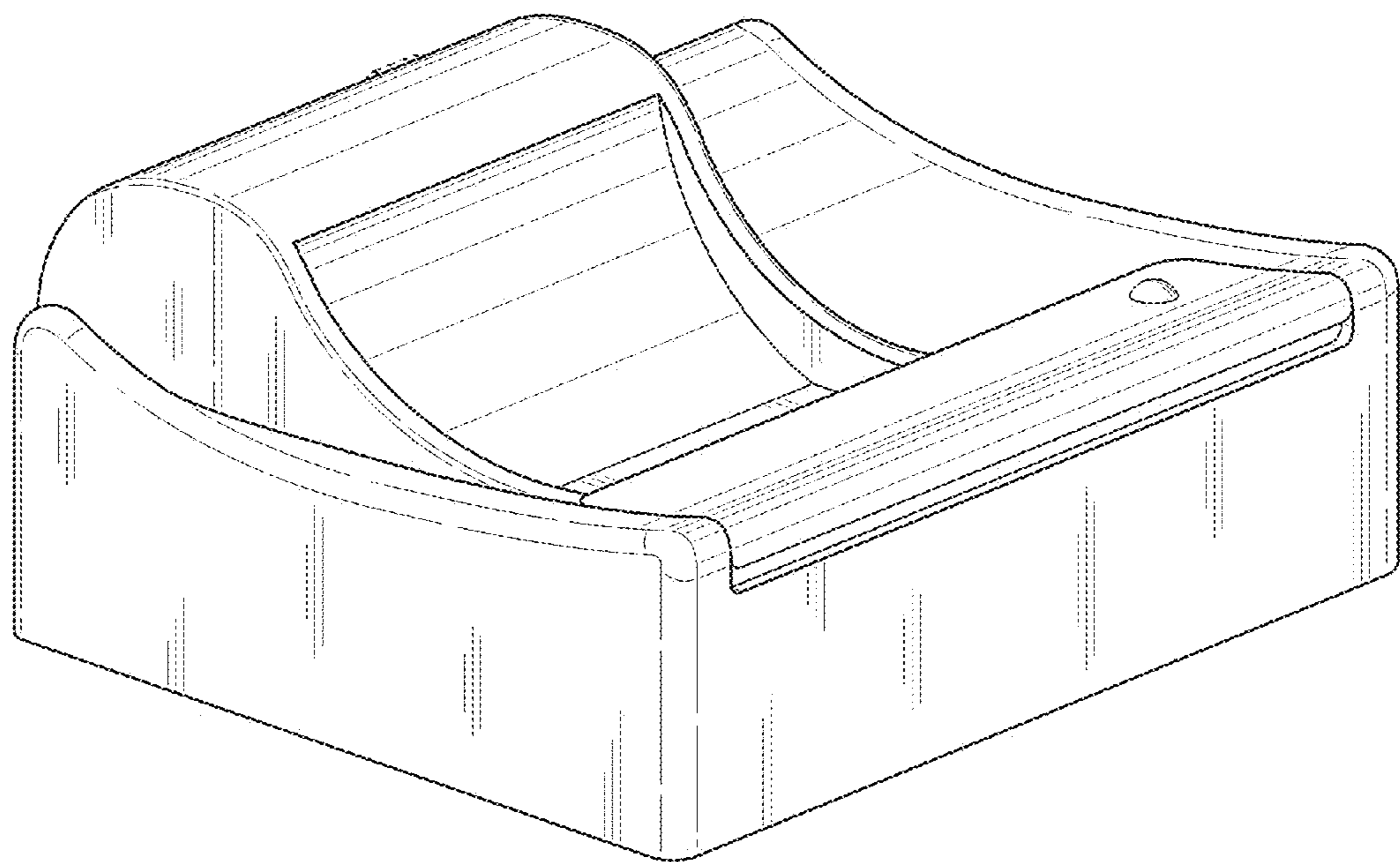


FIG. 1

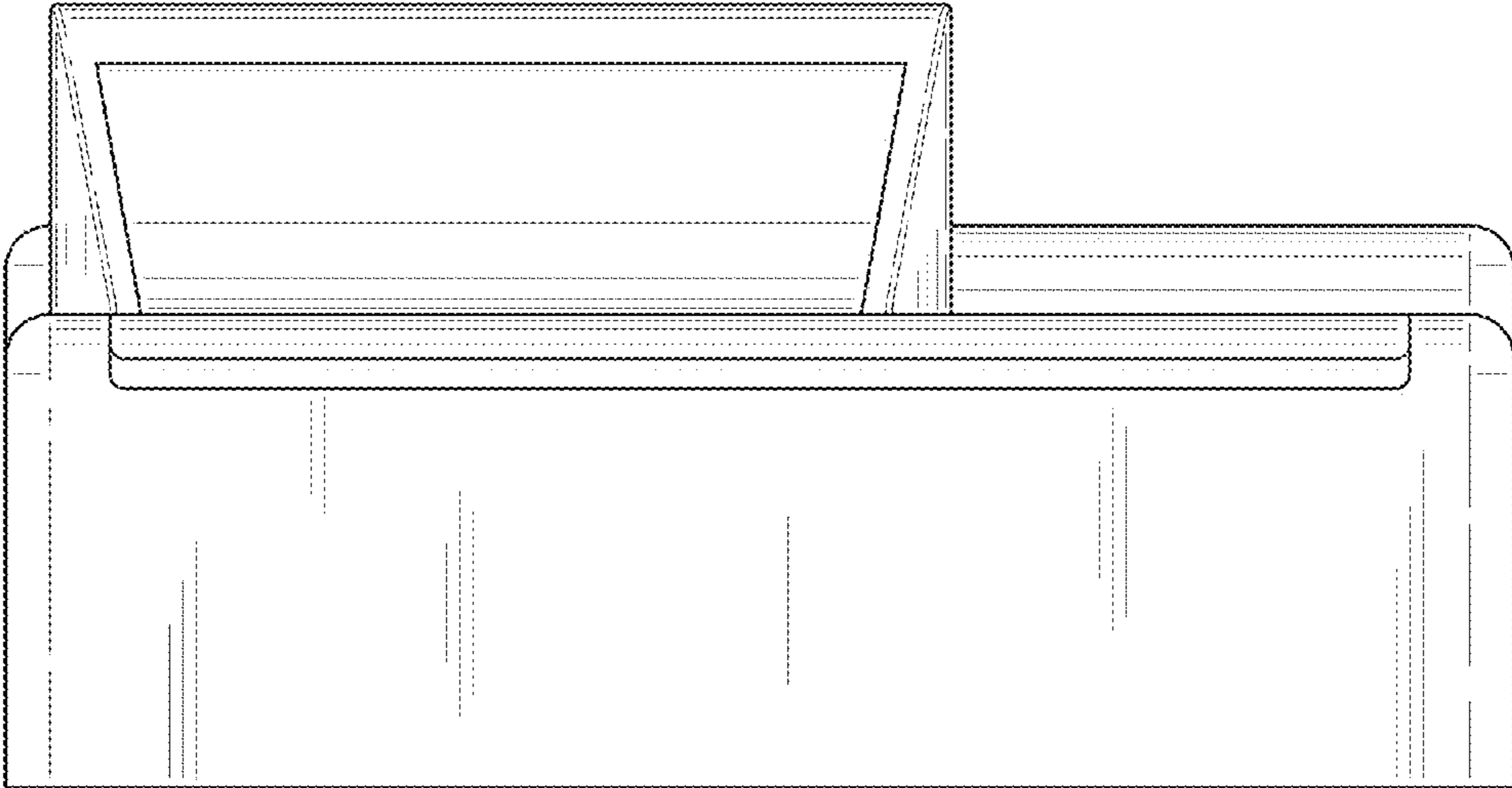


FIG. 2

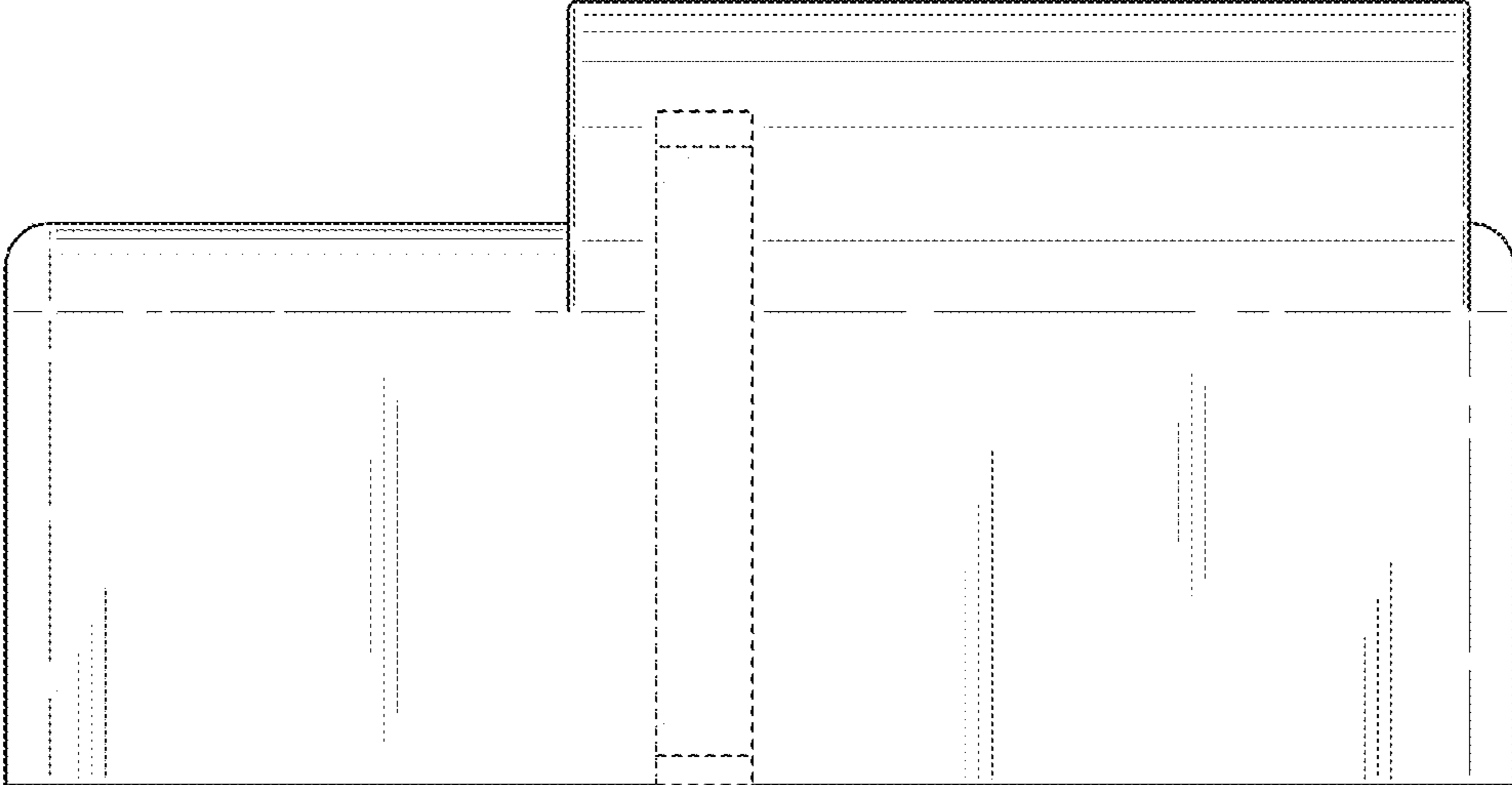


FIG. 3

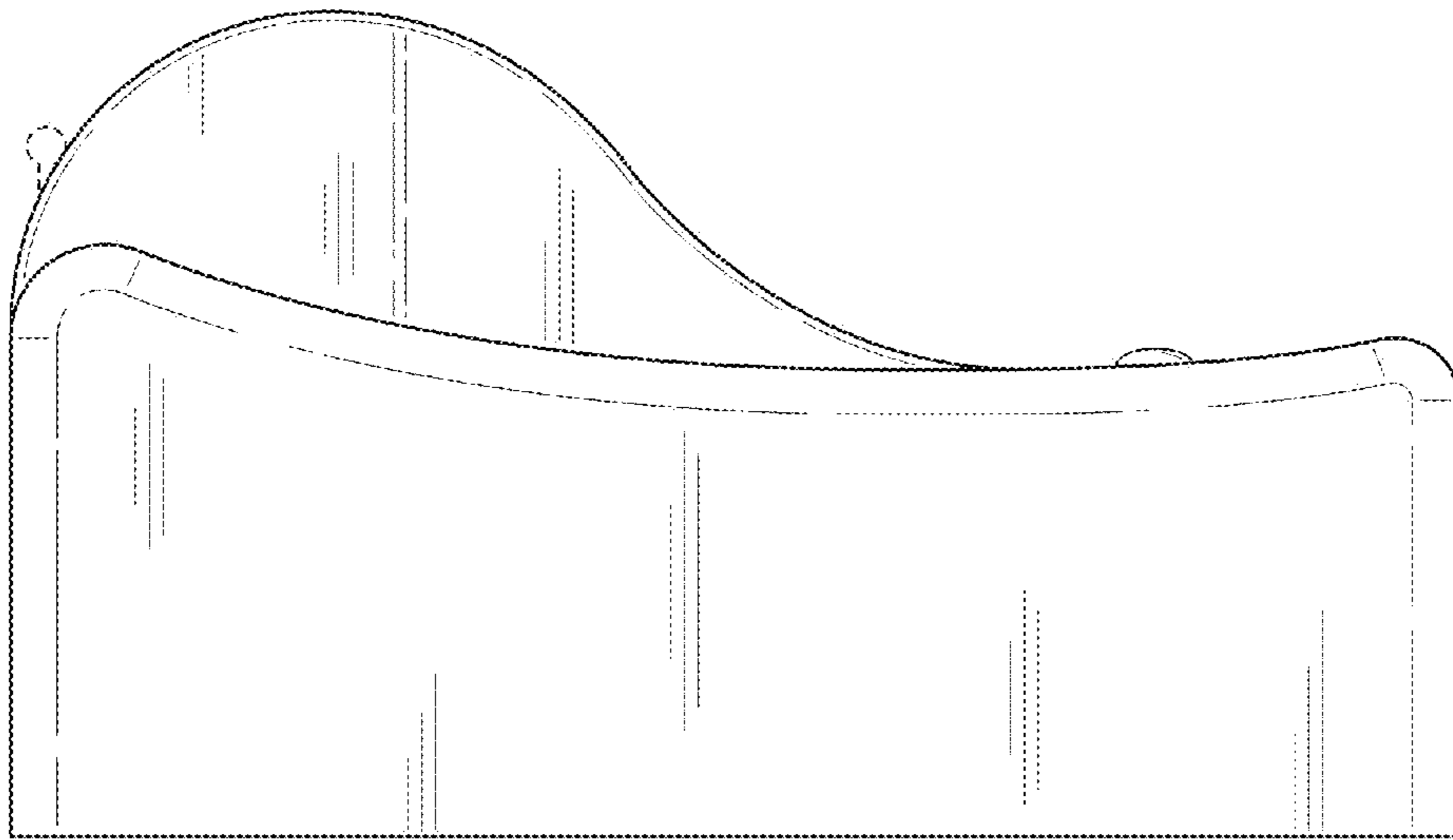


FIG. 4

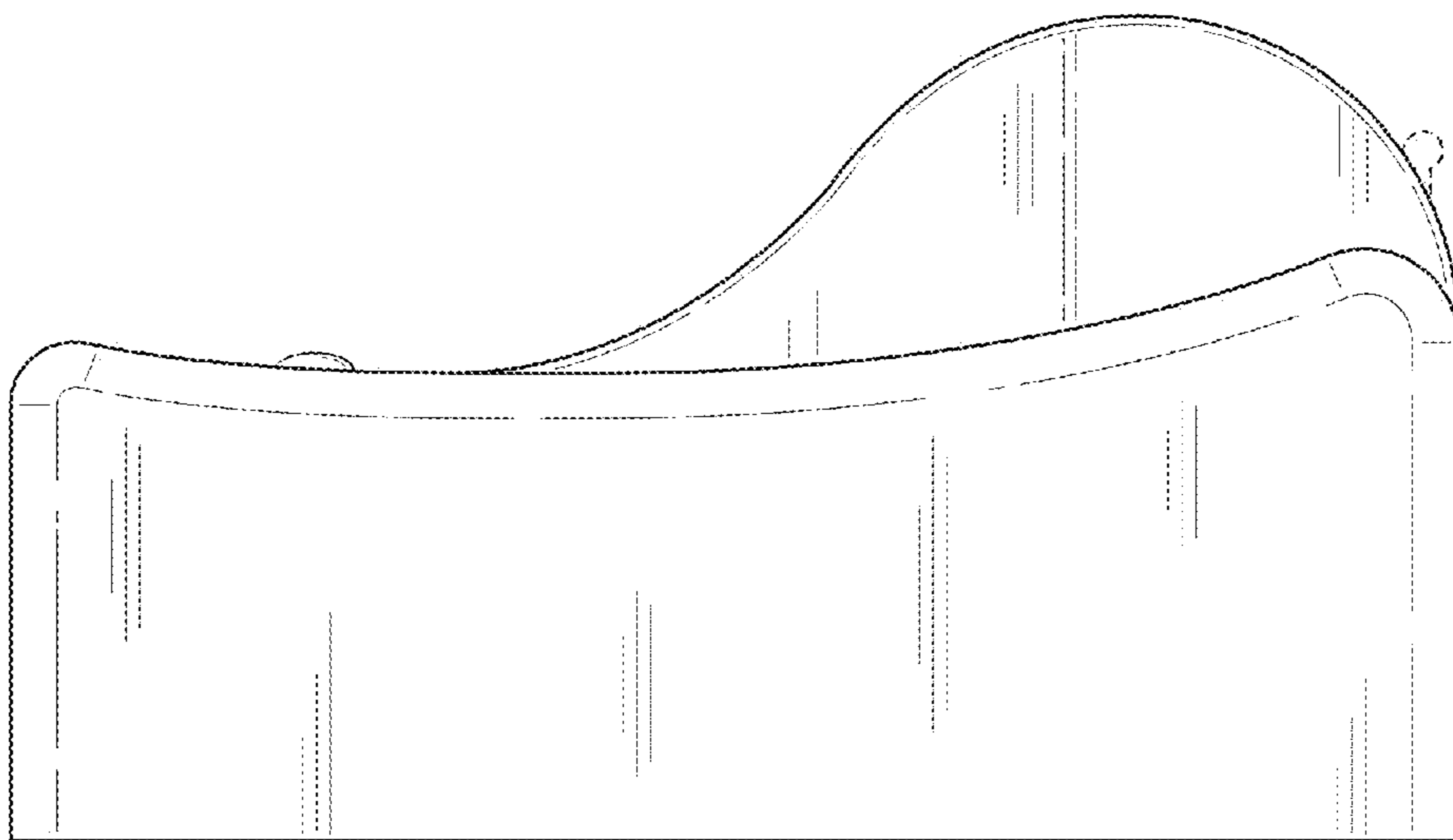


FIG. 5

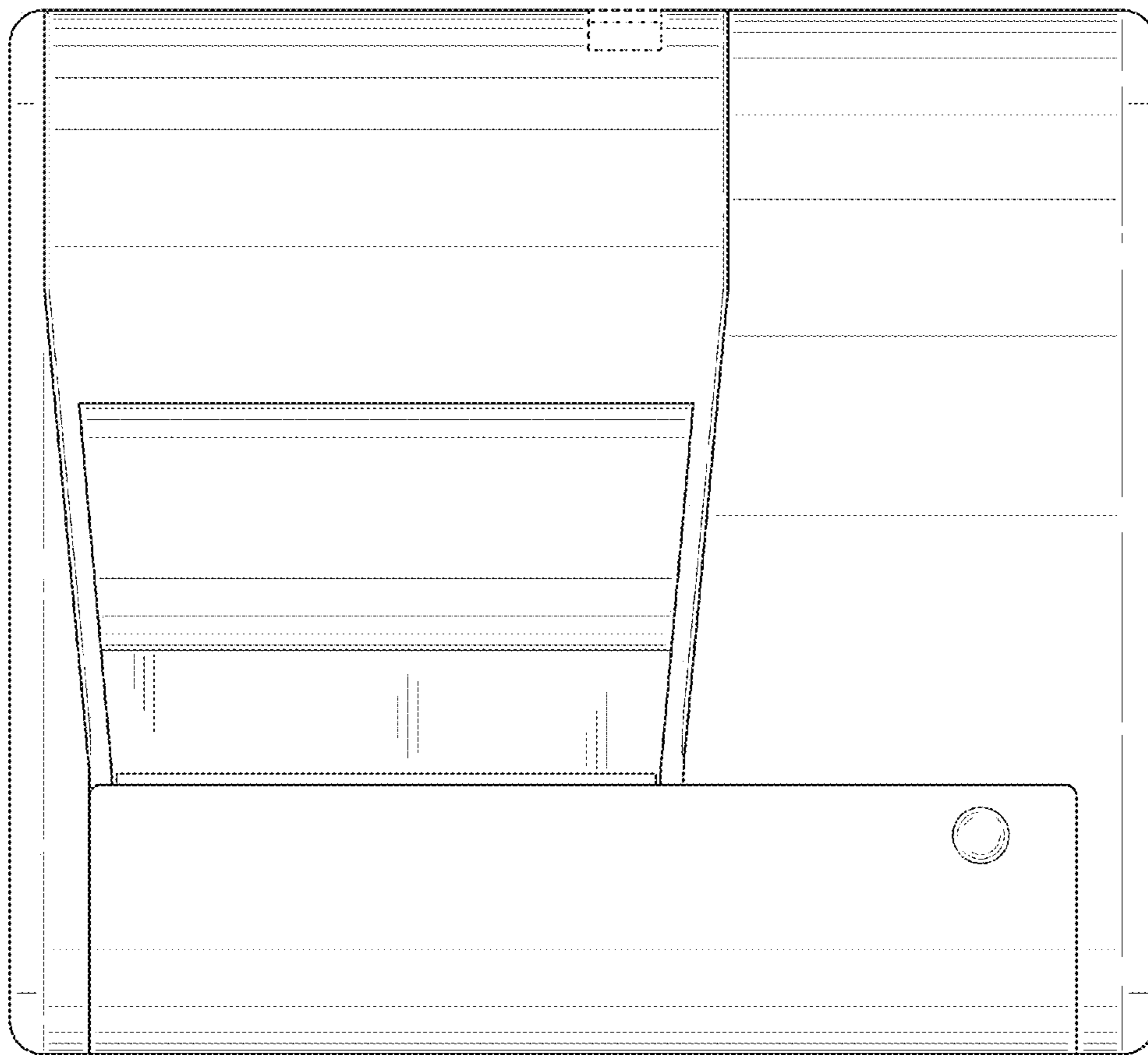


FIG. 6

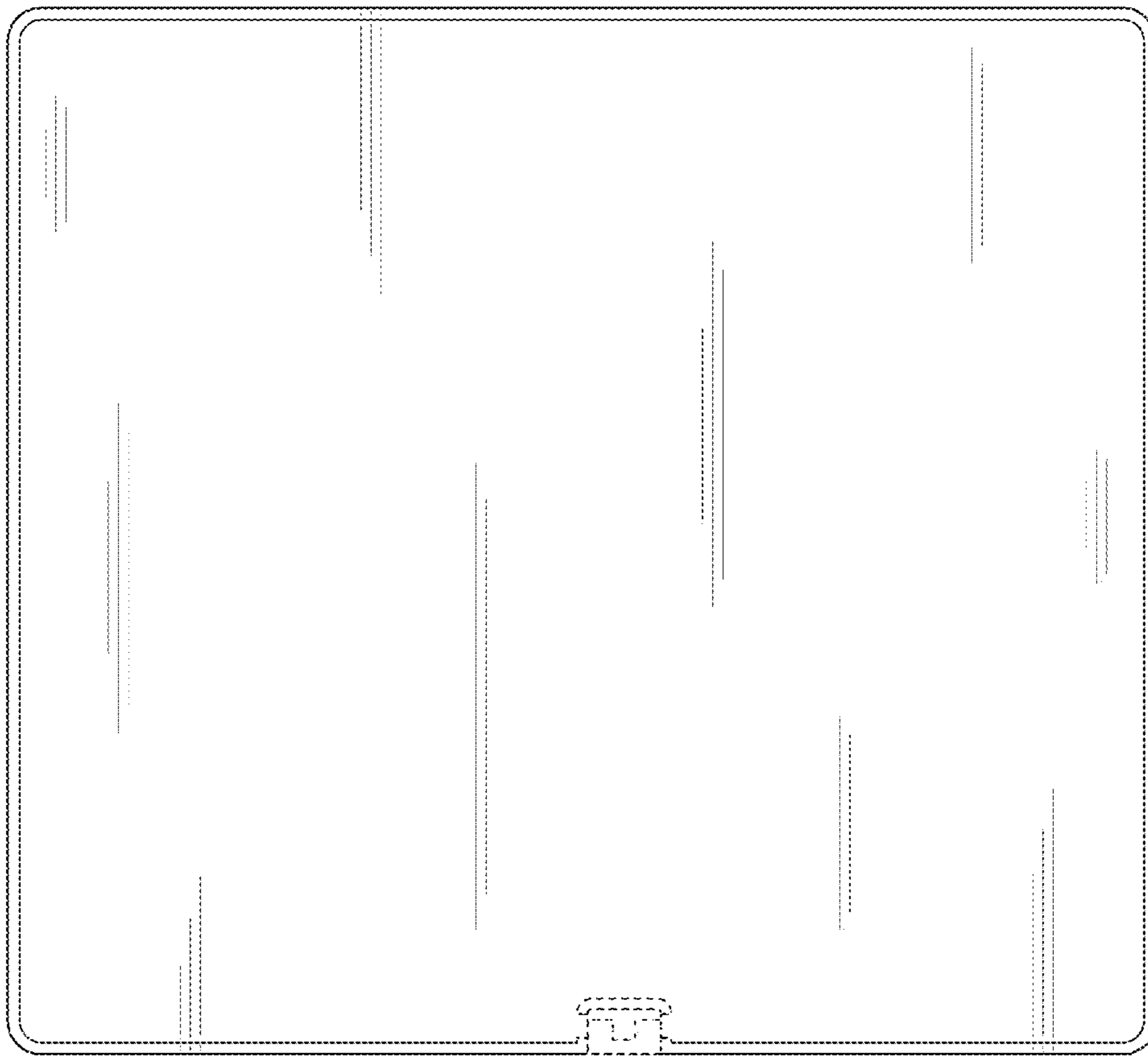


FIG. 7