



US00D769519S

(12) **United States Design Patent**  
**Chen**

(10) **Patent No.:** **US D769,519 S**  
(45) **Date of Patent:** **\*\* Oct. 18, 2016**

(54) **ELECTRONIC CIGARETTE CARTRIDGE**  
(71) Applicant: **Shenzhen Smoore Technology Limited**, Shenzhen, Guangdong (CN)  
(72) Inventor: **Zhiping Chen**, Shenzhen (CN)  
(73) Assignee: **SHENZHEN SMOORE TECHNOLOGY LIMITED**, Shenzhen (CN)

D757,996 S \* 5/2016 Hua ..... D27/101  
D758,647 S \* 6/2016 Liu ..... D27/101  
D758,654 S \* 6/2016 Liu ..... D27/163  
D759,297 S \* 6/2016 Liu ..... D27/101  
2013/0152922 A1\* 6/2013 Benassayag ..... A61M 15/06  
128/202.21  
2013/0319436 A1\* 12/2013 Liu ..... A24F 47/008  
131/329  
2015/0282530 A1\* 10/2015 Johnson ..... A24F 47/008  
392/387  
2015/0335073 A1\* 11/2015 Li ..... A24F 47/008  
131/329  
2015/0342258 A1\* 12/2015 Chen ..... H05B 3/06  
131/329

(\*\*) Term: **14 Years**

(21) Appl. No.: **29/512,785**

\* cited by examiner

(22) Filed: **Dec. 23, 2014**

*Primary Examiner* — Susan Bennett Hattan  
*Assistant Examiner* — Janice Hallmark

(30) **Foreign Application Priority Data**

Sep. 25, 2014 (CN) ..... 2014 3 0359191

(51) **LOC (10) Cl.** ..... **27-02**

(52) **U.S. Cl.**  
USPC ..... **D27/167; D27/163; D27/101**

(58) **Field of Classification Search**  
USPC ..... D27/101, 162, 163-170, 172; D24/110, D24/110.5; D23/360  
CPC .... A61M 15/06; A24F 47/00; A24F 47/002; A24F 47/004; A24F 47/006; A24F 47/008  
See application file for complete search history.

(56) **References Cited**

**U.S. PATENT DOCUMENTS**

D688,415 S \* 8/2013 Kim ..... D27/101  
D724,782 S \* 3/2015 Wu ..... D27/101  
D728,155 S \* 4/2015 Liu ..... D27/101  
D729,441 S \* 5/2015 Hua ..... D27/101  
D752,280 S \* 3/2016 Verleur ..... D27/167

(57) **CLAIM**

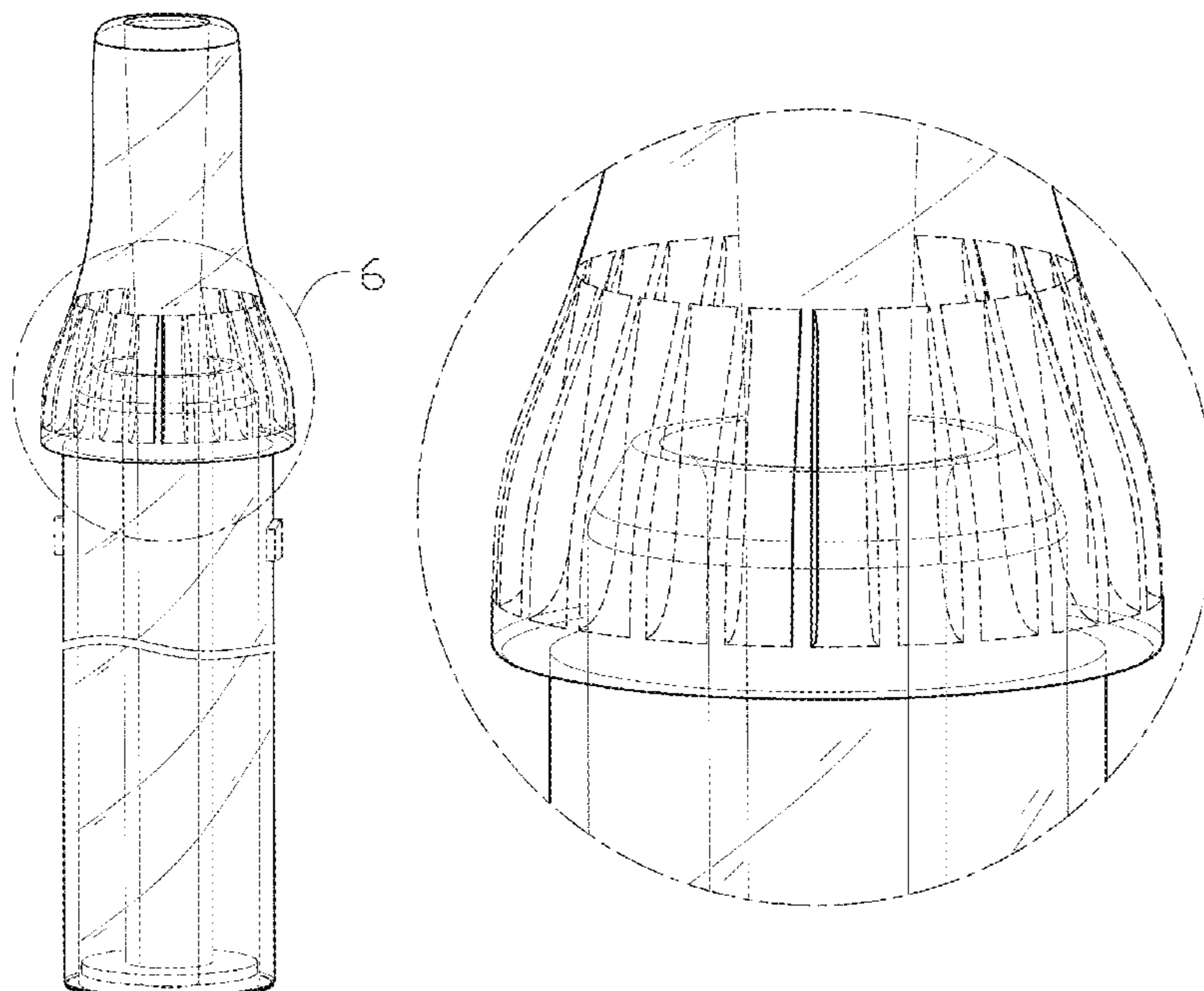
The ornamental design for an electronic cigarette cartridge, as shown and described.

**DESCRIPTION**

FIG. 1 is a front elevational view of an electronic cigarette cartridge showing my new design;  
FIG. 2 is a rear elevational view thereof;  
FIG. 3 is a left side view thereof;  
FIG. 4 is a right side view thereof;  
FIG. 5 is a perspective view thereof;  
FIG. 6 is an enlarged view of portion 6 of FIG. 5; and,  
FIG. 7 is the upper portion of the sectional view taken along line 7-7 of FIG. 4.

The broken lines in the drawings depict parts of the electronic cigarette cartridge that form no part of the claimed design.

**1 Claim, 7 Drawing Sheets**



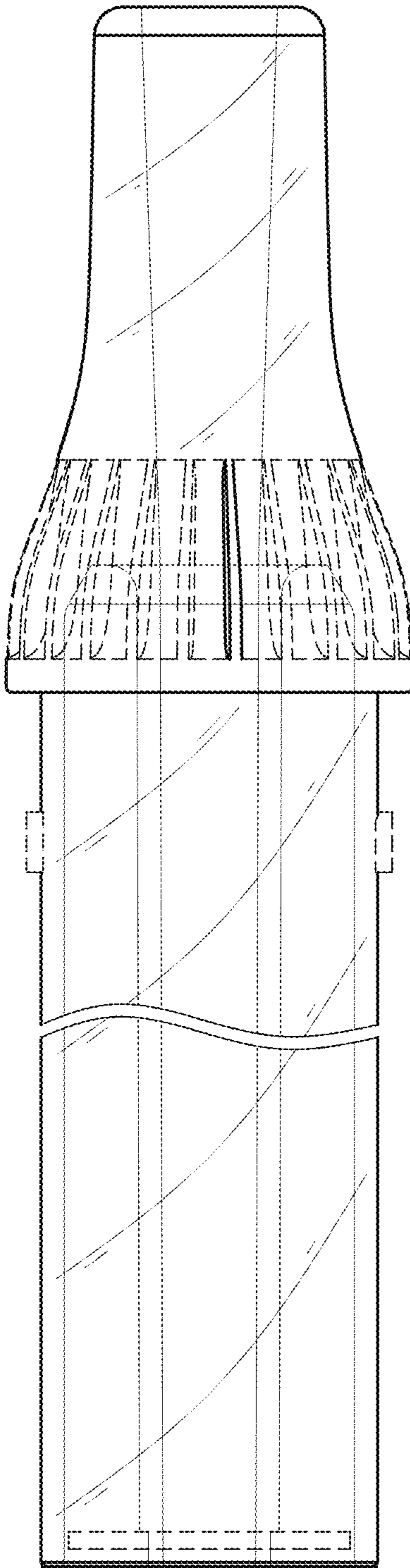


FIG. 1

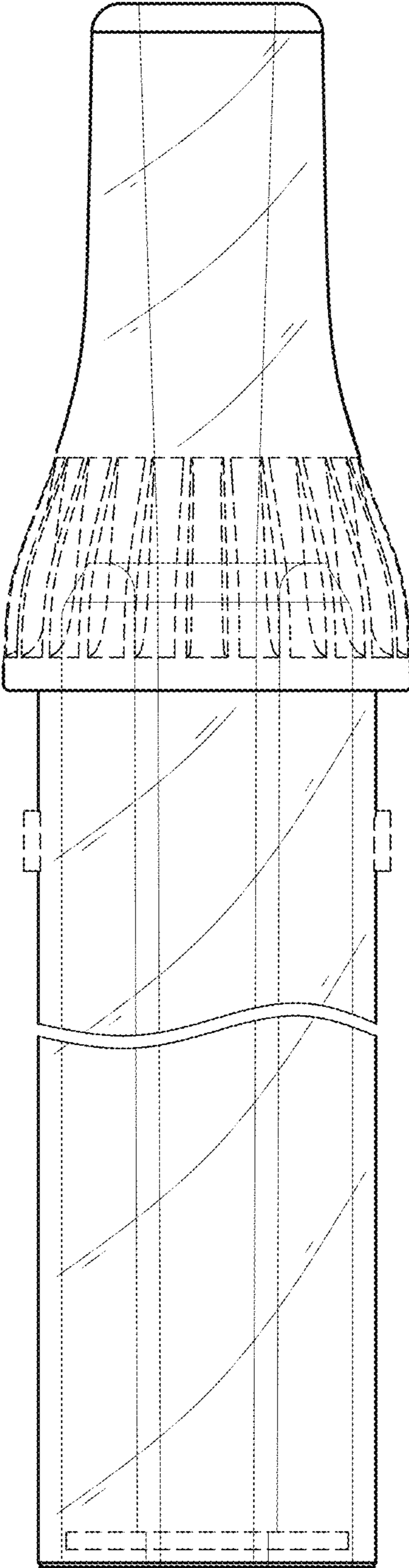


FIG. 2

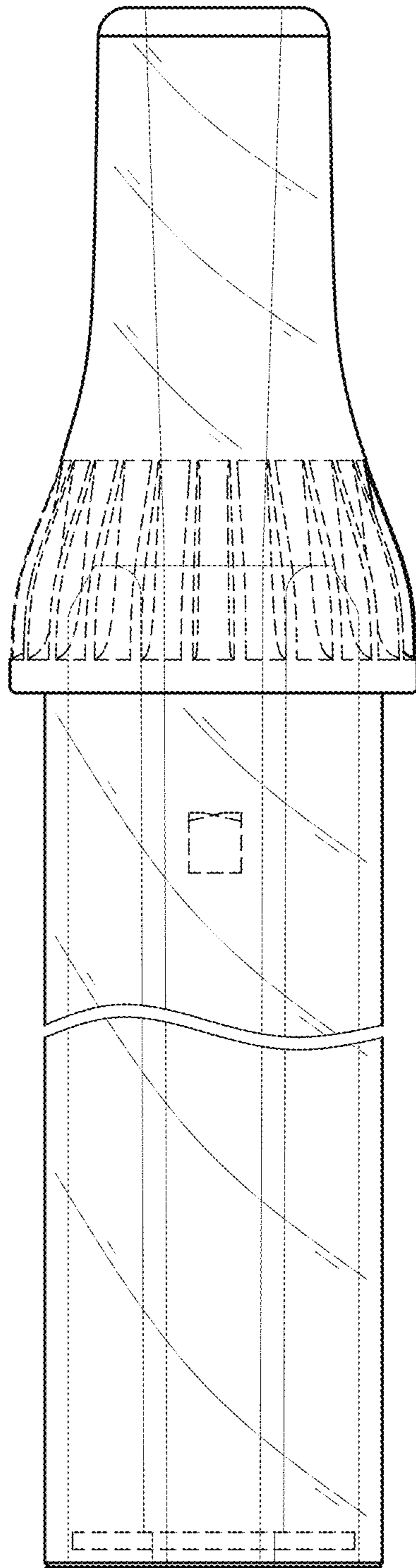


FIG. 3

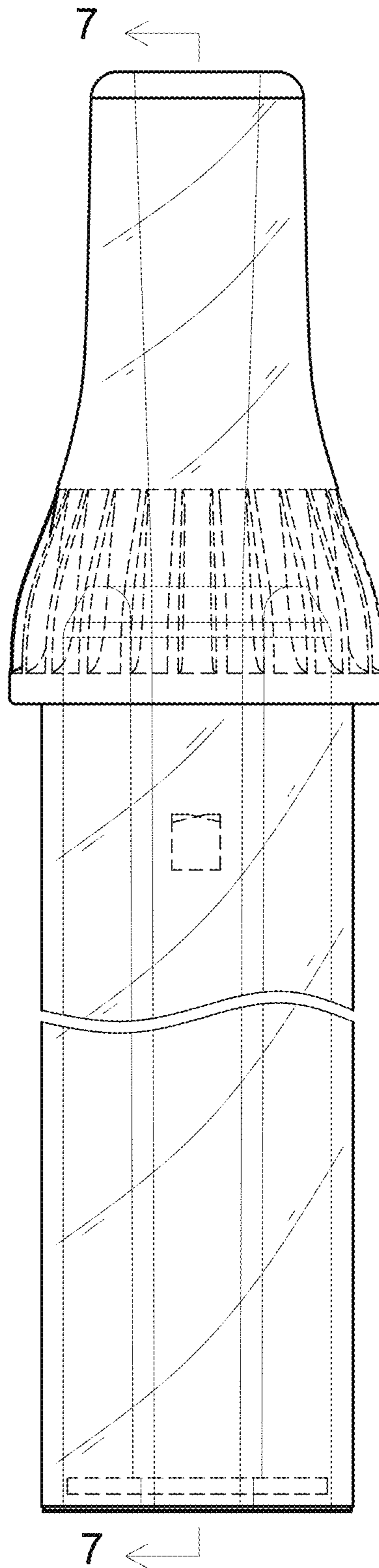


FIG. 4

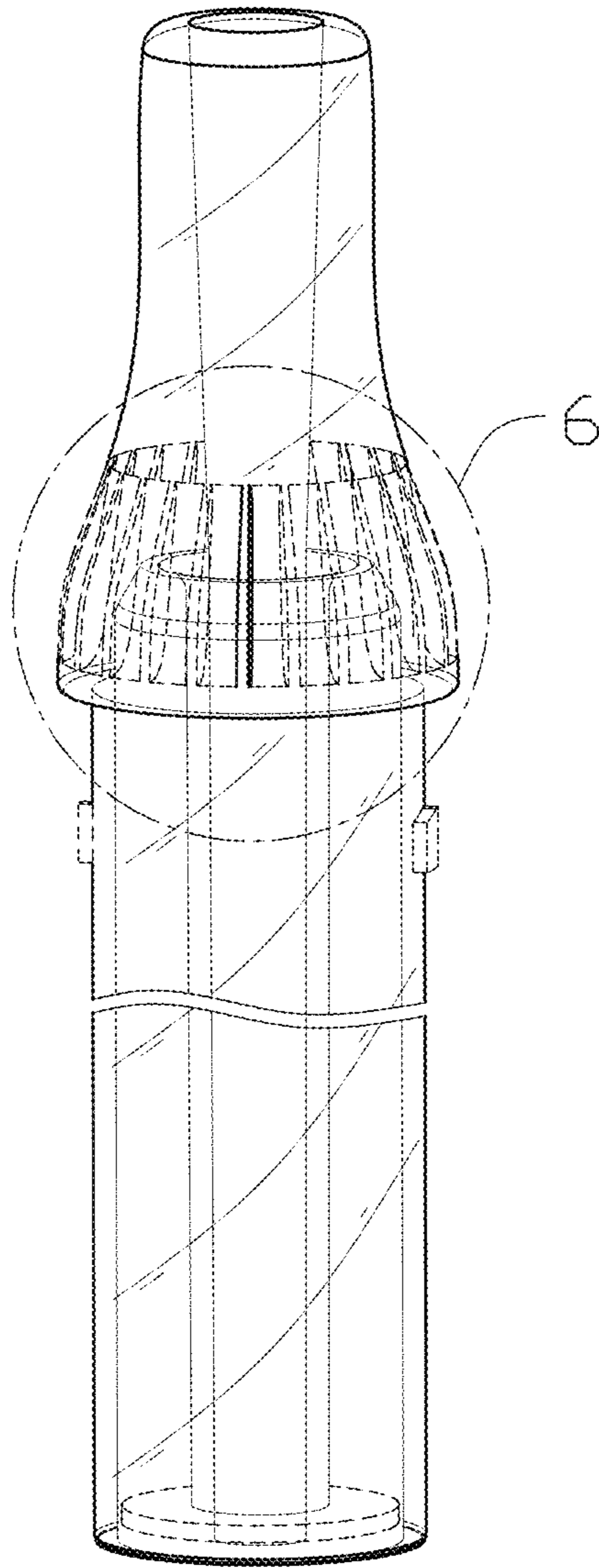


FIG. 5

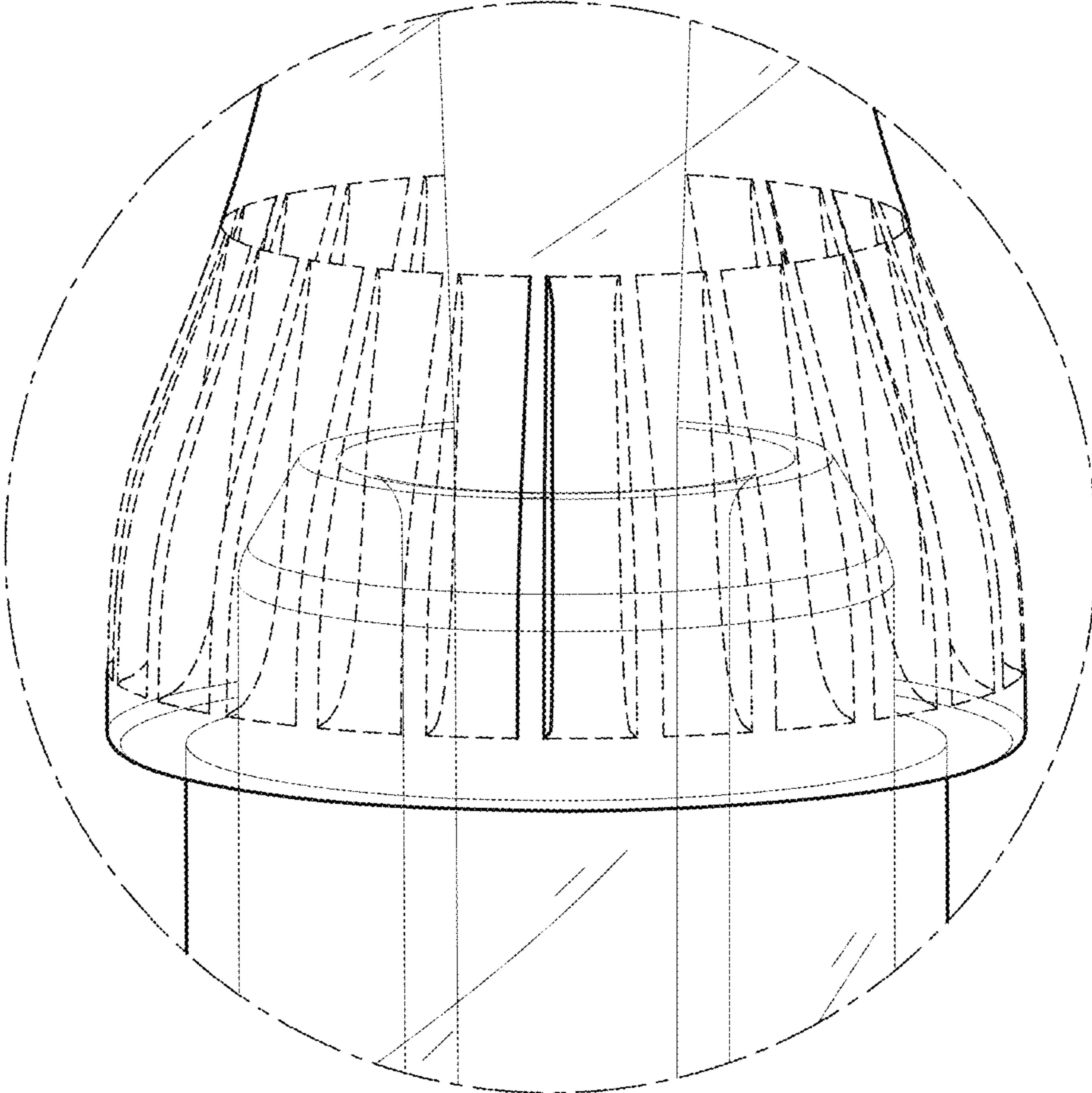


FIG. 6

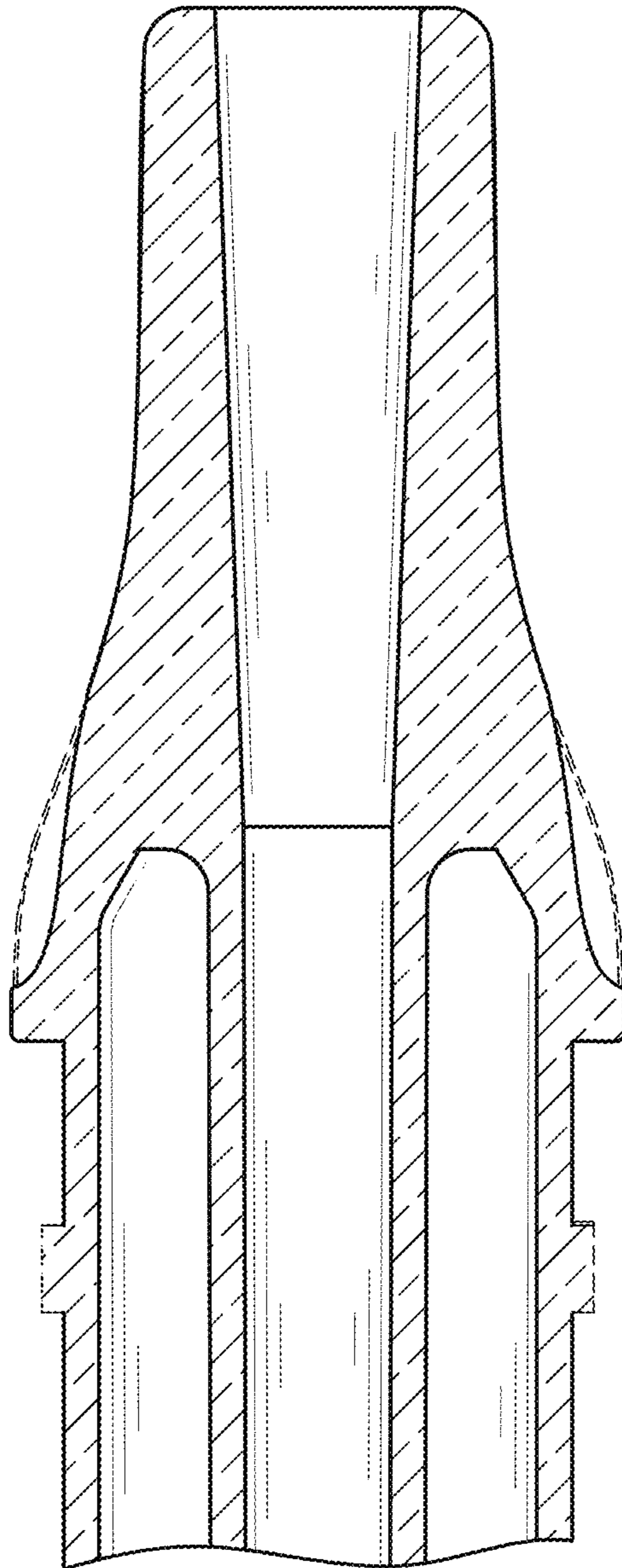


FIG. 7