



US00D769516S

(12) **United States Design Patent** (10) **Patent No.:** **US D769,516 S**
Kovalchick et al. (45) **Date of Patent:** **** Oct. 18, 2016**

- (54) **CENTER MOUNT LAMP SUPPORT**
- (71) Applicant: **Spring City Electrical Mfg. Co.,**
Spring City, PA (US)
- (72) Inventors: **Daniel Kovalchick,** Sinking Spring, PA
(US); **Bryan Rash,** Pottstown, PA (US);
Michael Greck, Spring City, PA (US)
- (73) Assignee: **Spring City Electrical Mfg. Co.,**
Spring City, PA (US)
- (**) Term: **14 Years**
- (21) Appl. No.: **29/498,426**
- (22) Filed: **Aug. 4, 2014**
- (51) **LOC (10) Cl.** **26-99**
- (52) **U.S. Cl.**
USPC **D26/138**
- (58) **Field of Classification Search**
USPC D26/76, 78, 79, 80, 81, 82, 83, 85, 88,
D26/90, 118, 119, 120, 121, 122, 138,
D26/140-142
CPC F21S 4/00; F21S 4/003; F21S 4/006;
F21S 4/007; F21S 4/008; F21S 6/004;
F21S 6/005; F21K 9/54; F21V 15/01; F21V
15/013
See application file for complete search history.

- 8,104,929 B2 * 1/2012 Kovalchick F21S 8/088
362/235
- 8,573,802 B2 * 11/2013 Hong F21V 7/0008
362/241
- D698,963 S * 2/2014 Laporta D26/67
- D710,536 S * 8/2014 Mollaghaffari D26/138
- 2016/0033121 A1 * 2/2016 Kovalchick F21V 29/76
362/249.01

* cited by examiner

Primary Examiner — George D Kirschbaum

Assistant Examiner — Natasha Vujcic

(74) *Attorney, Agent, or Firm* — Drinker Biddle & Reath
LLP

(57) **CLAIM**

The ornamental design for a center mount lamp support, as shown and described.

DESCRIPTION

FIG. 1 is a top right perspective view of a center mount lamp support according to the present invention.

FIG. 2 is a top left perspective view of the center mount lamp support of FIG. 1.

FIG. 3 is a front view of the center mount lamp support of FIG. 1.

FIG. 4 is a rear view of the center mount lamp support of FIG. 1.

FIG. 5 is a right side view of the center mount lamp support of FIG. 1, the left side view being a mirror image.

FIG. 6 is a top view of the center mount lamp support of FIG. 1; and,

FIG. 7 is a bottom view of the medallion holder of FIG. 1.

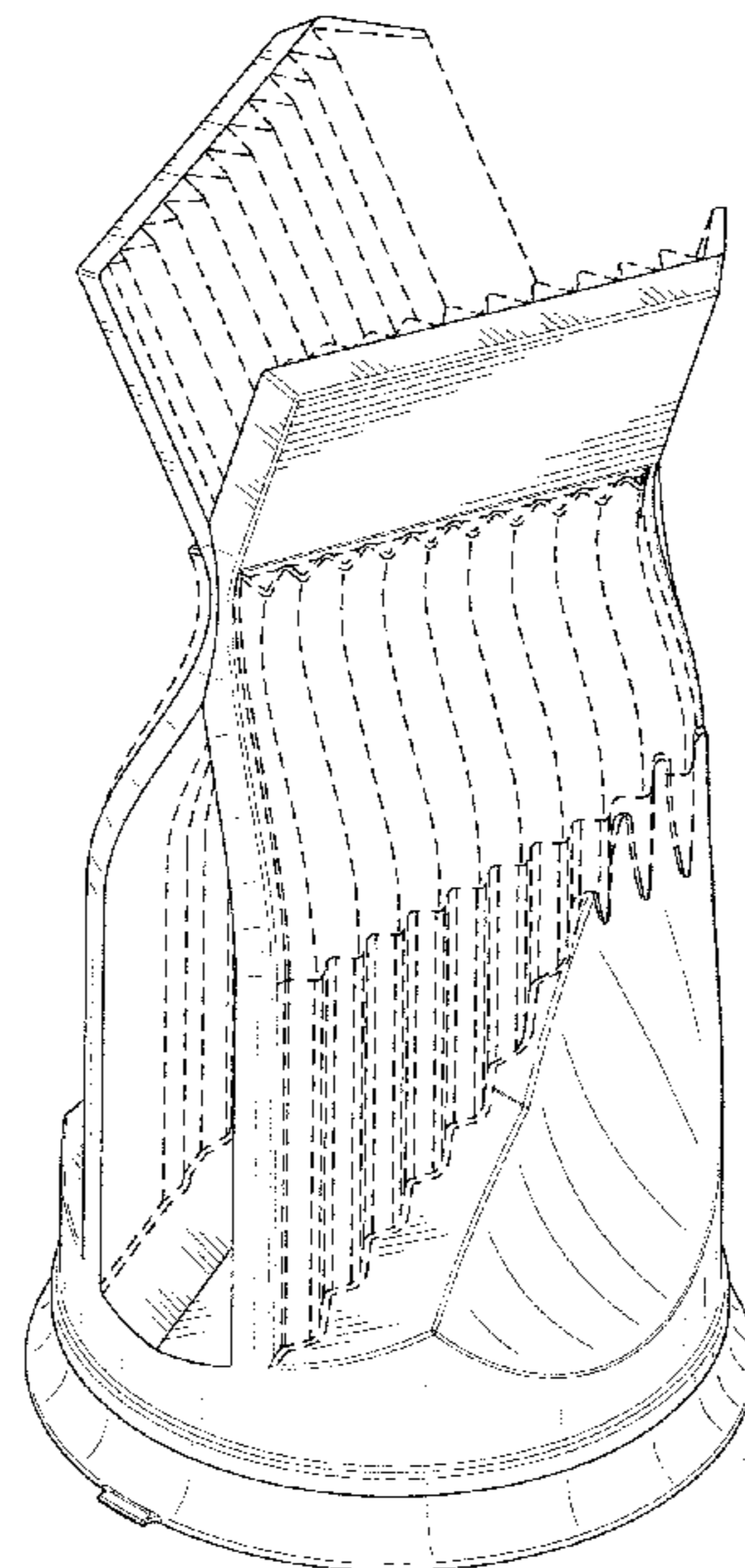
The broken lines in the drawings illustrate portions of the center mount lamp support which forms no part of the claimed design.

(56) **References Cited**

U.S. PATENT DOCUMENTS

- 4,591,960 A * 5/1986 Jones F21V 11/00
362/298
- D424,228 S * 5/2000 Grossman D26/71
- D641,095 S * 7/2011 Yao D26/71
- D643,140 S * 8/2011 Areh D26/71

1 Claim, 6 Drawing Sheets



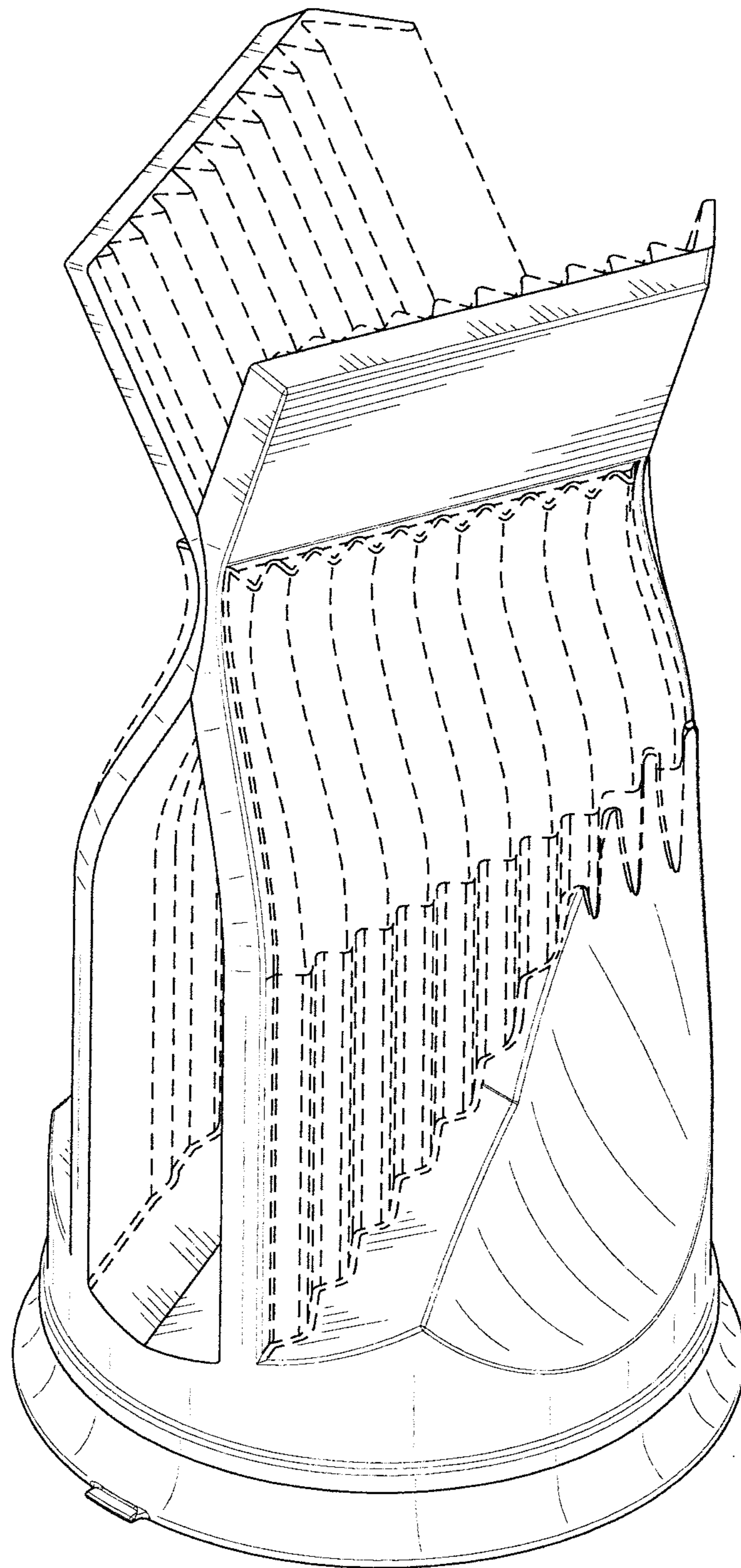


FIG. 1

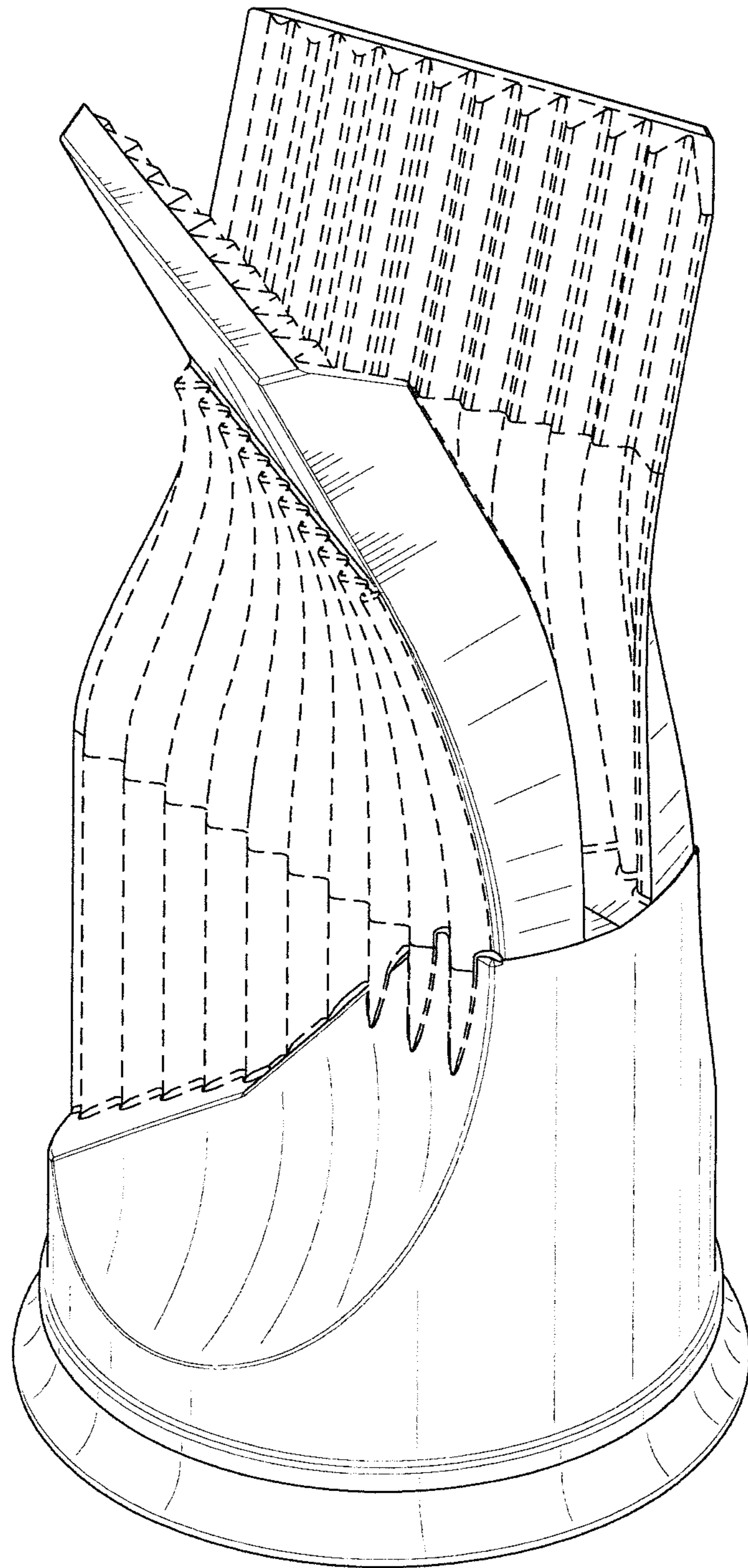


FIG. 2

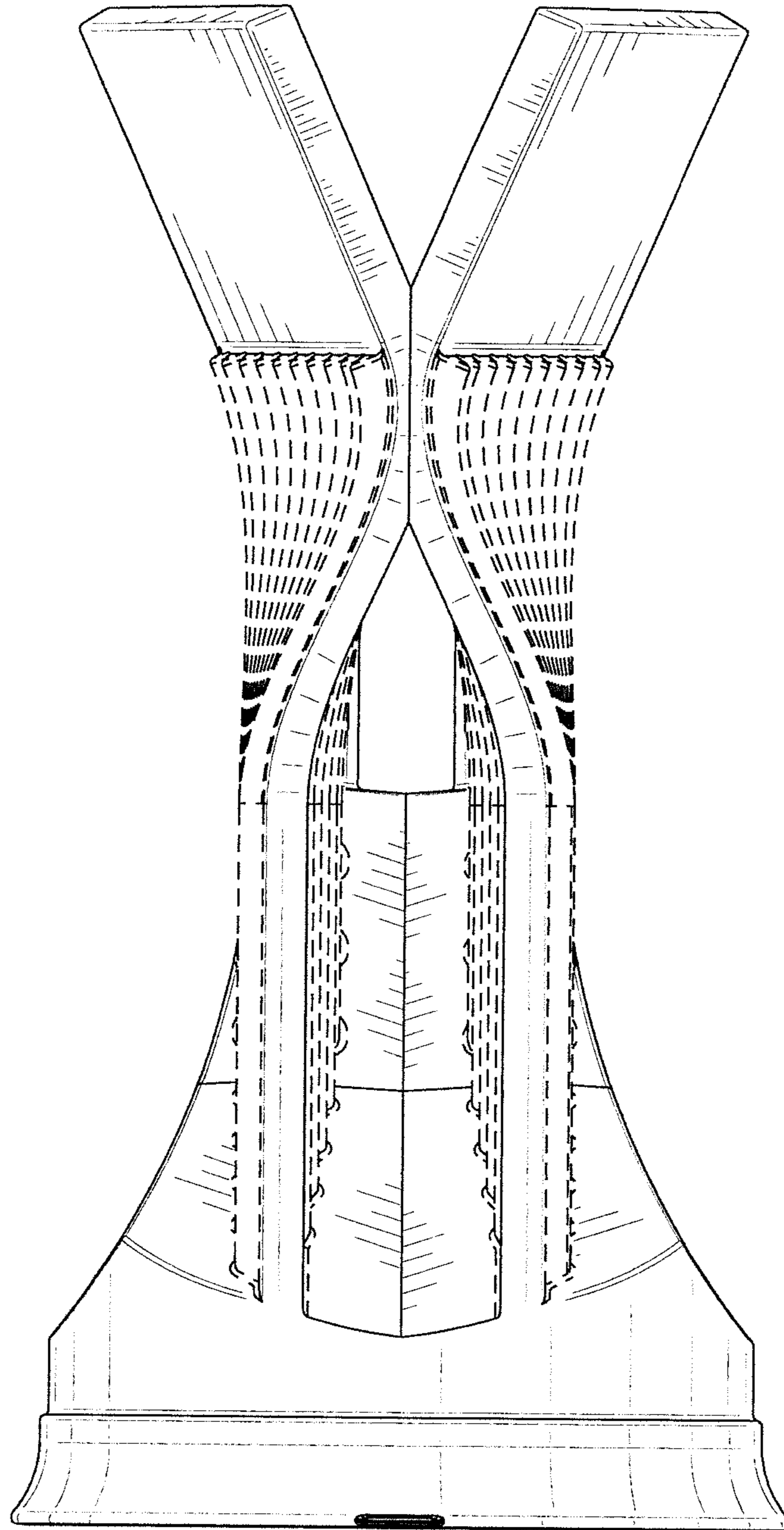


FIG. 3

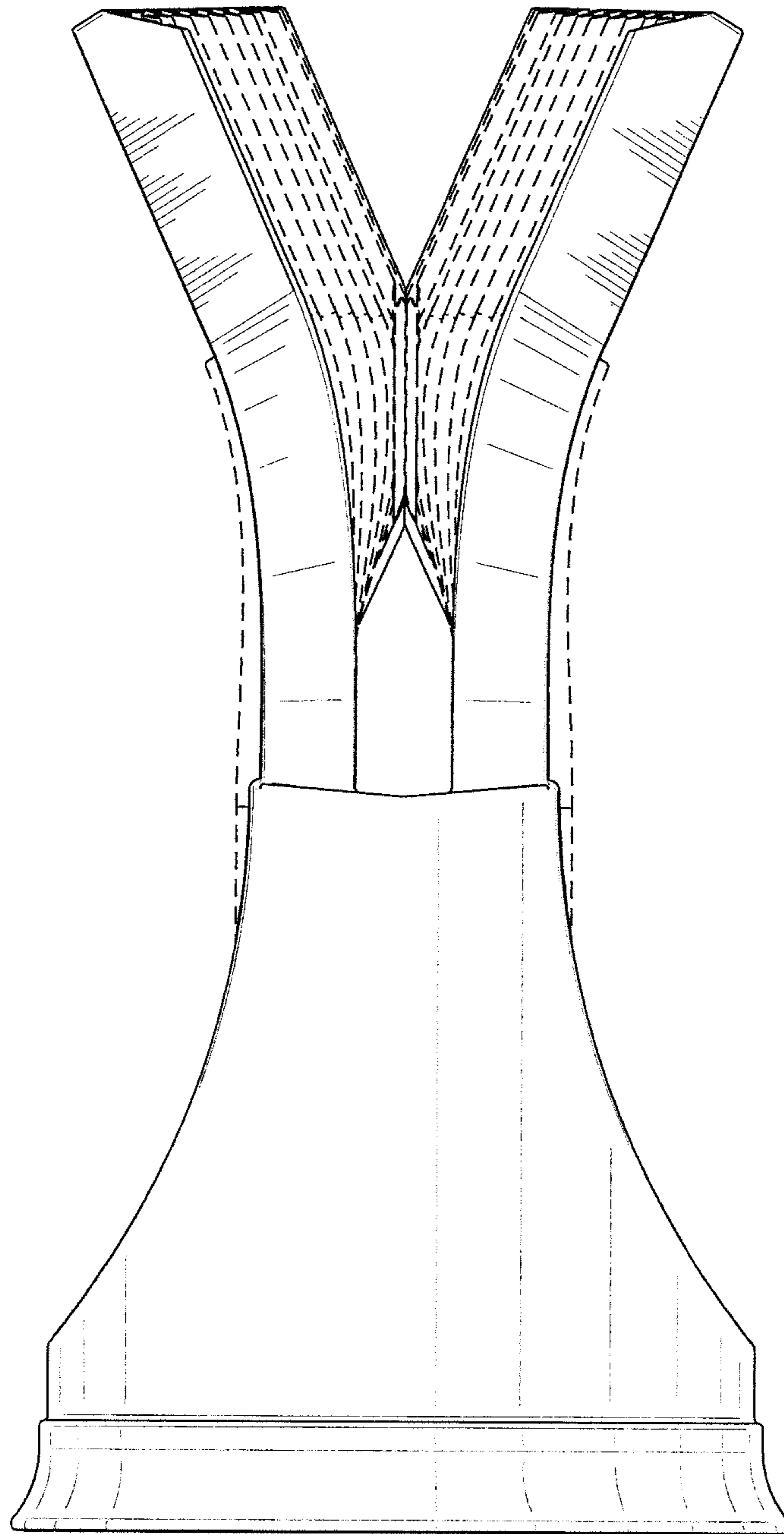


FIG. 4

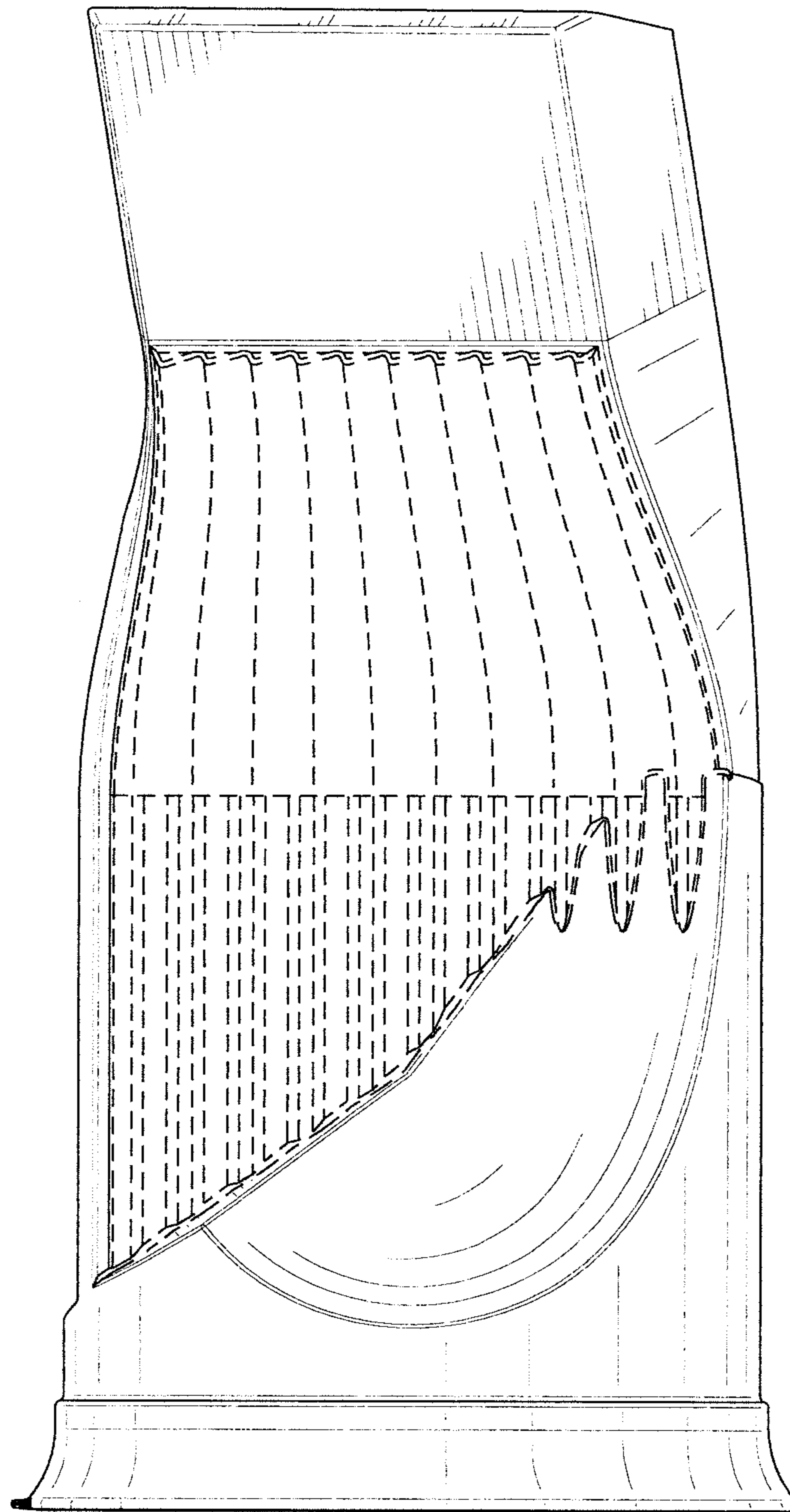


FIG. 5

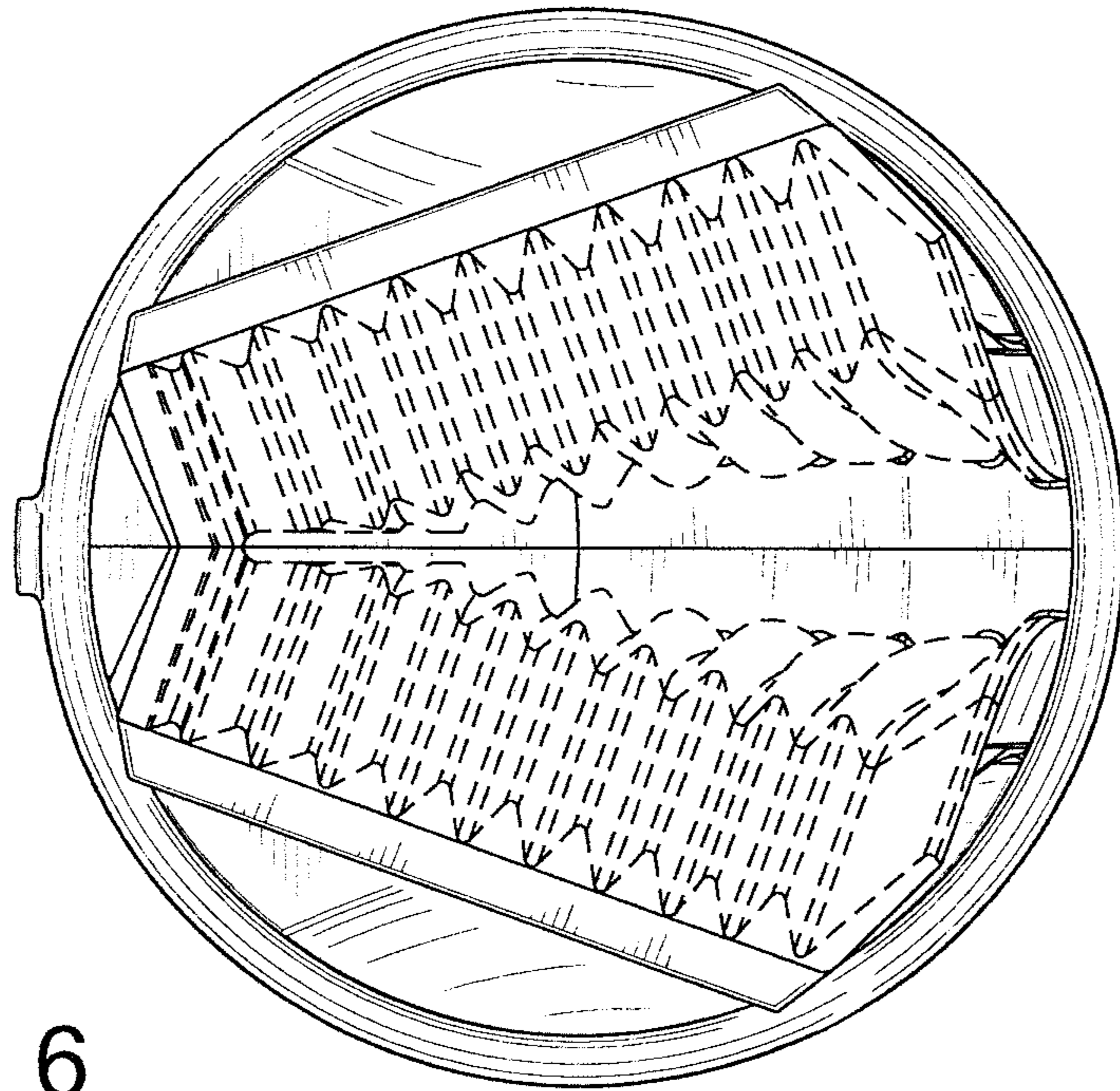


FIG. 6

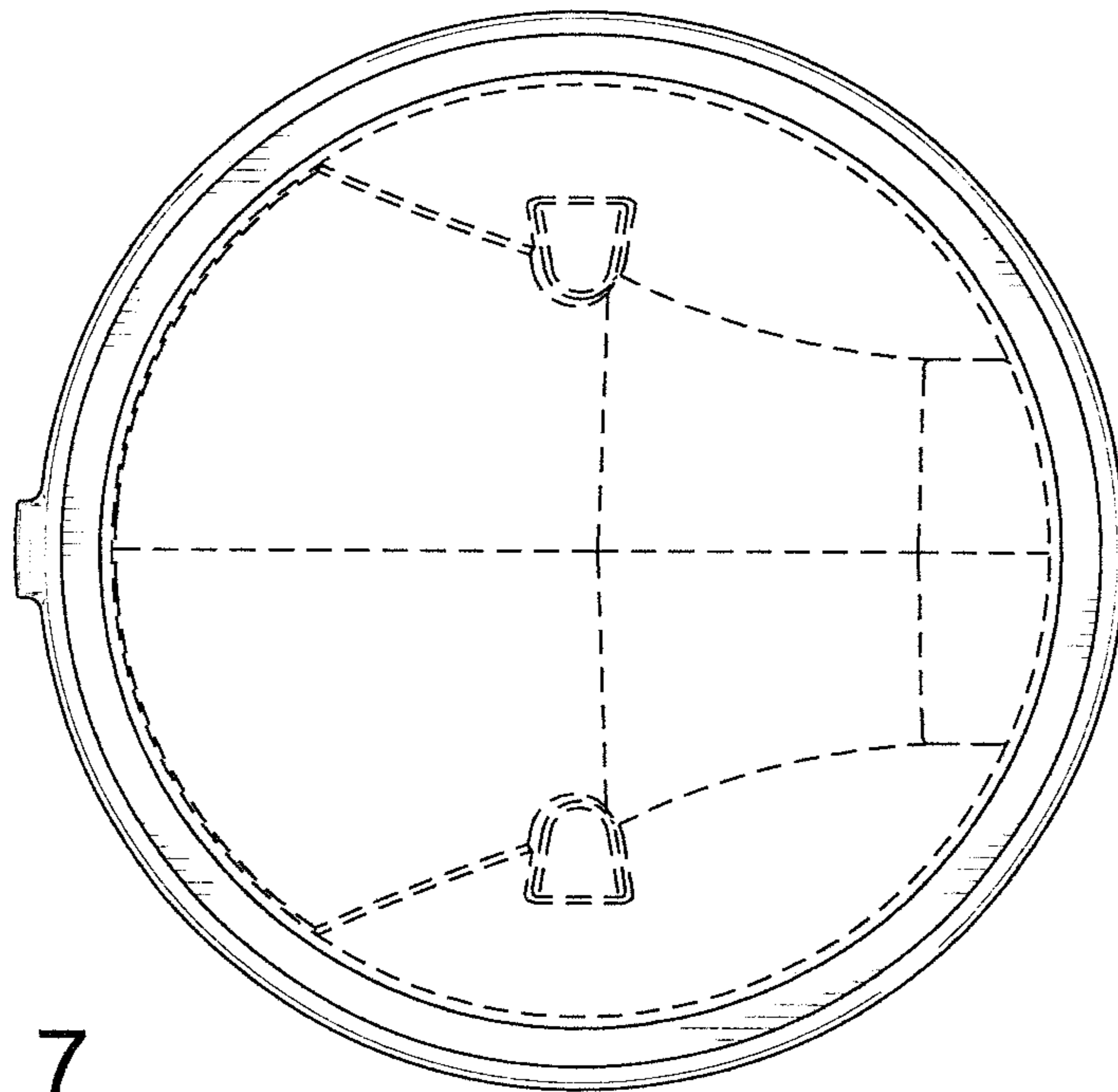


FIG. 7