

US00D769514S

(12) **United States Design Patent**
Reynolds

(10) **Patent No.:** **US D769,514 S**
(45) **Date of Patent:** **** Oct. 18, 2016**

(54) **HORTICULTURE GROW LIGHT**

FOREIGN PATENT DOCUMENTS

(71) Applicant: **IP Holdings, LLC**, Vancouver, WA
(US)

CA 2034710 A1 8/1991
CA 1314529 C 3/1993

(Continued)

(72) Inventor: **Chris Reynolds**, Vancouver, WA (US)

(73) Assignee: **IP Holdings, LLC**, Vancouver, WA
(US)

OTHER PUBLICATIONS

(**) Term: **15 Years**

Apollo Horticulture GLRCTAC 6' Air Cool Tube Grow Light Deluxe Glass Cylinder with Hood Reflector, image post date Oct. 15, 2010, site visted Oct. 3, 2014, (online), <http://www.amazon.com/apollo-horticulture-glrectac-cylinder-reflector/dp/b003qkvv04/ref=pd_sbs_lg_5?ie=utf8&refrid=1y9v9qhh4n5vnctjmfr>.

(21) Appl. No.: **29/546,471**

(Continued)

(22) Filed: **Nov. 23, 2015**

Related U.S. Application Data

Primary Examiner — Kevin Rudzinski

(63) Continuation of application No. 29/506,973, filed on Oct. 22, 2014, now Pat. No. Des. 747,029.

Assistant Examiner — Sean D Lough

(74) *Attorney, Agent, or Firm* — J. Douglas Wells

(51) **LOC (10) Cl.** **26-99**

(52) **U.S. Cl.**
USPC **D26/118**; D26/72

(57) **CLAIM**

The ornamental design for a horticulture grow light, as shown and described.

(58) **Field of Classification Search**

DESCRIPTION

USPC D26/5, 6, 9, 10, 11, 12, 13, 15, 16, 24, D26/51, 61, 72, 76, 79, 80, 81, 85, 86, 88, D26/90, 113, 114, 116, 118, 119, 120, 121, D26/122, 127, 128, 129, 131, 135, 137, 138, D26/143, 144, 180
CPC B01D 46/10; A61L 9/037; B60Q 1/04; B60Q 1/26; F21L 19/00; F21S 8/04; F21S 8/026; F21V 7/00; F21V 7/22; F21V 21/02; F21V 21/04; F21V 29/004; F21V 29/83; F21V 29/2212; F21V 37/002; F21Y 2101/02; F23D 11/443

See application file for complete search history.

FIG. 1 is a perspective view of a horticulture grow light, as viewed from below, showing my new design;
FIG. 2 is a perspective view of the light shown in FIG. 1, as viewed from above;
FIG. 3 is a left side view of the light shown in FIG. 1;
FIG. 4 is a right side view of the light shown in FIG. 1;
FIG. 5 is a front elevation view of the light shown in FIG. 1;
FIG. 6 is a rear elevation view of the light shown in FIG. 1;
FIG. 7 is a top plan view of the light shown in FIG. 1; and
FIG. 8 is a bottom plan view of the light shown in FIG. 1.
The broken-line disclosure shown in the views is understood to represent portions of the article in which the claimed design is embodied, but which form no part of the claimed design.

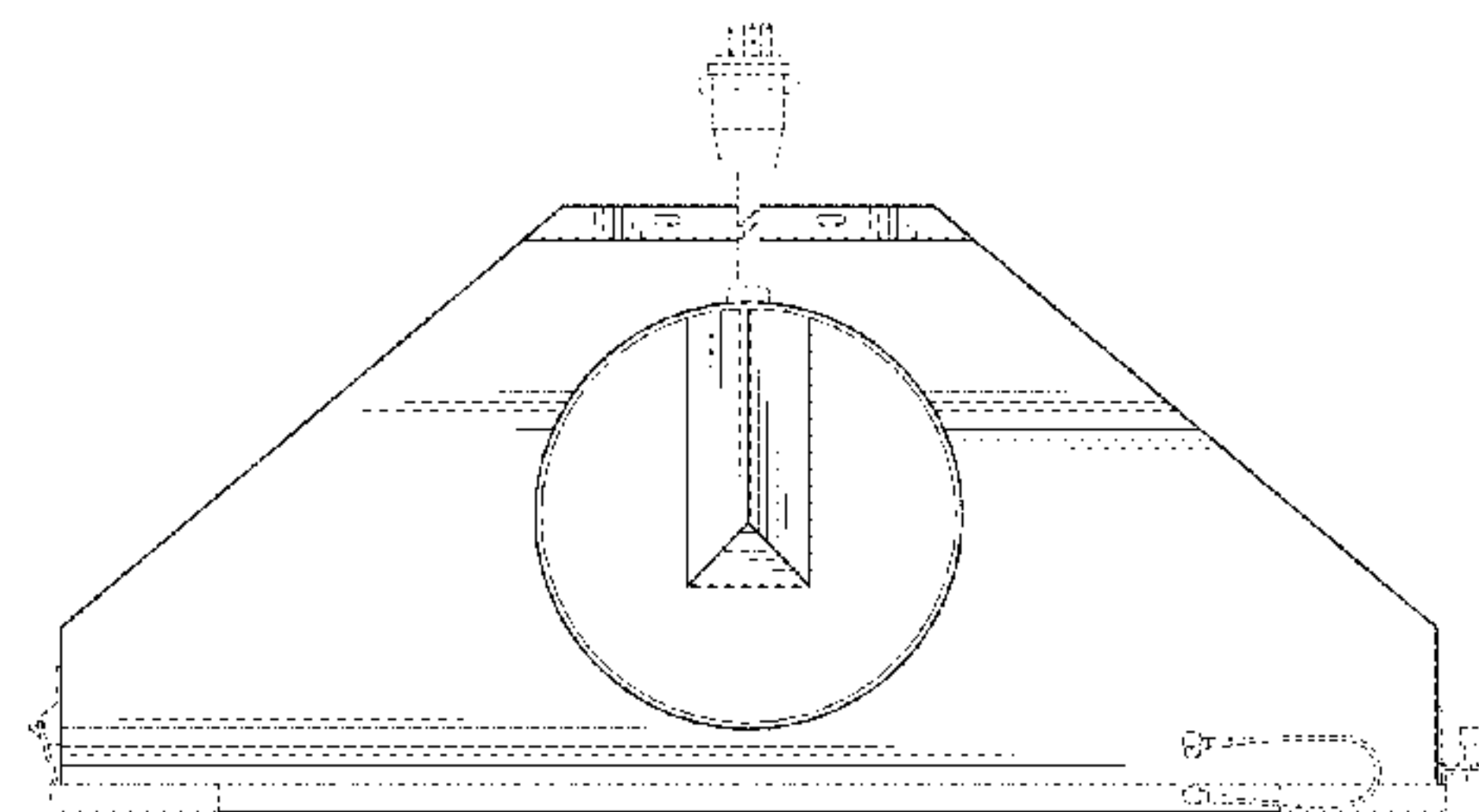
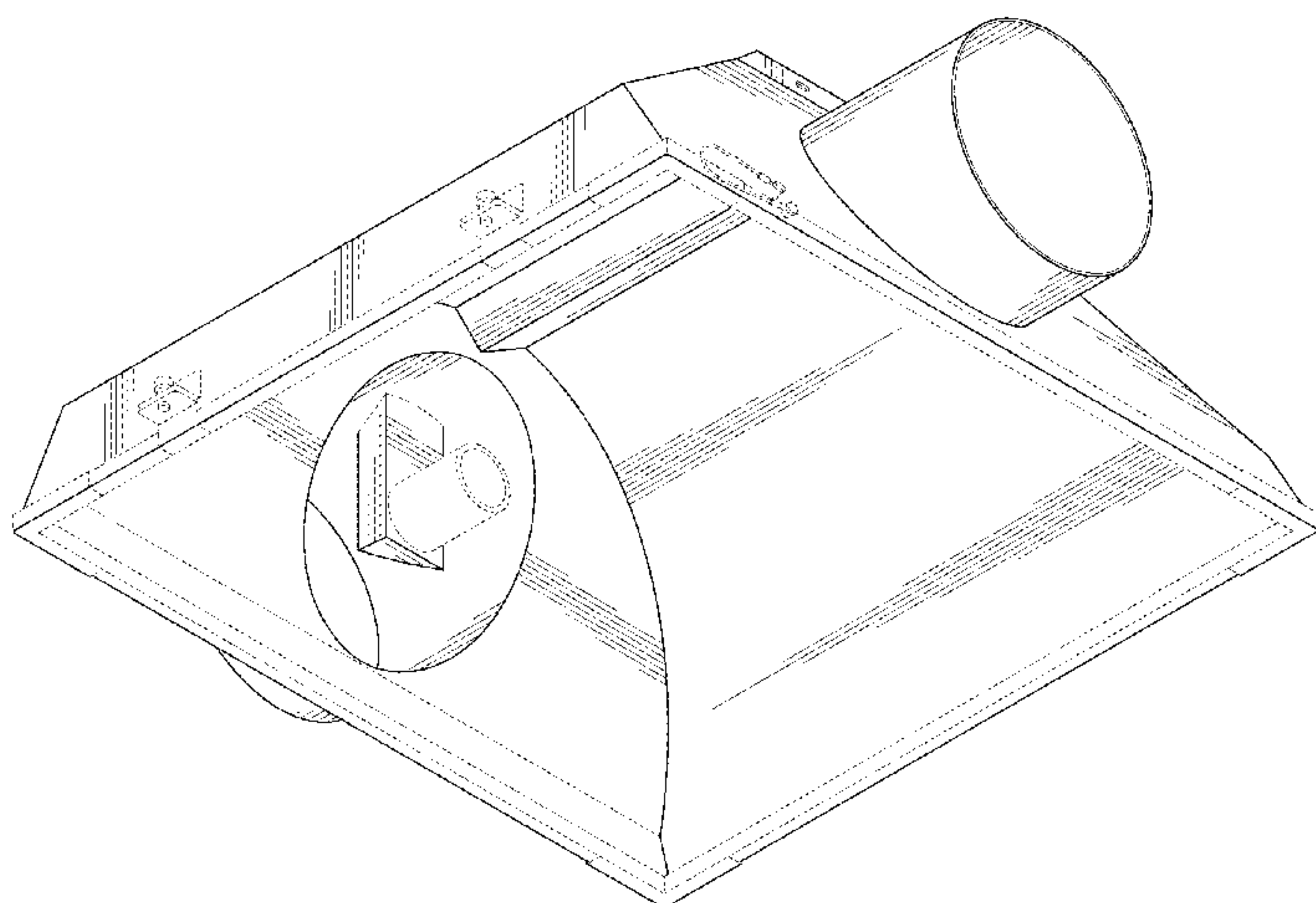
(56) **References Cited**

U.S. PATENT DOCUMENTS

32,722 A 7/1861 Schmidlin
D46,253 S 8/1914 Kopp

(Continued)

1 Claim, 7 Drawing Sheets



(56)

References Cited

U.S. PATENT DOCUMENTS

1,410,945	A	3/1922	Mayfield	D399,328	S	10/1998	Compton	
1,547,026	A	7/1925	Canney	D400,289	S	10/1998	Wardenburg	
D85,049	S	9/1931	Kopp	D401,006	S	11/1998	Edwards	
D85,382	S	10/1931	Guth	D405,976	S	2/1999	Beall	
1,848,734	A	3/1932	Luce	5,896,004	A	4/1999	Feldman et al.	
1,873,310	A	8/1932	Doane	5,924,789	A	7/1999	Thornton	
1,930,070	A	10/1933	Zecher	5,932,955	A	8/1999	Berger et al.	
1,987,705	A	1/1935	Pedersen	5,938,317	A	8/1999	Thornton	
D106,614	S	10/1937	Waterbury	D415,304	S	10/1999	Brown	
2,194,841	A	3/1940	Welch	5,983,564	A	11/1999	Stragnola	
D119,800	S	4/1940	Carter	5,987,697	A	11/1999	Song et al.	
D123,768	S	12/1940	Scribner	5,999,943	A	12/1999	Nori	
D128,049	S	7/1941	Kurtz	D418,626	S	1/2000	Herst	
D135,375	S	3/1943	Biller	D419,248	S	1/2000	Lyons	
2,339,100	A	1/1944	Netting	6,024,468	A	2/2000	Kassay	
2,348,617	A	5/1944	Furedy	6,042,250	A	3/2000	Stragnola	
D174,221	S	3/1955	Hatch	6,051,927	A	4/2000	Graser et al.	
2,740,883	A	4/1956	Kruger	6,053,624	A	4/2000	Cronk	
2,741,694	A	4/1956	Wiig	D425,237	S	5/2000	Scott	
2,998,511	A	8/1961	Kingsley Chan	D425,652	S	5/2000	Brok	
3,025,391	A	3/1962	Golko	D426,010	S	5/2000	Compton	
D193,802	S	10/1962	Thomsen	6,061,690	A	5/2000	Nori	
D195,012	S	4/1963	Hoyle	6,065,849	A	5/2000	Chen	
3,125,301	A	3/1964	Stotter	6,070,173	A	5/2000	Huber	
3,263,071	A	7/1966	Fabbri	6,076,944	A	6/2000	Maranon	
3,272,978	A	9/1966	Jackson	6,079,851	A	6/2000	Altman	
3,322,946	A	5/1967	Cooper	D428,516	S	7/2000	Reo	
3,420,995	A	1/1969	Dunckel	6,094,919	A	8/2000	Bhatia	
D213,391	S	2/1969	Bruno	6,111,739	A	8/2000	Wu et al.	
3,433,941	A	3/1969	Hall	6,152,579	A	11/2000	Reed	
3,675,008	A	7/1972	Hill	D439,008	S	3/2001	Kim	
3,701,898	A	10/1972	McNamara, Jr.	6,230,497	B1	5/2001	Morris et al.	
3,829,677	A	8/1974	DeLlano	6,247,830	B1	6/2001	Winnett	
3,902,059	A	8/1975	McNamara	D445,943	S	7/2001	Littman	
4,028,542	A	6/1977	McReynolds, Jr.	6,257,735	B1	7/2001	Baar	
D245,016	S	7/1977	Barr	6,267,483	B1	7/2001	Hembery	
4,037,096	A	7/1977	Brengord	D447,272	S	8/2001	Smith	
4,078,169	A	3/1978	Armstrong	6,279,012	B1	8/2001	Sexton	
4,175,360	A	11/1979	Mulvey	6,299,327	B1	10/2001	Camarota	
D259,738	S	6/1981	Boschetti	D452,559	S	12/2001	Schonberger	
D266,578	S	10/1982	Moshier	6,343,984	B1	2/2002	Langdon et al.	
D268,287	S	3/1983	Boschetti	6,371,630	B1	4/2002	Unger	
D270,577	S	9/1983	DeVos	D456,927	S	5/2002	Russello	
4,531,180	A	7/1985	Hernandez	D456,928	S	5/2002	Russello	
4,669,033	A	5/1987	Lee	D456,938	S	5/2002	Wardenburg	
D290,662	S	7/1987	Basil	D459,825	S	7/2002	Field	
D300,877	S	4/1989	Cyr	6,488,387	B2	12/2002	Wardenburg	
4,855,884	A	8/1989	Richardson	D469,564	S	1/2003	Brok	
4,893,221	A	1/1990	Friedman	6,527,422	B1	3/2003	Hutchison	
4,933,821	A	6/1990	Anderson	6,548,948	B1	4/2003	Muessli	
4,939,629	A	7/1990	Glanton et al.	6,595,662	B2	7/2003	Wardenburg	
D311,597	S	10/1990	Poot	6,601,972	B2	8/2003	Sei et al.	
4,970,428	A	11/1990	Hayakawa et al.	6,658,652	B1	12/2003	Alexander	
4,980,809	A	12/1990	Baldwin et al.	6,679,619	B2	1/2004	Saieva	
5,065,294	A	11/1991	Poot, Jr.	D486,593	S	2/2004	Griffin	
5,072,349	A	12/1991	Waniga	6,688,759	B1	2/2004	Hadjimichael	
D323,897	S	2/1992	Compton	6,729,383	B1	5/2004	Cannell et al.	
5,192,129	A	3/1993	Figuroa	6,783,263	B1	8/2004	Cronk	
5,199,784	A	4/1993	Hempleman	D499,505	S	12/2004	Benensohn	
5,253,152	A	10/1993	Yang	D504,343	S	4/2005	Ek	
5,353,746	A	10/1994	Del Rosario	6,885,134	B2	4/2005	Kurashima et al.	
D352,126	S	11/1994	Ruud	6,908,212	B2	6/2005	Schultz	
5,440,470	A	8/1995	Ly	7,011,424	B1	3/2006	Poulson	
5,457,450	A	10/1995	Deese	7,083,309	B2	8/2006	Chan	
5,461,554	A	10/1995	Leonetti et al.	7,131,753	B1	11/2006	Edwards, Jr.	
5,486,737	A	1/1996	Hrubowchak et al.	7,156,539	B2	1/2007	Cronk	
5,510,676	A	4/1996	Cottaar et al.	7,175,309	B2	2/2007	Craw et al.	
D373,000	S	8/1996	Brady	D542,460	S	5/2007	Hargreaves	
5,570,947	A	11/1996	Felland	D543,652	S	5/2007	Hargreaves	
D376,437	S	12/1996	Karlo	D543,654	S	5/2007	Hargreaves	
5,621,267	A	4/1997	Shaffner	D543,655	S	5/2007	Hargreaves	
D383,243	S	9/1997	Fry	7,213,948	B2	5/2007	Hein	
5,698,947	A	12/1997	Choi	D544,136	S	6/2007	Hargreaves	D26/118
5,702,179	A	12/1997	Sidwell	D544,138	S	6/2007	Hargreaves	D26/118
D396,319	S	7/1998	Sutton	D544,139	S	6/2007	Hargreaves	
				D544,626	S	6/2007	Hargreaves	
				D544,983	S	6/2007	Hargreaves	
				D544,984	S	6/2007	Hargreaves	
				D544,985	S	6/2007	Hargreaves	

(56)

References Cited

U.S. PATENT DOCUMENTS

D544,987 S	6/2007	Hargreaves	D710,528 S	8/2014	Wardenburg
D544,994 S	6/2007	Hargreaves	8,801,235 B2	8/2014	Yurich
D544,995 S	6/2007	Hargreaves	D713,953 S	9/2014	Jepson
D545,460 S	6/2007	Mason, II	D714,988 S	10/2014	Park
D545,484 S	6/2007	Hargreaves	D715,994 S	10/2014	Klus
D545,485 S	6/2007	Hargreaves	D720,488 S	12/2014	Toyohisa
D545,990 S	7/2007	Hargreaves	D720,505 S	12/2014	Kersten
D545,994 S	7/2007	Hargreaves	D720,876 S	1/2015	Haverfield
D545,996 S *	7/2007	Hargreaves D26/118	D721,844 S	1/2015	Lay
7,360,927 B2	4/2008	Oka	D722,654 S	2/2015	Martone
D569,024 S	5/2008	Redfern	D725,819 S *	3/2015	Reynolds D26/118
D572,858 S	7/2008	Santoro	D725,820 S	3/2015	Hargreaves
7,445,363 B2	11/2008	Vanden Eynden	D726,359 S	4/2015	Grigore
7,524,090 B2	4/2009	Hargreaves	9,016,892 B1	4/2015	Scribante
7,534,011 B2	5/2009	Townsley	9,016,907 B2	4/2015	Stanley
D603,087 S	10/2009	Mo et al.	D728,848 S	5/2015	Reyes
7,617,057 B2	11/2009	May et al.	D729,435 S	5/2015	Arndt
D605,342 S	12/2009	Chung	D730,556 S	5/2015	Toyohisa
D608,490 S	1/2010	Chung	D731,103 S	6/2015	Wilke
7,641,367 B2	1/2010	Hargreaves et al.	D731,701 S *	6/2015	Hargreaves D26/118
7,654,702 B1	2/2010	Ding	D732,233 S *	6/2015	Reynolds D26/118
D613,900 S *	4/2010	Hargreaves D26/145	D732,234 S	6/2015	Rashidi Doust
D614,801 S	4/2010	Collins et al.	D732,235 S *	6/2015	Reynolds D26/118
7,722,228 B2	5/2010	Broer	D732,236 S *	6/2015	Reynolds D26/118
D617,028 S	6/2010	Verfuert	D733,347 S	6/2015	Dungan
D620,190 S	7/2010	Chung	D733,952 S	7/2015	Lay
7,771,086 B2	8/2010	Goverde	D733,960 S	7/2015	Howe
7,854,534 B2	12/2010	Liu	D734,534 S	7/2015	Howe
D632,419 S	2/2011	Ng	D735,391 S	7/2015	Blessitt
D633,640 S	3/2011	Wauters	D735,401 S	7/2015	Clements
D634,060 S	3/2011	Wardenburg	D736,450 S *	8/2015	Reynolds D26/118
D634,240 S	3/2011	Junkeer	D737,498 S	8/2015	Stanley
D634,468 S	3/2011	Hargreaves	D739,595 S *	9/2015	Reynolds D26/118
D634,469 S	3/2011	Hargreaves	D740,486 S *	10/2015	Stanley D26/118
D637,162 S	5/2011	Bridgman	D745,993 S *	12/2015	Reynolds D26/118
D637,341 S	5/2011	Wardenburg	D747,029 S *	1/2016	Reynolds D26/118
D637,752 S	5/2011	Mekhtarian	D747,538 S *	1/2016	Hargreaves D26/118
D640,404 S	6/2011	Chipperfield	D747,825 S *	1/2016	Reynolds D26/118
7,959,331 B2	6/2011	Ho	D748,849 S	2/2016	Stanley
7,972,044 B2	7/2011	Burkhauser	D749,773 S *	2/2016	Waible D26/118
7,987,632 B2	8/2011	May et al.	D750,312 S *	2/2016	Reynolds D26/118
8,018,630 B2	9/2011	Herloski	D750,313 S *	2/2016	Reynolds D26/118
8,038,318 B2	10/2011	Plunk	D750,316 S *	2/2016	Reynolds D26/118
D648,652 S	11/2011	Hawkins	9,255,690 B2 *	2/2016	Dimitriadis F21V 7/00
D649,685 S	11/2011	Trzesniowski	D751,244 S *	3/2016	Reynolds D26/118
D650,515 S	12/2011	Bradley	D751,245 S *	3/2016	Stanley D26/118
D650,935 S	12/2011	Beghelli	D751,247 S *	3/2016	Reynolds D26/118
8,113,696 B2	2/2012	Striebel	D756,016 S *	5/2016	Hargreaves D26/79
D655,403 S	3/2012	Zakula	D756,023 S *	5/2016	Hoffer D26/118
D661,833 S	6/2012	Imajo	D756,026 S *	5/2016	Reynolds D26/118
8,209,912 B2	7/2012	Hargreaves et al.	D757,323 S *	5/2016	Reynolds D26/72
D668,370 S	10/2012	Guercio	D757,346 S *	5/2016	Stanley D26/118
D671,259 S	11/2012	Chen	9,335,038 B2 *	5/2016	Stanley F21V 7/00
D672,908 S	12/2012	Wilcox	2002/0073285 A1	6/2002	Butterworth
8,334,640 B2	12/2012	Reed et al.	2002/0141195 A1	10/2002	Peter
D675,369 S	1/2013	Michaud	2003/0031011 A1	2/2003	Miller
8,348,481 B2	1/2013	Chang	2003/0191783 A1	10/2003	Wolczko
D675,772 S	2/2013	Tran	2005/0117333 A1	6/2005	Yoshida
8,371,726 B2	2/2013	Collins et al.	2005/0160481 A1	7/2005	Todd
D678,597 S	3/2013	Lehman	2006/0231081 A1	10/2006	Kirakosyan
D678,599 S	3/2013	Boyer et al.	2006/0232984 A1	10/2006	Schuknecht
D683,064 S	5/2013	Tuck	2006/0282457 A1	12/2006	Williams
8,505,224 B2	8/2013	Huang	2007/0051321 A1	3/2007	Chang
D689,238 S	9/2013	Halsey	2007/0070633 A1	3/2007	Eynden
D693,959 S	11/2013	Boyer	2007/0228993 A1	10/2007	Stuer et al.
D698,075 S	1/2014	Klus	2007/0246631 A1	10/2007	Brown
D698,986 S	2/2014	Reynolds	2007/0282806 A1	12/2007	Hoffman
D698,987 S	2/2014	Stanley	2008/0059799 A1	3/2008	Scarlata
D702,827 S	4/2014	Mase	2008/0117617 A1	5/2008	Hargreaves et al.
8,702,283 B2	4/2014	Bradley, Jr.	2008/0205030 A1	8/2008	Hargreaves
D705,474 S	5/2014	Philips	2008/0205071 A1	8/2008	Townsley
D705,974 S	5/2014	Blessitt	2008/0212326 A1	9/2008	Chon
8,723,086 B2	5/2014	McMahan	2008/0278950 A1	11/2008	Pickard et al.
D707,385 S	6/2014	Wardenburg	2009/0231840 A1	9/2009	Boehme et al.
D708,390 S	7/2014	Roos	2009/0262540 A1	10/2009	Hargreaves et al.
			2009/0276478 A1	11/2009	Soman
			2009/0310373 A1	12/2009	Burkhauser
			2009/0323335 A1	12/2009	Yang
			2010/0214789 A1	8/2010	Hawkes

(56)

References Cited

U.S. PATENT DOCUMENTS

2010/0238661	A1	9/2010	Pfund	
2010/0277908	A1	11/2010	Hu	
2010/0277929	A1	11/2010	Hargreaves	
2010/0302768	A1	12/2010	Collins	
2011/0169412	A1	7/2011	Yurich	
2011/0259665	A1	10/2011	Morgan	
2012/0230035	A1	9/2012	Bradley, Jr. et al.	
2013/0083539	A1	4/2013	Dimitriadis	
2013/0155685	A1	6/2013	Stanley	
2013/0242573	A1	9/2013	Petsoki	
2013/0250567	A1	9/2013	Edmond	
2014/0378283	A1	12/2014	Qiu	
2015/0023022	A1	1/2015	Stanley	
2015/0098215	A1	4/2015	Torabifard	
2015/0252992	A1	9/2015	Stanley	
2015/0252993	A1	9/2015	Stanley	
2015/0252994	A1*	9/2015	Stanley F21V 7/00 362/264

FOREIGN PATENT DOCUMENTS

EP	03250031	A1	7/1989
EP	0440274	A1	8/1991
WO	02063210	A2	8/2002
WO	2008018000	A1	2/2008
WO	2009096775	A2	8/2009
WO	2011119451	A1	9/2011

OTHER PUBLICATIONS

Apollo Horticulture GLRLS24 6' Air Cooled Hydroponic Grow Light Glass Reflector Hood, image post date Oct. 15, 2010, site visited Oct. 3, 2014, (online), <http://www.amazon.com/apollo-horticulture-GLRLS24-hydroponic-reflector/dp/B00BMVK8HG/ref=cm_cd_ql_qh_dp_i>.

Adjustable Reflector, image post date Apr. 23, 2012, site visited Sep. 23, 2015, http://web.archive.org/web/2012043260757/http://hydroponics-products.en.alibaba.com/product/519225678-213056444/adjustable_reflector_grow_light_hydroponics_greenhouse_horticulture_reflector_hood.html.

Agrotech Magnum Reflector, image post date Feb. 5, 2012, site visited Oct. 31, 2014, www.hydroponics.net/136580.

Cree CR22, image post date Apr. 28, 2011, site visited Nov. 15, 2014, <http://ledsmagazine.com/content/dam/leds/migrated/objects/news/8/4/19/cree204272011.jpg>.

ZR series High Efficacy Troffer, image post date Apr. 13, 2012, site visited Oct. 31, 2014, www.cree.com/lighting/products.

Grow Lights Home Depot: Find many types of grow lights for your plant, published Dec. 22, 2012, online. Site visited Jun. 25, 2014. [Http://besthomedecorfurniture.com/gardening-d%C3%A9cor/grow-lights-home-depot-few-things-to-consider-when-buying-grow-lighting-plants-online.html](http://besthomedecorfurniture.com/gardening-d%C3%A9cor/grow-lights-home-depot-few-things-to-consider-when-buying-grow-lighting-plants-online.html).

LED Grow Light Comparison Test Review, Youtube.com, published Jun. 29, 2012, online. Site visited Jun. 25, 2014. www.youtube.com/watch?v=f-8oy0qbgrs.

Illuminator Pro-Series Hybrid 350W, wordpress.com, published Dec. 22, 2010, online, site visited Jun. 25, 2014. <http://growsetup.wordpress.com/category/grow-lights/>.

California Lightworks NEW SolarStorm 440W LED Grow Light with UVB, hydrobuilder.com, online. Site visited Jun. 25, 2014. http://hydrobuilder.com/solarstorm-440w-led-grow-light-with-uvb.html?dzid=strands_CLW-SS-440.

2013 Sunlight Supply Cataog, Issuu.com, published Aug. 1, 2013, online. Site visited Feb. 2, 2015. http://issuu.com/sunlightsupply/docs/2013_sunlightproductcatalog/49.

Pages 29 and 54 from 2014-2015 dealer catalog showing and describing Super Sun DE reflector published by Sunlight Supply, Inc. 2014.

Dominator XXXL Non AC Reflector pack of 3 Spec Sheet, GreenTreesHydroponics.com, date available Mar. 12, 2014, online. Site visited Feb. 3, 2015, <https://www.hydroponics.net/i/141477>.

Air Resistance: Distinguishing Between Laminar and Turbulent Flow, www.docstoc.com, Dec. 29, 2010, p. 1-6.

Sun Systems LEC 630 Light Emitting Ceramic Fixture, Spec Sheet for 906217—Sun System LEC 630 120 Volt w/3100 K Lamps, www.sunlightsupply.com/shop/bycategory/led-lighting/sun-system-lec-630-light-emitting-ceramic-fixture, online, updated Feb. 9, 2015. Site visited Mar. 30, 2015, p. 1.

A3V Reflector, Titaness Light Shop, www.titanesslightshop.com/products-page/reflectors/a3v-reflector, online. Site visited Jan. 14, 2015.

G2V Grow Light Reflector, Titaness Light Shop, www.titanesslightshop.com/products-page/reflectors/g2v-grow-light-reflector, online. Site visited Jan. 14, 2015.

* cited by examiner

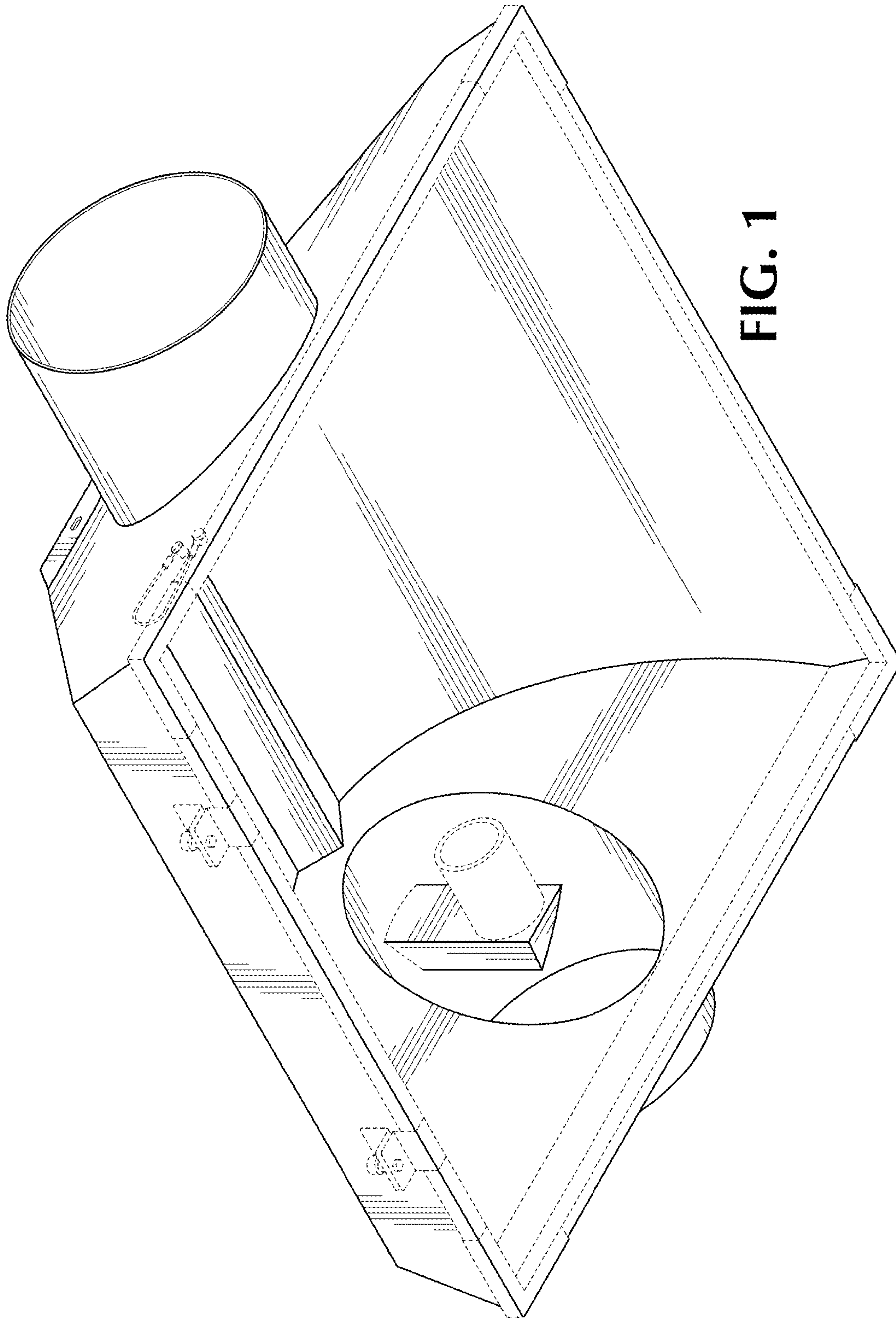


FIG. 1

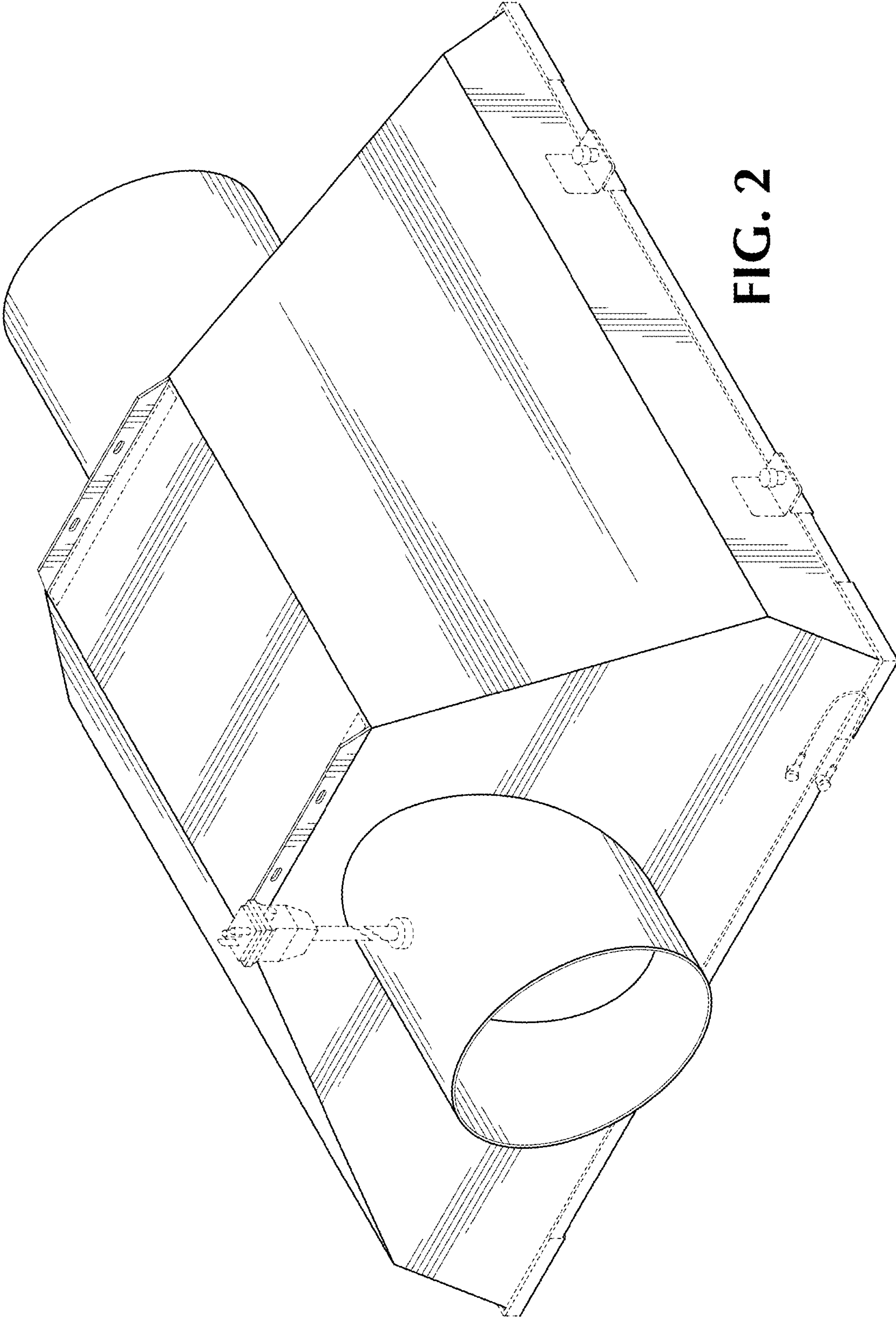


FIG. 2

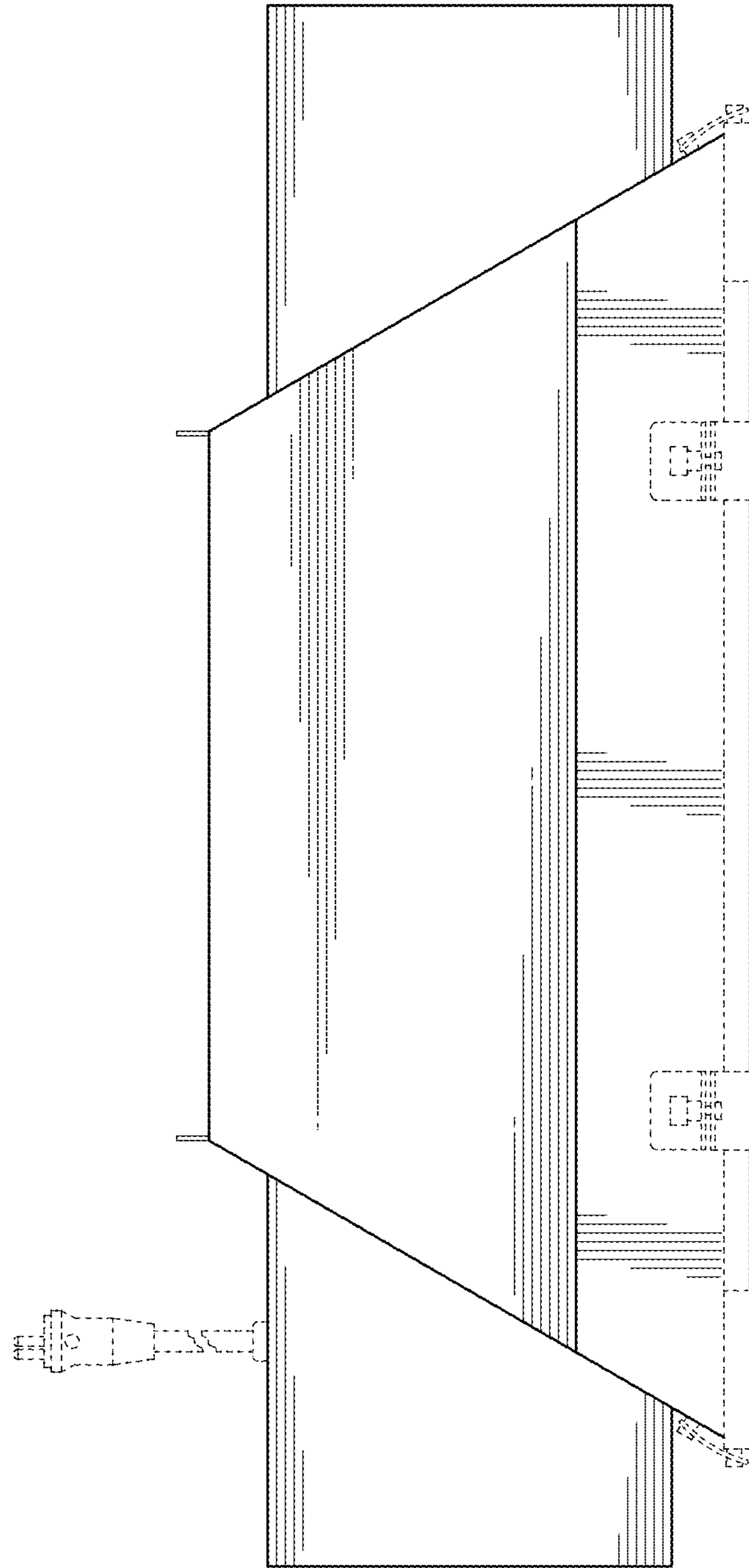


FIG. 3

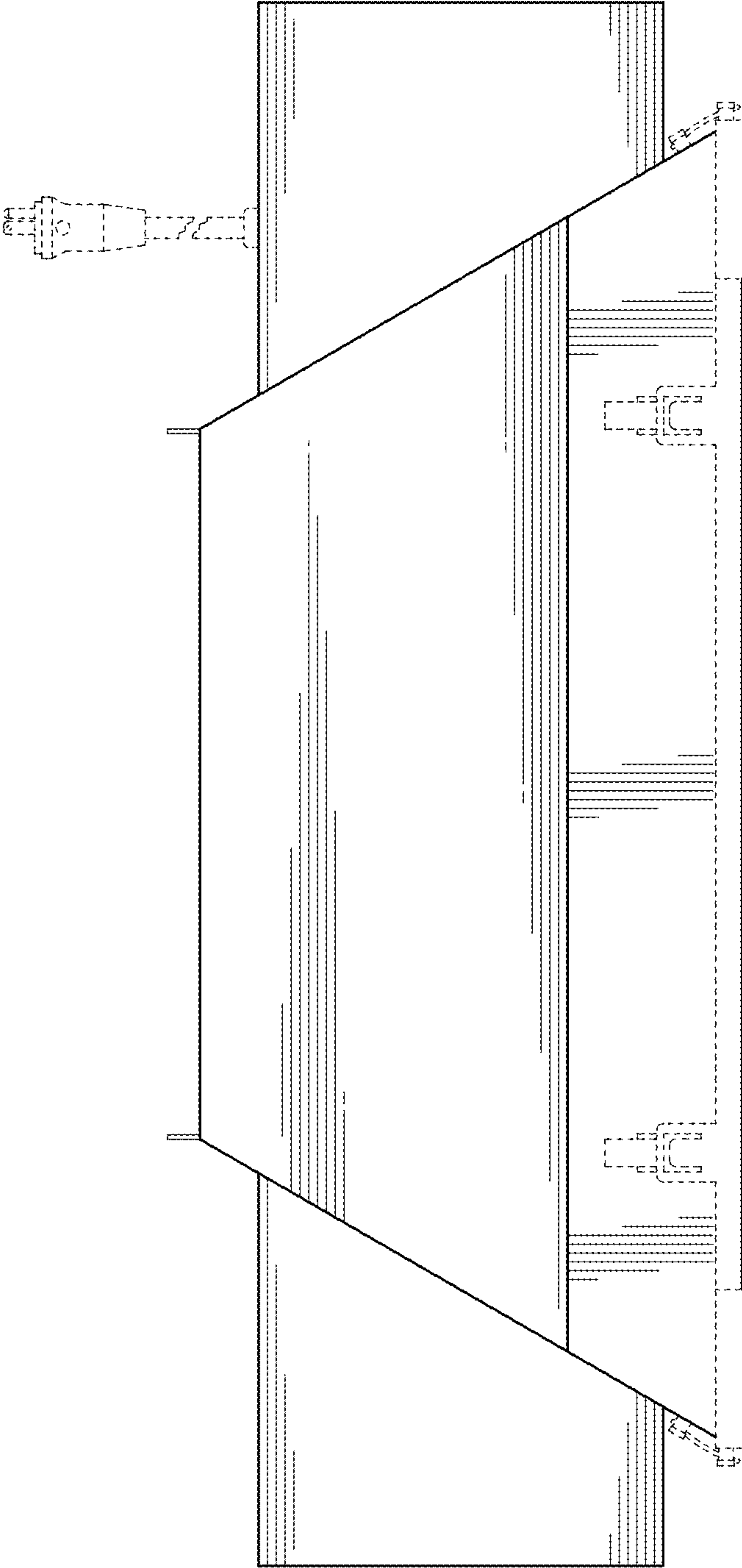


FIG. 4

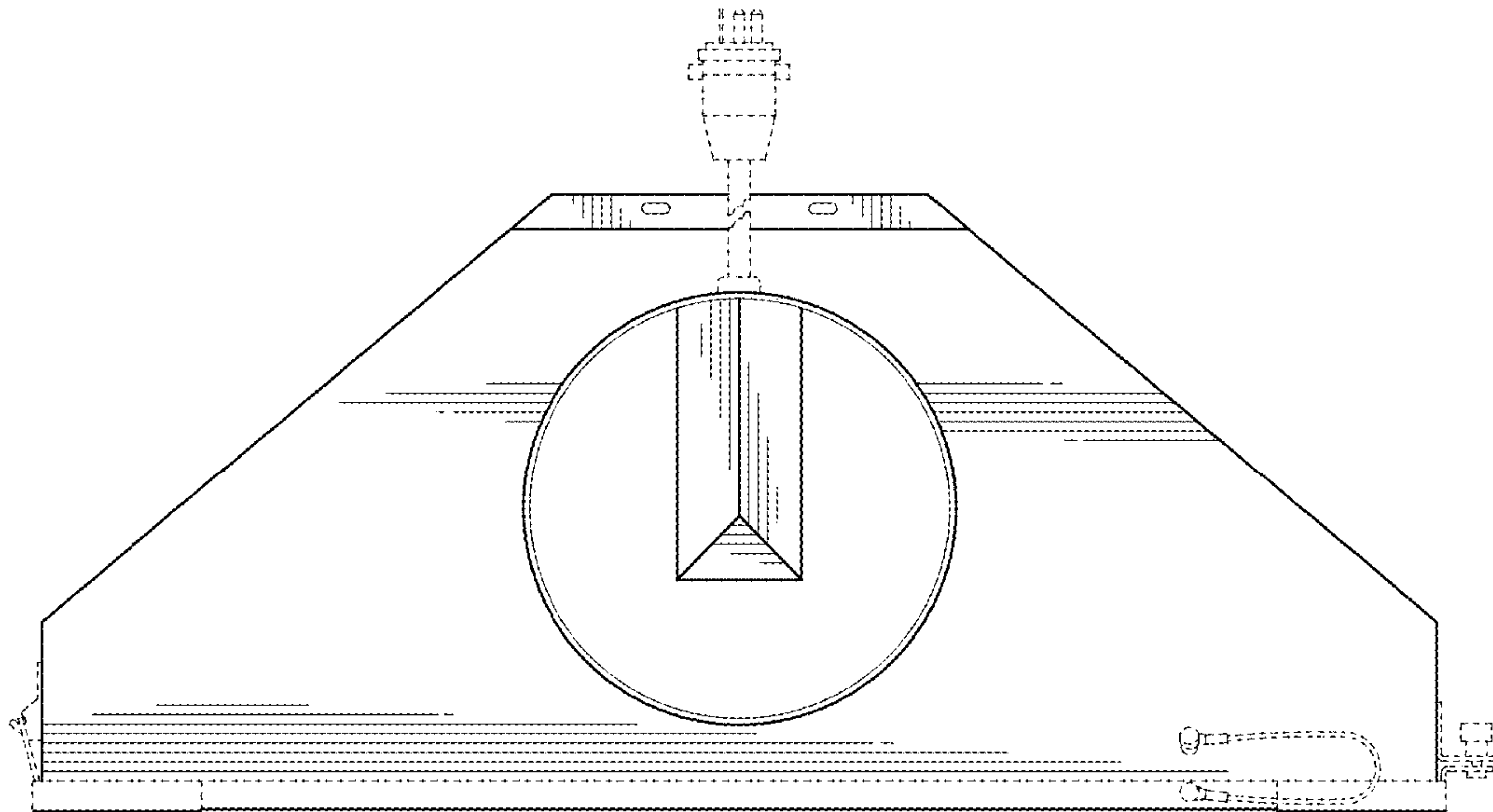


FIG. 5

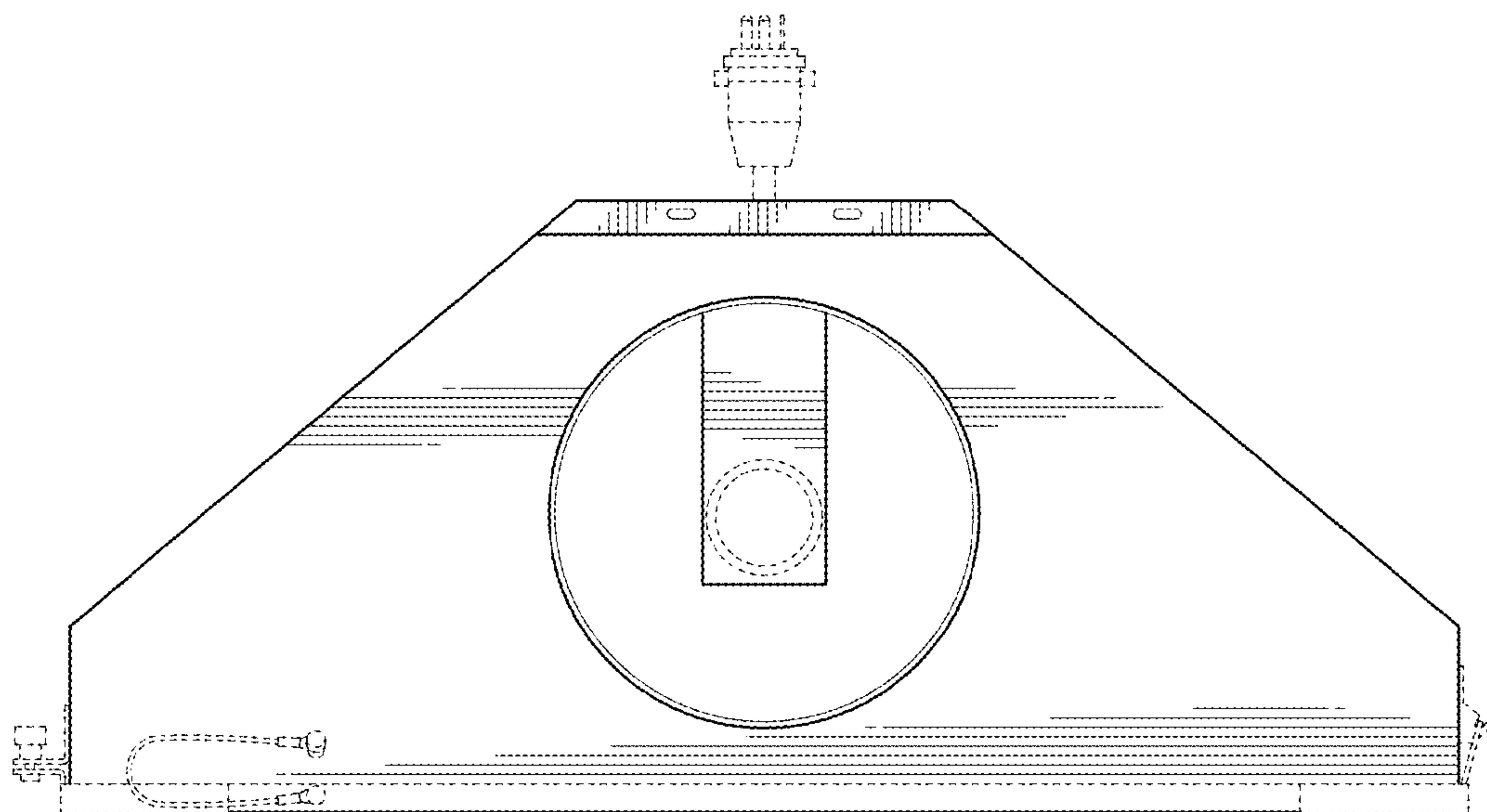


FIG. 6

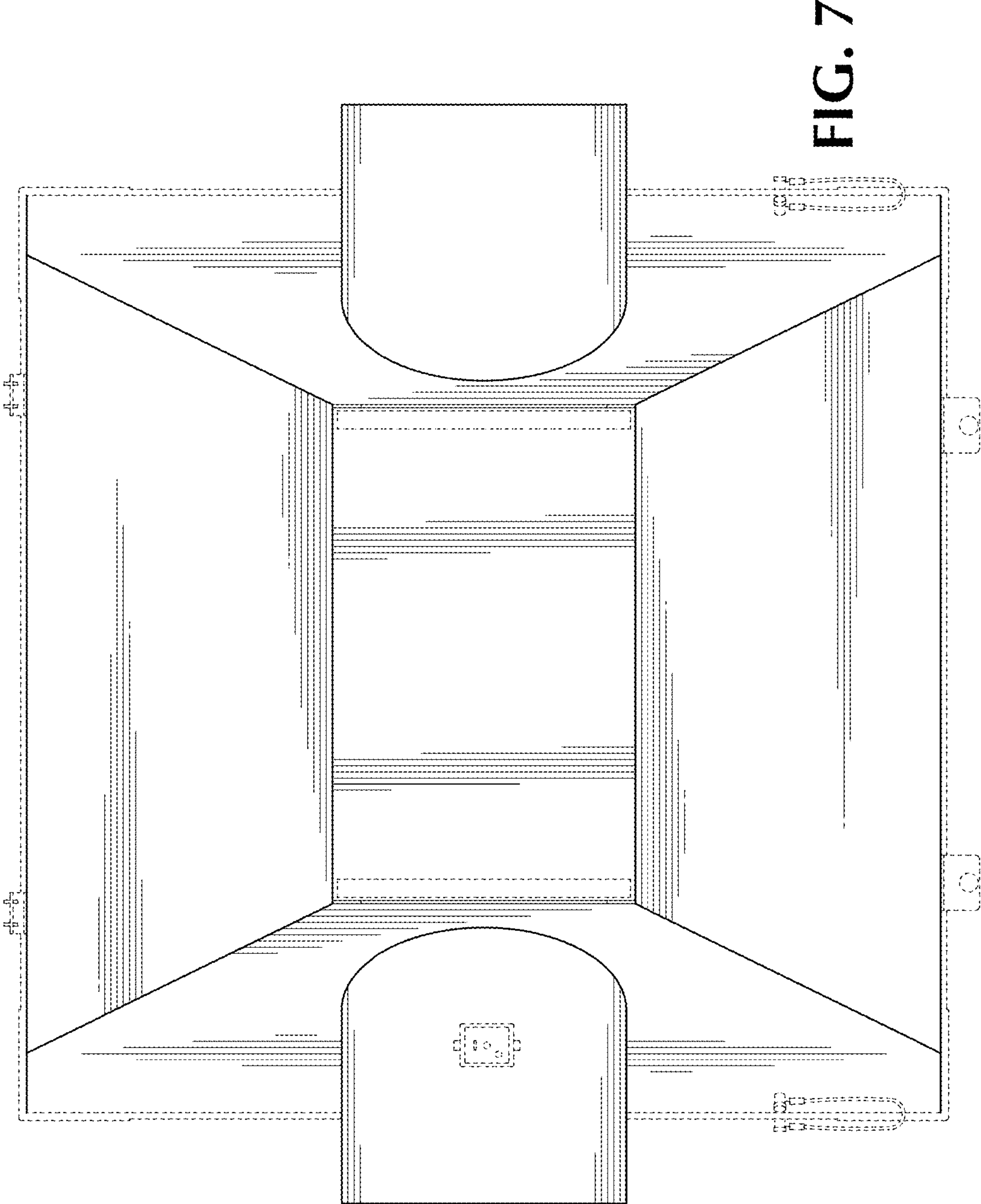


FIG. 7

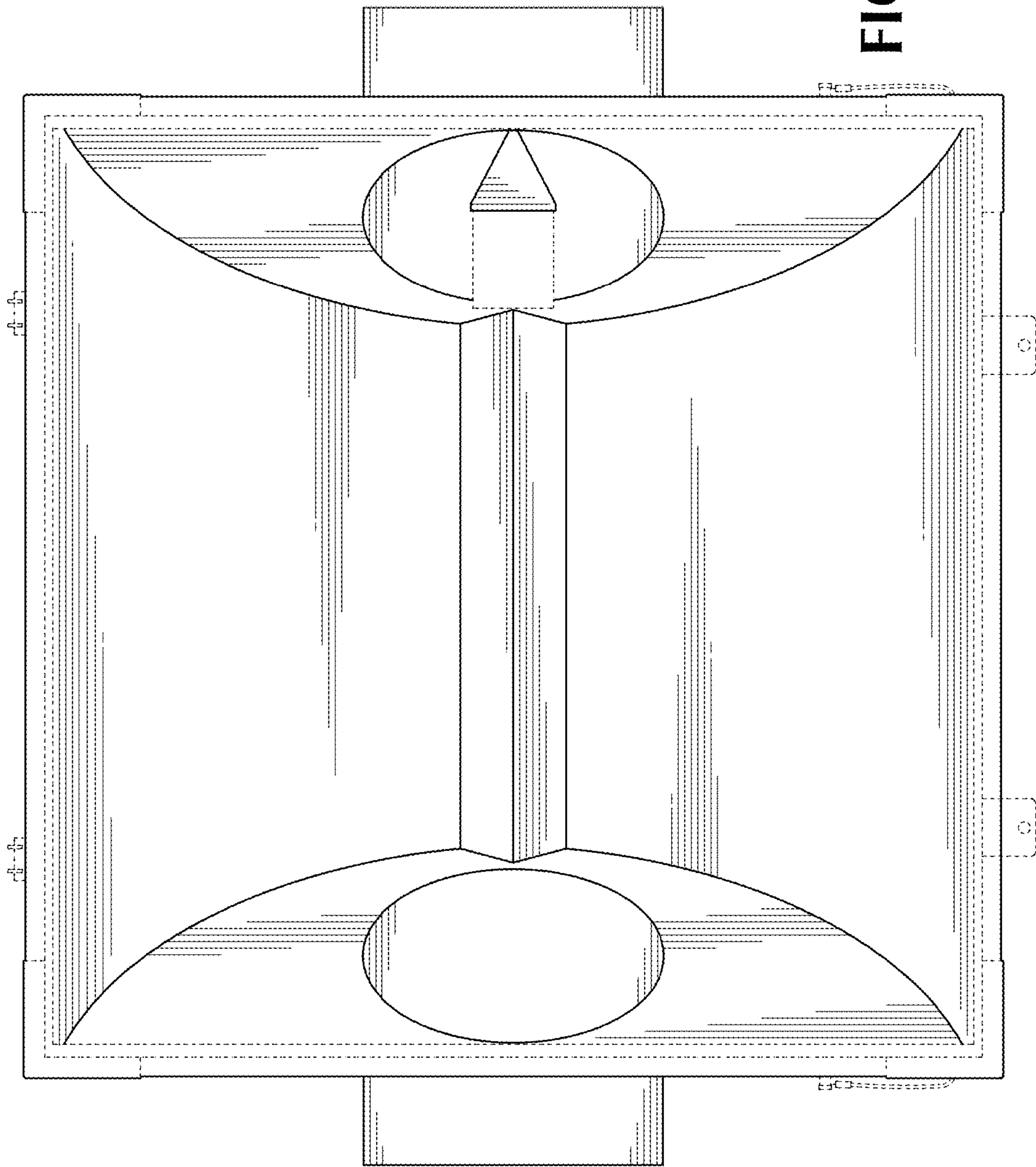


FIG. 8