

US00D769512S

(12) **United States Design Patent**
Edgar et al.

(10) **Patent No.:** **US D769,512 S**
(45) **Date of Patent:** **** Oct. 18, 2016**

(54) **LIGHT ASSEMBLY**

(71) Applicant: **Gold Crest, LLC**, Santa Barbara, CA (US)

(72) Inventors: **Roger Edgar**, Santa Barbara, CA (US);
Leonardus Josephus van Oor, Voorschoten (NL)

(73) Assignee: **Gold Crest LLC**, Santa Barbara, CA (US)

(**) Term: **15 Years**

(21) Appl. No.: **29/538,822**

(22) Filed: **Sep. 8, 2015**

(51) **LOC (10) Cl.** **26-03**

(52) **U.S. Cl.**
USPC **D26/107**

(58) **Field of Classification Search**
USPC D26/1, 24, 93, 104, 106, 107, 109, 110, D26/62
CPC F21S 6/00; F21S 6/043; F21S 8/08; F21V 21/00; F21V 21/02; F21W 2121/00; F21W 2131/30
See application file for complete search history.

(56) **References Cited**

U.S. PATENT DOCUMENTS

4,432,042 A	2/1984	Zeller	
D283,056 S	3/1986	Ansems	
D301,753 S	6/1989	Iacovelli	
D328,358 S	7/1992	Tsang	
D328,361 S *	7/1992	Paproski D26/106
D397,468 S	8/1998	Zeller	
5,822,546 A	10/1998	George	
D418,240 S	12/1999	Sherman	
D427,703 S	7/2000	Chan	
D435,679 S	12/2000	Naghi et al.	
6,172,884 B1	1/2001	Lanni	

D448,104 S	9/2001	Weitzman et al.
6,361,184 B1	3/2002	Hallgrimsson et al.
D456,923 S	5/2002	Konig
6,386,724 B2	5/2002	Naghi
6,465,987 B1	10/2002	Haas et al.
D476,106 S	6/2003	Kim
6,586,849 B2	7/2003	Tarr
6,680,844 B2	1/2004	Kim
6,711,006 B2	3/2004	Chen
6,749,314 B2	6/2004	Naghi et al.
6,773,192 B1	8/2004	Chao
6,808,289 B2	10/2004	Reed
D498,322 S	11/2004	Schnell
6,851,819 B2	2/2005	Naghi et al.
D506,279 S	6/2005	Sirichai et al.
6,921,284 B2	7/2005	Sirichai et al.
7,004,596 B2	2/2006	Merrem

(Continued)

Primary Examiner — Brian N Vinson
(74) *Attorney, Agent, or Firm* — Tsircou Law, P.C.

(57) **CLAIM**
We claim the ornamental design for a light assembly, as shown and described.

DESCRIPTION

FIG. 1 a front, left perspective view of a light assembly of the new design.

FIG. 2 is a back left perspective of the light assembly of FIG. 1.

FIG. 3 is a bottom view of the light assembly of FIG. 1.

FIG. 4 is a left elevational view of the light assembly of FIG. 1.

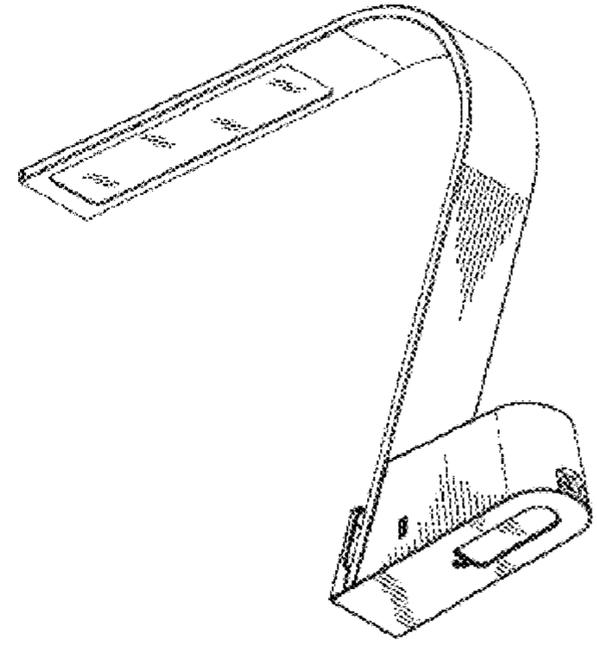
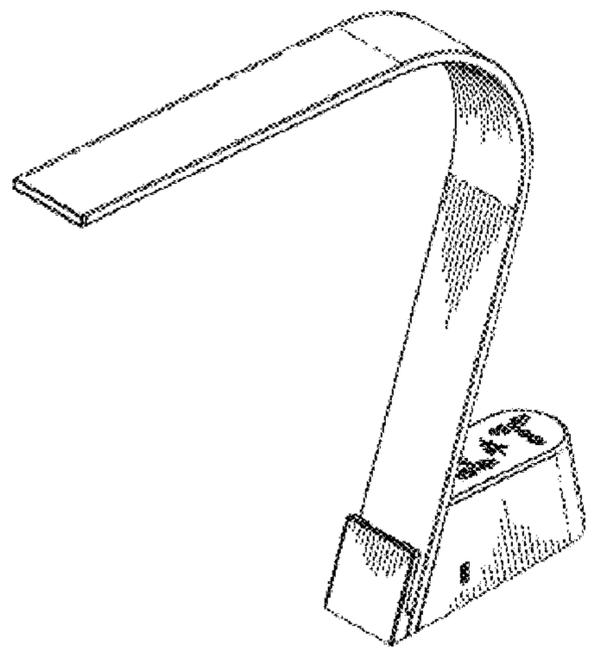
FIG. 5 is a top view of the light assembly of FIG. 1.

FIG. 6 is right elevational view of the light assembly of FIG. 1; and,

FIG. 7 is back elevational view of the light assembly of FIG. 1.

The dashed lines depict environmental aspects and form no part of the claimed design.

1 Claim, 4 Drawing Sheets



(56)

References Cited

U.S. PATENT DOCUMENTS

D522,677 S	6/2006	Ming	
D529,651 S	10/2006	Chan	
D556,363 S *	11/2007	Komar	D26/106
D562,485 S	2/2008	Brown	
7,541,692 B2	6/2009	Hirst et al.	
7,649,279 B2	1/2010	Lanni	
D618,378 S *	6/2010	Huang	D26/93
7,727,031 B2	6/2010	Lord	
D639,490 S *	6/2011	Huang	D26/93
D673,321 S *	12/2012	Karkkainen	D26/93
D681,865 S *	5/2013	Lee	D26/93
D759,290 S *	6/2016	Hsu	D26/107
2001/0043468 A1	11/2001	Krietzman et al.	
2001/0048409 A1	12/2001	Kim	
2002/0186563 A1	12/2002	Krietzman et al.	
2003/0223228 A1	12/2003	Krietzman	
2004/0017677 A1	1/2004	Krietzman	
2004/0042735 A1	3/2004	Ma	
2004/0090795 A1	5/2004	Kim	
2005/0083677 A1	4/2005	Krietzman	
2006/0109620 A1	5/2006	Kim	

* cited by examiner

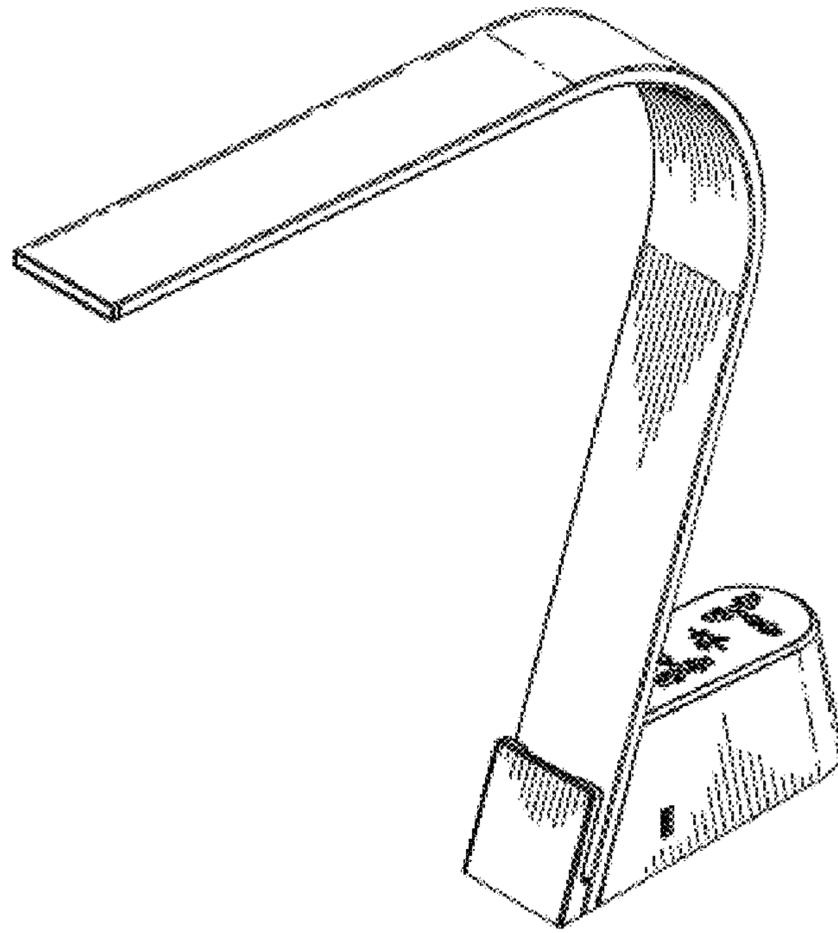


FIG. 1

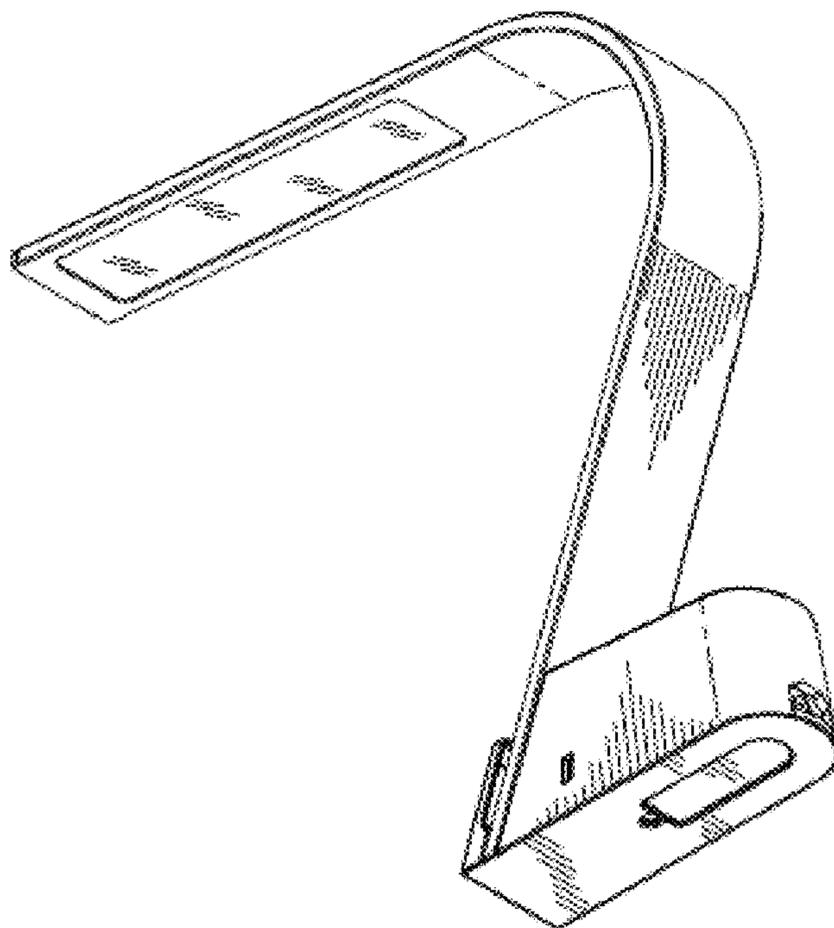


FIG. 2

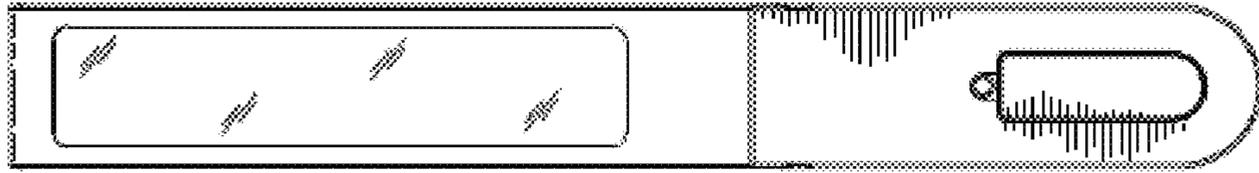


FIG. 3

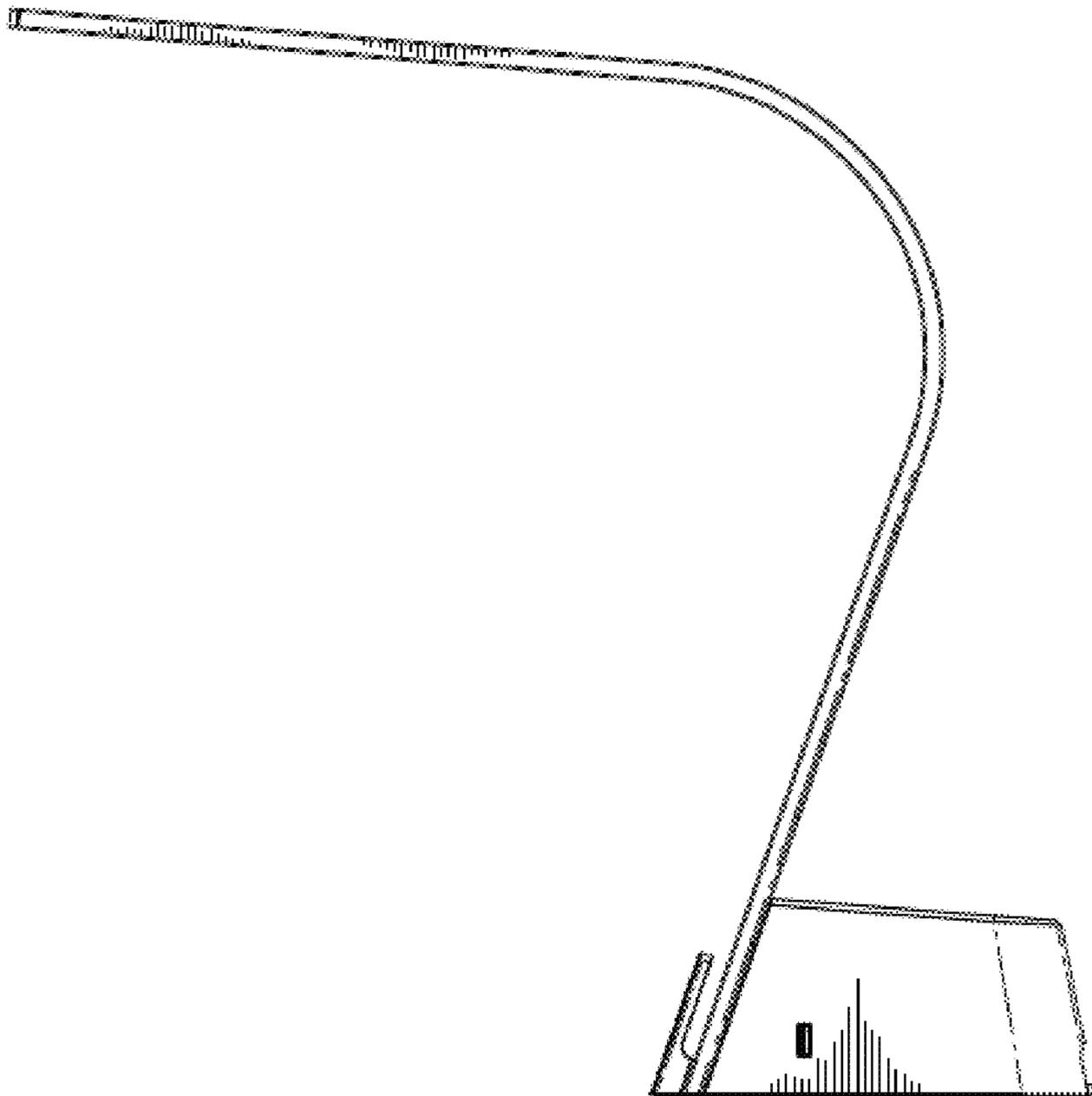


FIG. 4



FIG. 5

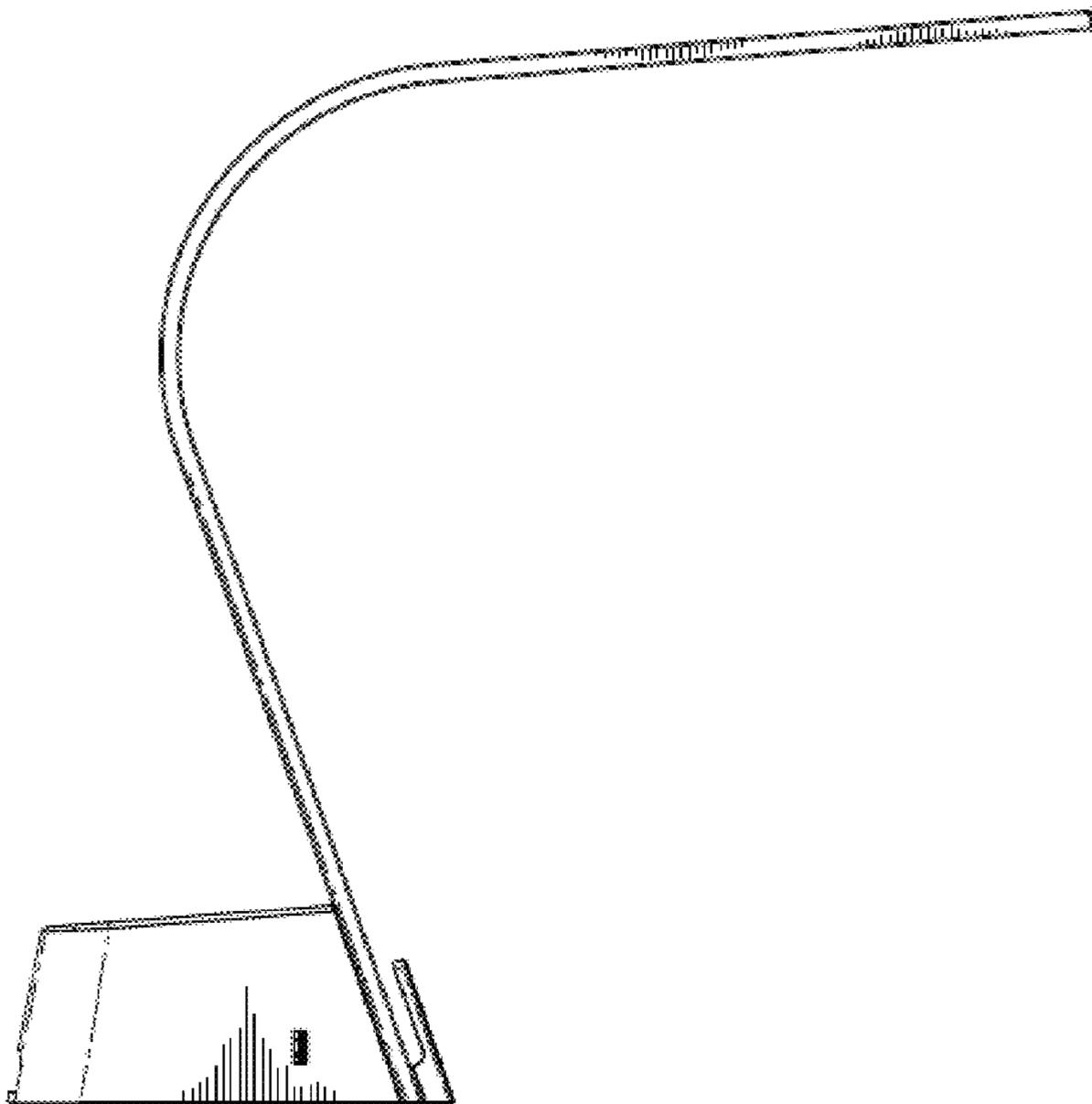


FIG. 6

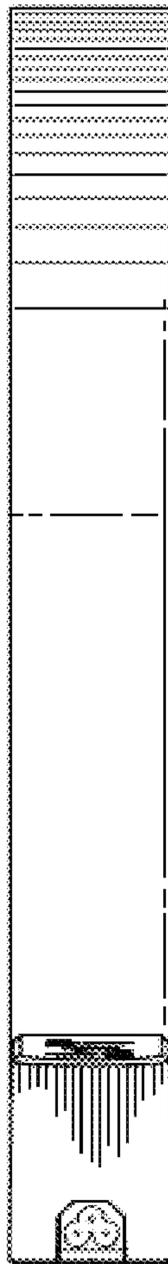


FIG. 7