

US00D769511S

(12) **United States Design Patent**  
**Kern et al.**

(10) **Patent No.:** **US D769,511 S**  
(45) **Date of Patent:** **\*\* Oct. 18, 2016**

(54) **LAMP**

(71) Applicant: **Target Brands, Inc.**, Minneapolis, MN (US)

(72) Inventors: **Elizabeth C. Kern**, Minneapolis, MN (US); **Kent D. Katterheinrich**, Shoreview, MN (US)

(73) Assignee: **Target Brands, Inc.**, Minneapolis, MN (US)

(\*\*) Term: **15 Years**

(21) Appl. No.: **29/543,941**

(22) Filed: **Oct. 29, 2015**

(51) **LOC (10) Cl.** ..... **26-99**

(52) **U.S. Cl.**  
USPC ..... **D26/106**

(58) **Field of Classification Search**  
USPC ..... D26/24, 61, 63, 65, 107, 106, 108  
CPC ..... F21V 21/14; F21V 15/01; F21V 14/02;  
F21V 21/30; F21V 21/00; F21V 14/00;  
F21V 1/00; F21V 21/116; F21V 21/34;  
F21S 8/00; F21S 8/003; F21S 8/043; F21S  
6/00; F21S 6/002; F21S 8/08; F21Y  
2105/001; F21W 2131/30  
See application file for complete search history.

(56) **References Cited**

**U.S. PATENT DOCUMENTS**

D50,156 S	*	1/1917	Barrows et al.	.....	D26/102
D328,153 S		7/1992	Benghozi		
D331,636 S	*	12/1992	Meck	.....	D26/106
D368,548 S		4/1996	Lee		
D451,233 S	*	11/2001	Dolan	.....	D26/106
D470,263 S	*	2/2003	Krieger	.....	D26/106
D482,155 S		11/2003	Lo		
D498,872 S		11/2004	Leddusire		

D535,429 S	1/2007	Ke
D642,728 S	8/2011	Lewis
D718,896 S	12/2014	Foley et al.

**OTHER PUBLICATIONS**

Ralph Lauren, "Upper Fifth Floor Lamp", <http://www.ralphlauren.com/product/index.jsp?productId=13193166>, at least as early as Aug. 31, 2015, 1 page.

Ethan Allen, "Ridgefield Brass Floor Lamp", [http://www.ethanallen.com/en\\_US/shop-lighting-floor-lamps/ridgefield-brass-floor-lamp/092548.html](http://www.ethanallen.com/en_US/shop-lighting-floor-lamps/ridgefield-brass-floor-lamp/092548.html), at least as early as Aug. 31, 2015, 1 page.

(Continued)

*Primary Examiner* — Brian N Vinson

(74) *Attorney, Agent, or Firm* — Leanne Taveggia Farrell; Westman, Champlin & Koehler, P.A.

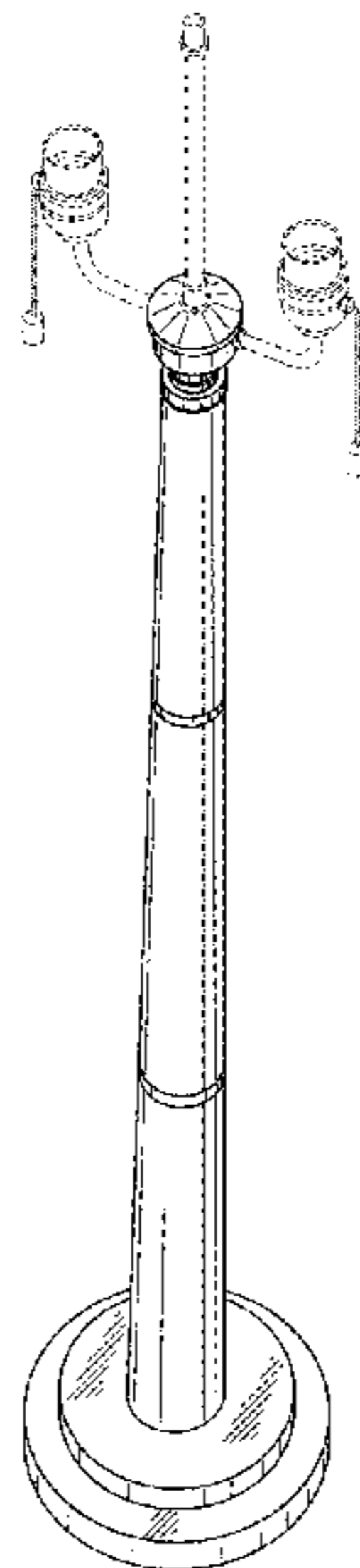
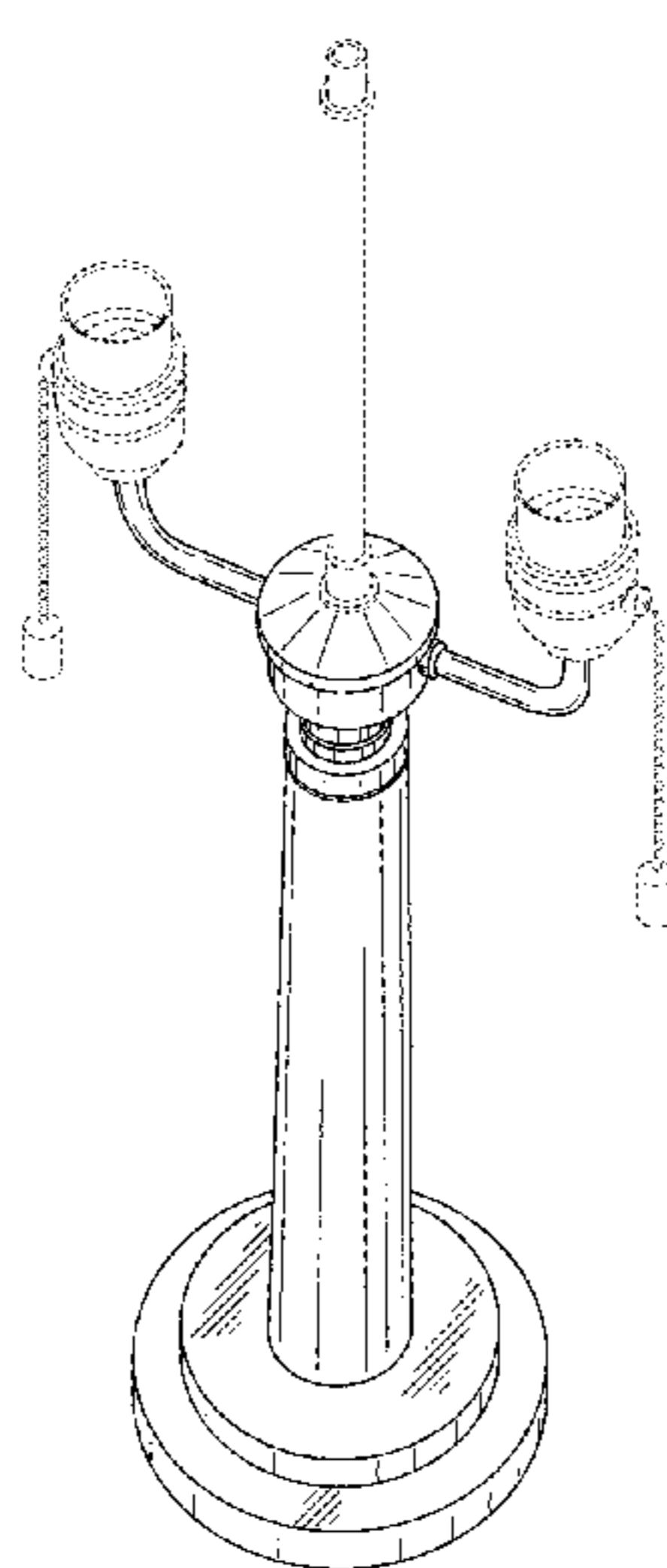
(57) **CLAIM**

The ornamental design for a lamp, as shown and described.

**DESCRIPTION**

FIG. 1 is a perspective view of a first embodiment of a lamp showing our new design;  
FIG. 2 is a front view thereof, the back view being a mirror image;  
FIG. 3 is a right side view thereof, the left side view being a mirror image;  
FIG. 4 is a top view thereof;  
FIG. 5 is a bottom view thereof;  
FIG. 6 is a perspective view of a second embodiment of the lamp;  
FIG. 7 is a front view of FIG. 6, the back view being a mirror image;  
FIG. 8 is a right side view of FIG. 6, the left side view being a mirror image;  
FIG. 9 is a top view of FIG. 6; and,  
FIG. 10 is a bottom view of FIG. 6.  
The broken lines illustrate portions of the lamp and form no part of the claimed design.

**1 Claim, 8 Drawing Sheets**



(56)

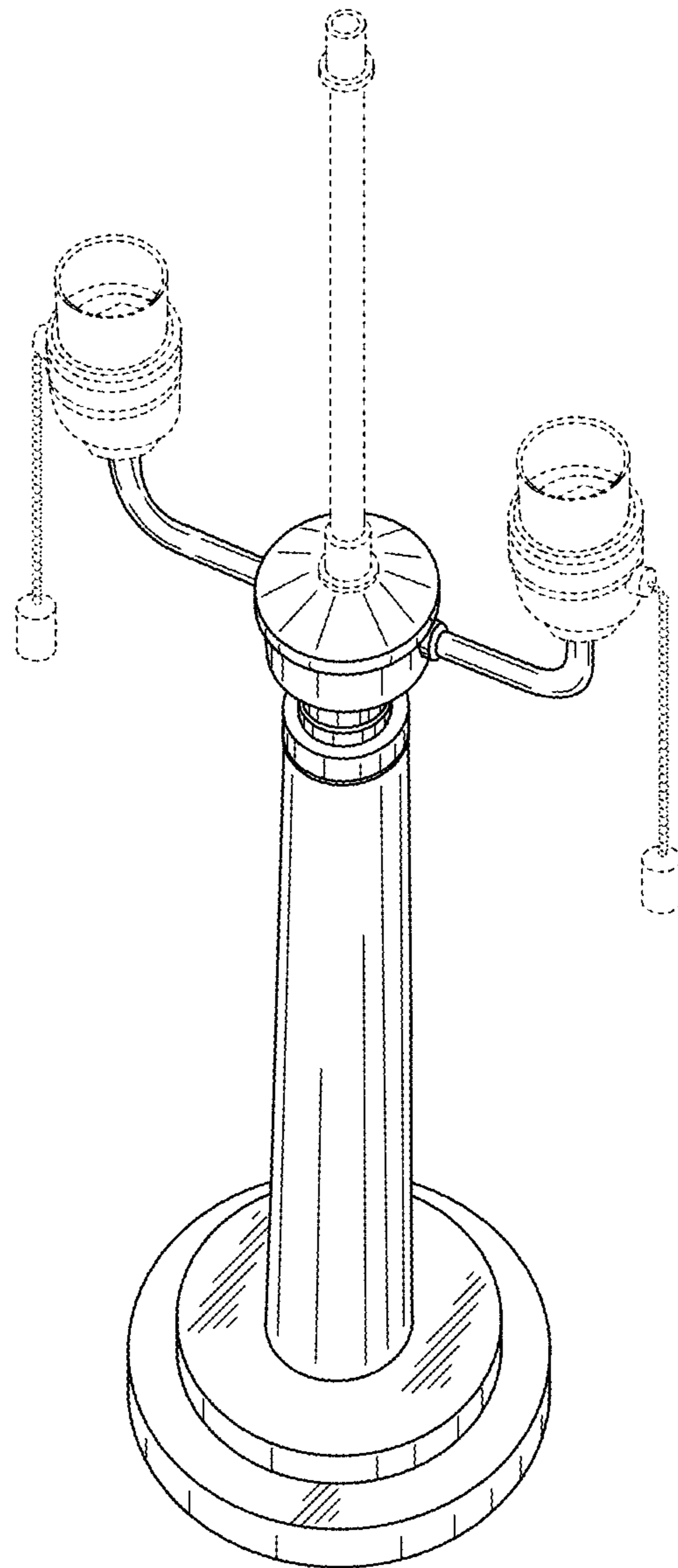
**References Cited**

BB for Reschio, "Cylinder Standard Lamp", <https://www.pinterest.com/pin/424464333601653759/>, at least as early as Aug. 31, 2015, 1 page.

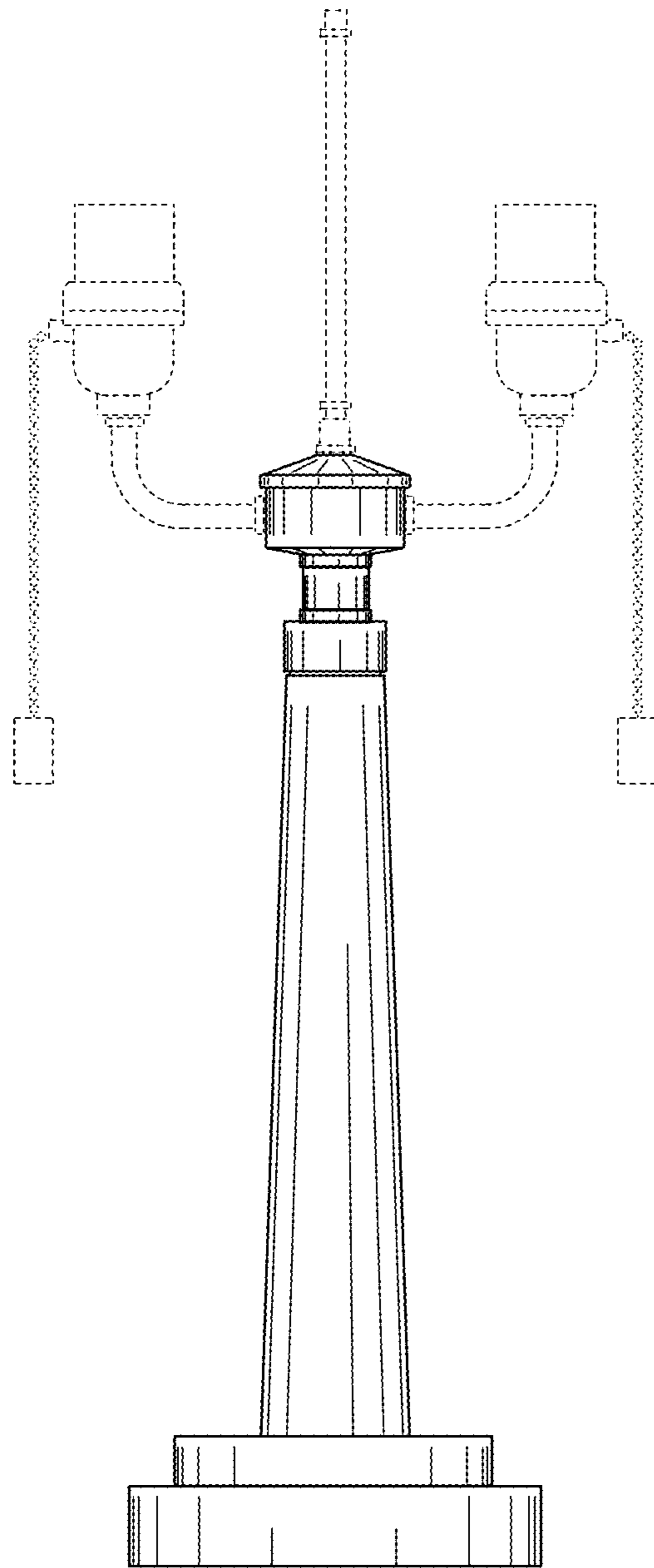
OTHER PUBLICATIONS

Arteriors, "Sidney Lamp", <http://www.arteriorshome.com/shop/lighting/lamptable/product/49882-590?sidney-lamp>, at least as early as Aug. 31, 2015, 1 page.

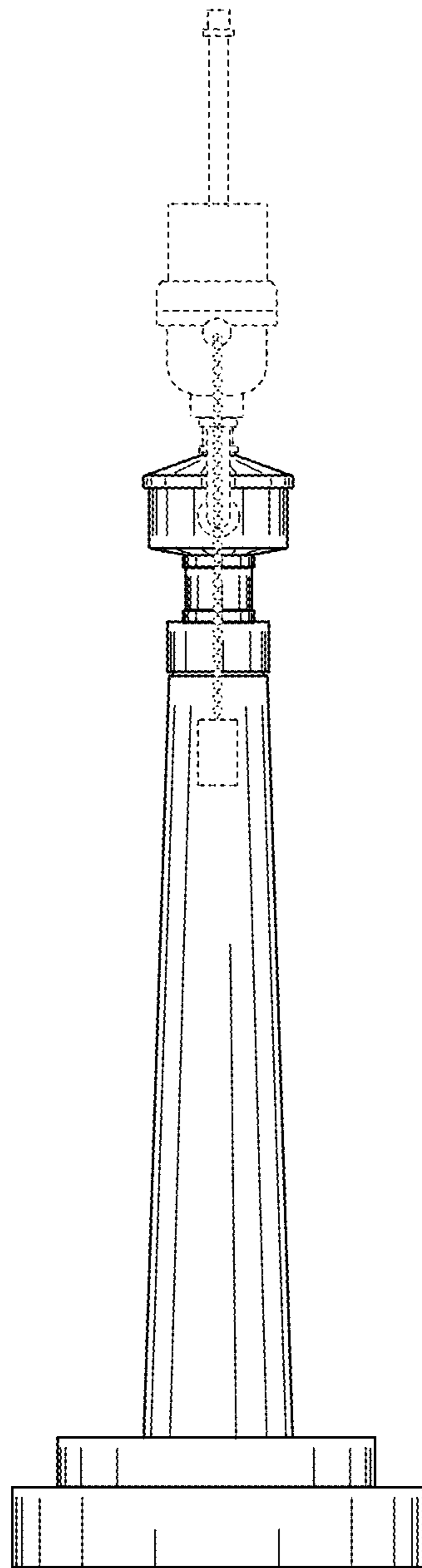
\* cited by examiner



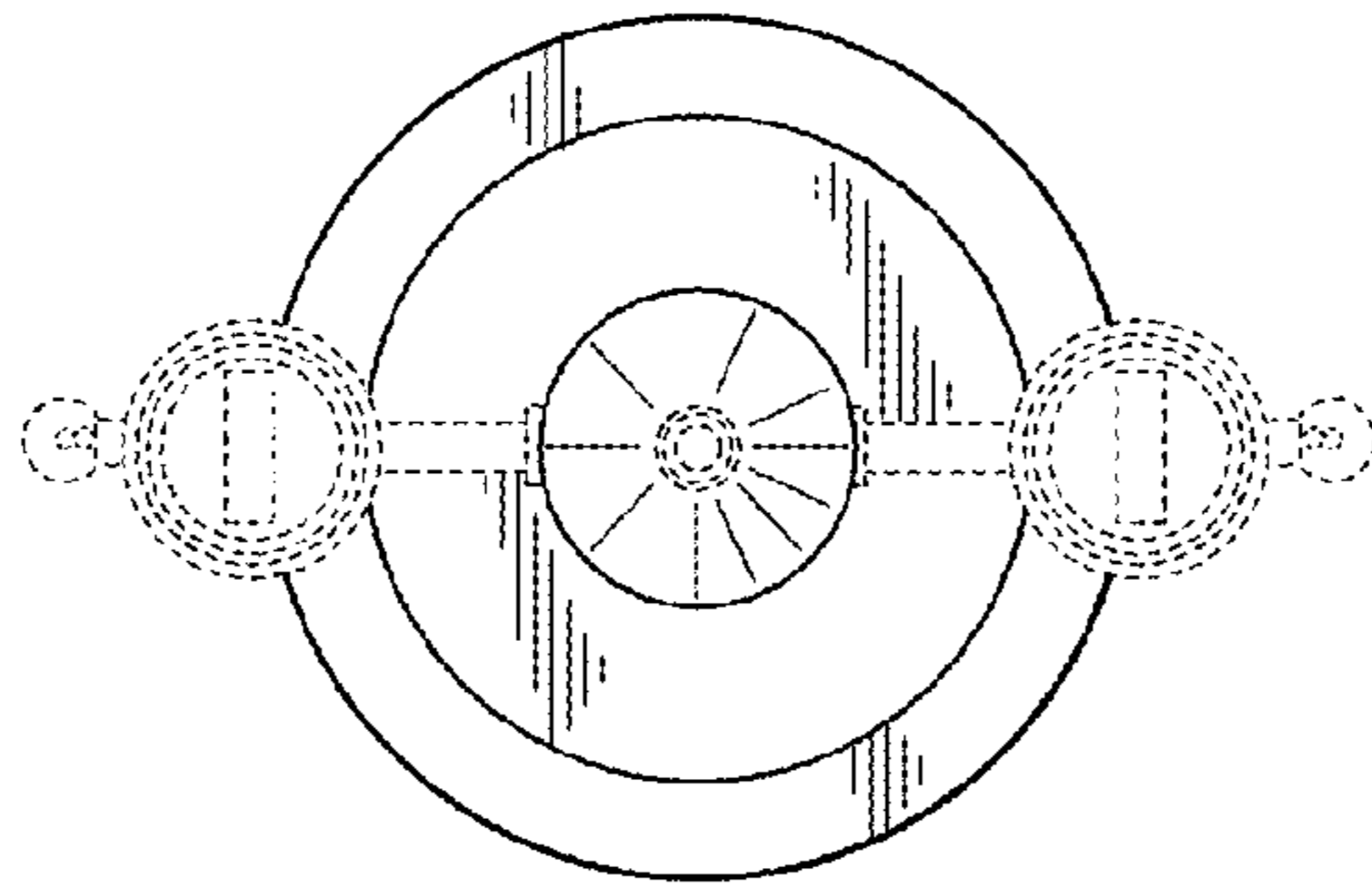
**FIG. 1**



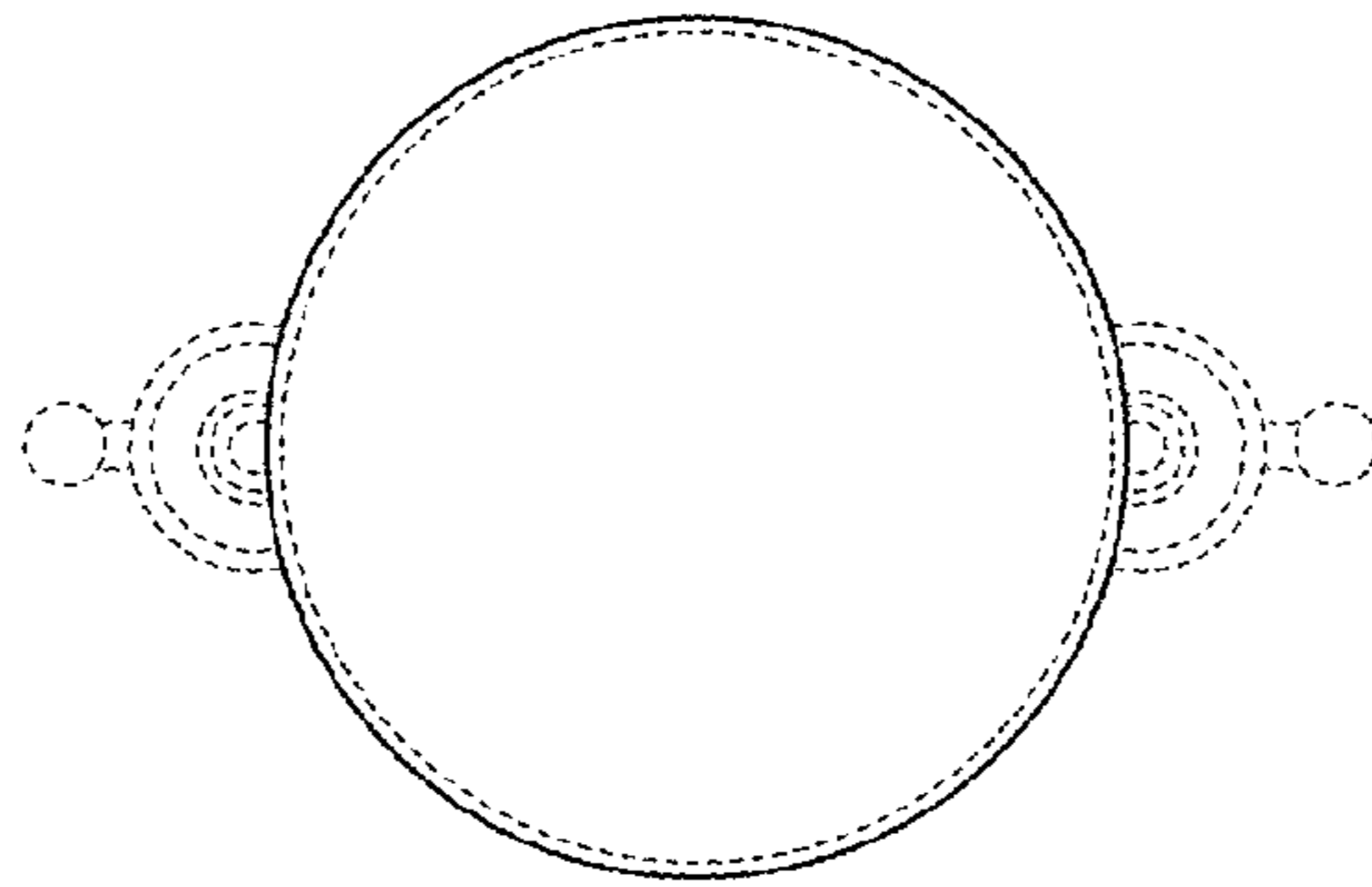
**FIG. 2**



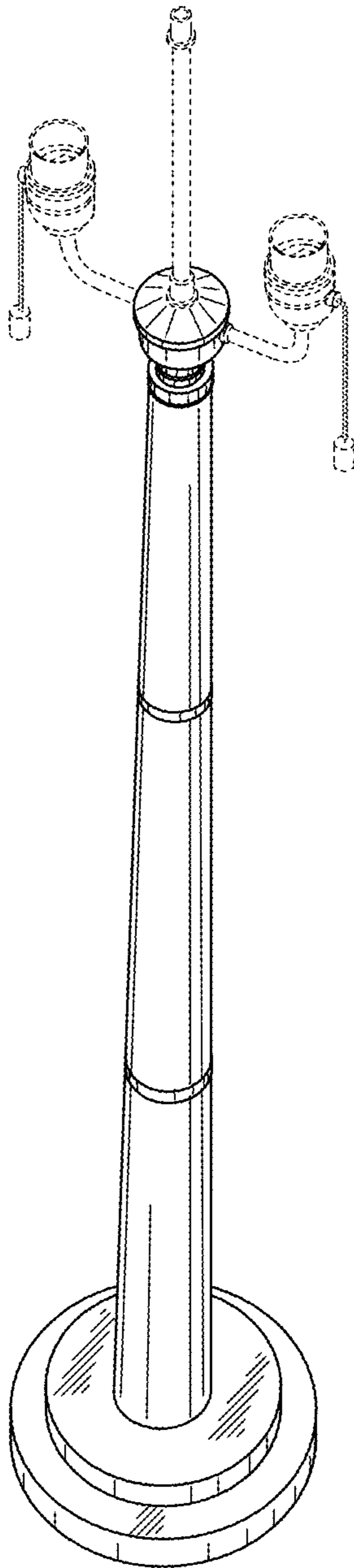
**FIG. 3**



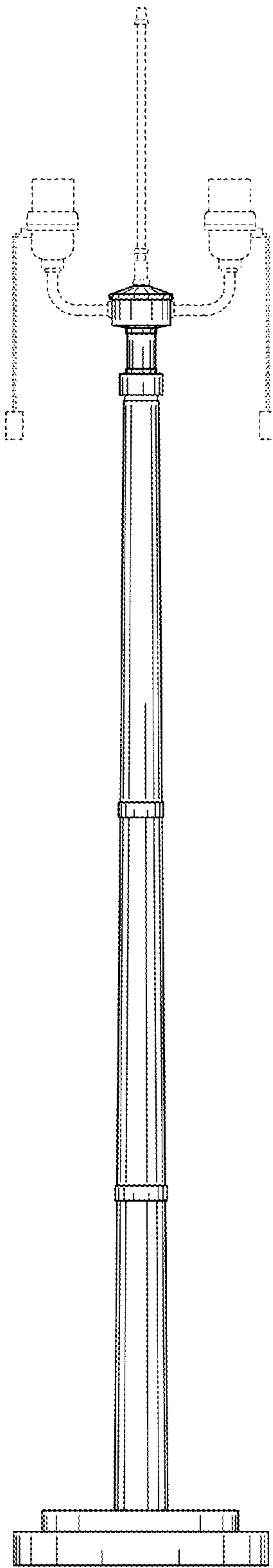
**FIG. 4**



**FIG. 5**

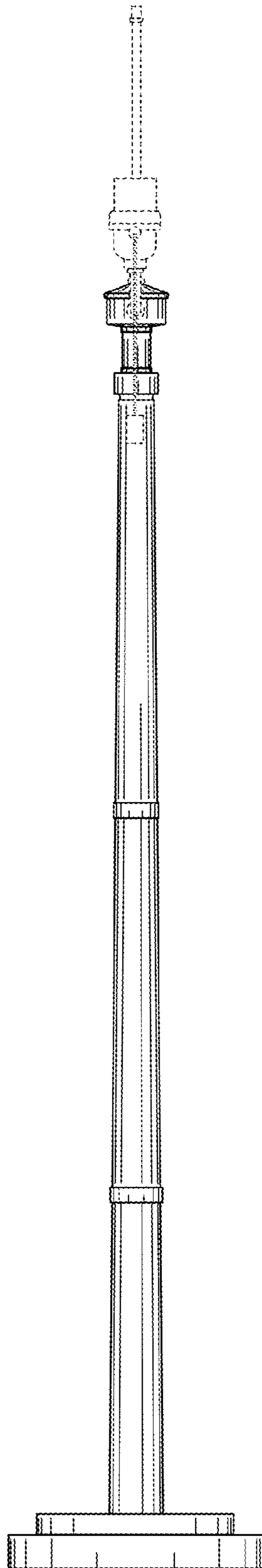


**FIG. 6**

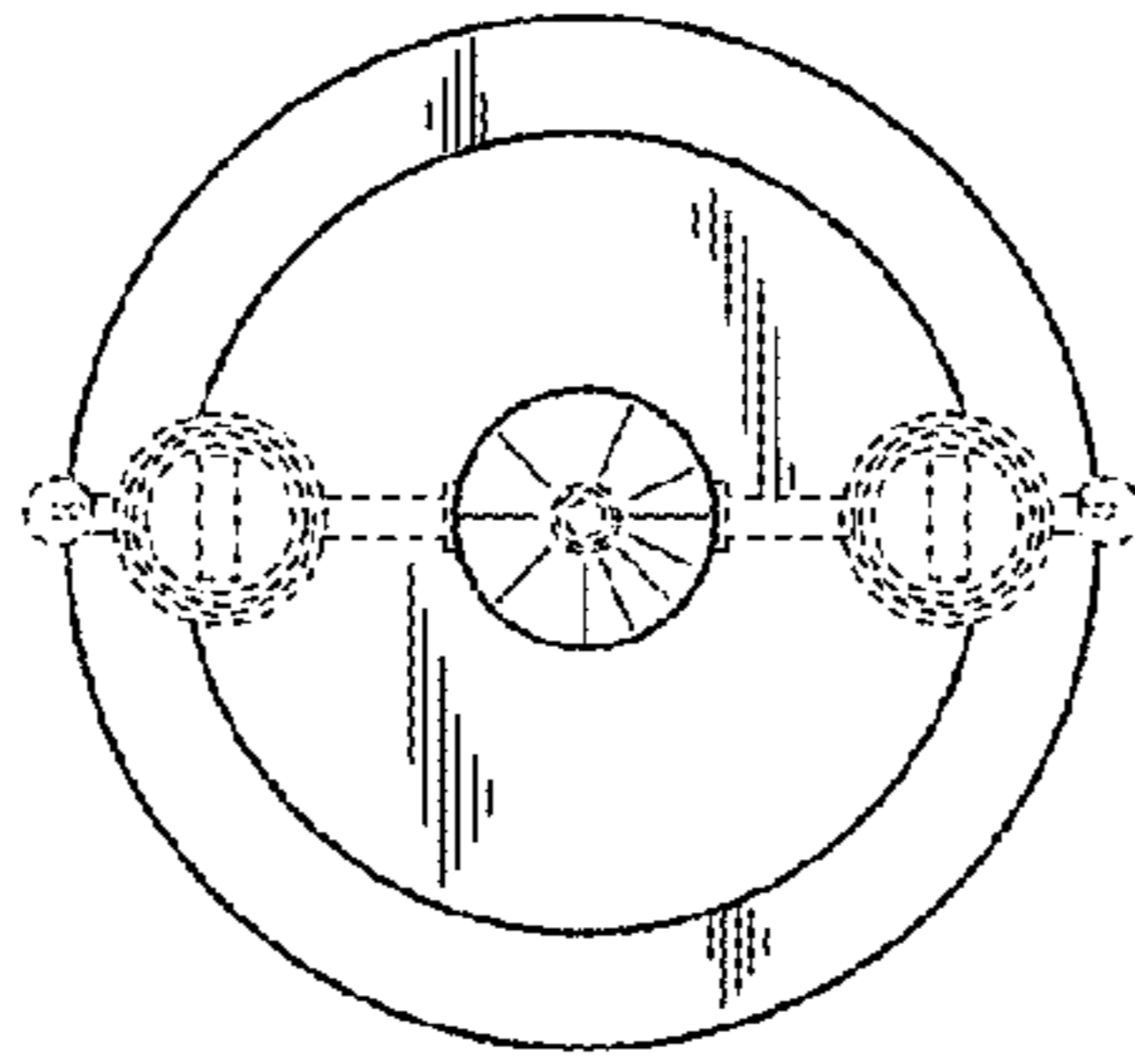


**FIG. 7**

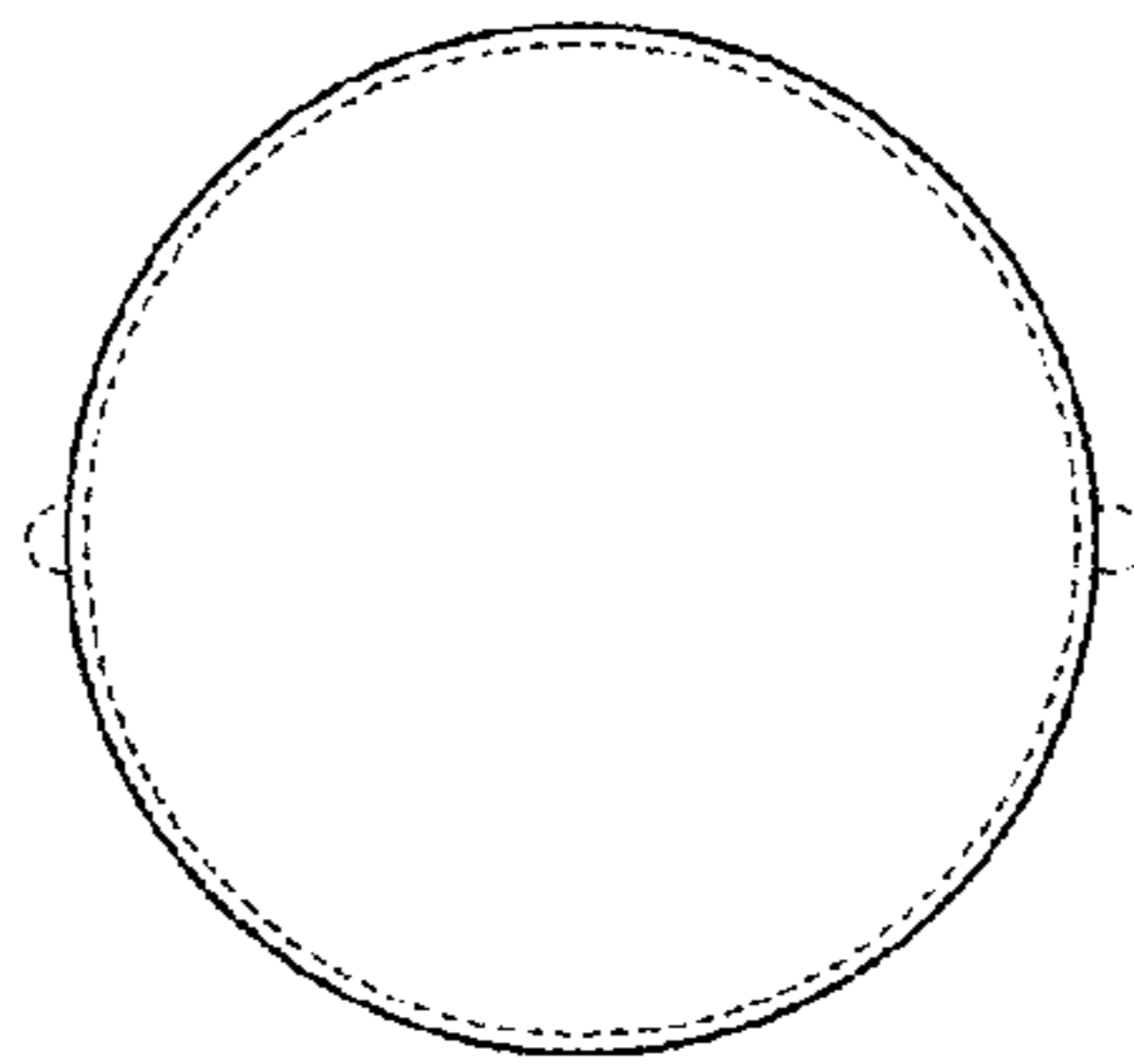




**FIG. 8**



**FIG. 9**



**FIG. 10**