



US00D769510S

(12) **United States Design Patent**
Kao

(10) **Patent No.:** **US D769,510 S**
(45) **Date of Patent:** **** Oct. 18, 2016**

(54) **LAMP STAND**

(71) Applicant: **Yu-Che Kao**, Taichung (TW)

(72) Inventor: **Yu-Che Kao**, Taichung (TW)

(**) Term: **15 Years**

(21) Appl. No.: **29/539,861**

(22) Filed: **Sep. 17, 2015**

(51) **LOC (10) Cl.** **26-03**

(52) **U.S. Cl.**
USPC **D26/99**

(58) **Field of Classification Search**
USPC D26/99
CPC F21S 6/002
See application file for complete search history.

(56) **References Cited**

U.S. PATENT DOCUMENTS

D565,782 S *	4/2008	Opolka	D26/99
D578,245 S *	10/2008	Maldonado	D26/99
D685,516 S *	7/2013	Shaheen	D26/99
D733,350 S *	6/2015	Kim	D26/99

* cited by examiner

Primary Examiner — Brian N Vinson

(74) *Attorney, Agent, or Firm* — Guice Patents PLLC

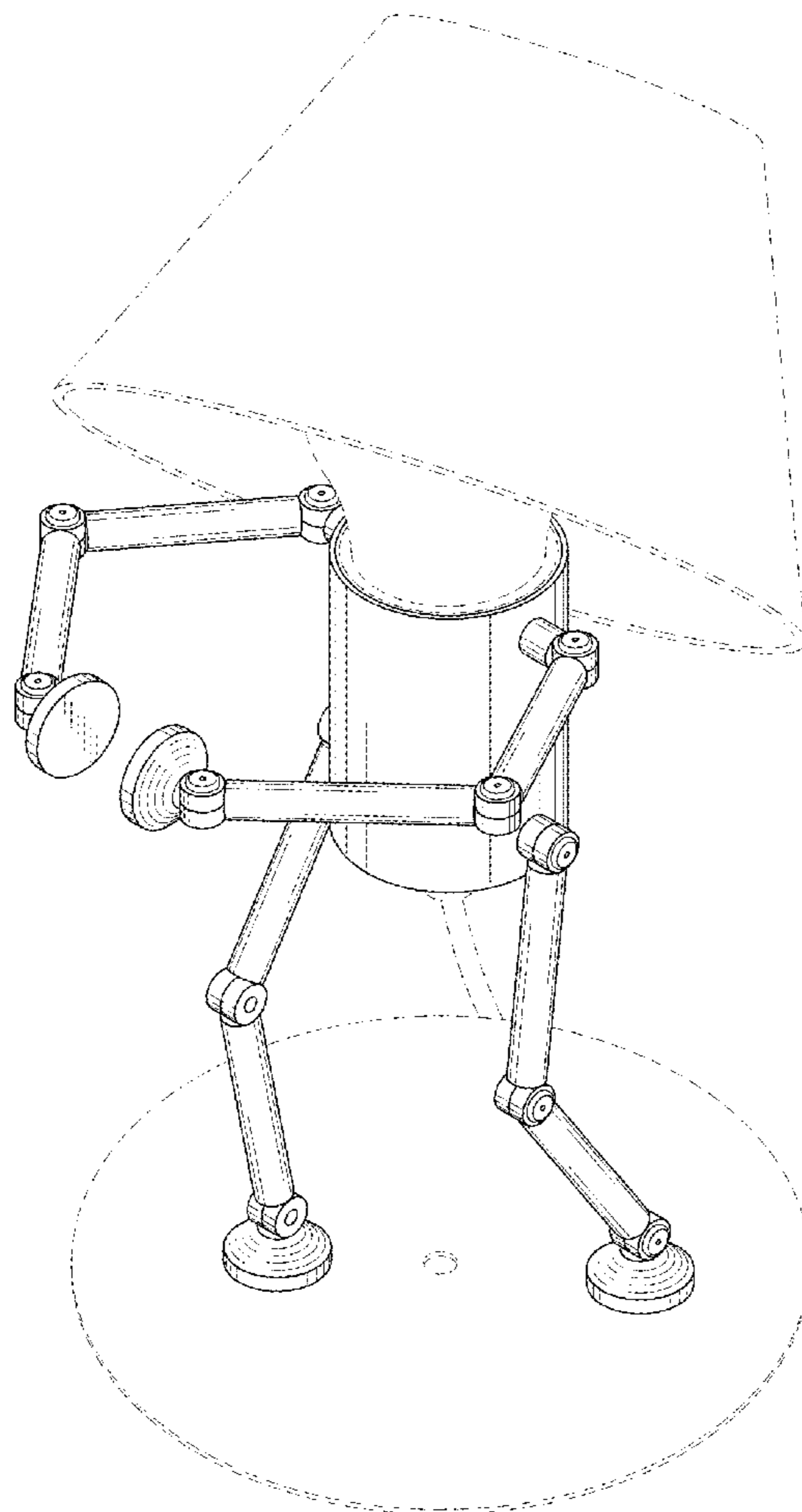
(57) **CLAIM**

I claim that the ornamental design for a lamp stand, as shown.

DESCRIPTION

FIG. 1 is a perspective view of a lamp stand showing my new design;
 FIG. 2 is a front elevational view thereof;
 FIG. 3 is a rear elevational view thereof;
 FIG. 4 is a left side elevational view thereof;
 FIG. 5 is a right side elevational view thereof;
 FIG. 6 is a top plan view thereof;
 FIG. 7 is a bottom plan view thereof;
 FIG. 8 is a view showing the application thereof and wherein the broken line portion is for illustrative purpose only and forms no part of the claimed design; and,
 FIG. 9 is another view showing the application thereof, wherein the broken line portion is for illustrative purpose only and forms no part of the claimed design.

1 Claim, 7 Drawing Sheets



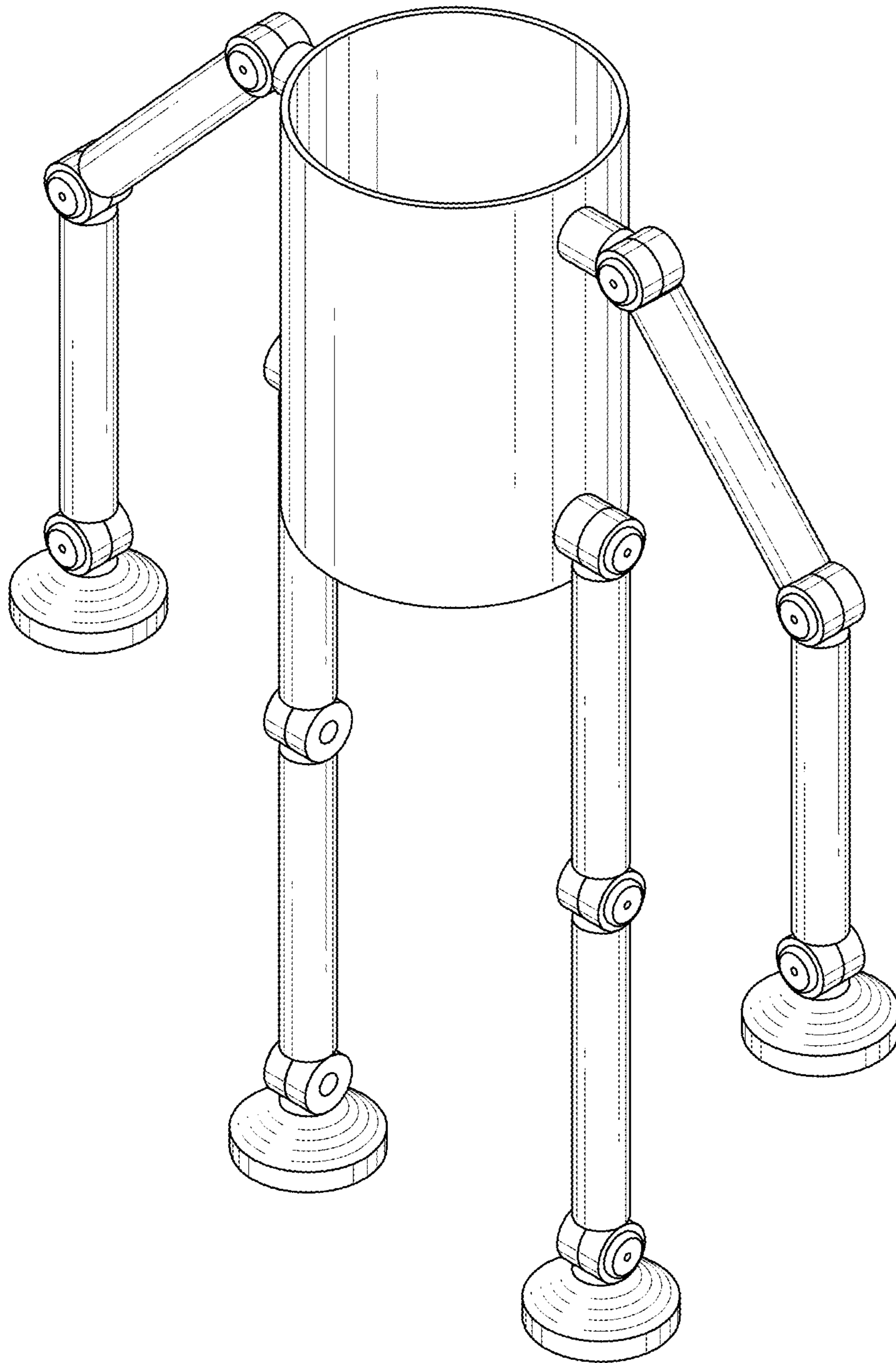


FIG.1

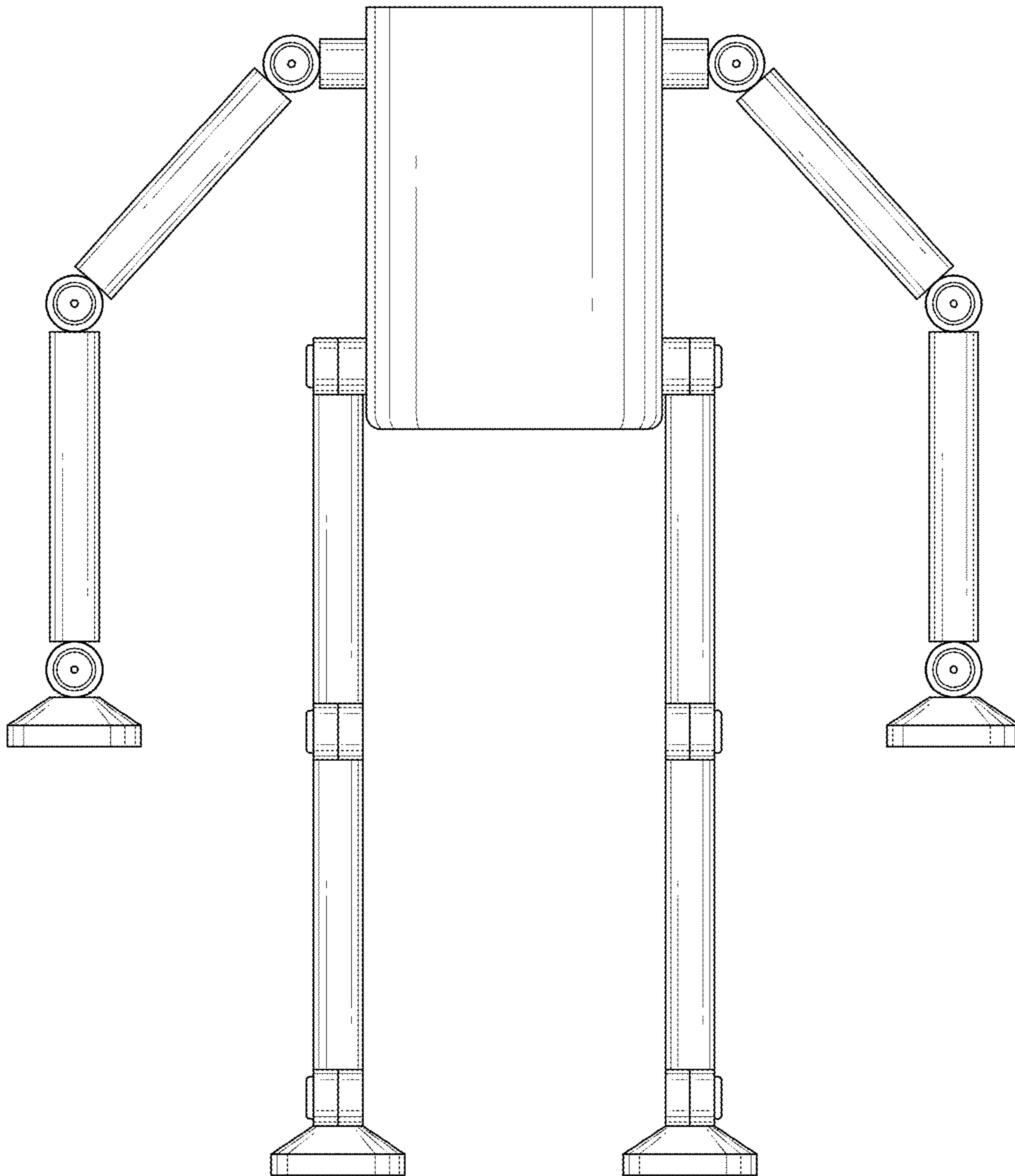


FIG.2

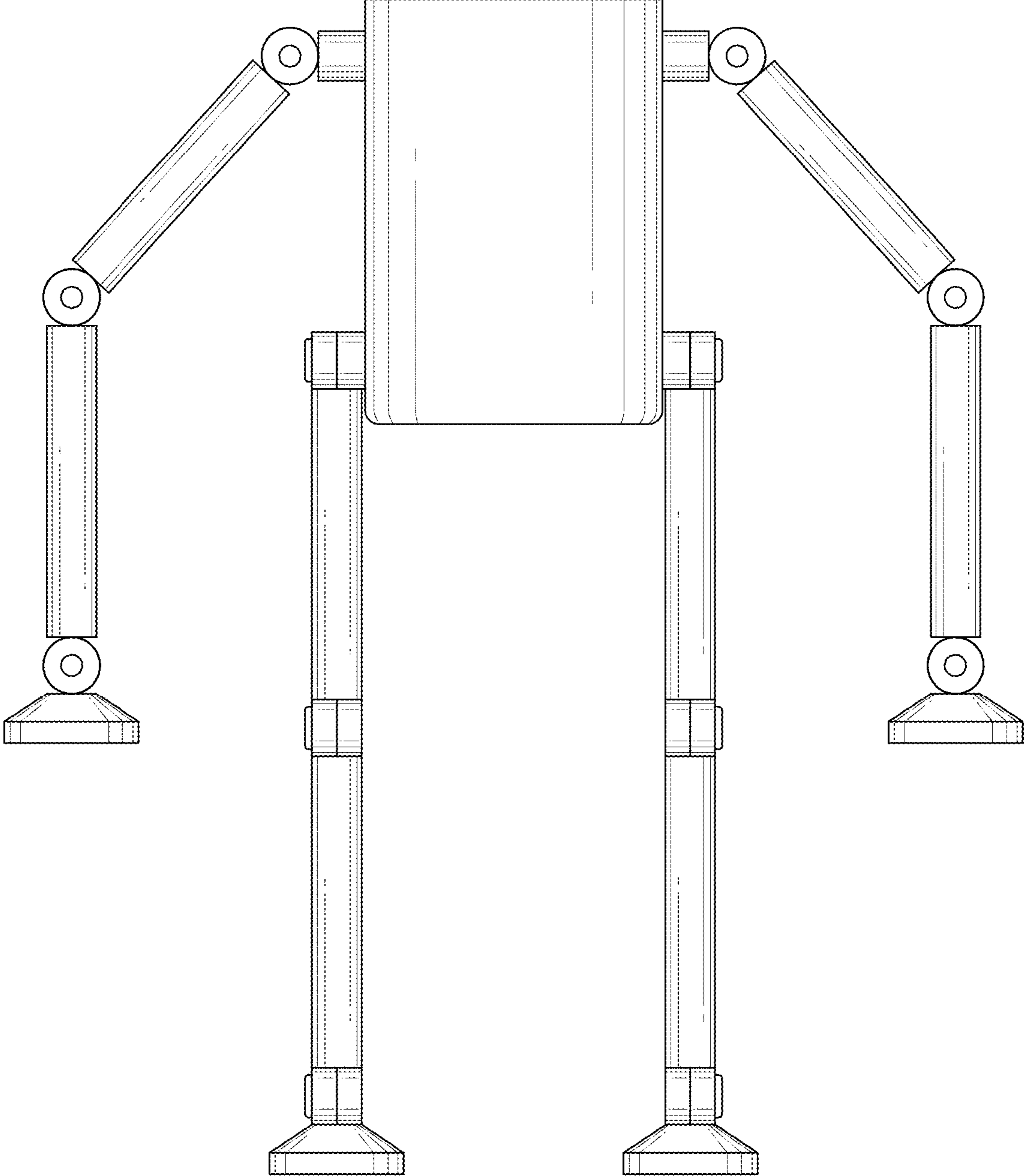


FIG.3

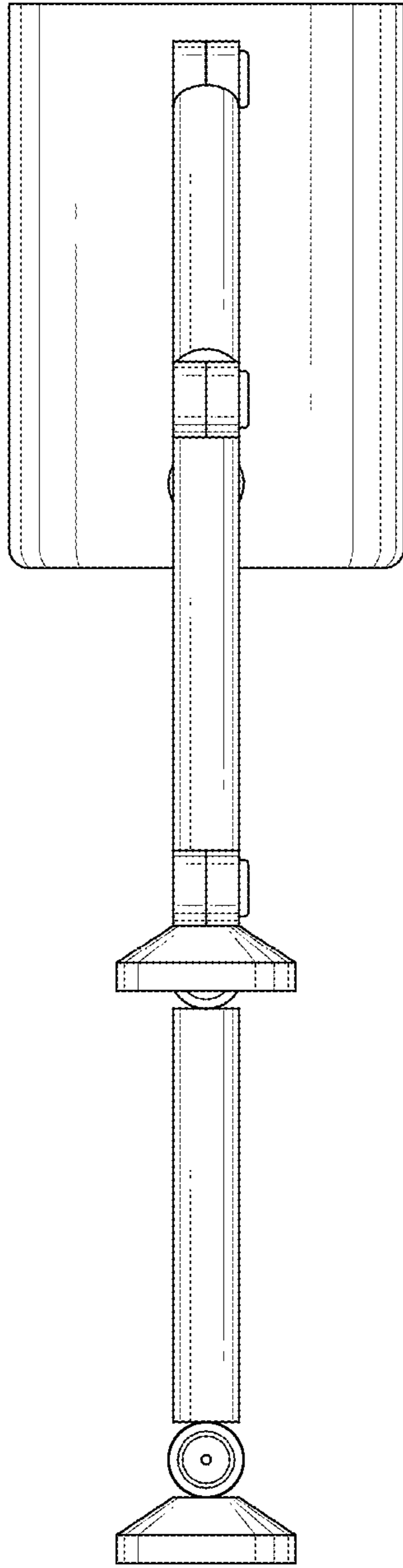


FIG.4

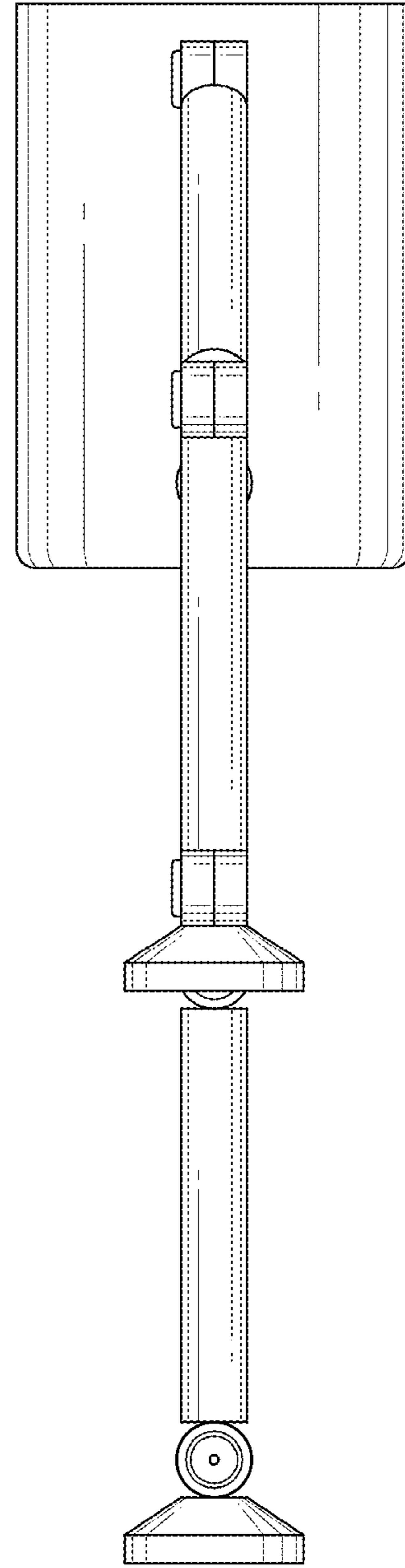


FIG.5

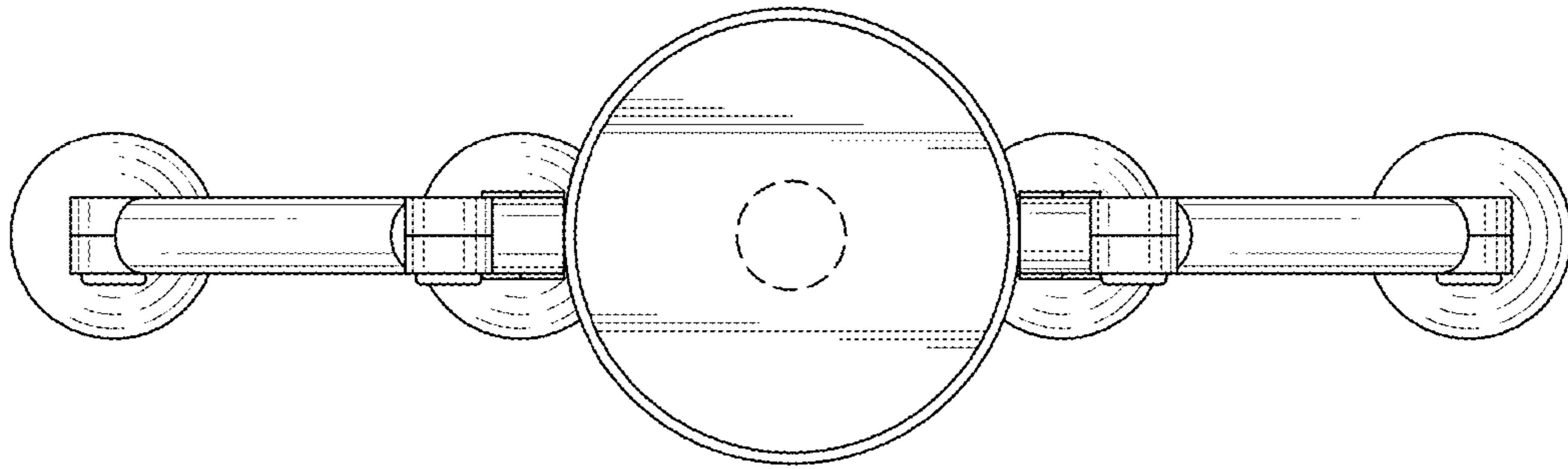


FIG. 6

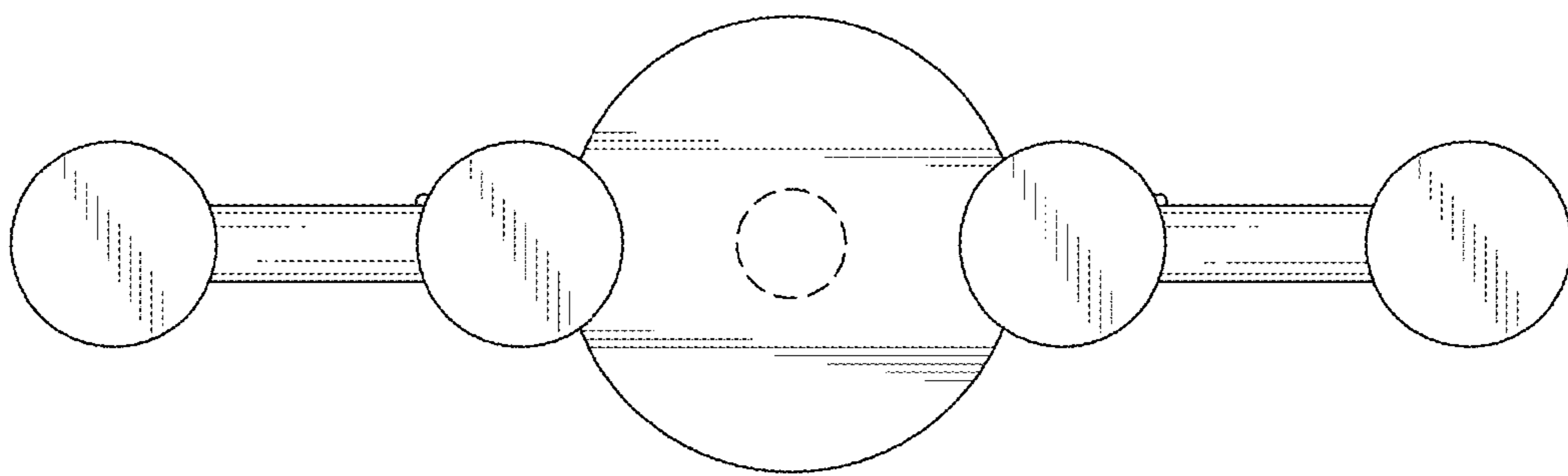


FIG. 7

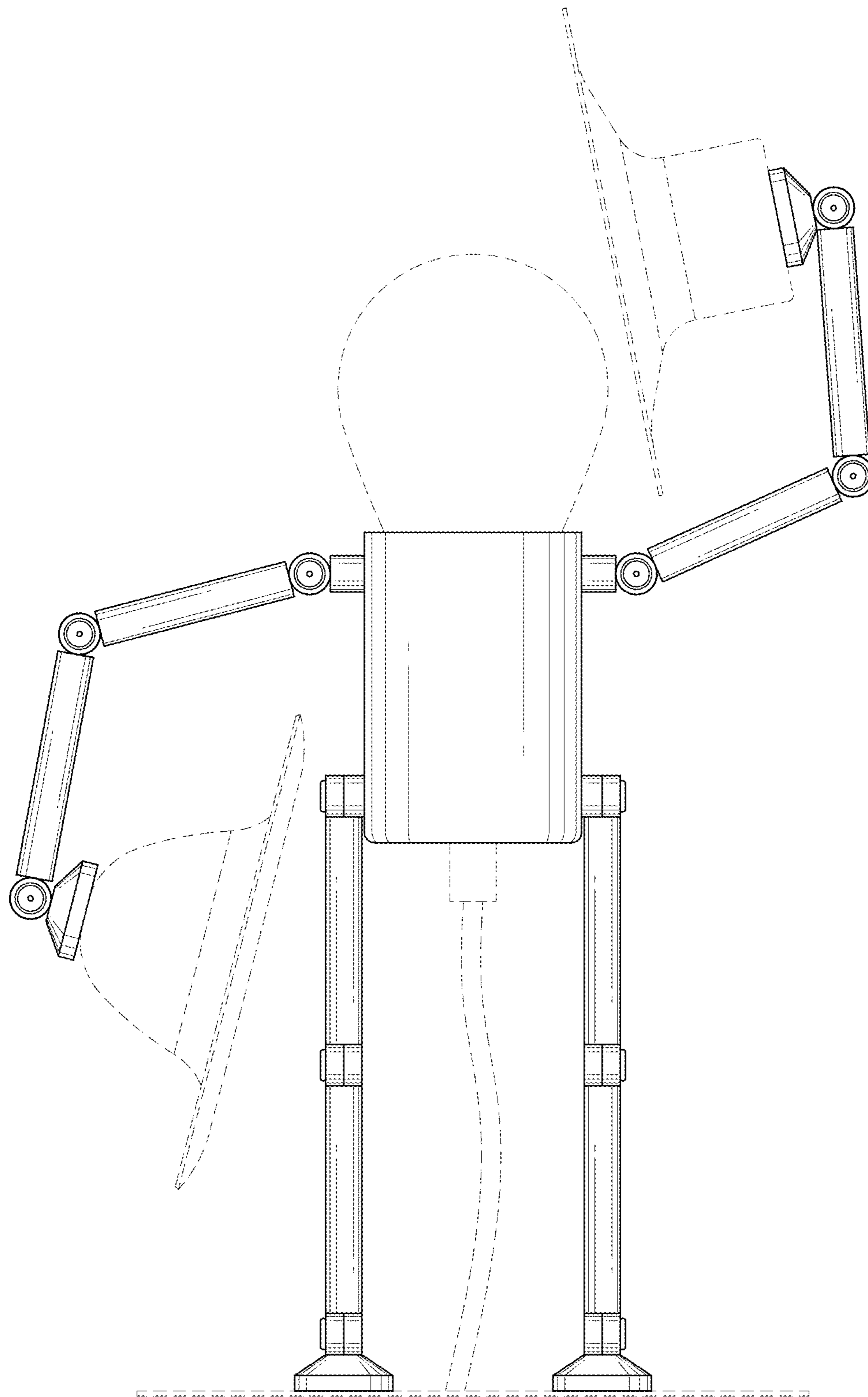


FIG.8

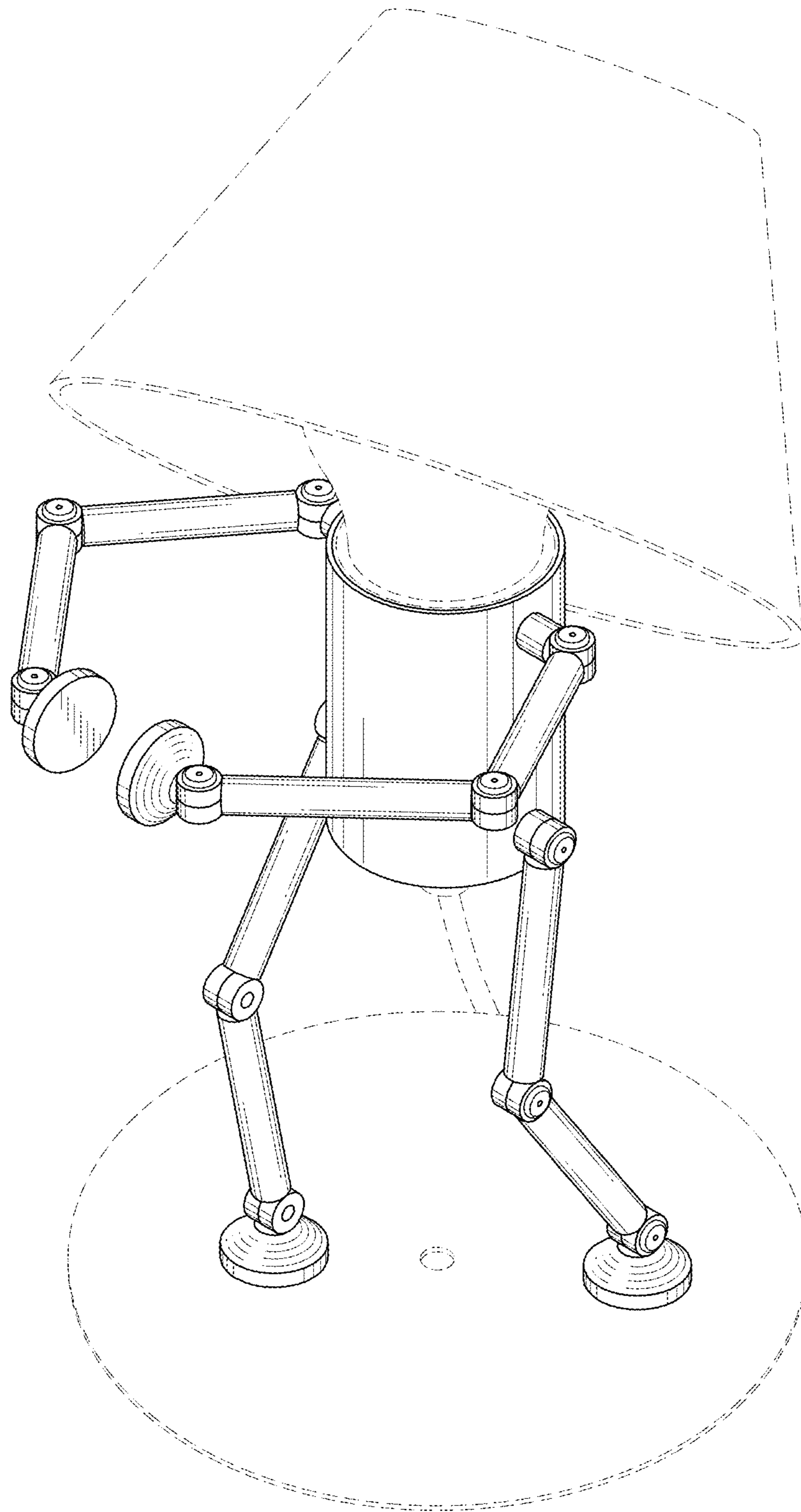


FIG.9