

US00D769507S

(12) **United States Design Patent**  
**Raasch et al.**

(10) **Patent No.:** **US D769,507 S**

(45) **Date of Patent:** **\*\* Oct. 18, 2016**

(54) **LAMP**

(71) Applicant: **e15 Design und Distributions GmbH**,  
Frankfurt am Main (DE)

(72) Inventors: **Michael Raasch**, Taunusstein (DE);  
**Marcel Besau**, Hamburg (DE); **Eva Marguerre**, Hamburg (DE)

(73) Assignee: **e15 Design und Distributions GmbH**,  
Frankfurt am Main (DE)

(\*\*) Term: **14 Years**

(21) Appl. No.: **29/504,635**

(22) Filed: **Oct. 8, 2014**

(51) **LOC (10) Cl.** ..... **26-03**

(52) **U.S. Cl.**  
USPC ..... **D26/88**

(58) **Field of Classification Search**  
USPC ..... D26/80-92, 118  
CPC ..... F21W 2121/00; F21S 8/00; F21S 4/00  
See application file for complete search history.

(56) **References Cited**

U.S. PATENT DOCUMENTS

D299,071 S \* 12/1988 Scarpa ..... D26/93  
D623,794 S \* 9/2010 Ngai ..... D26/88  
D643,966 S \* 8/2011 Postelmans ..... D26/88

D660,500 S \* 5/2012 Martin ..... D26/88  
D669,623 S \* 10/2012 Alverson ..... D26/88  
D688,407 S \* 8/2013 Renning ..... D26/88  
D732,227 S \* 6/2015 Blum ..... D26/88  
D738,558 S \* 9/2015 Silver ..... D26/88

\* cited by examiner

*Primary Examiner* — Brian N Vinson

(74) *Attorney, Agent, or Firm* — Ladas & Parry LLP

(57) **CLAIM**

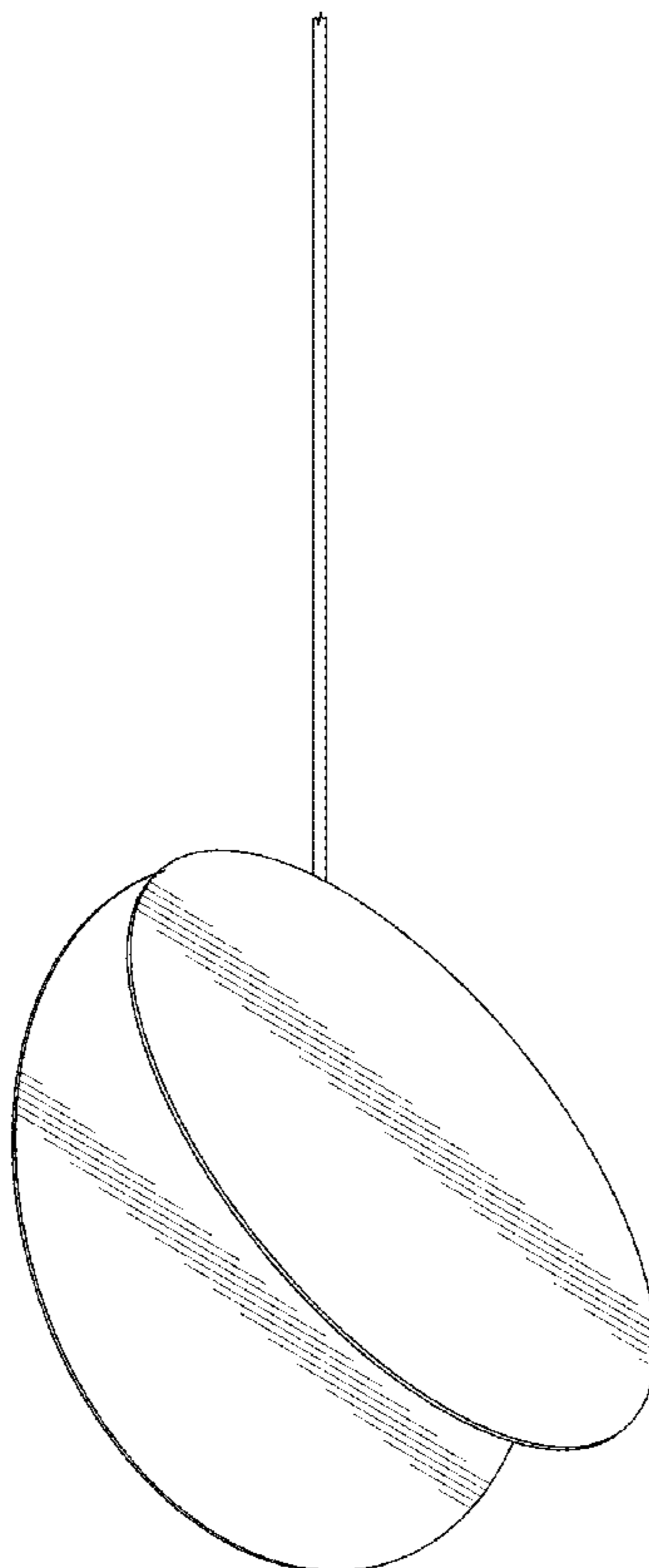
The ornamental design for a lamp, as shown and described.

**DESCRIPTION**

FIG. 1 is a perspective view showing my new design;  
FIG. 2 is a front elevational view thereof;  
FIG. 3 is a right elevational view thereof; and,  
FIG. 4 is a top plan view thereof.

The broken lines shown in FIGS. 3 and 4 form no part of the claimed design.

**1 Claim, 4 Drawing Sheets**



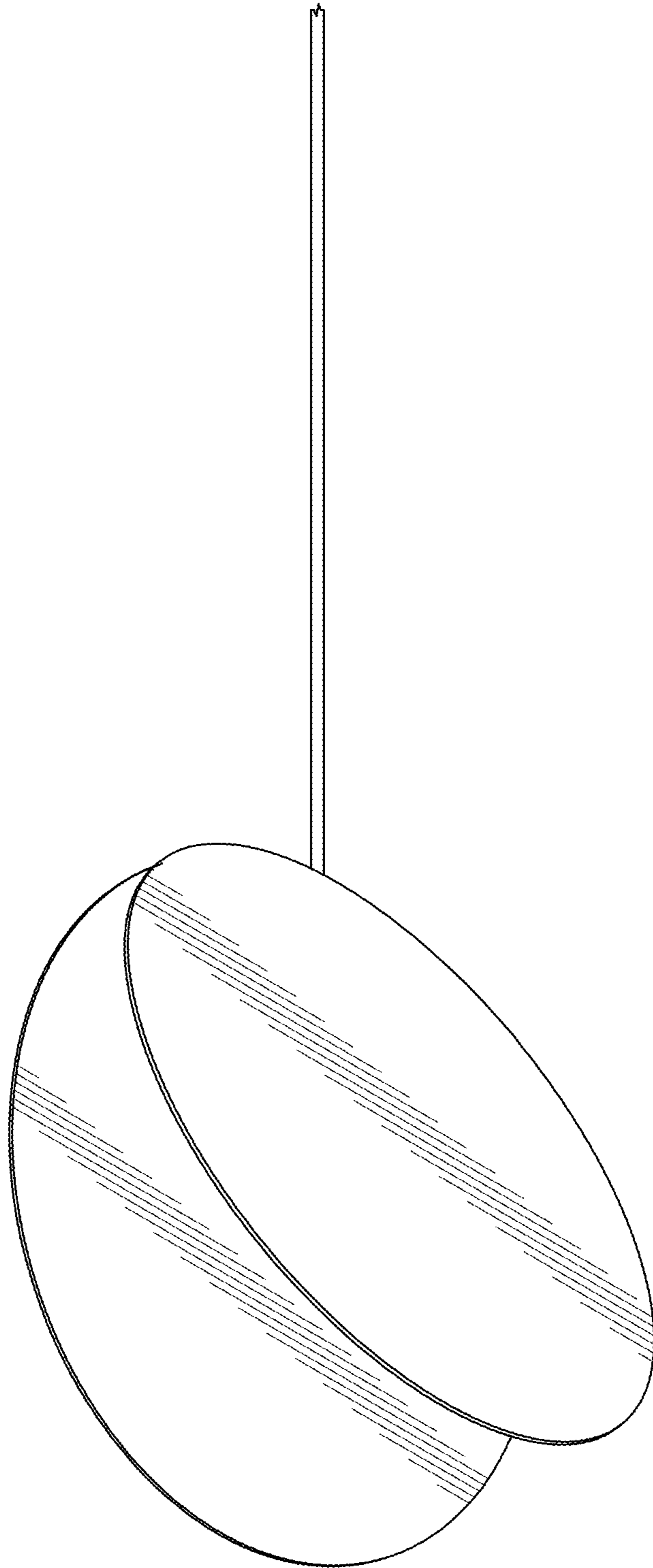


FIG. 1

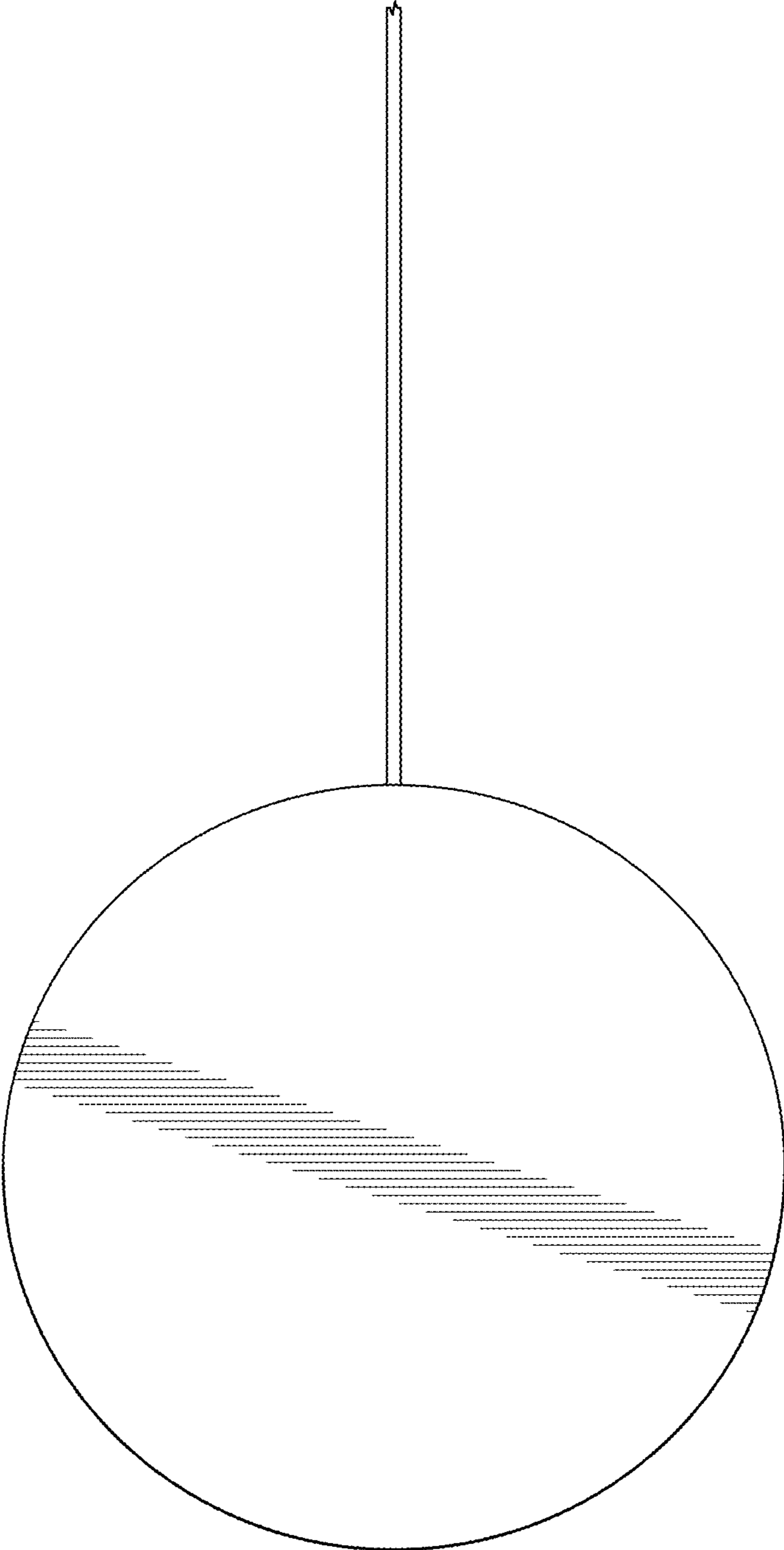


FIG. 2

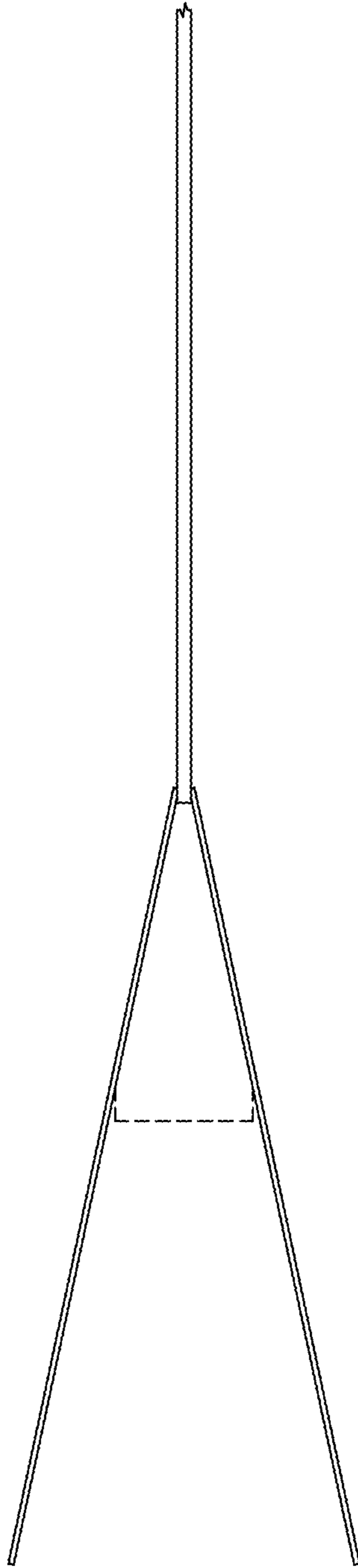


FIG. 3

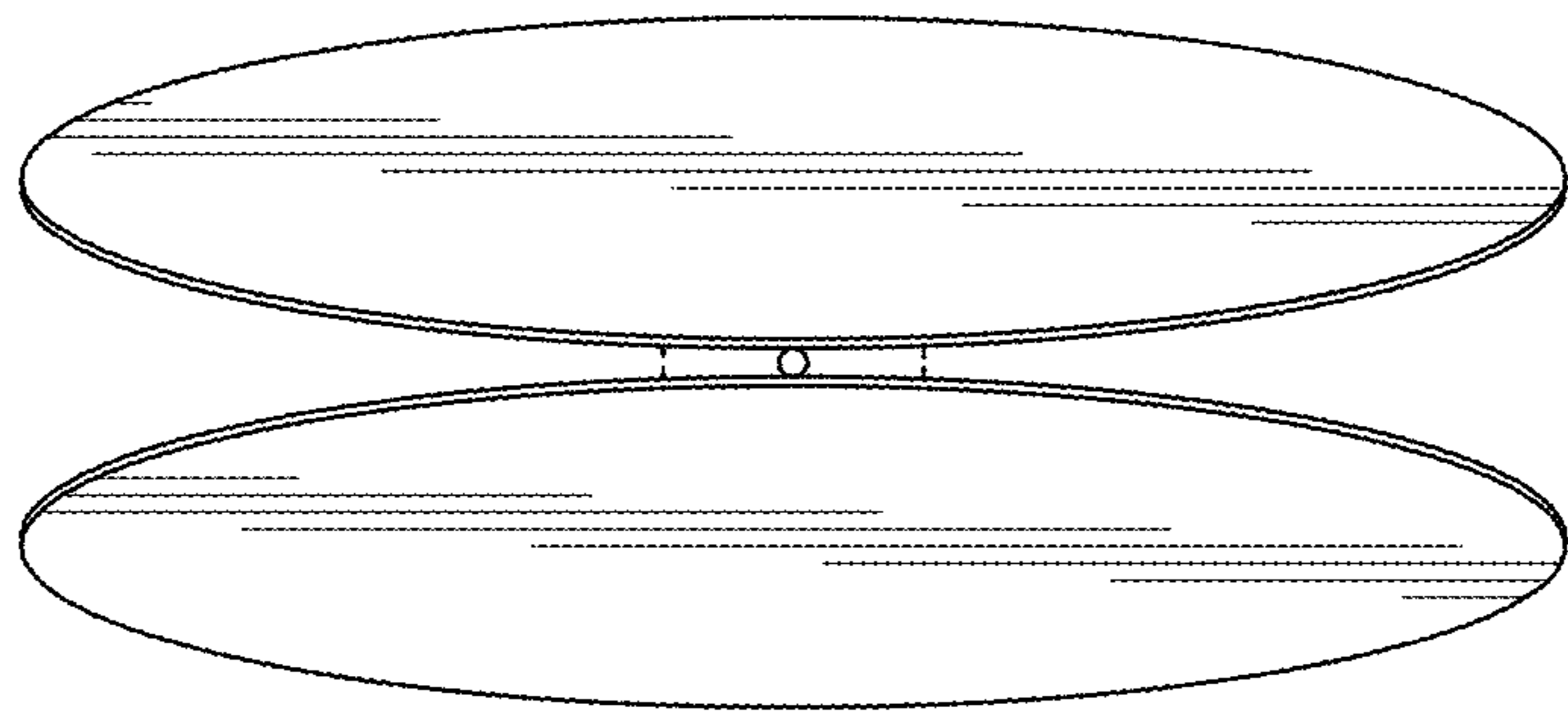


FIG. 4