



US00D769502S

(12) **United States Design Patent** (10) **Patent No.:** **US D769,502 S**
Van Lierde (45) **Date of Patent:** **** Oct. 18, 2016**

(54) **DOWNLIGHT**

- (71) Applicant: **NORD LIGHT S.p.A.**, Pontassieve (IT)
- (72) Inventor: **Jan Van Lierde**, Pontassieve (IT)
- (73) Assignee: **ARTEMIDE S.p.A.**, Milan (IT)
- (**) Term: **14 Years**
- (21) Appl. No.: **29/498,773**
- (22) Filed: **Aug. 7, 2014**

Related U.S. Application Data

- (62) Division of application No. 29/415,910, filed on Mar. 15, 2012, now Pat. No. Des. 713,585.

(30) **Foreign Application Priority Data**

Sep. 16, 2011 (EM) 001293609

(51) **LOC (10) Cl.** **26-01**

(52) **U.S. Cl.**
USPC **D26/74**

(58) **Field of Classification Search**

USPC D26/24, 26, 28, 29, 34, 37, 38, 43, 44,
D26/51, 59, 60, 61, 63, 66, 67, 68, 72, 74,
D26/76, 85, 86, 88, 89, 91, 113, 118, 119,
D26/120, 122-124, 138, 140-146;
362/145-148, 150, 153, 153.1, 218,
362/249.01-249.05, 294, 296.01, 296.07,
362/296.08, 311.07, 311.09, 311.1, 345,
362/362, 364, 365, 366, 368, 370, 371, 373,
362/397, 418, 427, 428, 460
CPC F21S 8/026; F21S 8/04; F21S 8/024;
F21S 8/00; F21S 8/022; F21V 21/04

See application file for complete search history.

(56) **References Cited**

U.S. PATENT DOCUMENTS

2,733,787 A	2/1956	Morra	
2,791,681 A	5/1957	Evans et al.	
D192,608 S	4/1962	Lawrence	
D215,003 S	8/1969	Walter et al.	
3,712,271 A	1/1973	Greathouse	
D231,356 S	4/1974	Kurz	
D231,559 S	4/1974	Darling et al.	
4,046,409 A	9/1977	Virgin	
4,067,157 A	1/1978	Robinson	
D298,276 S	10/1988	Butcher	
D304,860 S *	11/1989	O'Dohanue D26/67
D316,156 S	4/1991	Gecchelin	
D323,037 S	1/1992	Edwards	
D342,130 S	12/1993	Anderson et al.	
5,350,105 A	9/1994	Delalle et al.	
D353,910 S	12/1994	Hayman et al.	

(Continued)

OTHER PUBLICATIONS

Beveled Cylinder Down-lites Brochure, Sep. 24, 2009. Juno Lighting, http://www.electricbargainstores.com/v/vspfiles/PDF_spec/Juno/recessed/trims/4-inch-low-voltage/29-brochure.pdf.

(Continued)

Primary Examiner — Cynthia Ramirez
Assistant Examiner — Llorellys Martinez-Rivera
(74) *Attorney, Agent, or Firm* — Leason Ellis LLP

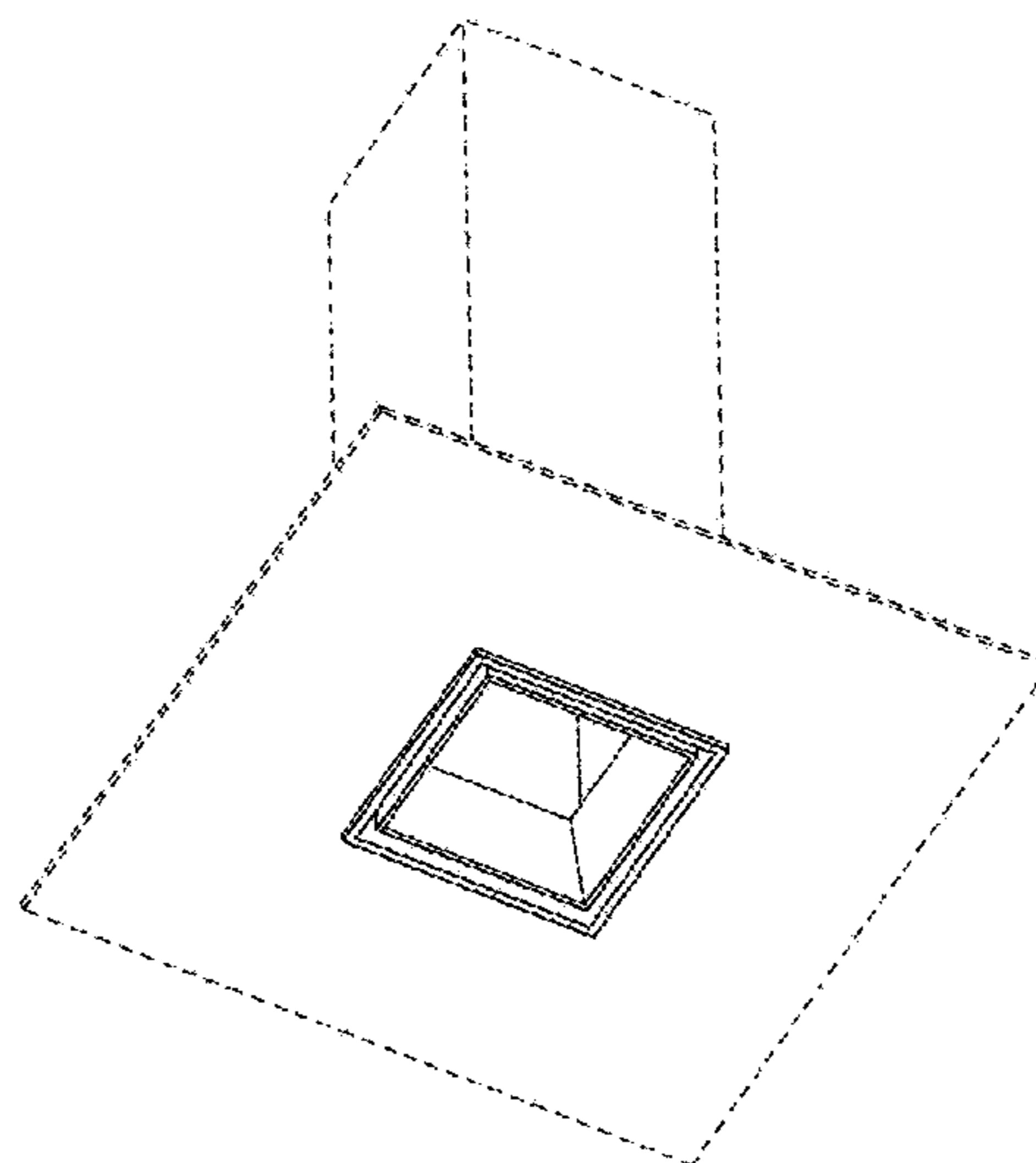
(57) **CLAIM**

The ornamental design for a downlight, as shown and described.

DESCRIPTION

FIG. 1 is a bottom perspective view of a downlight showing my new design; and, FIG. 2 is another bottom perspective view thereof. The broken lines in FIGS. 1 and 2 represent environmental subject matter only and form no part of the claimed design.

1 Claim, 2 Drawing Sheets



(56)

References Cited

U.S. PATENT DOCUMENTS

5,373,431 A 12/1994 Hayman et al.
 D402,773 S 12/1998 Lo
 D411,031 S 6/1999 Conn et al.
 D422,745 S 4/2000 Losole, III
 D426,902 S 6/2000 Hardy et al.
 6,152,746 A 11/2000 Brown
 6,213,522 B1 4/2001 Jacobson et al.
 D454,210 S 3/2002 Lindgren et al.
 D461,887 S 8/2002 Mattsson et al.
 D464,455 S 10/2002 Fong et al.
 D465,061 S 10/2002 Guthrie
 D475,781 S 6/2003 Mattsson et al.
 D488,858 S 4/2004 Stout, Jr.
 D490,581 S 5/2004 Keithly et al.
 6,814,105 B1 11/2004 Crim, Jr.
 D528,694 S 9/2006 Barozzini
 D563,579 S 3/2008 Grimberg
 D569,024 S * 5/2008 Redfern D26/74
 D571,038 S 6/2008 Chan et al.
 D575,444 S 8/2008 Lissoni
 D584,440 S 1/2009 Allen
 D597,241 S * 7/2009 Fabbri D26/74
 D600,392 S 9/2009 Ling et al.
 D602,187 S 10/2009 Fabbri et al.
 D627,498 S 11/2010 Chipperfield

D627,503 S 11/2010 Postelmans
 7,839,635 B2 11/2010 Donowho et al.
 D641,914 S 7/2011 Sprengers
 D643,957 S 8/2011 Verelst et al.
 D653,800 S 2/2012 Huang
 8,186,387 B2 5/2012 Wadsworth
 D661,421 S 6/2012 Hor et al.
 D664,287 S 7/2012 Cegnar
 D667,989 S 9/2012 May
 D668,371 S 10/2012 Alpaslan et al.
 D677,423 S 3/2013 Reddy
 D678,586 S 3/2013 Mayfield, III
 D690,805 S 10/2013 Correia
 D690,867 S 10/2013 Mayfield, III
 D738,032 S * 9/2015 Maxik D26/118
 D754,373 S * 4/2016 Lutz D26/24
 2005/0257847 A1 11/2005 Francesco et al.

OTHER PUBLICATIONS

Bevel Compact Fluorescent Downlight, May 11, 2011. USA Illumination, http://www.usaillumination.com/pdf/9700-Bevel_CFL_Spec_Sheet.pdf.
 Round recessed ceiling LED Spotlight. Apr. 16, 2013. Spyder Wever-Ducre, <http://www.weverducre.com/Catalog/en/WEVSPYDER>.

* cited by examiner

Fig. 1

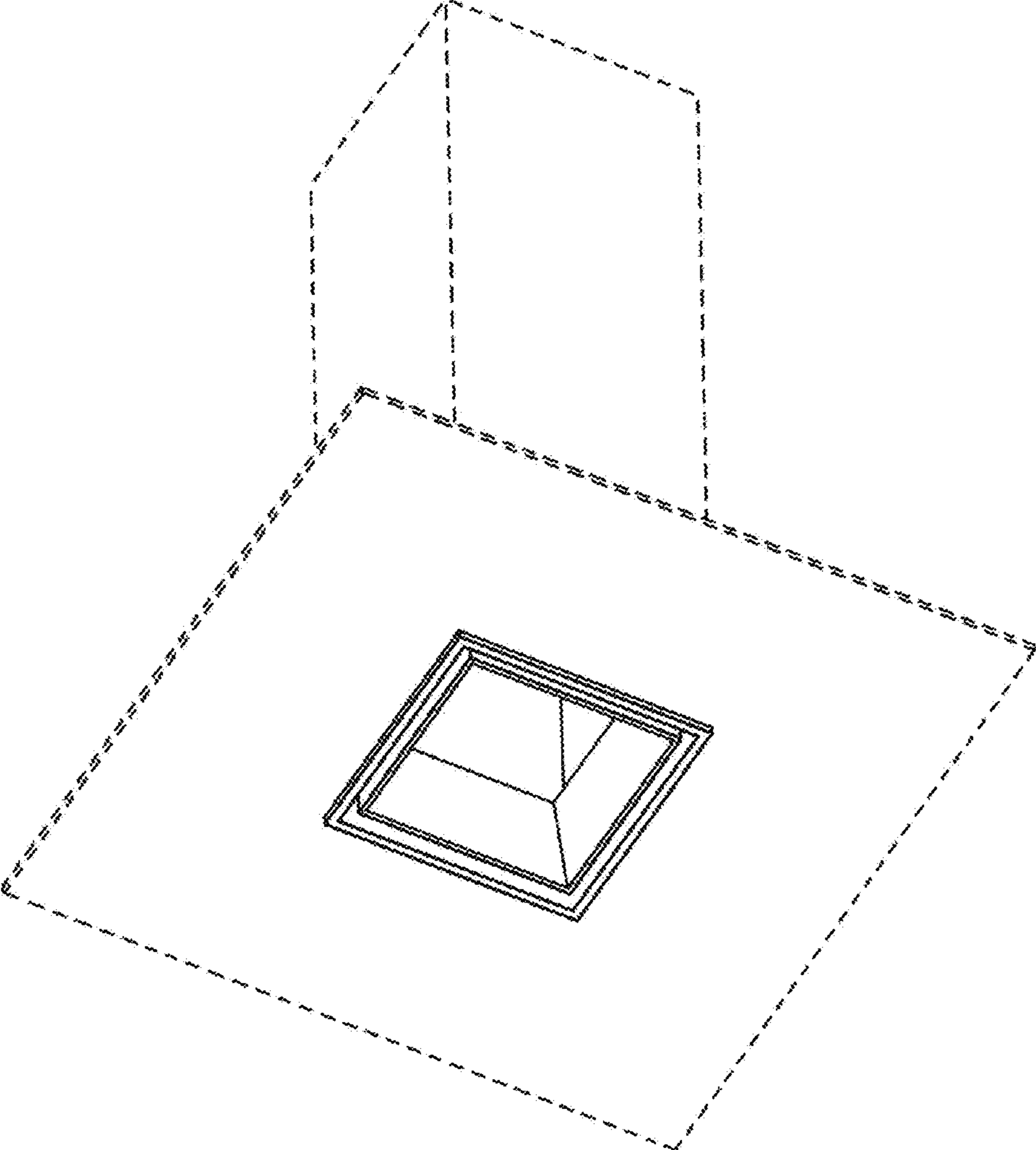


Fig. 2

