



US00D769501S

(12) **United States Design Patent** (10) **Patent No.:** **US D769,501 S**
Jeswani et al. (45) **Date of Patent:** **** Oct. 18, 2016**

(54) **RECESSED DOWNLIGHT LUMINAIRE**
(71) Applicant: **LEDVANCE LLC**, Wilmington, MA (US)
(72) Inventors: **Anil Jeswani**, Beverly, MA (US); **Jean-Francois Rouleau**, Charlestown, MA (US); **Peter Stratemeyer**, Westford, MA (US); **Zhiming Huang**, Taoyuan (CN); **Hongbiao Hou**, Xiamen (CN)
(73) Assignee: **LEDVANCE LLC**, Wilmington, MA (US)
(**) Term: **14 Years**
(21) Appl. No.: **29/491,693**
(22) Filed: **May 22, 2014**
(51) **LOC (10) Cl.** **26-05**
(52) **U.S. Cl.**
USPC **D26/74**
(58) **Field of Classification Search**
USPC D26/74, 72, 75, 76, 77, 78, 85, 88, 89, D26/118, 138, 141; 362/364, 365, 373, 145, 362/146, 147, 148, 150, 153, 153.1, 294, 362/296.01, 296.07, 296.08
CPC F21V 29/2262; F21V 7/06; F21V 21/044; F21V 21/047; F21V 29/2212; F21V 29/2225; F21V 29/2256; F21V 29/225; F21V 29/2268; F21Y 2111/002; F21S 8/02; F21S 8/026
See application file for complete search history.

D600,393 S 9/2009 Chan et al.
D601,295 S 9/2009 Brown
7,722,227 B2 5/2010 Zhang et al.
D625,876 S 10/2010 Chen et al.
D633,099 S 2/2011 Van de Ven et al.
D638,160 S 5/2011 Van De Ven et al.
D640,820 S 6/2011 Hopper
D654,205 S 2/2012 Rashidi
D656,262 S 3/2012 Yoshinobu et al.
D656,263 S 3/2012 Ogawa et al.
D659,878 S 5/2012 Rashidi
D659,892 S 5/2012 Ding et al.
D659,893 S 5/2012 Ding et al.
D667,155 S 9/2012 Rashidi
D678,583 S 3/2013 Jeswani et al.
D678,584 S 3/2013 Schmitt et al.
D678,585 S 3/2013 Schmitt et al.
D679,043 S 3/2013 Jeswani et al.
D679,044 S 3/2013 Jeswani et al.
D681,860 S 5/2013 Soni
D681,862 S 5/2013 Soni
D681,863 S 5/2013 Chen et al.
D684,286 S * 6/2013 Rashidi D26/74
D684,288 S 6/2013 Gielen
D686,769 S 7/2013 Petroski et al.
D690,451 S * 9/2013 Rashidi D26/74
D690,865 S * 10/2013 Rashidi D26/74
D691,314 S * 10/2013 Rashidi D26/74
D706,479 S * 6/2014 Jeswani D26/74
2010/0039829 A1 2/2010 Tsai
2010/0128491 A1 5/2010 Hashimoto et al.
2011/0222291 A1 9/2011 Peng
2011/0267827 A1 11/2011 Wein
2012/0140490 A1 6/2012 Rowlette, Jr. et al.

* cited by examiner
Primary Examiner — Angela J Lee
(74) *Attorney, Agent, or Firm* — Andrew Martin

(57) **CLAIM**
The ornamental design for a recessed downlight luminaire, as shown and described.

DESCRIPTION
FIG. 1 is a perspective view of a first embodiment of the ornamental design for a recessed downlight luminaire;
FIG. 2 is a front view thereof;
FIG. 3 is a back view thereof;
FIG. 4 is a right side view thereof;

(56) **References Cited**
U.S. PATENT DOCUMENTS
D320,862 S 10/1991 Moeller et al.
D326,729 S 6/1992 Gattari
D474,300 S 5/2003 Lecluze
D548,389 S 8/2007 Lecluze
D573,294 S 7/2008 Chan et al.
D581,083 S 11/2008 Chan et al.
D591,894 S 5/2009 Flank
D595,005 S 6/2009 Chou

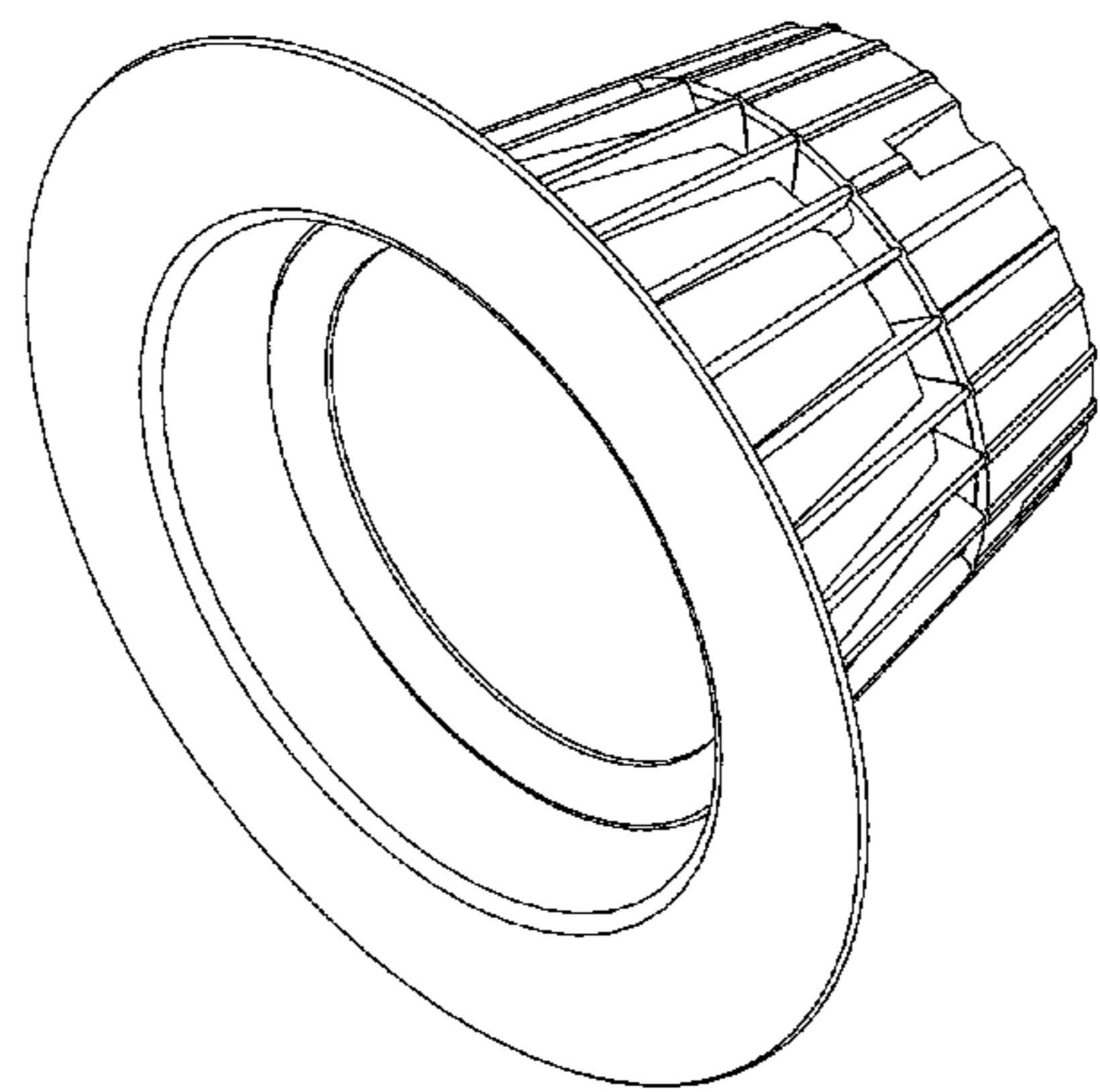


FIG. 5 is a left side view thereof;
FIG. 6 is a top view thereof; and
FIG. 7 is a bottom view thereof.
FIG. 8 is a front view of a second embodiment of the ornamental design for a recessed downlight luminaire;
FIG. 9 is a back view thereof;
FIG. 10 is a right side view thereof;
FIG. 11 is a left side view thereof;
FIG. 12 is a top view thereof;
FIG. 13 is a bottom view thereof; and
FIG. 14 is a perspective view thereof.
FIG. 15 is a front view of a third embodiment of the ornamental design for a recessed downlight luminaire;
FIG. 16 is a back view thereof;
FIG. 17 is a right side view thereof;
FIG. 18 is a left side view thereof;
FIG. 19 is a top view thereof;
FIG. 20 is a bottom view thereof; and
FIG. 21 is a perspective view thereof.
FIG. 22 is a perspective view of a fourth embodiment of the ornamental design for a recessed downlight luminaire;
FIG. 23 is a front view thereof;
FIG. 24 is a back view thereof;

FIG. 25 is a right side view thereof;
FIG. 26 is a left side view thereof; and
FIG. 27 is a top view thereof.
FIG. 28 is a front view of a fifth embodiment of the ornamental design for a recessed downlight luminaire;
FIG. 29 is a back view thereof;
FIG. 30 is a right side view thereof;
FIG. 31 is a left side view thereof;
FIG. 32 is a top view thereof;
FIG. 33 is a bottom view thereof; and
FIG. 34 is a perspective view thereof.
FIG. 35 is a front view of a sixth embodiment of the ornamental design for a recessed downlight luminaire;
FIG. 36 is a back view thereof;
FIG. 37 is a right side view thereof;
FIG. 38 is a left side view thereof;
FIG. 39 is a top view thereof; and
FIG. 40 is a perspective view thereof.
The broken-line disclosure in the views is understood to represent portions of the article in which the claimed design is embodied, but which form no part of the claimed design.

1 Claim, 40 Drawing Sheets

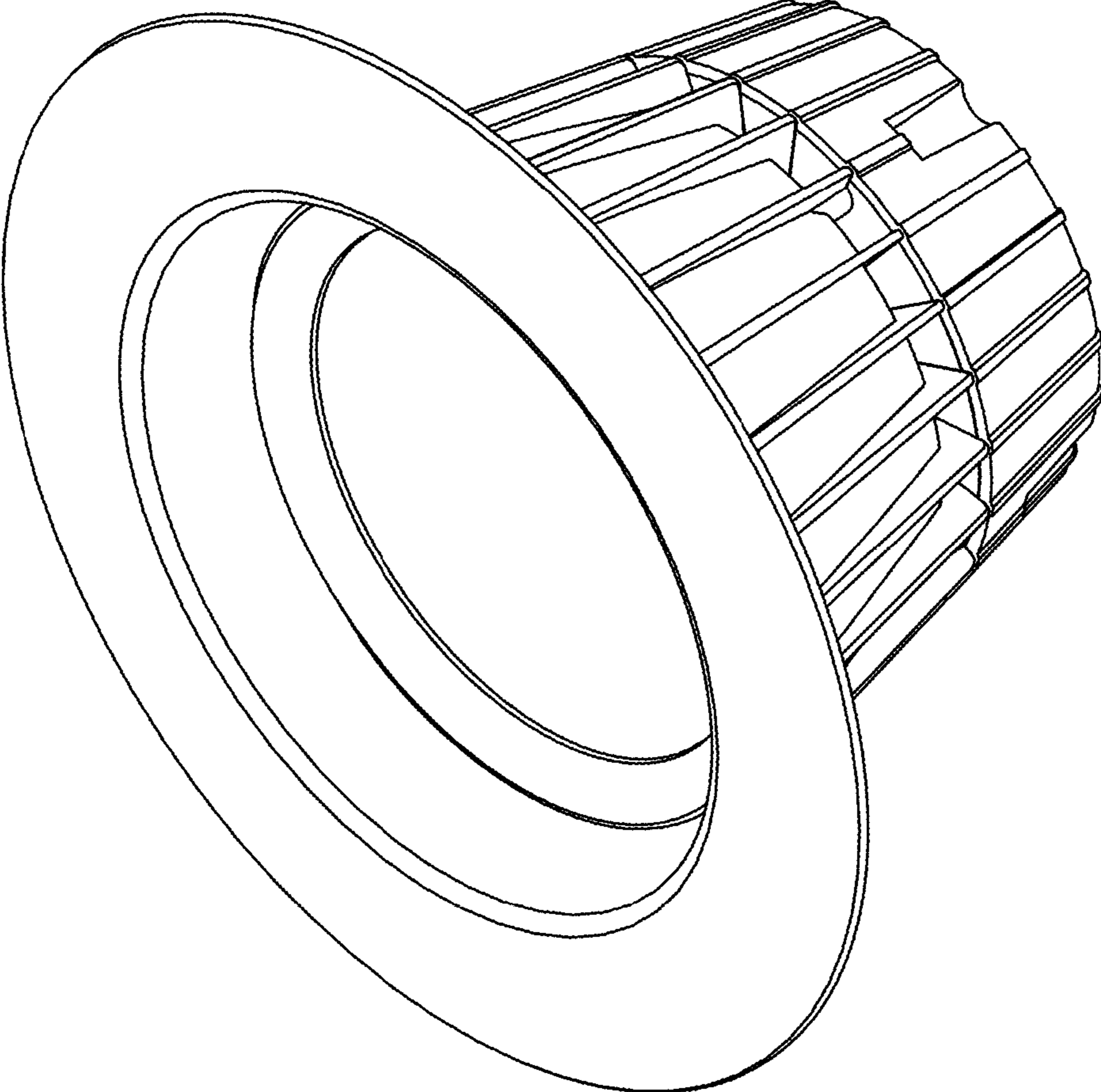


FIG. 1

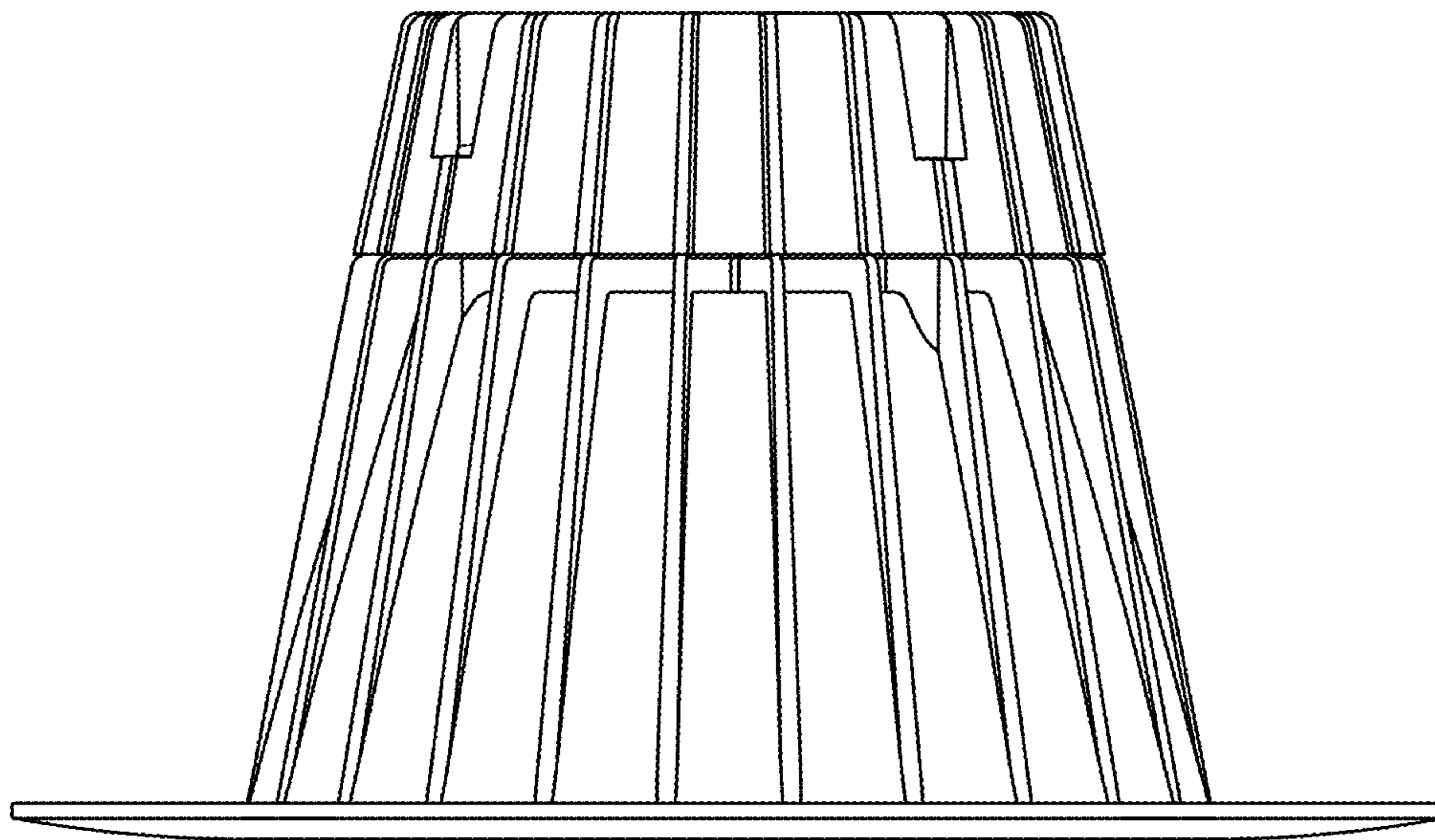


FIG. 2

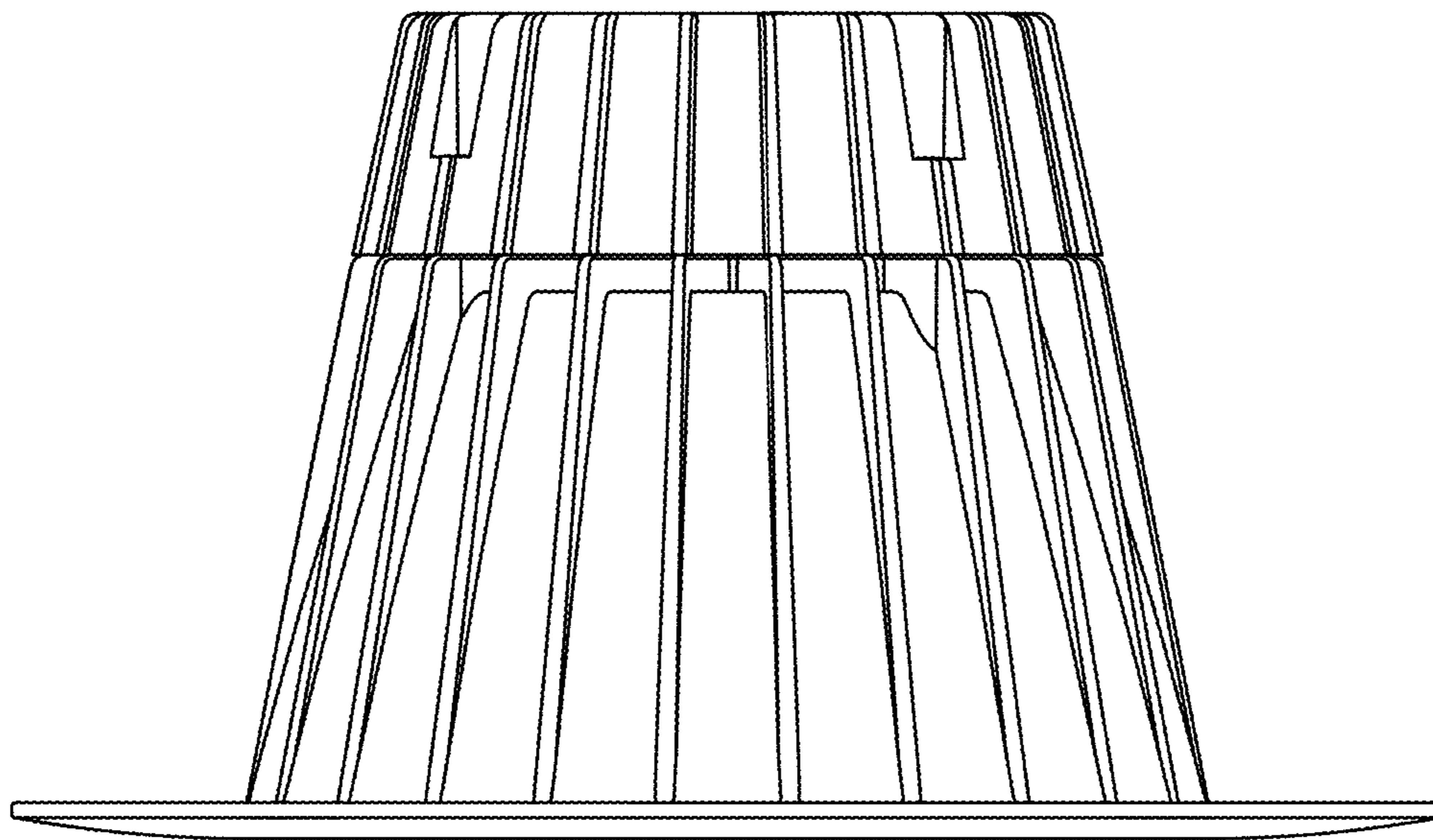


FIG. 3

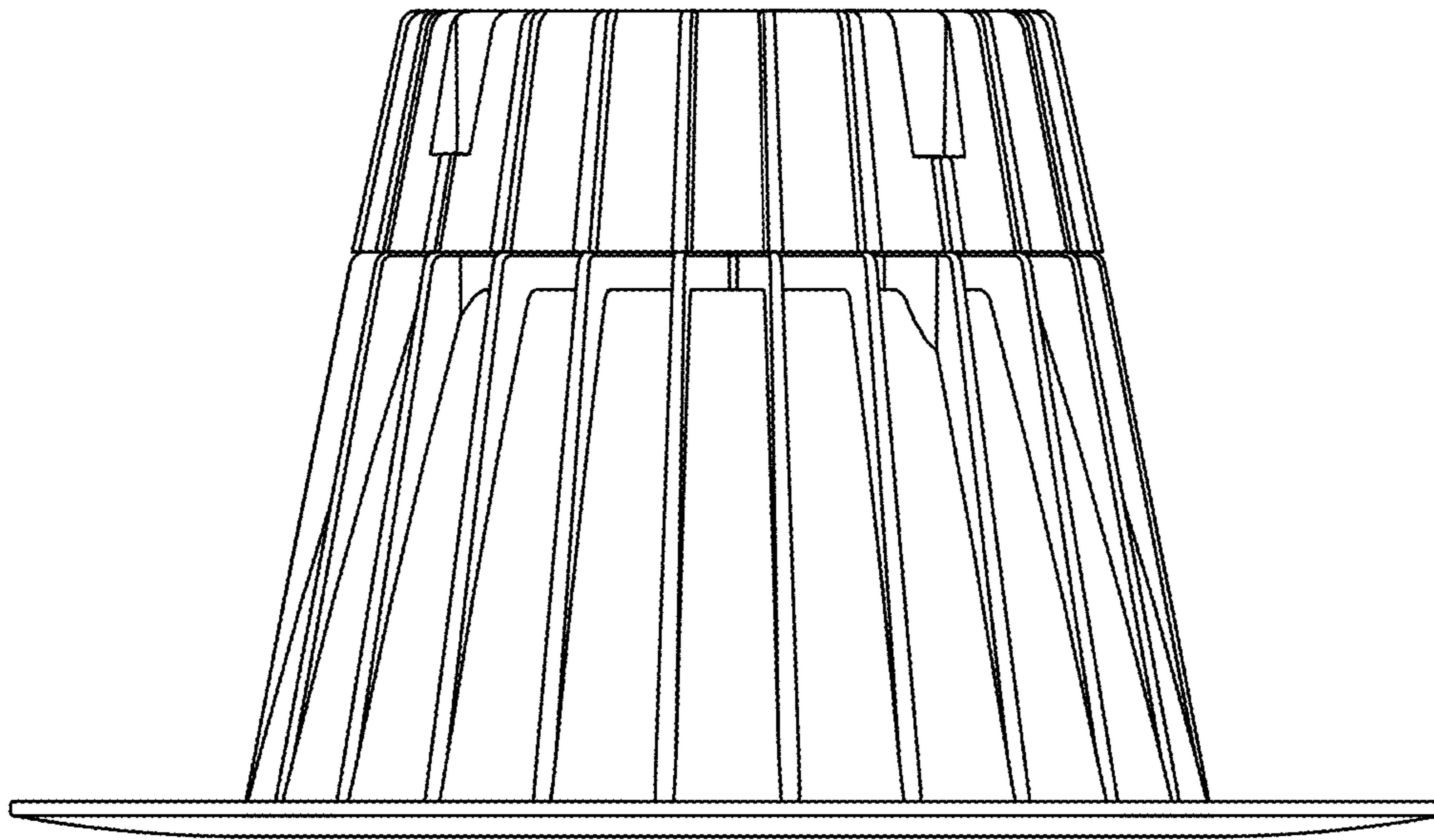


FIG. 4

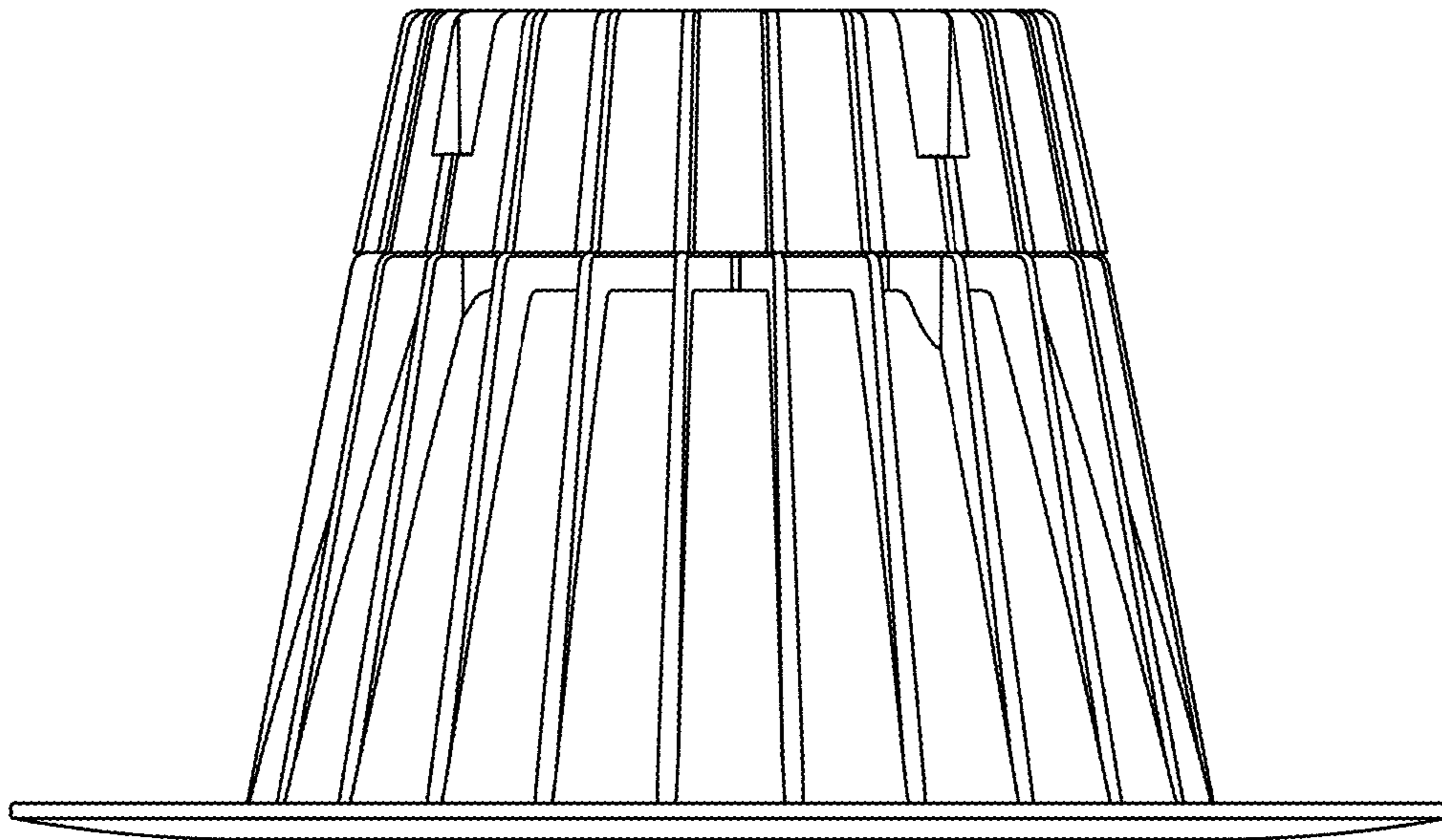


FIG. 5

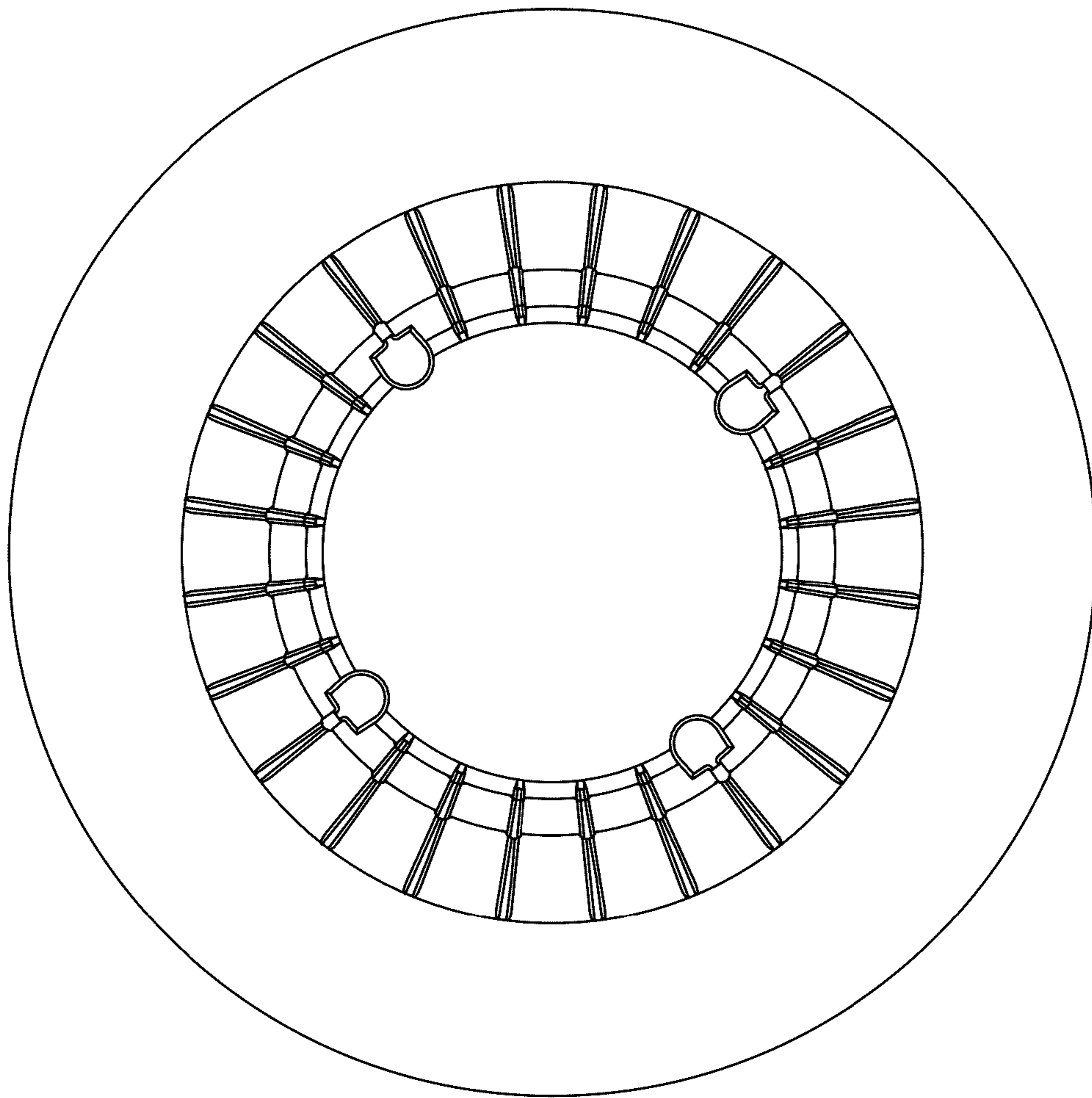


FIG. 6

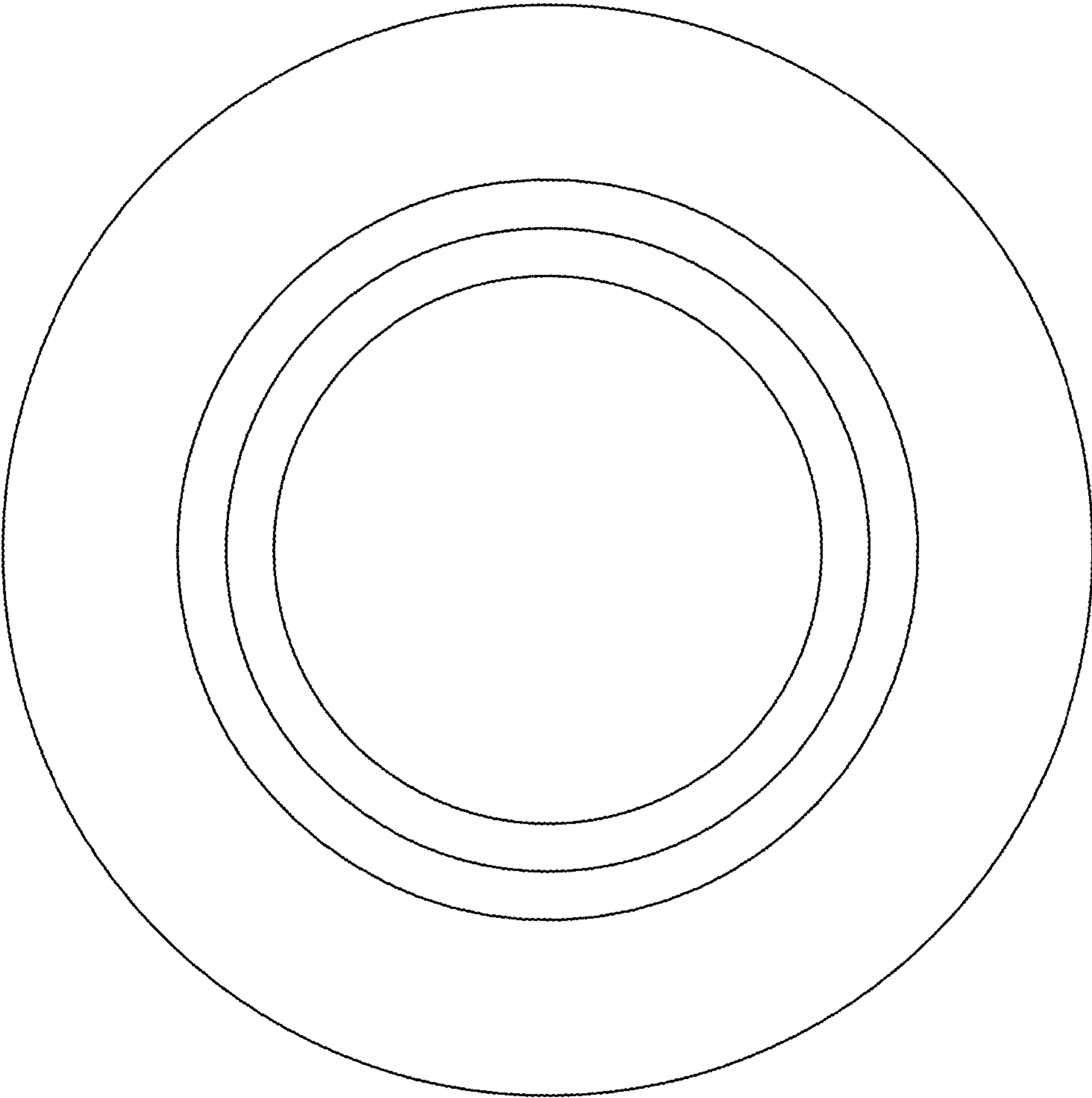


FIG. 7

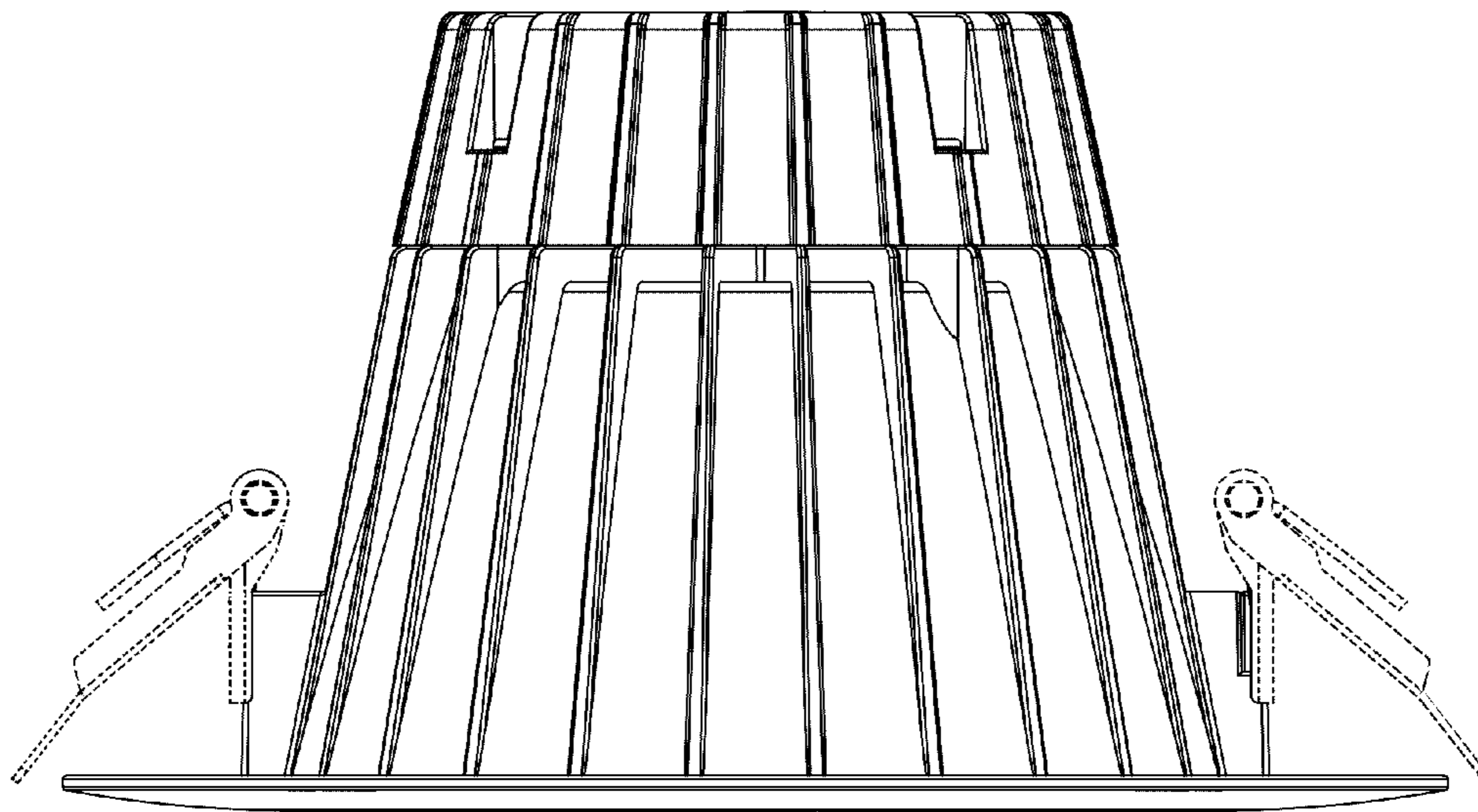


FIG. 8

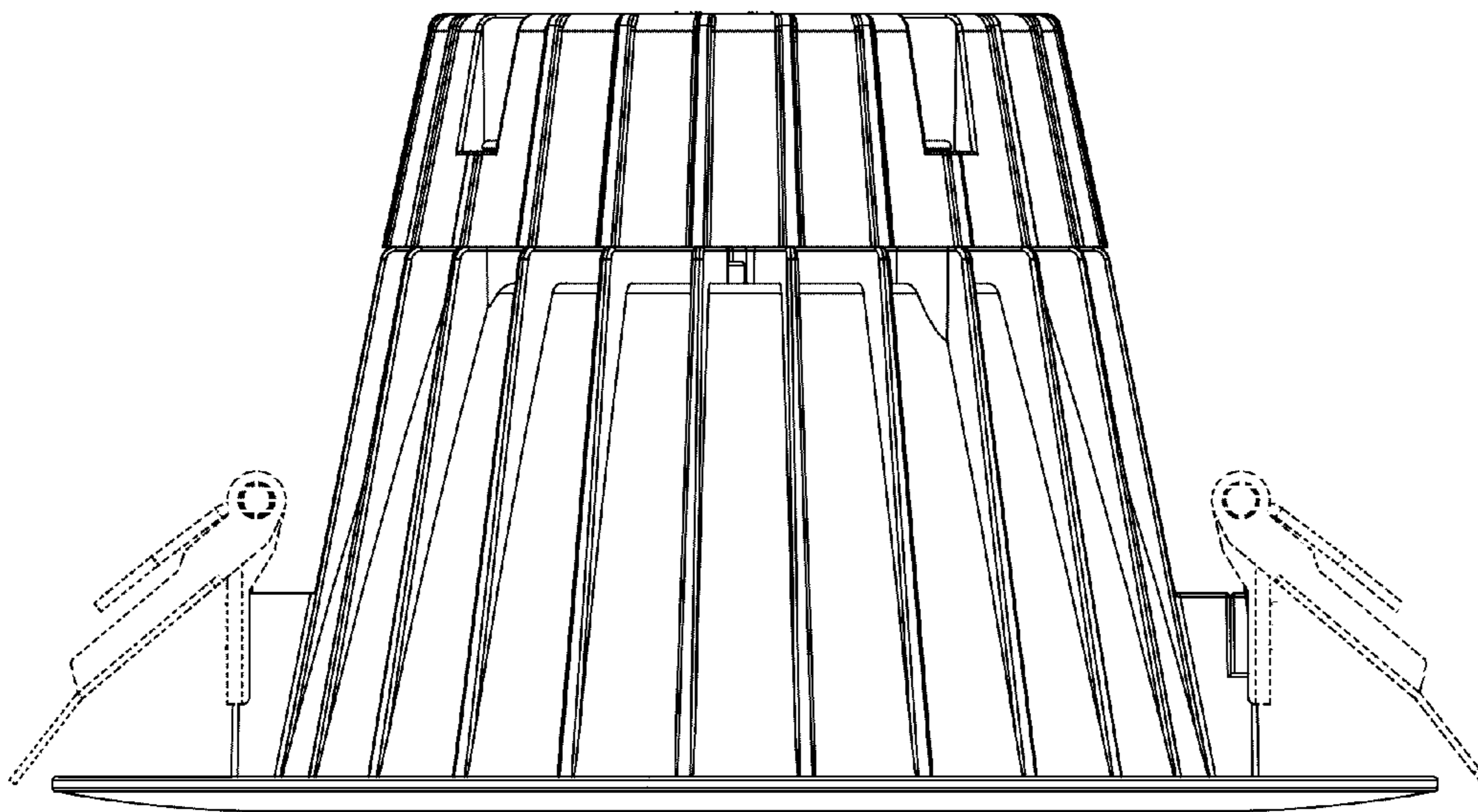


FIG. 9

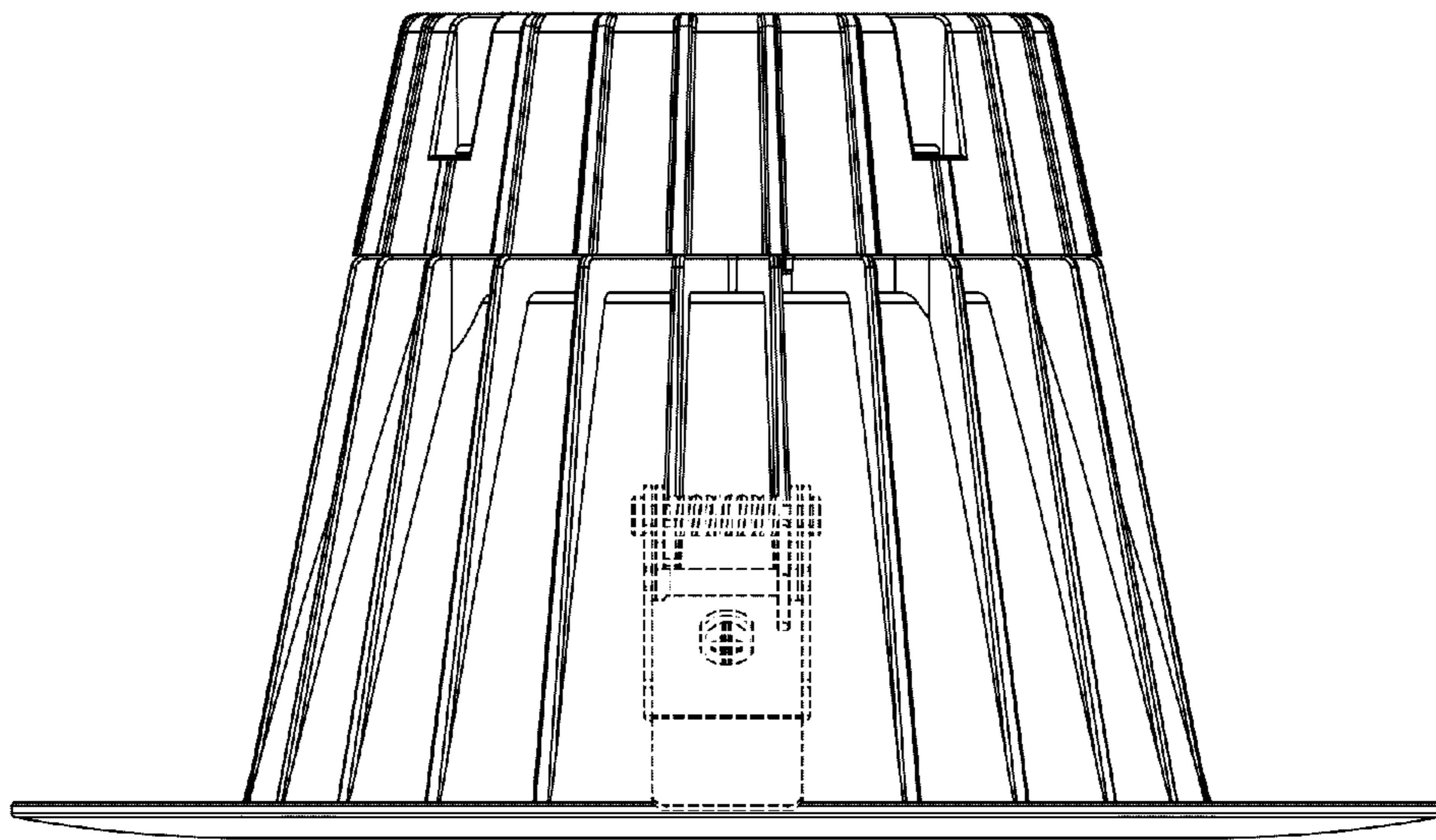


FIG. 10

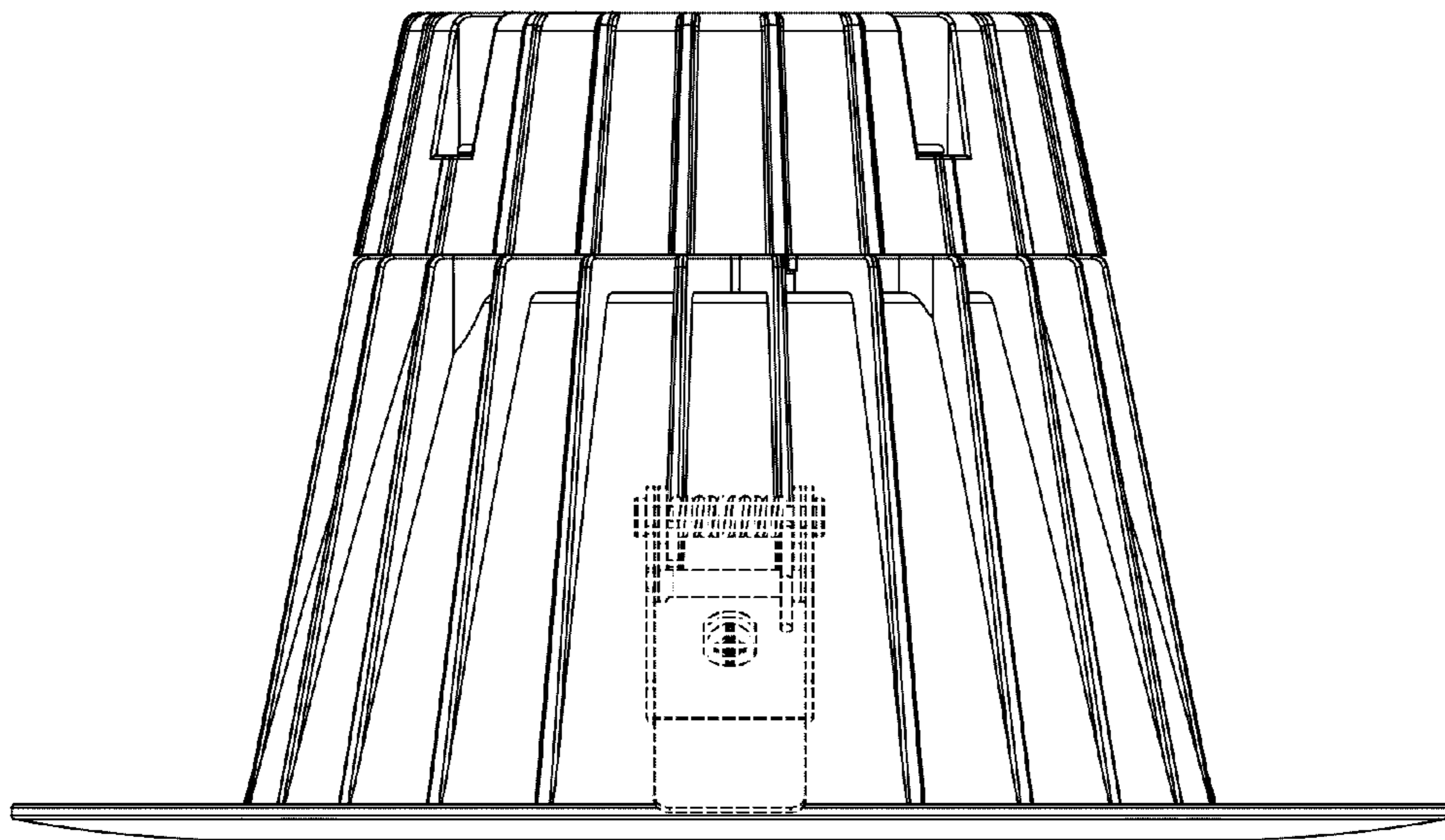


FIG. 11

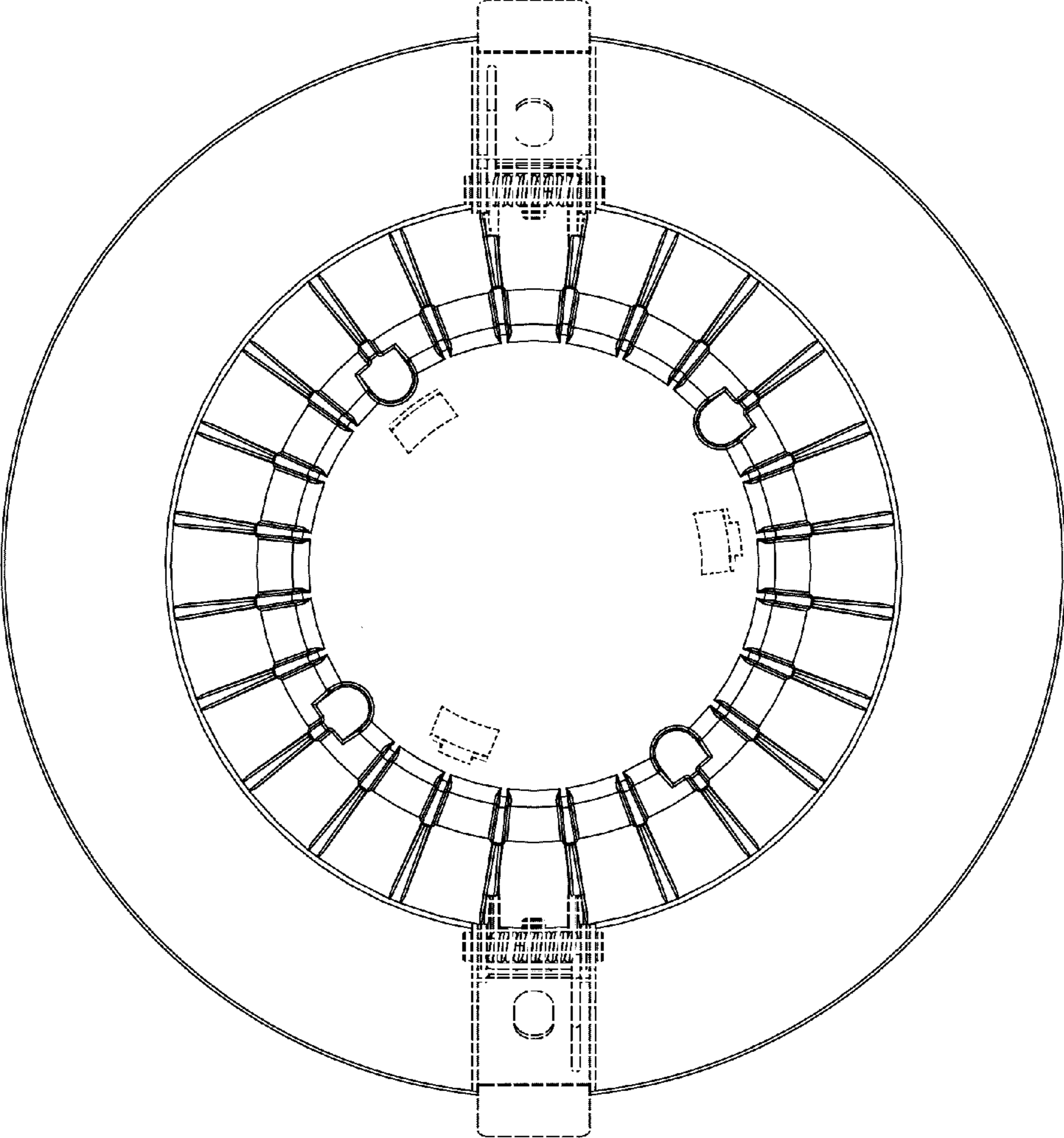


FIG. 12

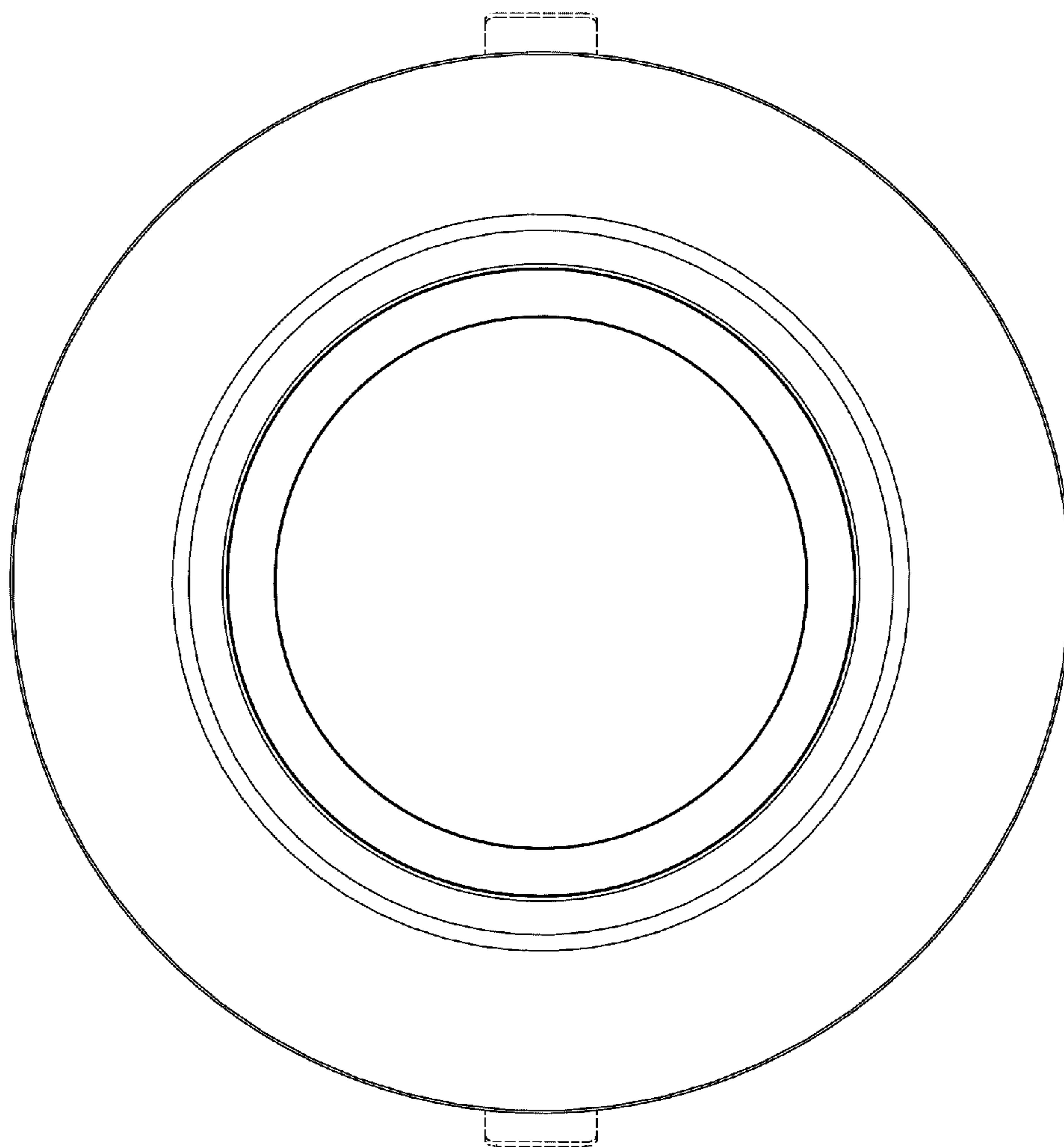


FIG. 13

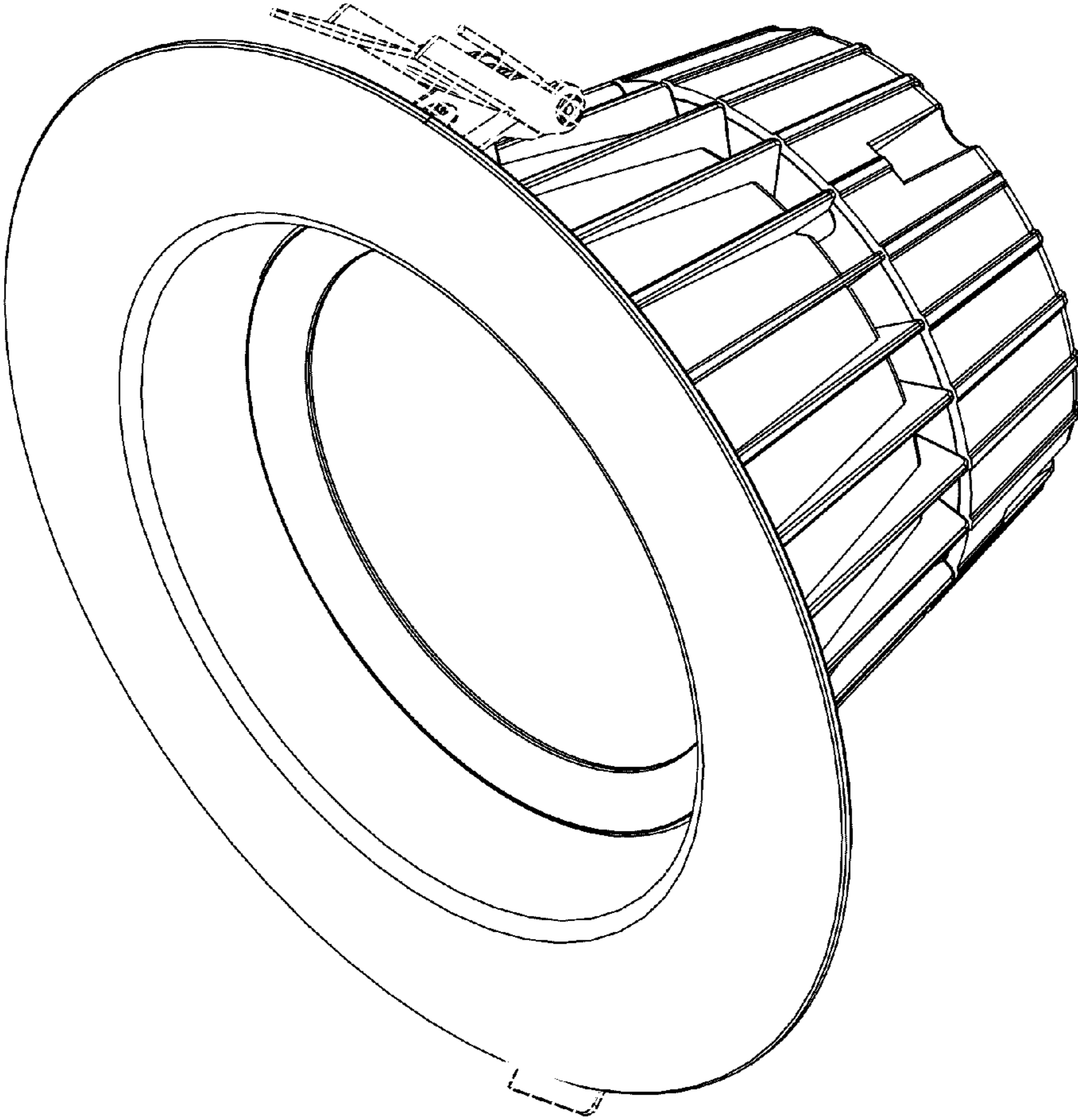


FIG. 14

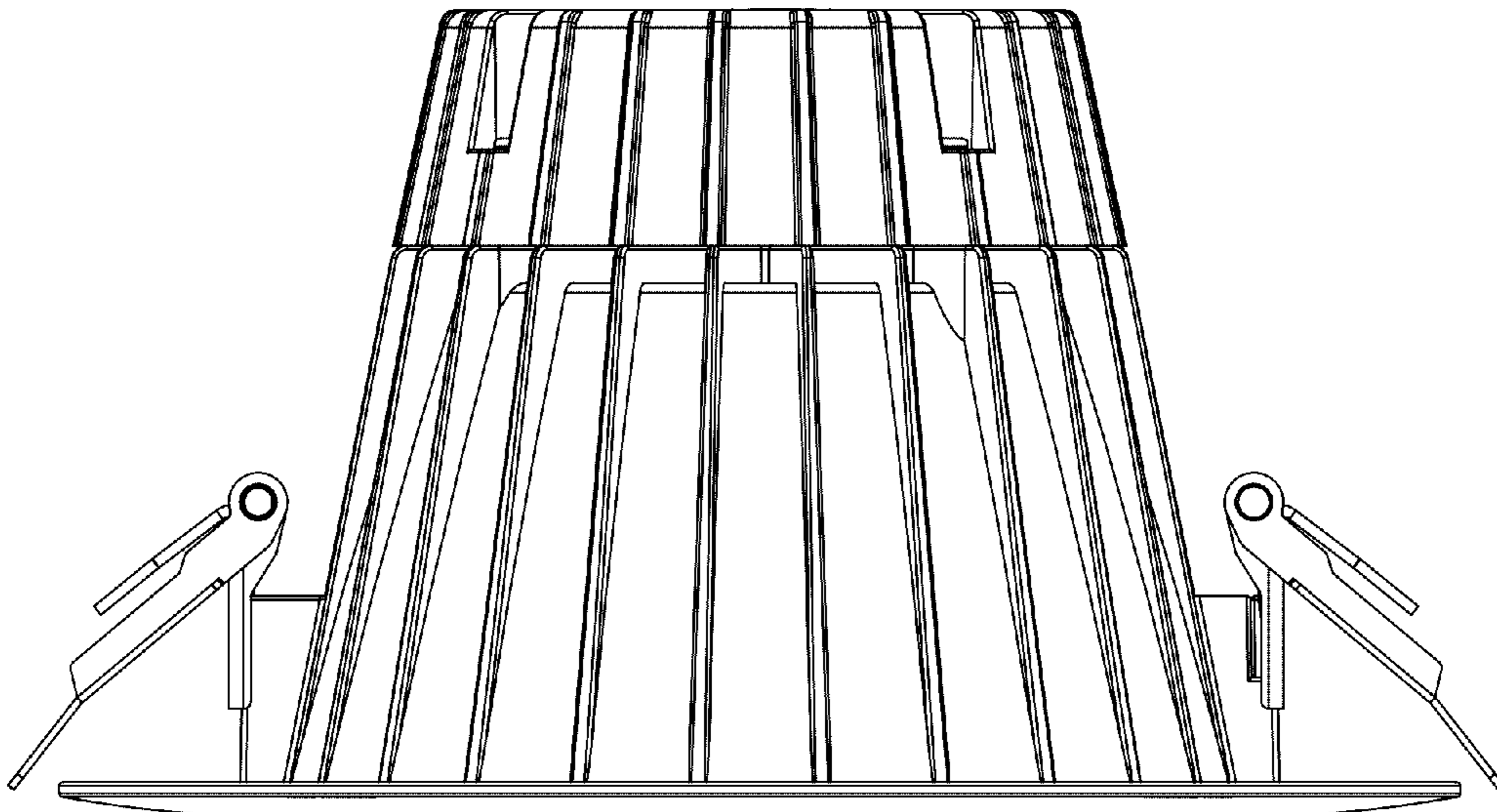


FIG. 15

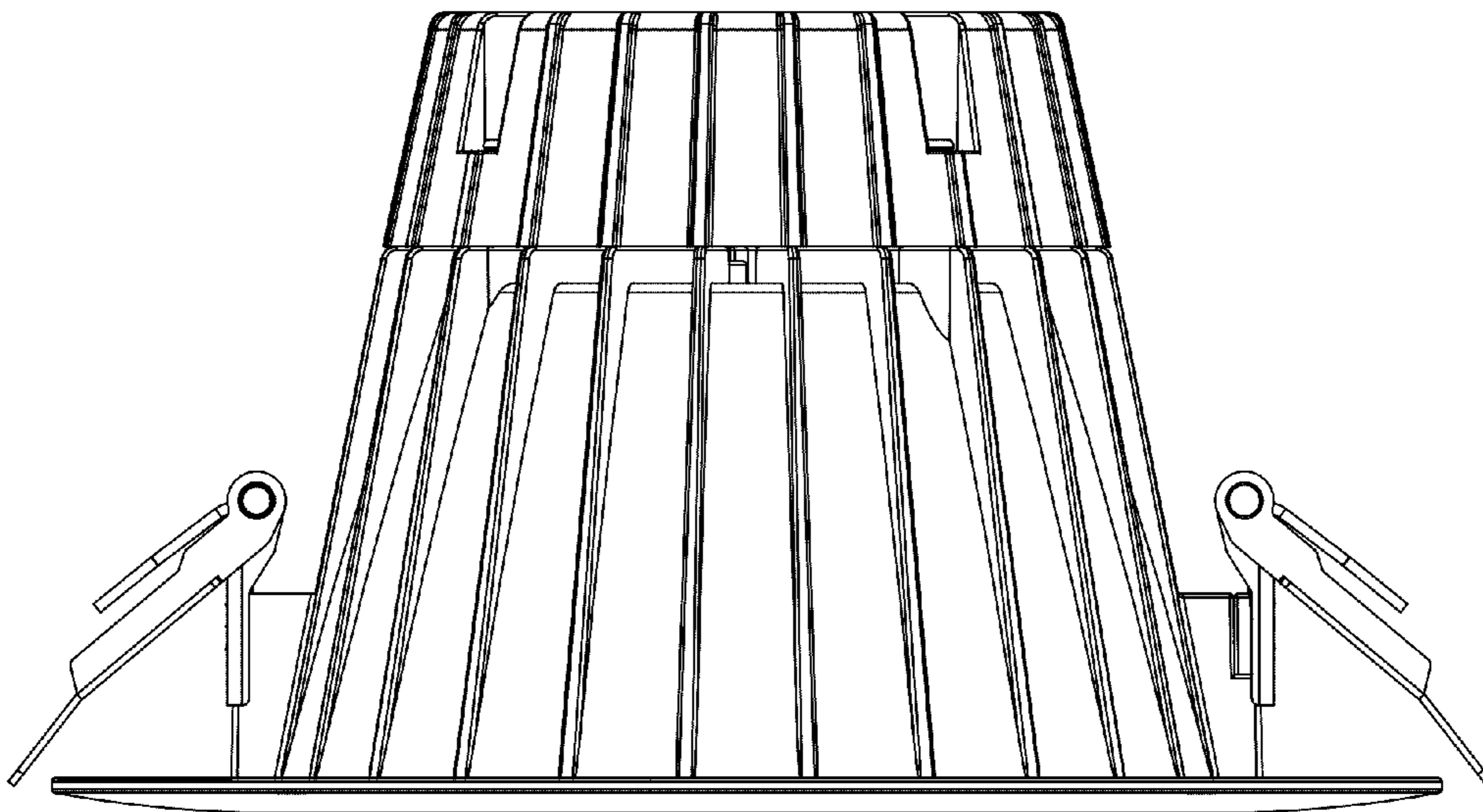


FIG. 16

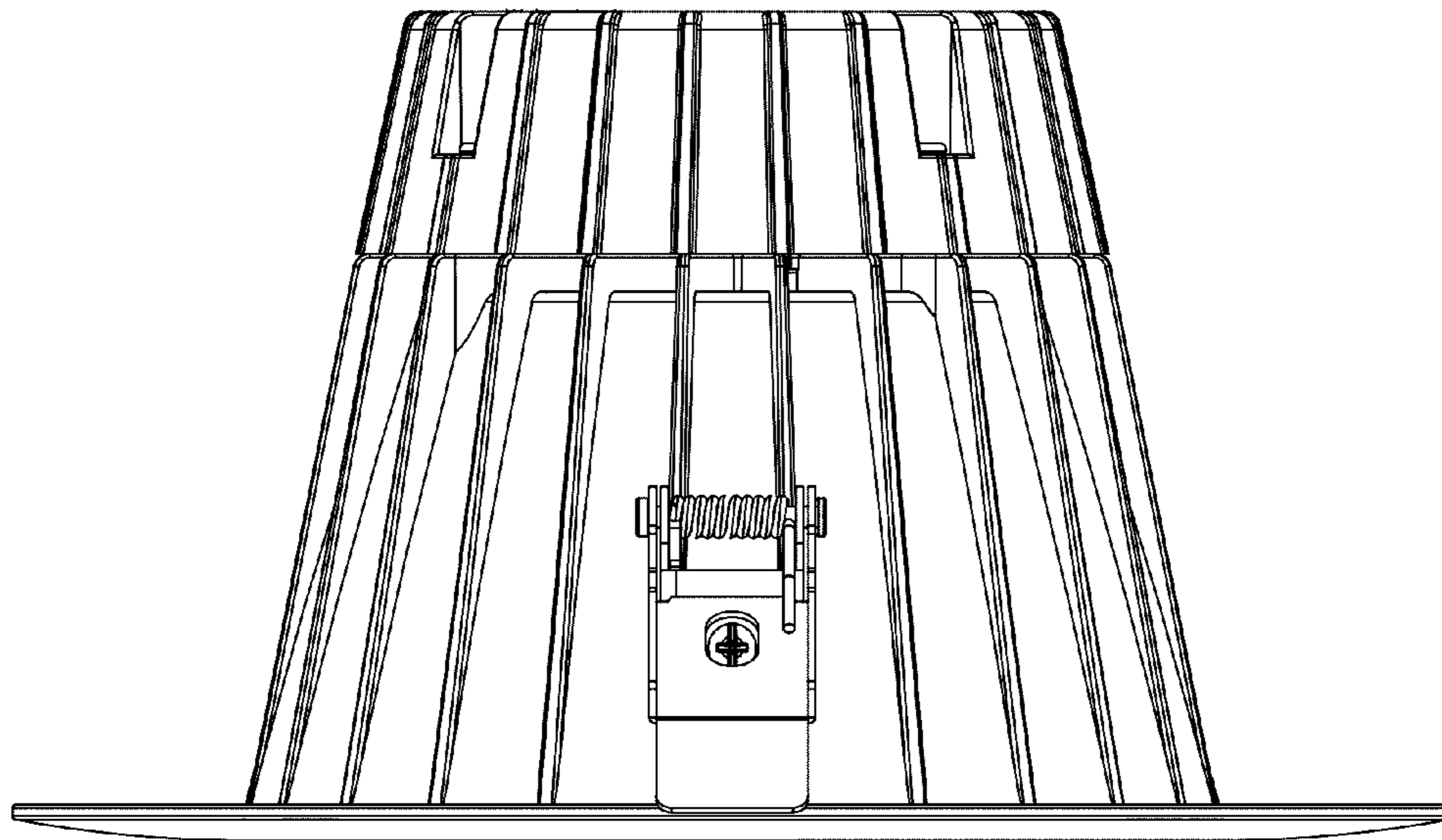


FIG. 17

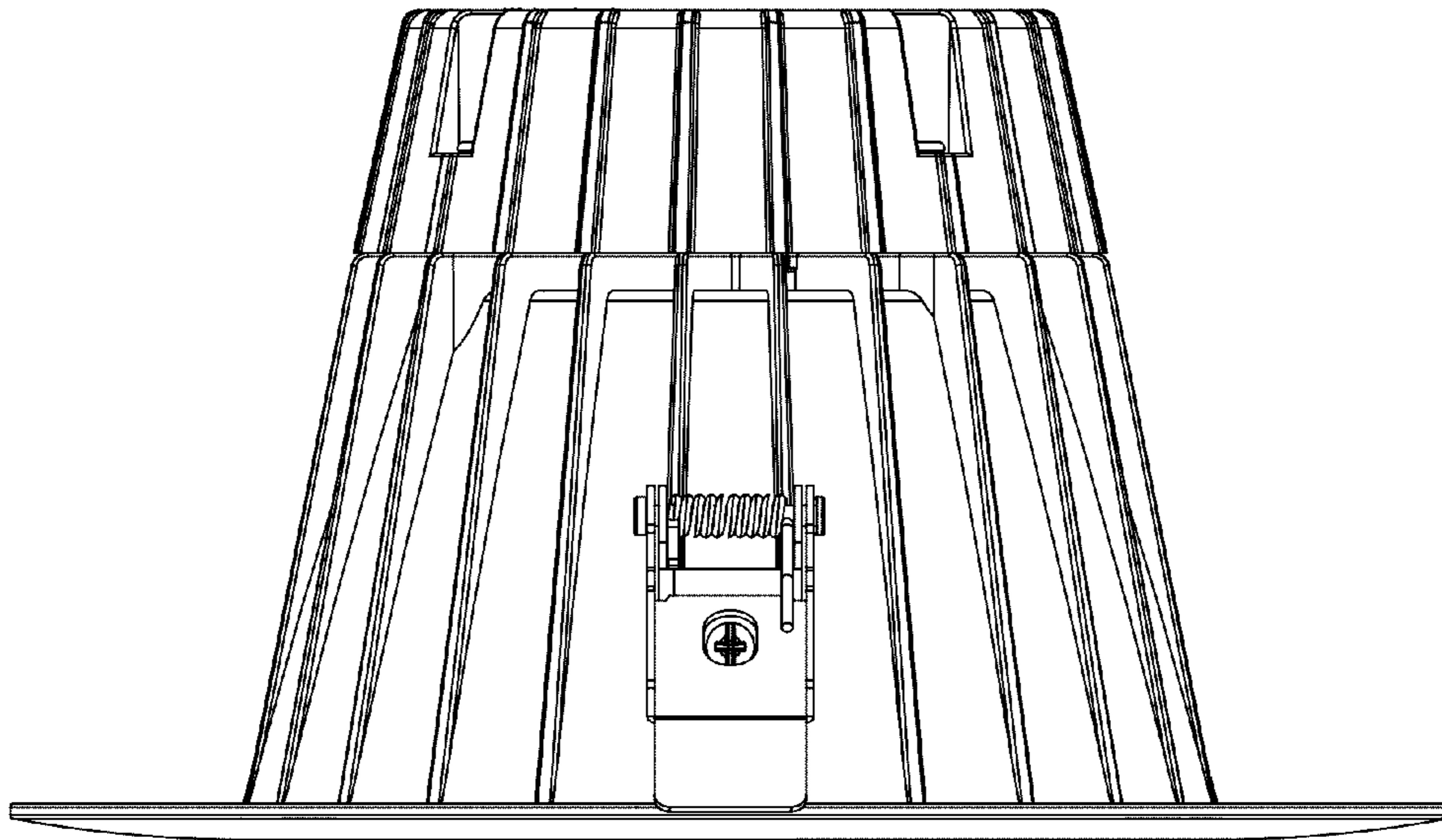


FIG. 18

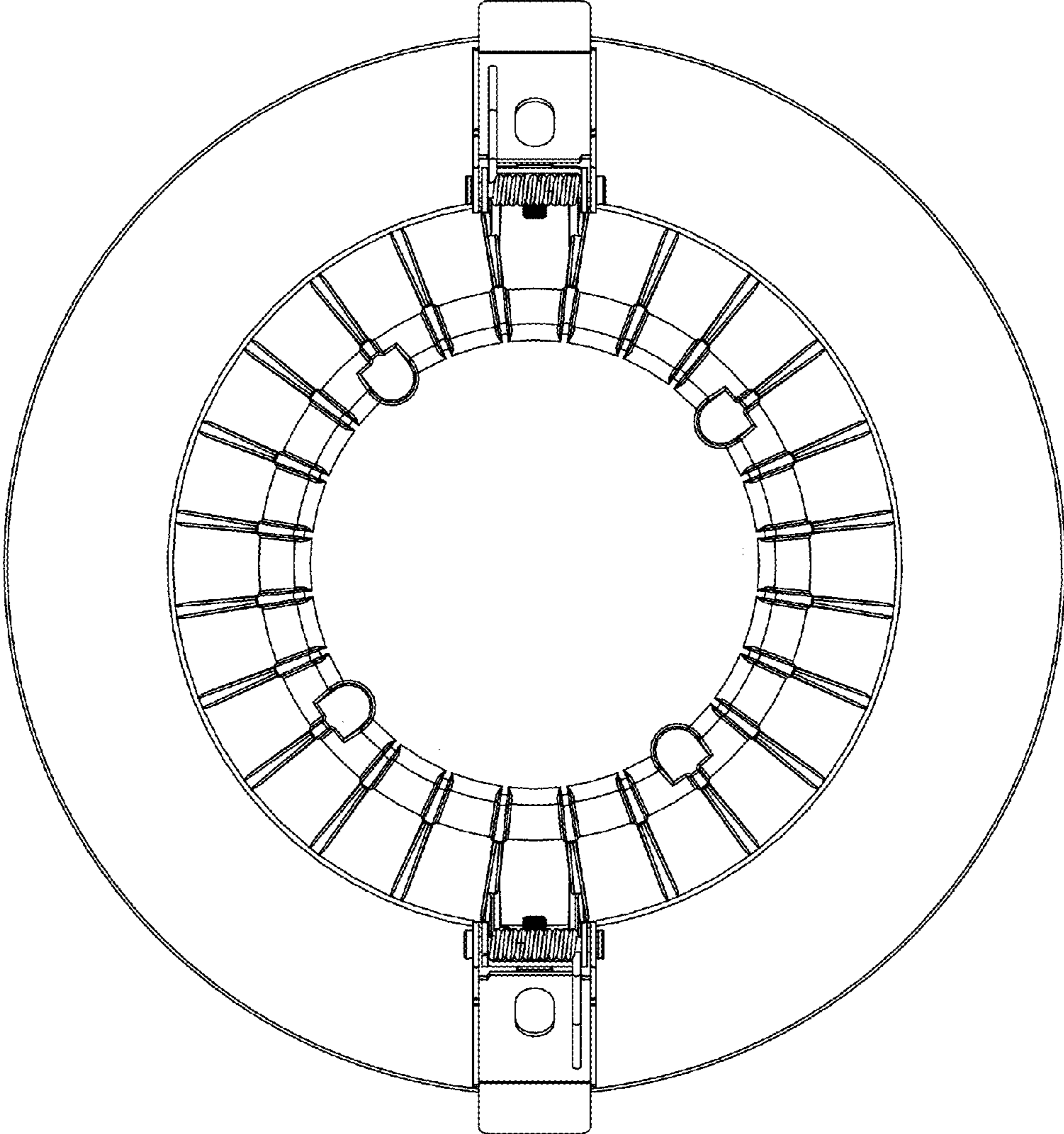


FIG. 19

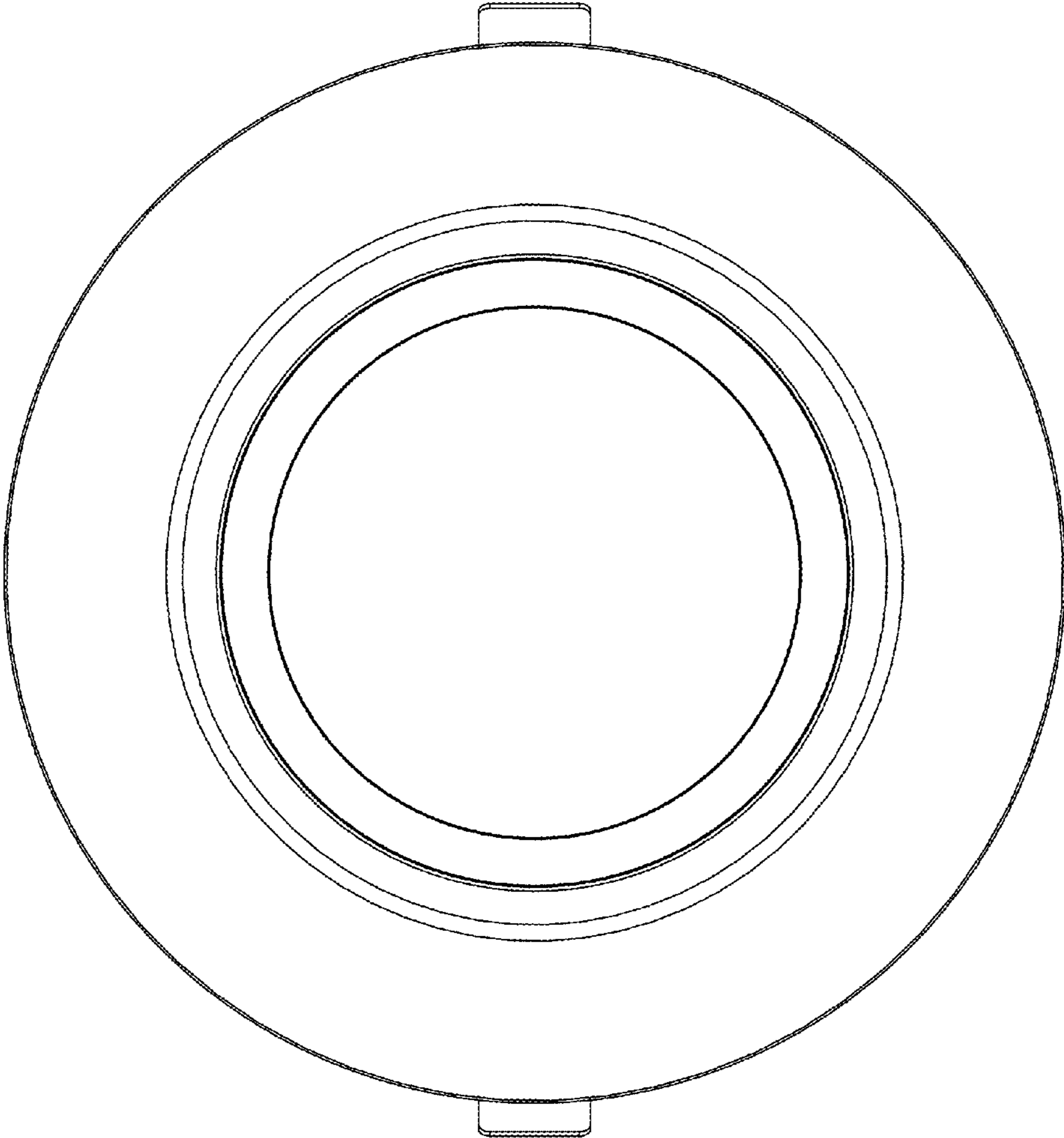


FIG. 20

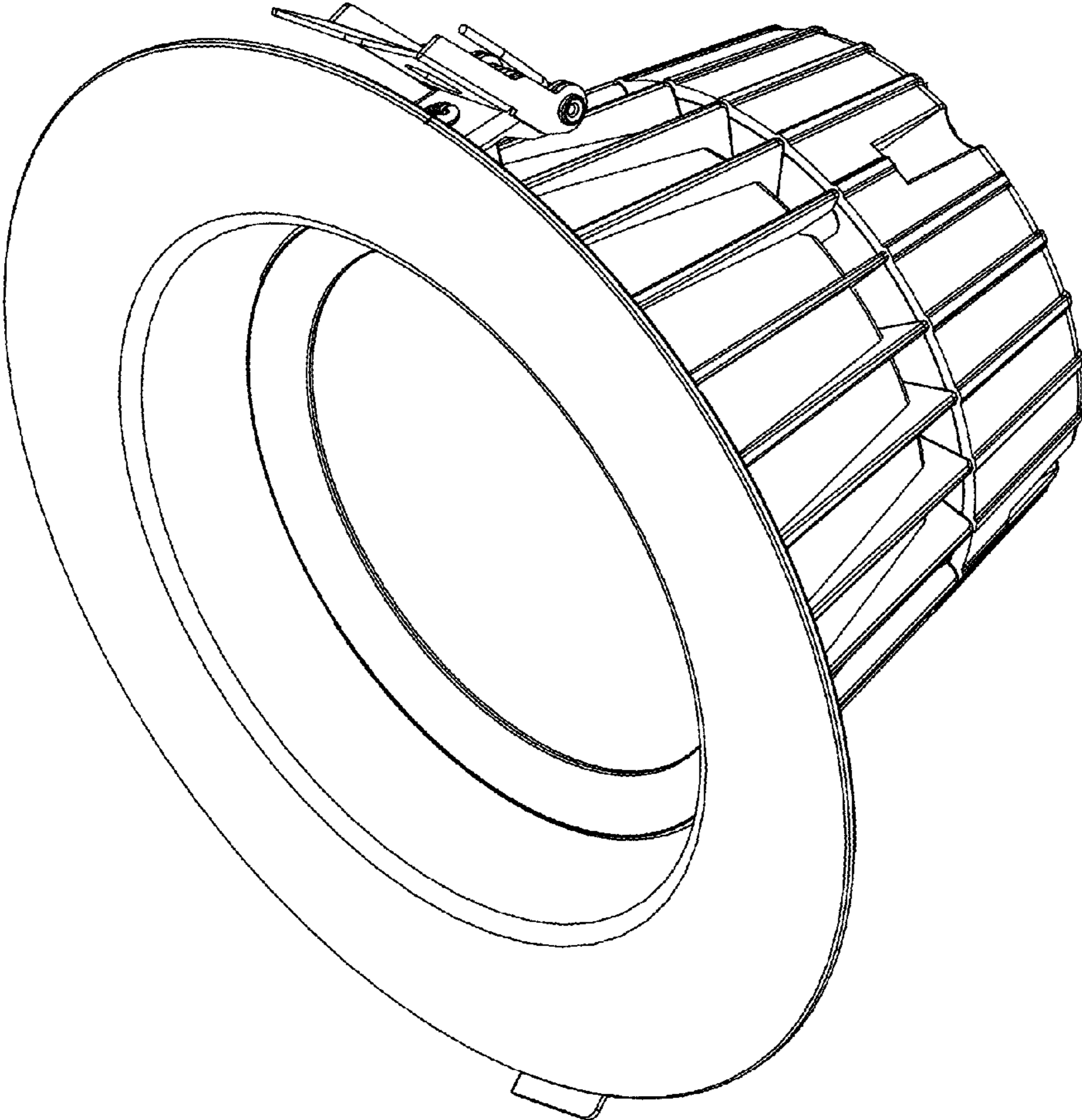


FIG. 21

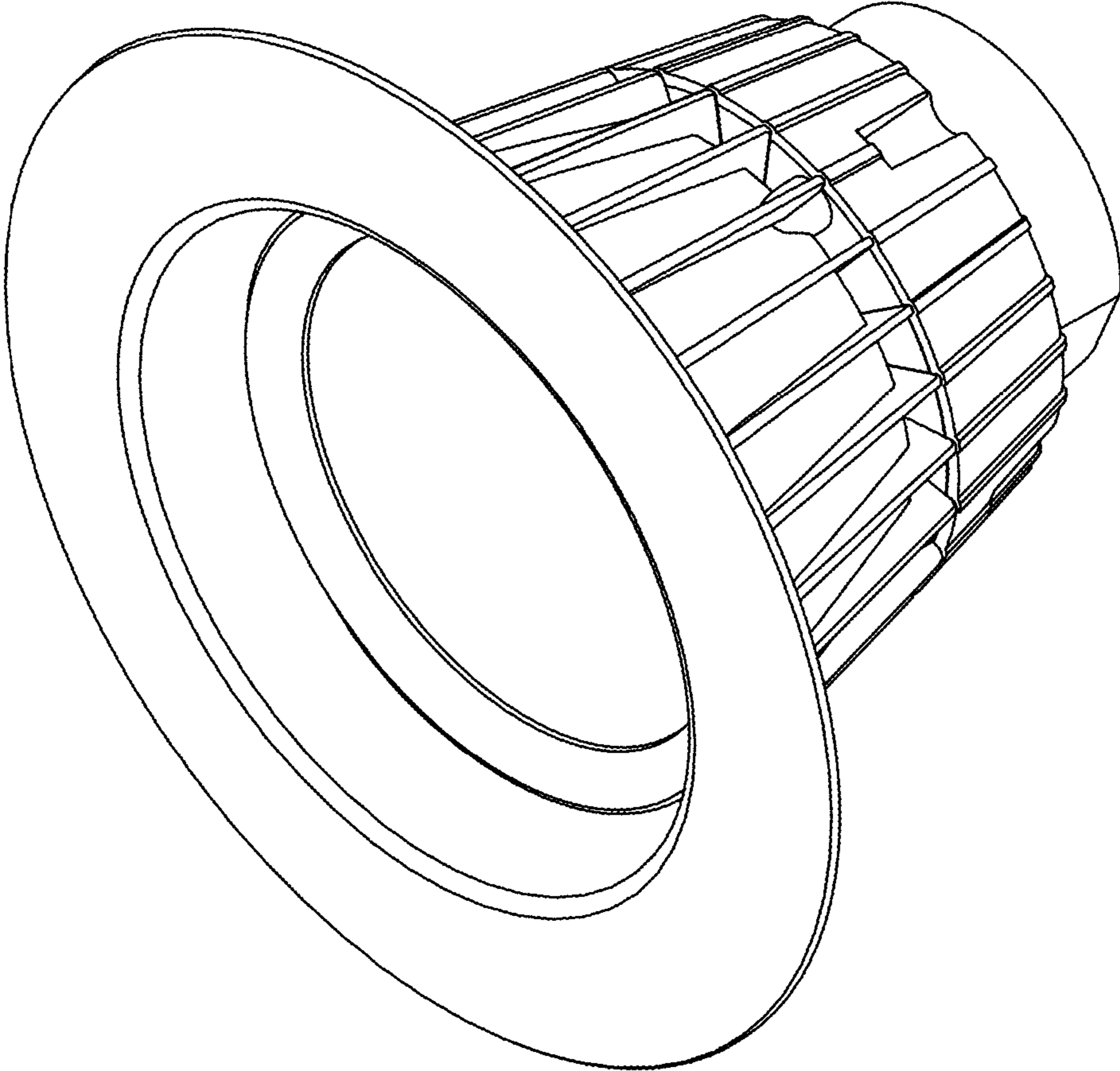


FIG. 22

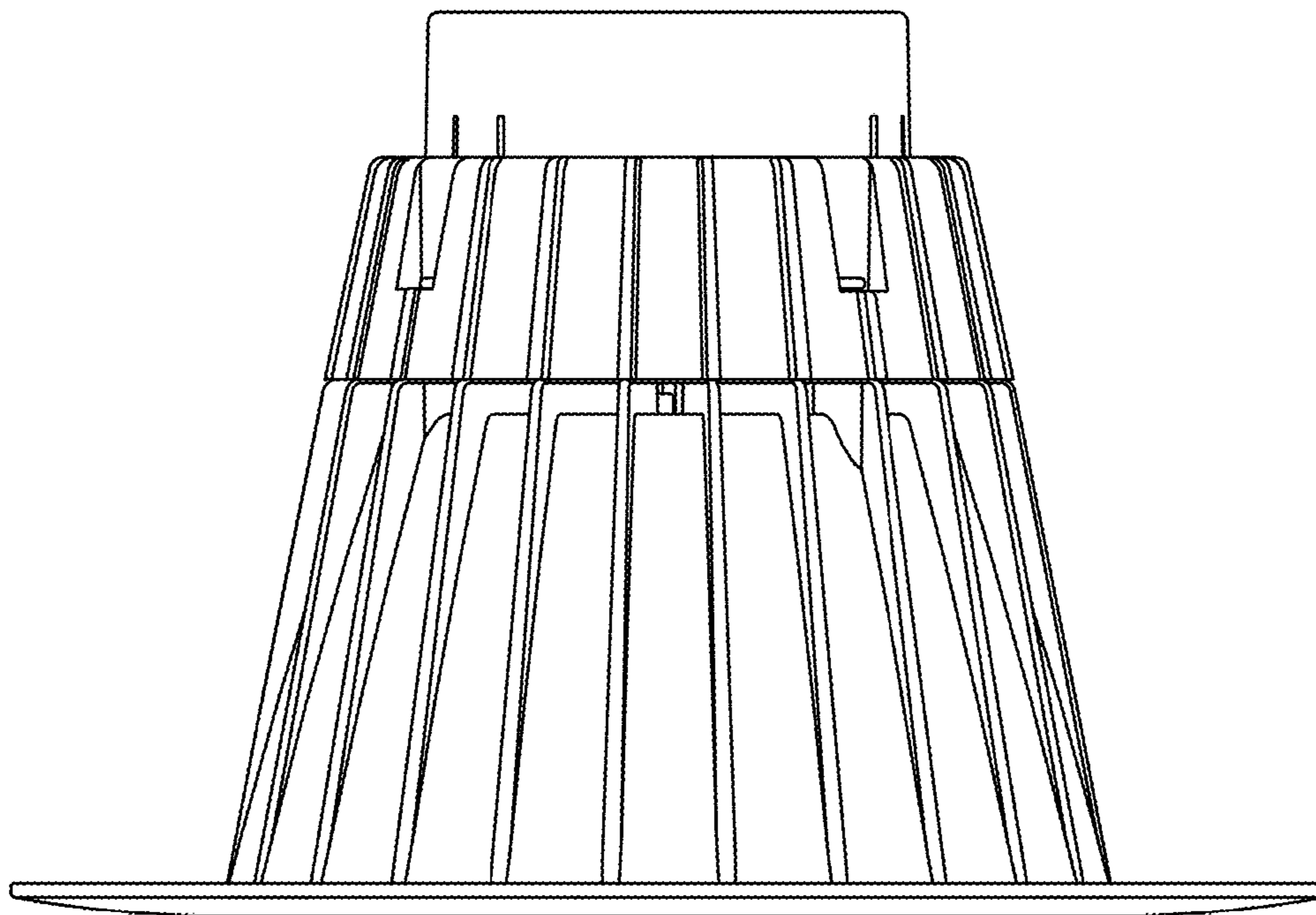


FIG. 23

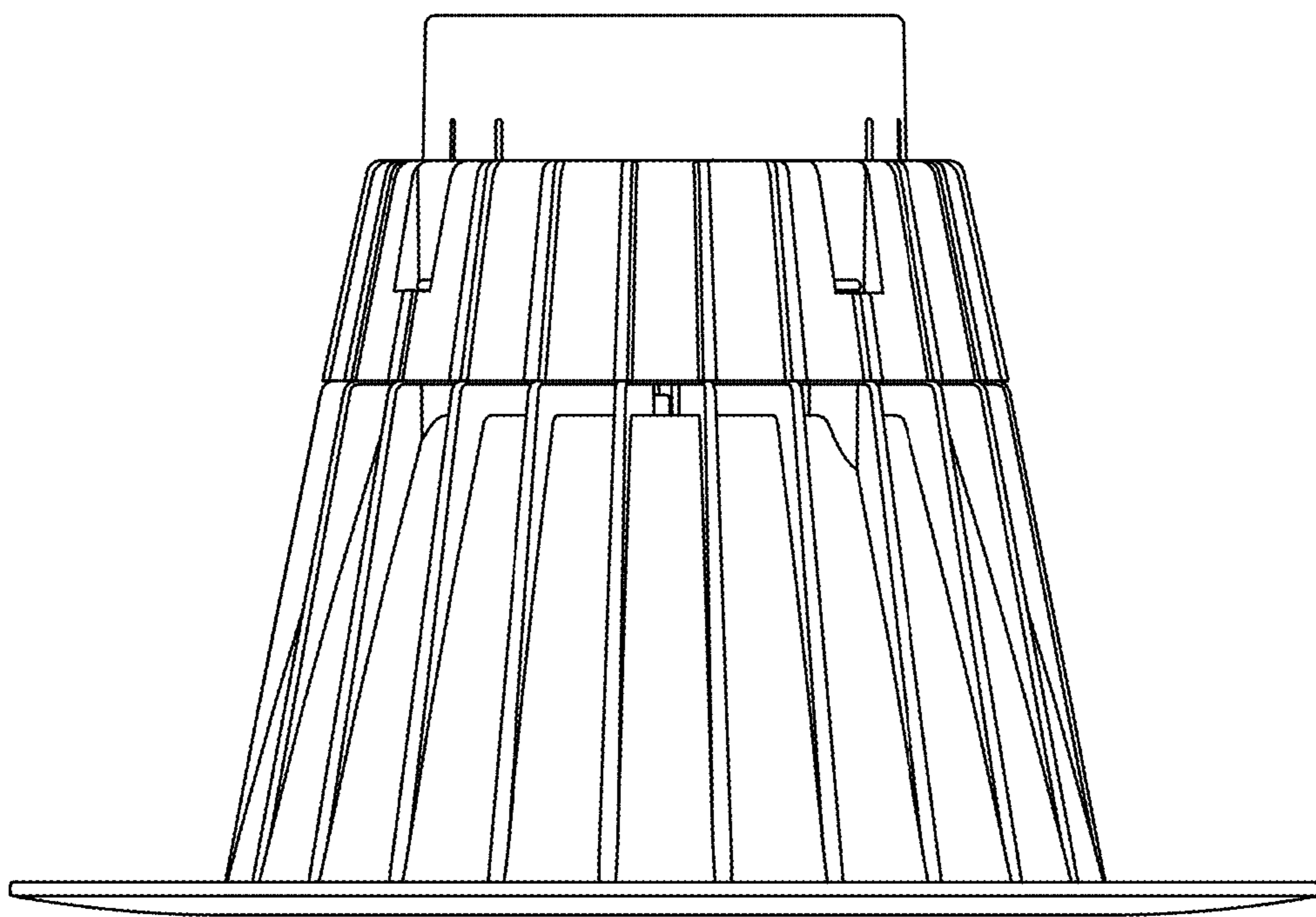


FIG. 24

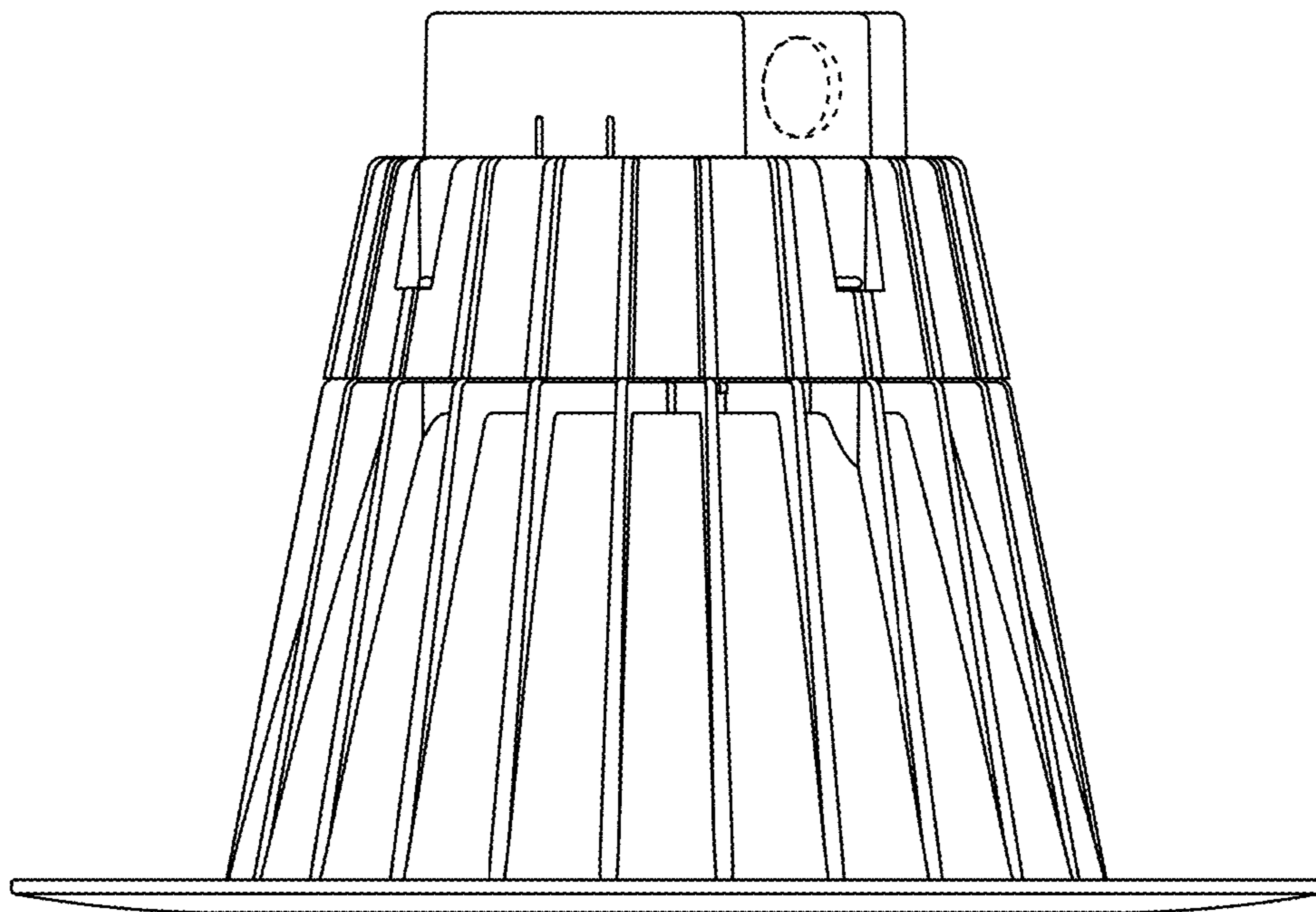


FIG. 25

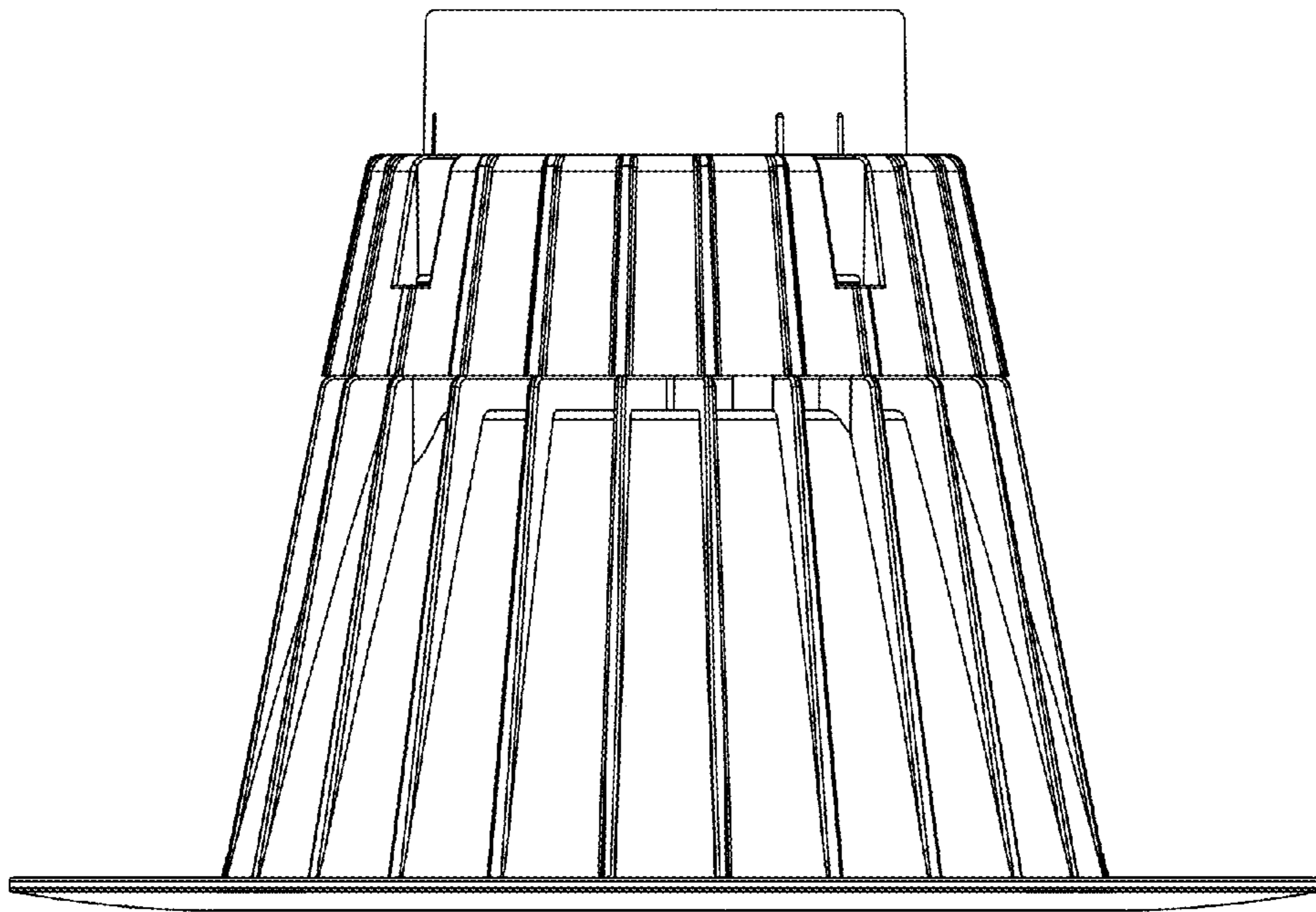


FIG. 26

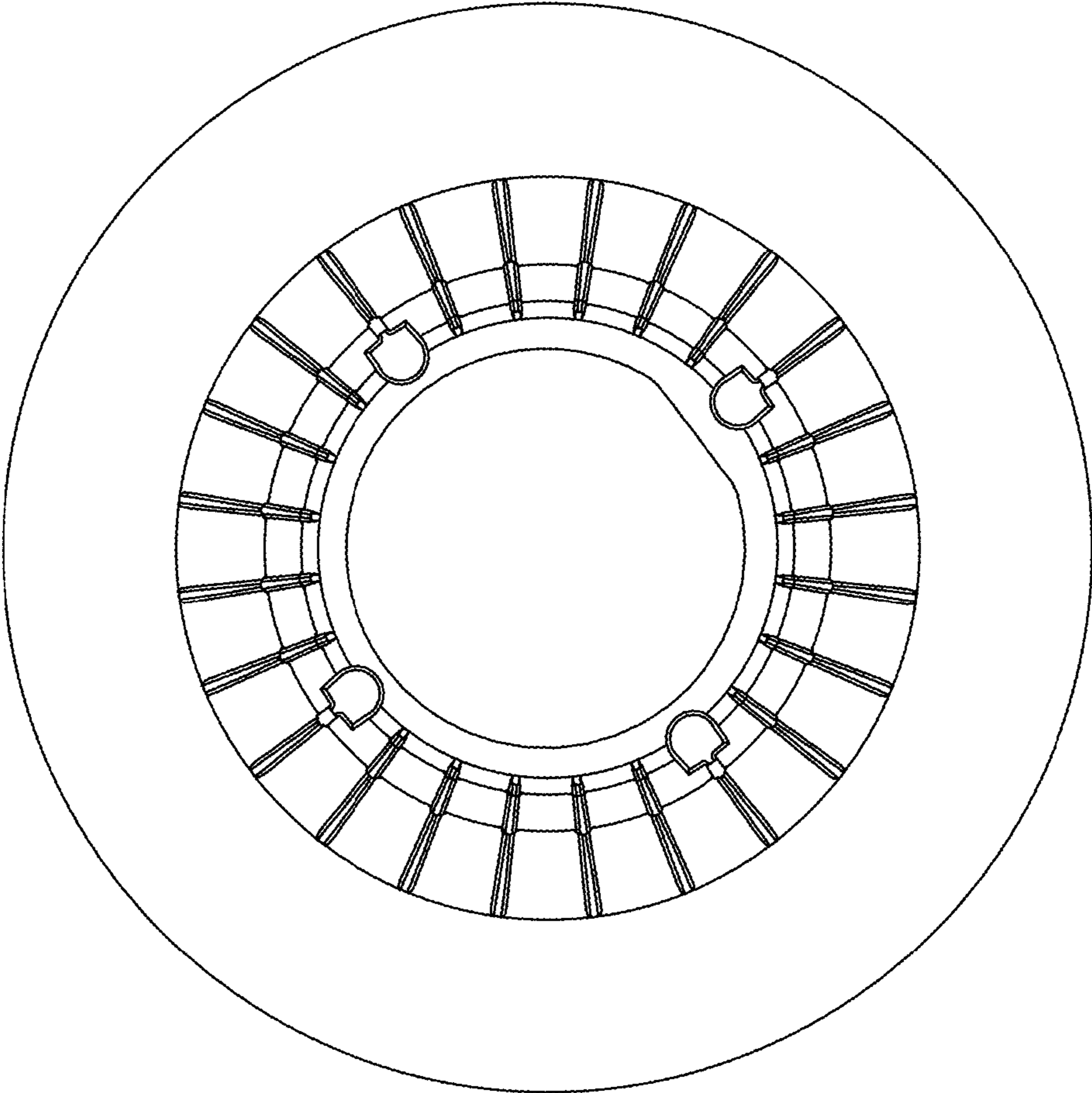


FIG. 27

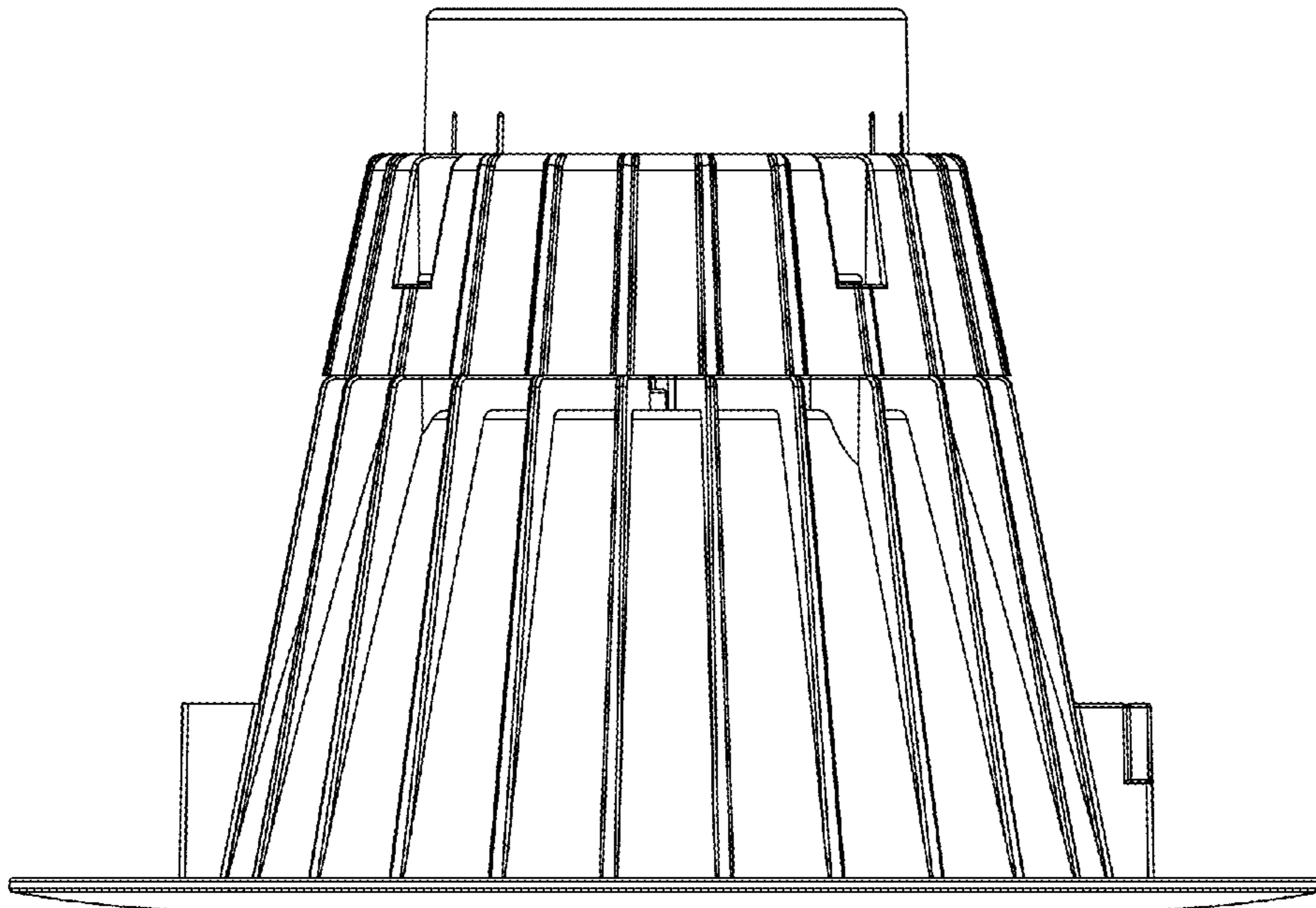


FIG. 28

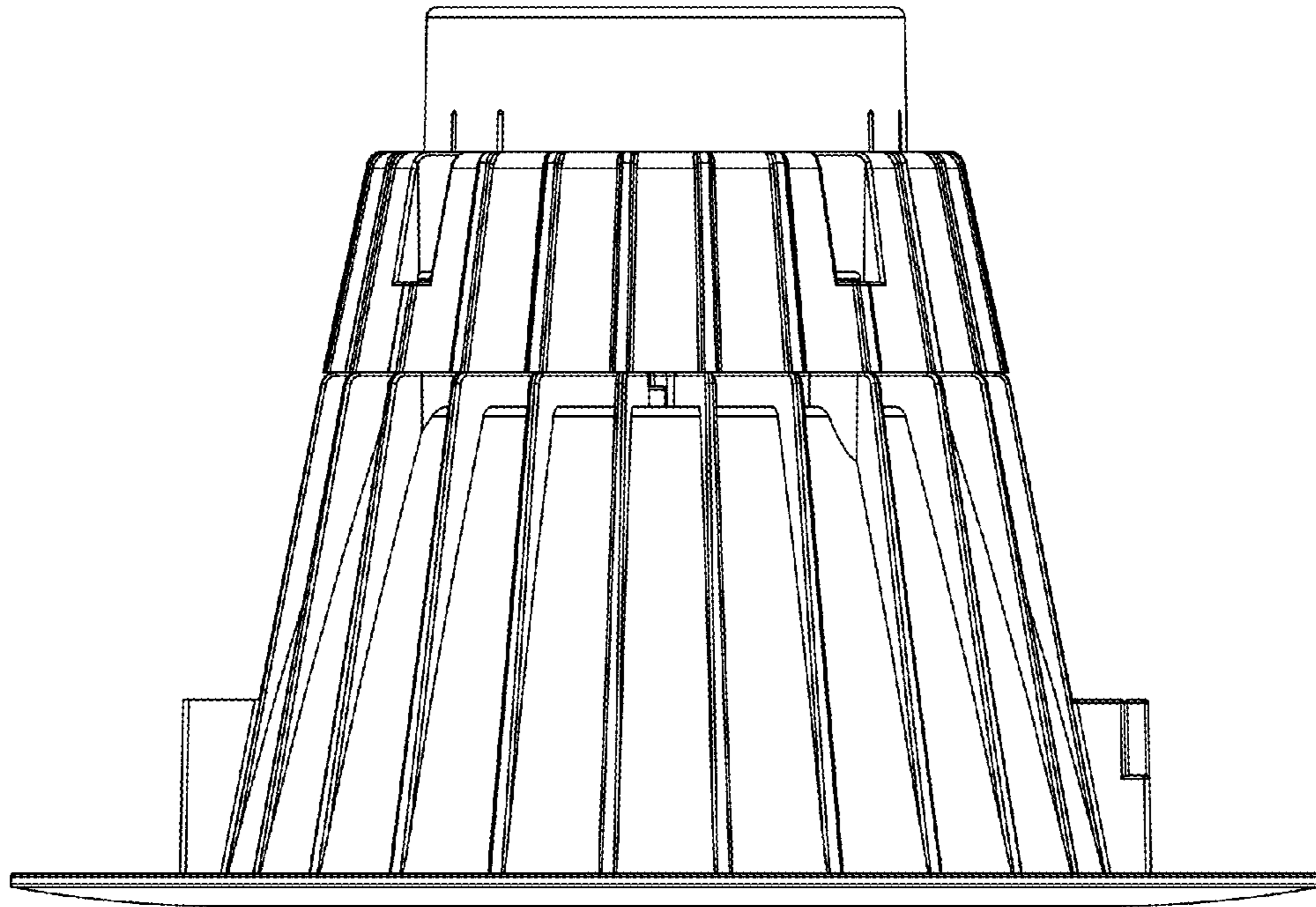


FIG. 29

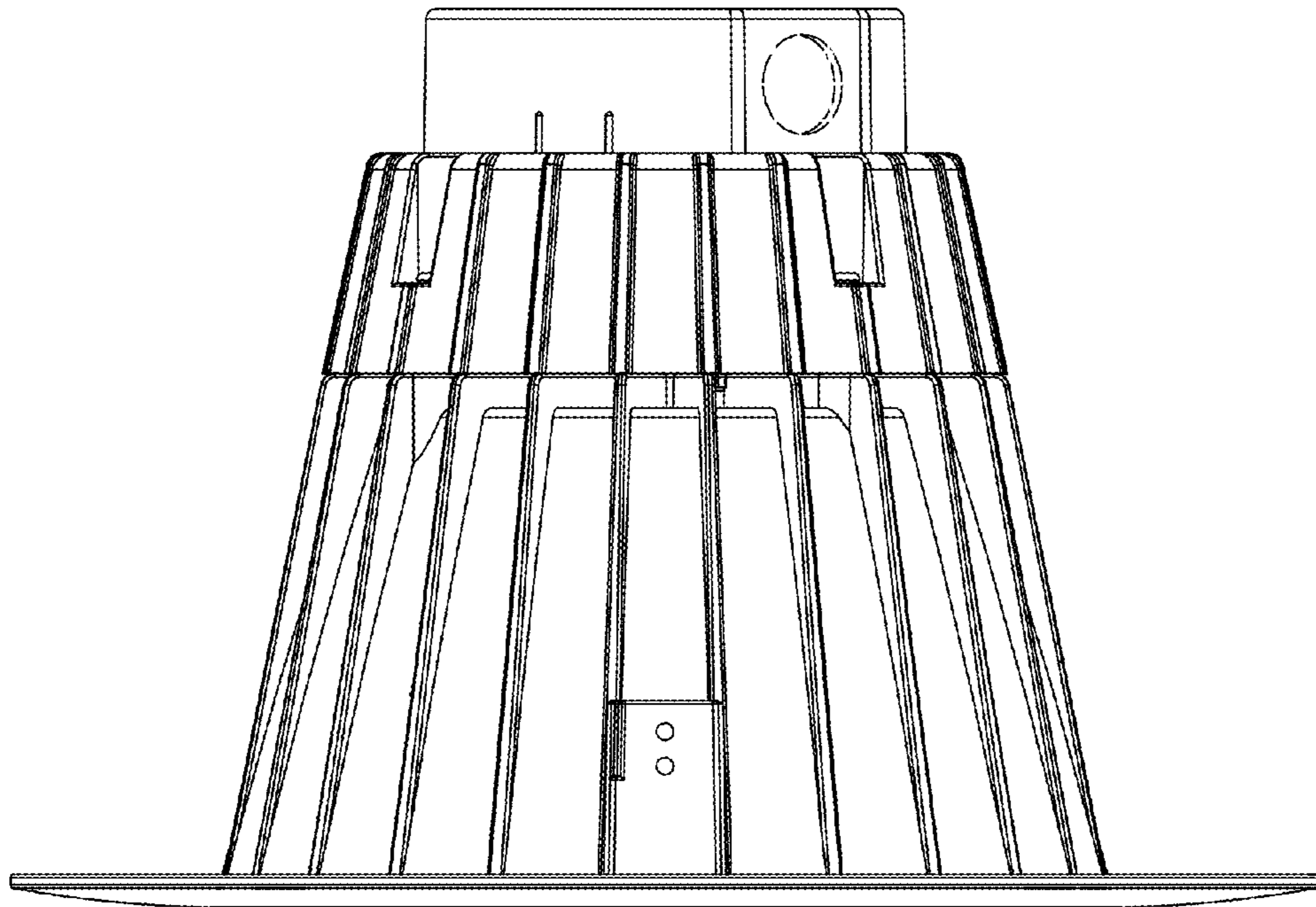


FIG. 30

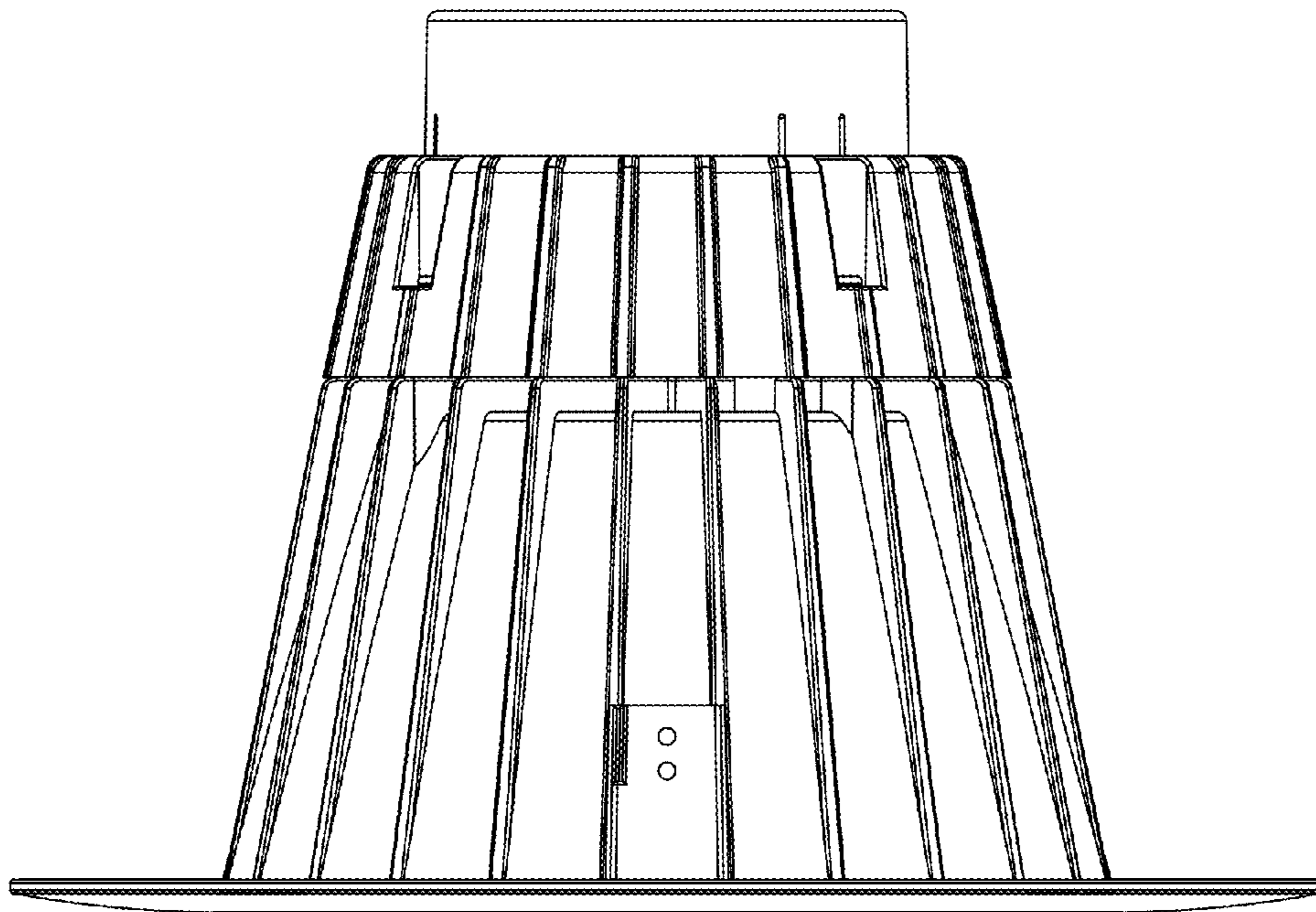


FIG. 31

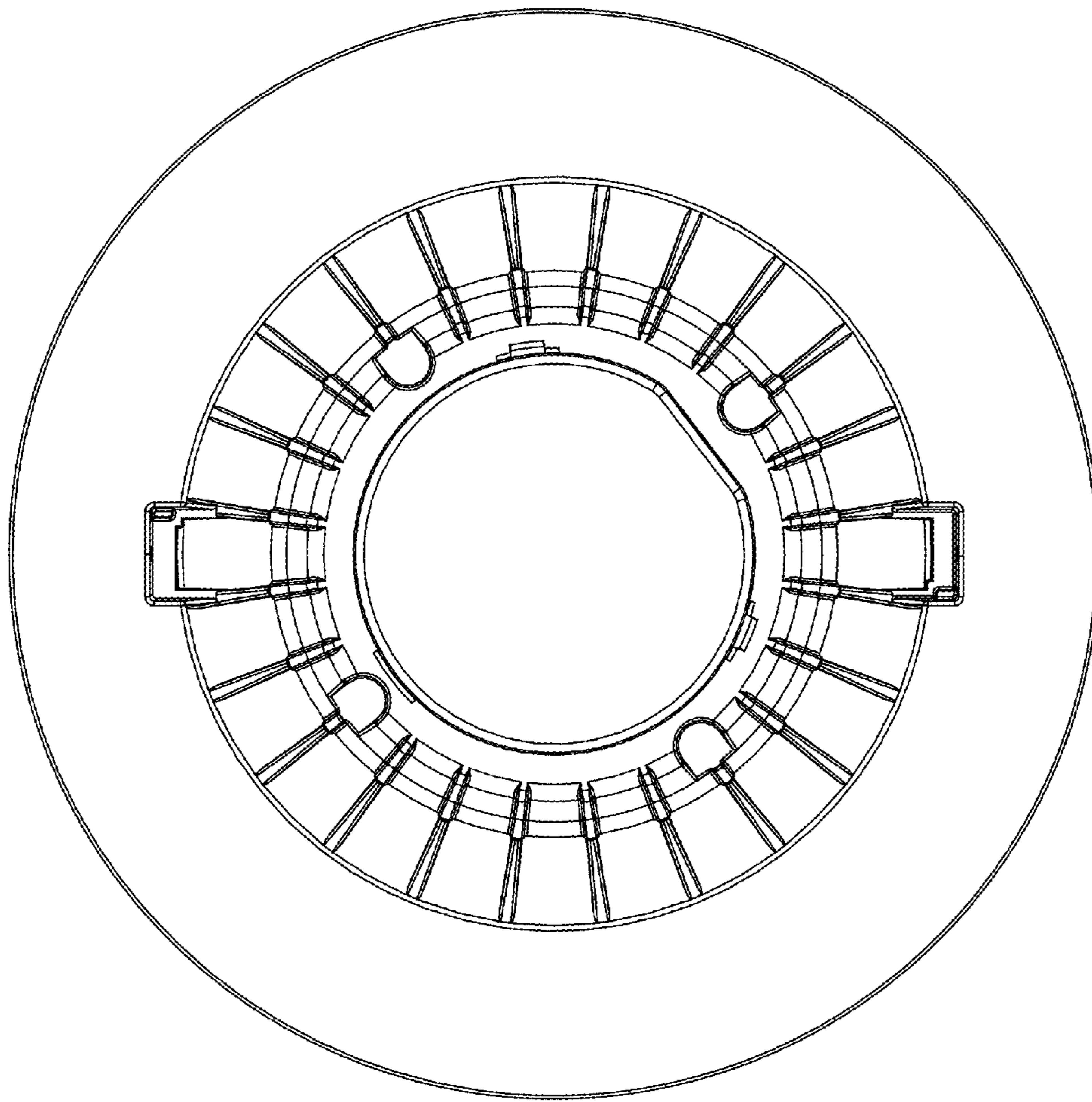


FIG. 32

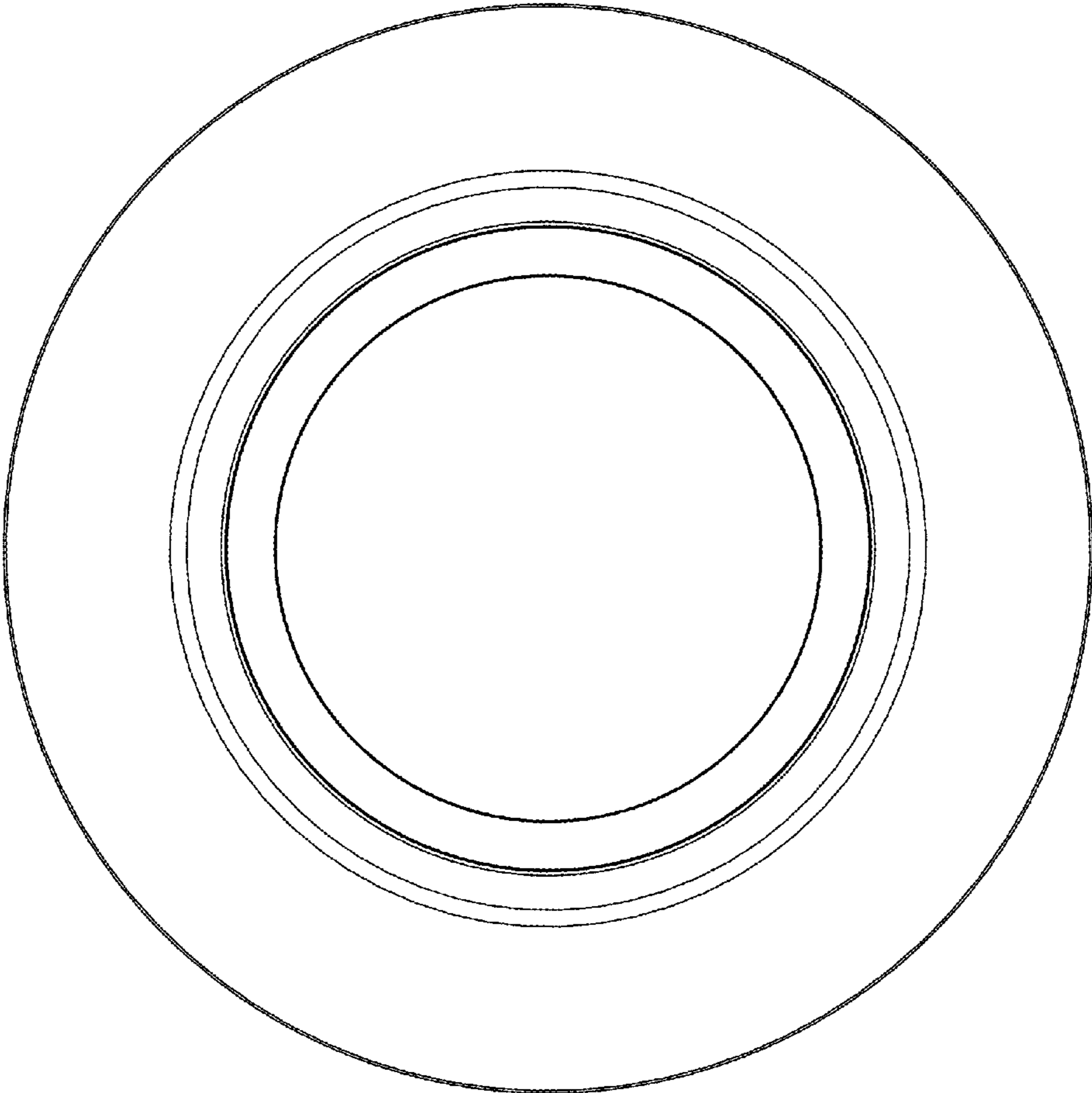


FIG. 33

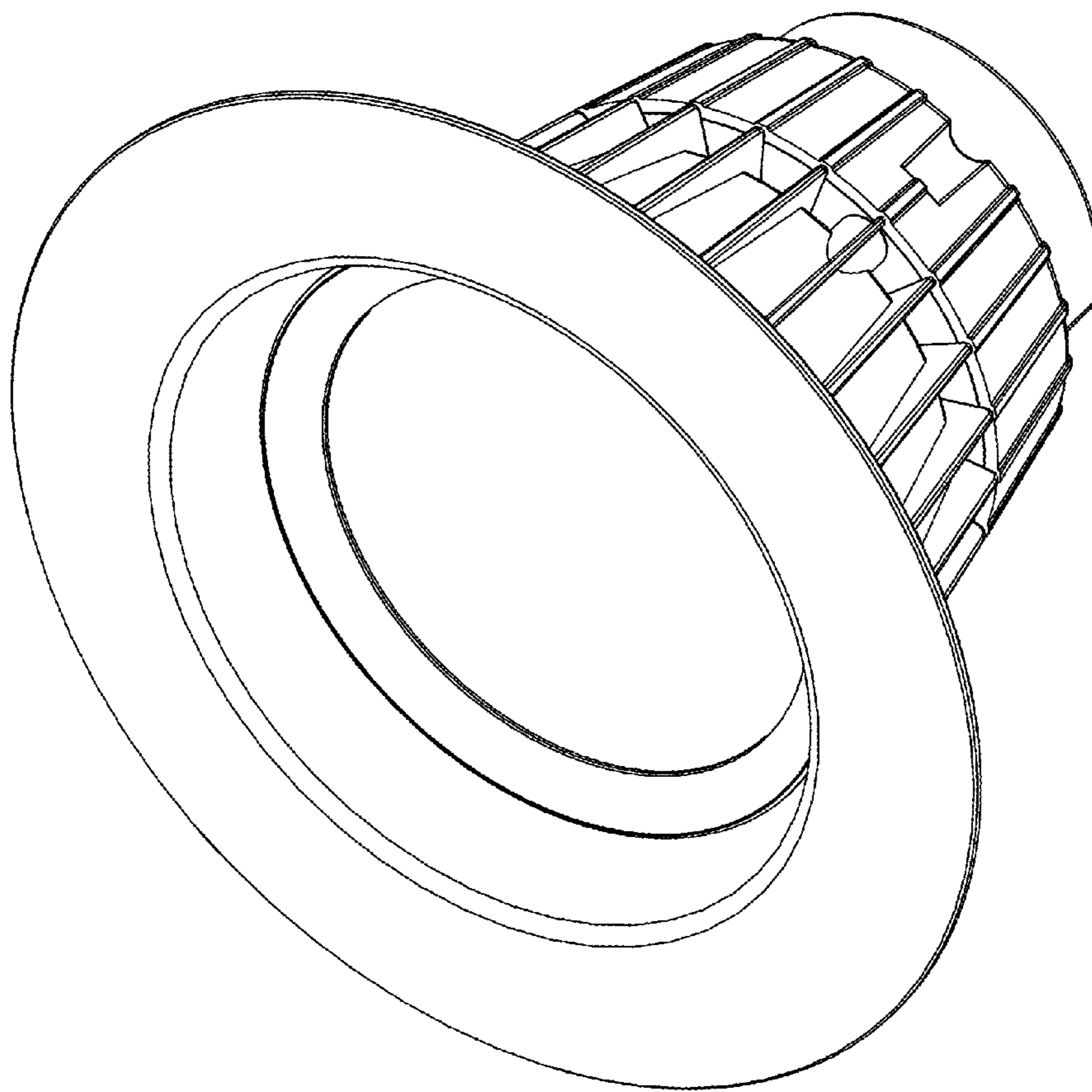


FIG. 34

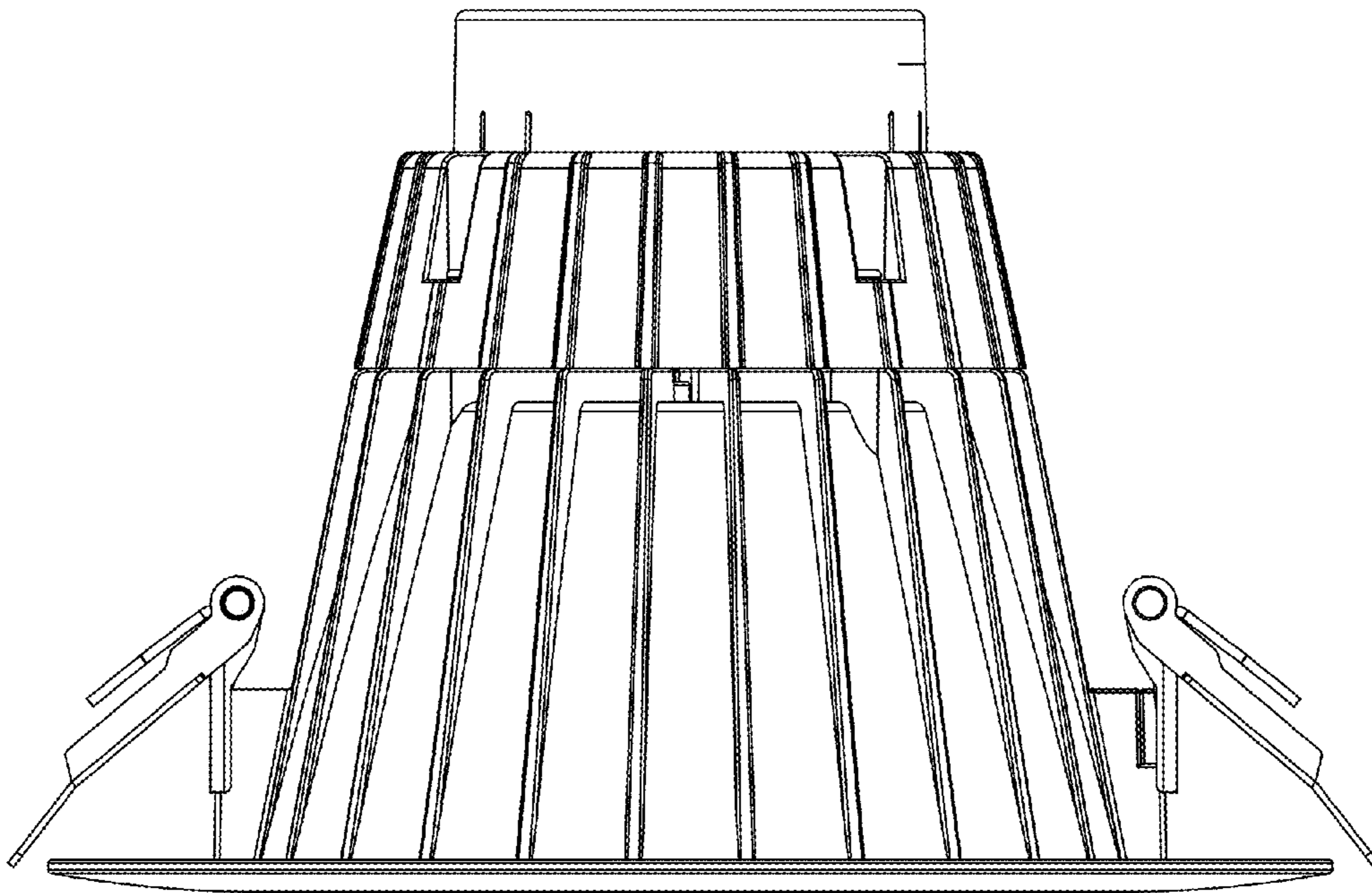


FIG. 35

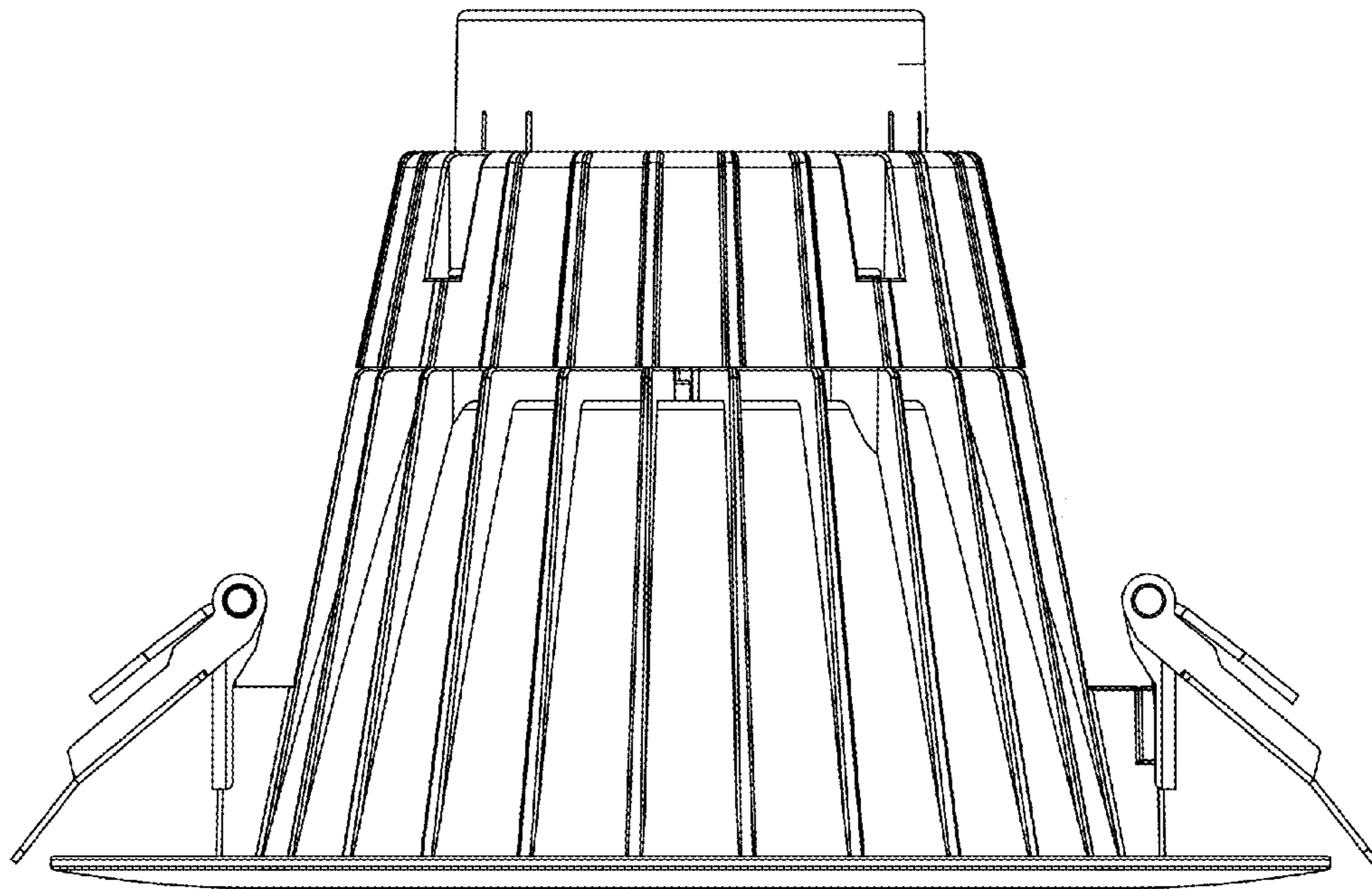


FIG. 36

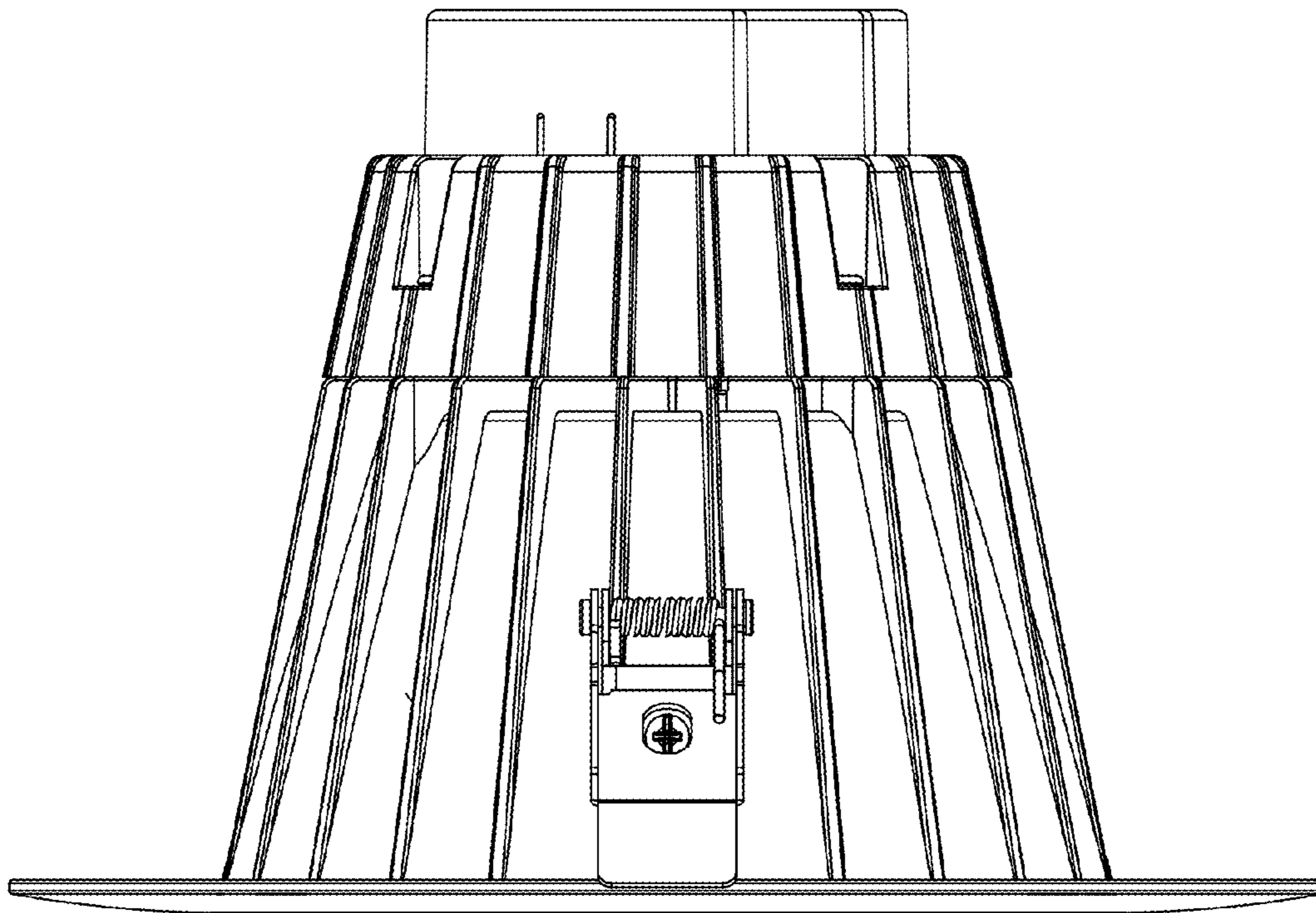


FIG. 37

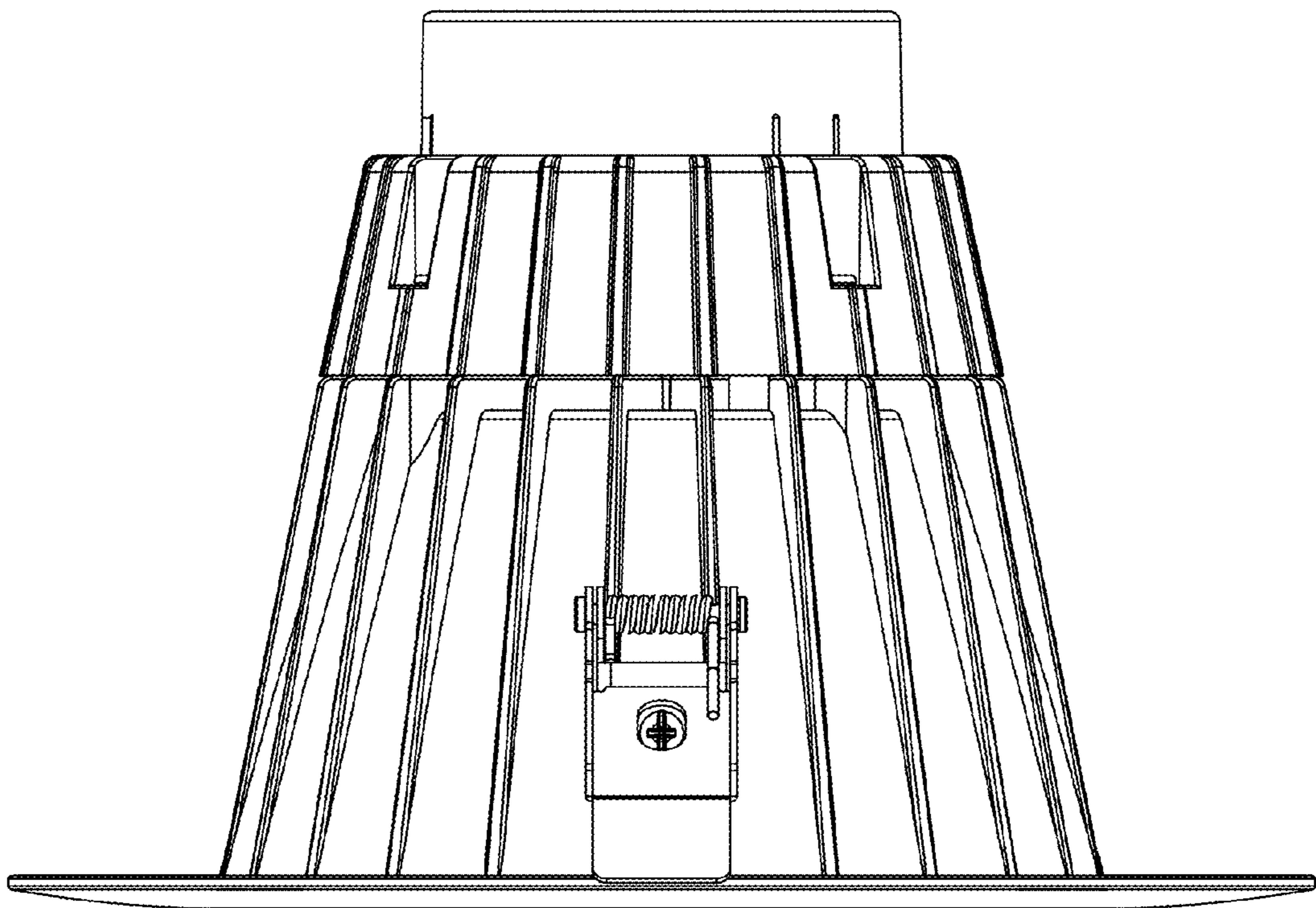


FIG. 38

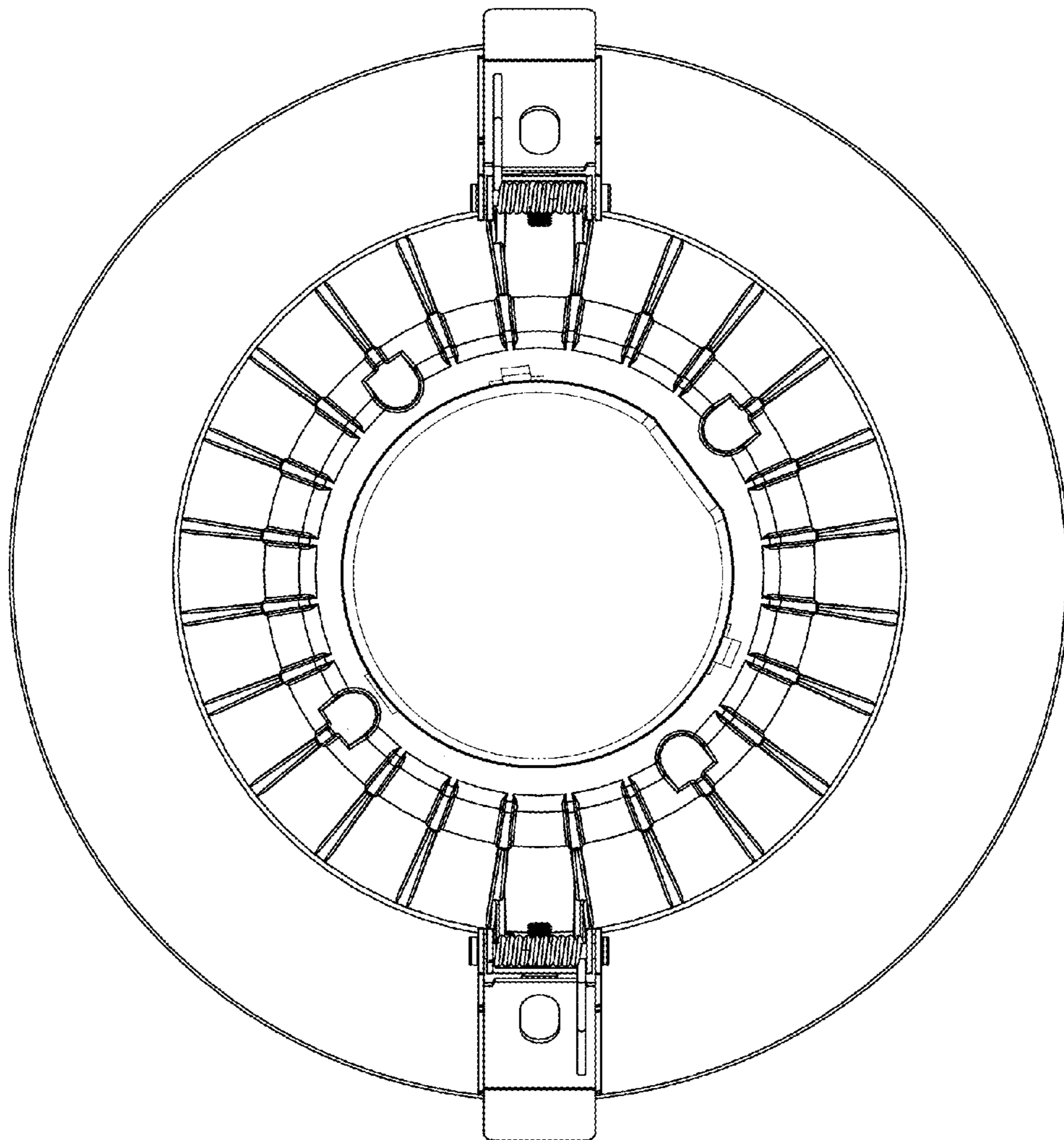


FIG. 39

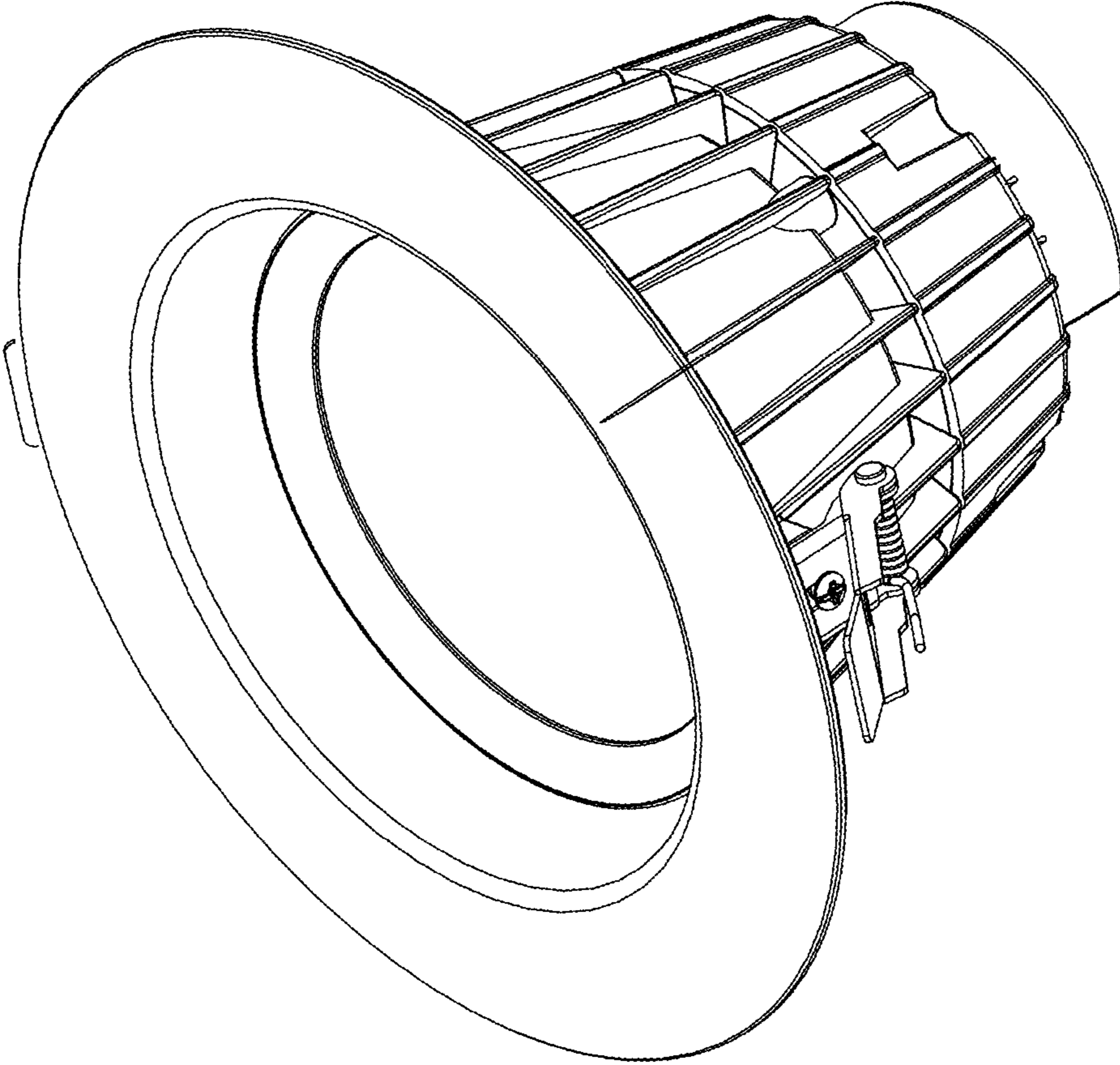


FIG. 40