

US00D769500S

(12) **United States Design Patent** (10) **Patent No.:** **US D769,500 S**  
**Dal Ponte et al.** (45) **Date of Patent:** **\*\* Oct. 18, 2016**

(54) **LUMINAIRE**

(71) Applicant: **Hubbell Incorporated**, Shelton, CT (US)

(72) Inventors: **Dean B. Dal Ponte**, Glendale, CA (US); **Michael S. Neuer**, Covina, CA (US); **Syed A. Raza**, Rancho Palos Verdes, CA (US); **Gerald E. Taaffe, III**, Buena Park, CA (US)

(73) Assignee: **Hubbell Incorporated**, Shelton, CT (US)

(\*\*) Term: **14 Years**

(21) Appl. No.: **29/524,492**

(22) Filed: **Apr. 21, 2015**

(51) **LOC (10) Cl.** ..... **26-05**

(52) **U.S. Cl.**  
USPC ..... **D26/71**

(58) **Field of Classification Search**  
USPC ..... D26/67-71, 92  
CPC ..... F21S 9/03; F21S 8/085; F21S 8/086;  
F21W 2131/103; F21V 15/01  
See application file for complete search history.

(56) **References Cited**

**U.S. PATENT DOCUMENTS**

D323,897 S *	2/1992	Compton	.....	D26/24
D660,496 S *	5/2012	Akdag	.....	D26/71
D674,950 S *	1/2013	Lueken	.....	D26/71
D676,178 S *	2/2013	Akinrele	.....	D26/71
D691,759 S *	10/2013	Boyer	.....	D26/71
D695,438 S *	12/2013	Liu	.....	D26/71
D695,938 S *	12/2013	Galvan	.....	D26/71
D743,081 S *	11/2015	Bembridge	.....	D26/71
D747,527 S *	1/2016	Guercio	.....	D26/71
D749,256 S *	2/2016	Compton	.....	D26/71
2014/0246971 A1 *	9/2014	Carpenter	.....	F21V 29/74 313/46

\* cited by examiner

*Primary Examiner* — Clare E Heflin

(74) *Attorney, Agent, or Firm* — Michael Best & Friedrich, LLP

(57) **CLAIM**

We claim the ornamental design for a luminaire, as shown and described.

**DESCRIPTION**

FIG. 1 is a perspective view of a luminaire showing our new design.

FIG. 2 is a front end view of the luminaire shown in FIG. 1. FIG. 3 is a right side view of the luminaire shown in FIG. 1.

FIG. 4 is a left side view of the luminaire shown in FIG. 1. FIG. 5 is a top view of the luminaire shown in FIG. 1.

FIG. 6 is a bottom view of the luminaire shown in FIG. 1. FIG. 7 is a perspective view of a luminaire showing our new design.

FIG. 8 is a front end view of the luminaire shown in FIG. 7. FIG. 9 is a right side view of the luminaire shown in FIG. 7.

FIG. 10 is a left side view of the luminaire shown in FIG. 7. FIG. 11 is a top view of the luminaire shown in FIG. 7.

FIG. 12 is a bottom view of the luminaire shown in FIG. 7. FIG. 13 is a perspective view of a luminaire showing our new design.

FIG. 14 is a front end view of the luminaire shown in FIG. 13.

FIG. 15 is a right side view of the luminaire shown in FIG. 13.

FIG. 16 is a left side view of the luminaire shown in FIG. 13. FIG. 17 is a top view of the luminaire shown in FIG. 13.

FIG. 18 is a bottom view of the luminaire shown in FIG. 13. FIG. 19 is a perspective view of a luminaire showing our new design.

FIG. 20 is a front end view of the luminaire shown in FIG. 19.

FIG. 21 is a right side view of the luminaire shown in FIG. 19.

FIG. 22 is a left side view of the luminaire shown in FIG. 19. FIG. 23 is a top view of the luminaire shown in FIG. 19.

FIG. 24 is a bottom view of the luminaire shown in FIG. 19.

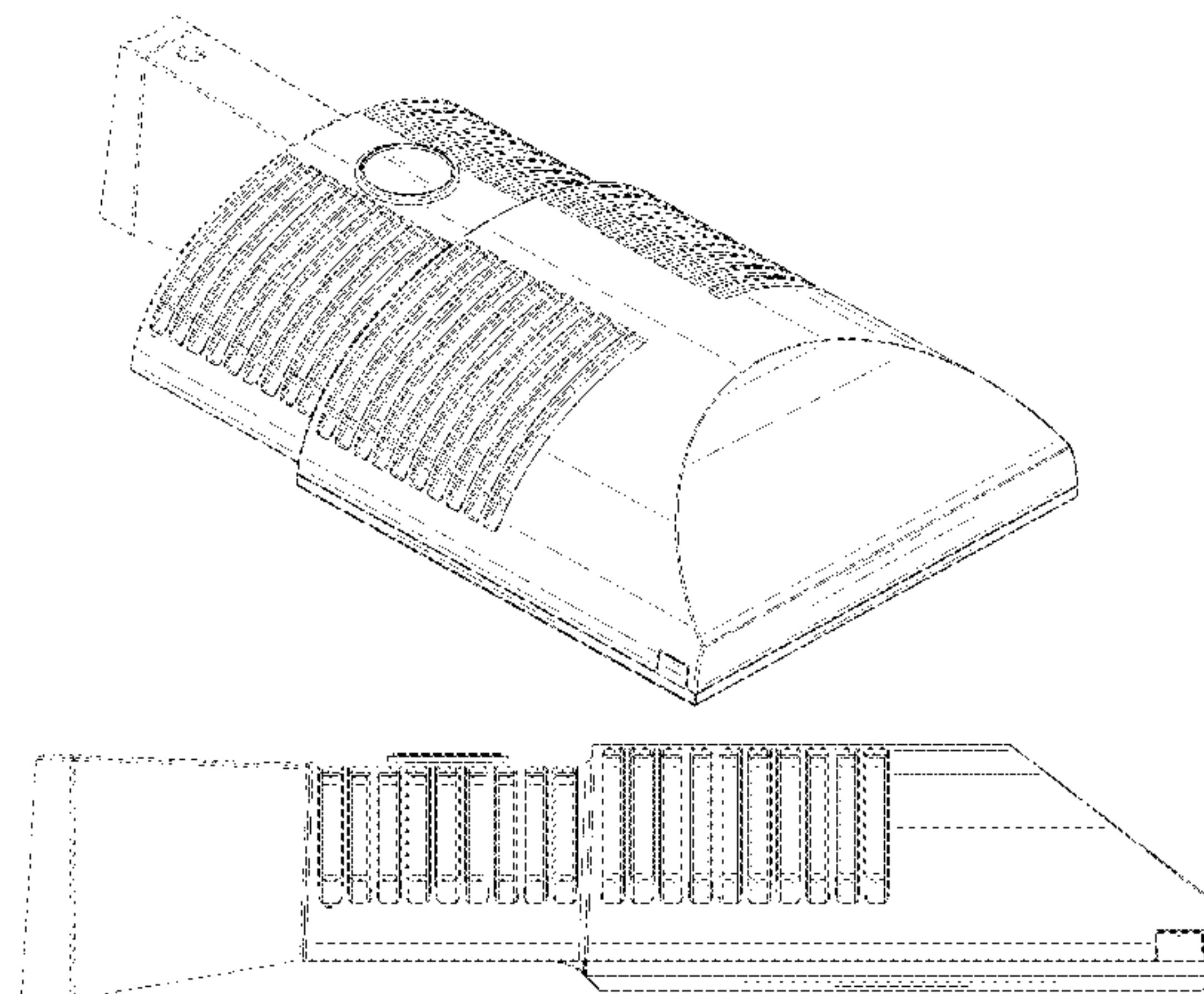


FIG. 25 is a perspective view of a luminaire showing our new design.

FIG. 26 is a front end view of the luminaire shown in FIG. 25.

FIG. 27 is a right side view of the luminaire shown in FIG. 25.

FIG. 28 is a left side view of the luminaire shown in FIG. 25.

FIG. 29 is a top view of the luminaire shown in FIG. 25.

FIG. 30 is a bottom view of the luminaire shown in FIG. 25.

FIG. 31 is a perspective view of a luminaire showing our new design.

FIG. 32 is a front end view of the luminaire shown in FIG. 31.

FIG. 33 is a right side view of the luminaire shown in FIG. 31.

FIG. 34 is a left side view of the luminaire shown in FIG. 31.

FIG. 35 is a top view of the luminaire shown in FIG. 31; and,

FIG. 36 is a bottom view of the luminaire shown in FIG. 31.

The back end views of each embodiment form no part of the claimed design. The broken lines shown on the drawings depict portions of the luminaire that form no part of the claimed design.

**1 Claim, 36 Drawing Sheets**

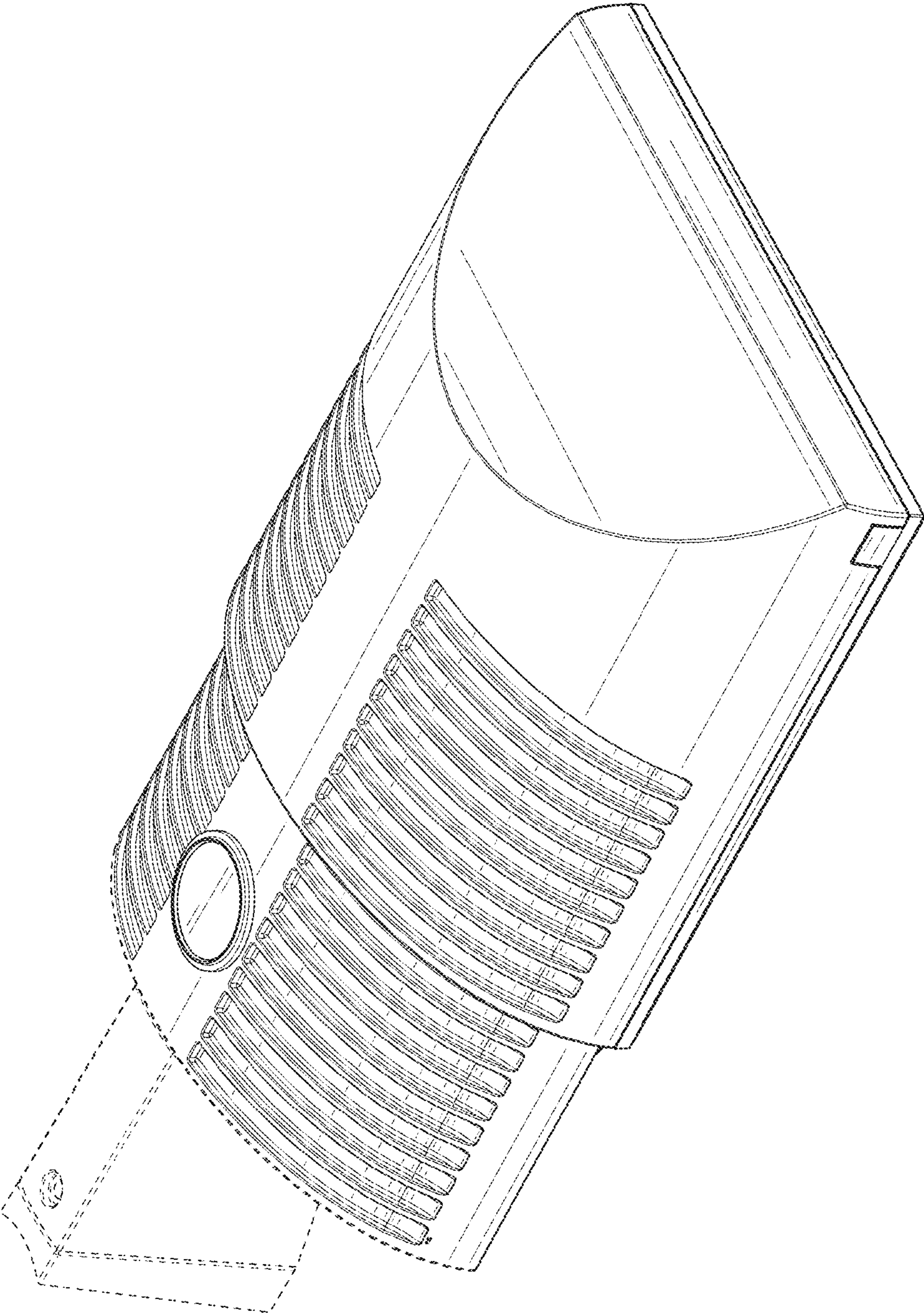


FIG. 1



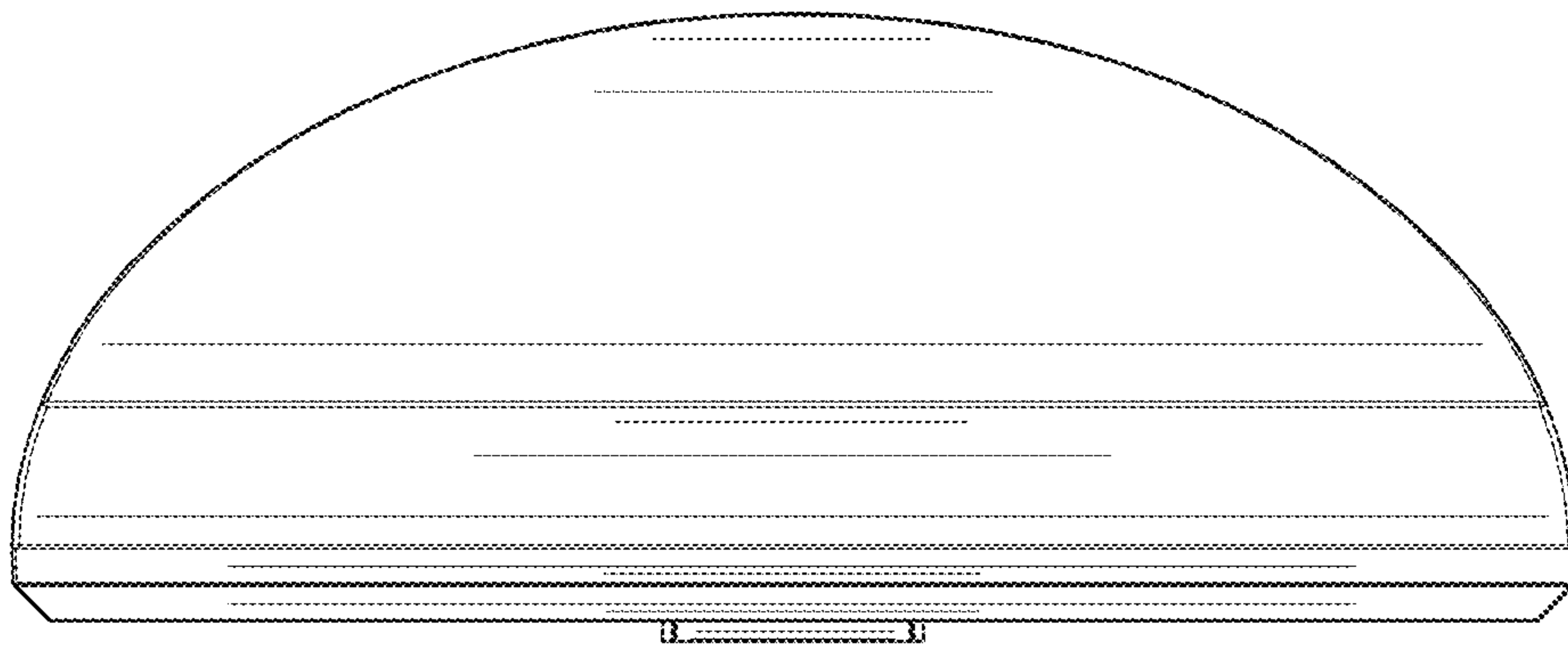


FIG. 2

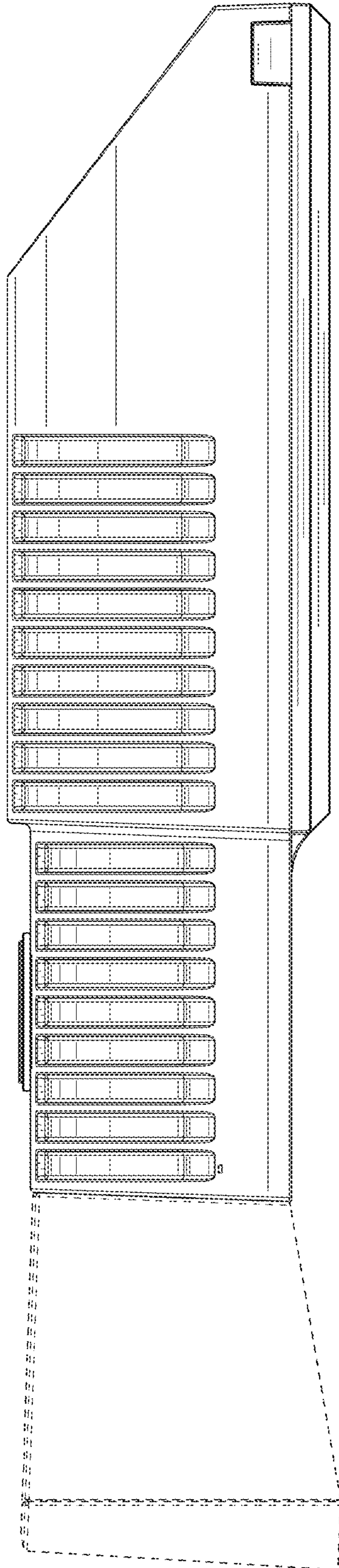


FIG. 3

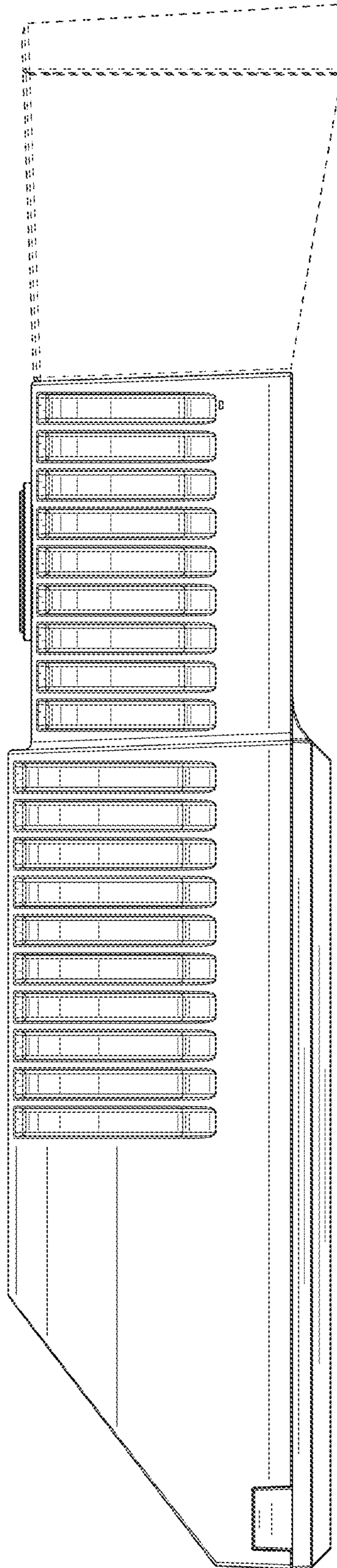


FIG. 4

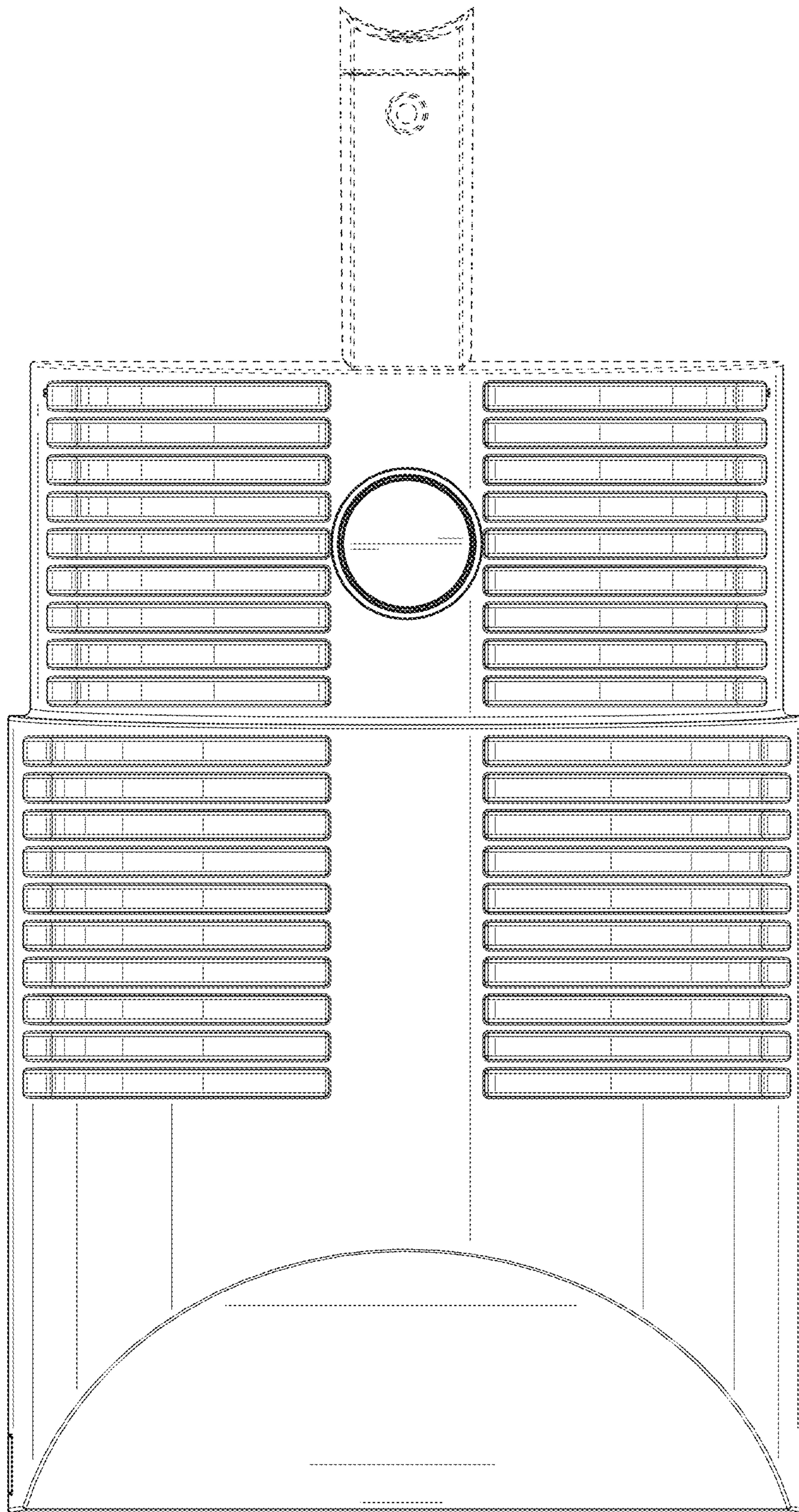


FIG. 5

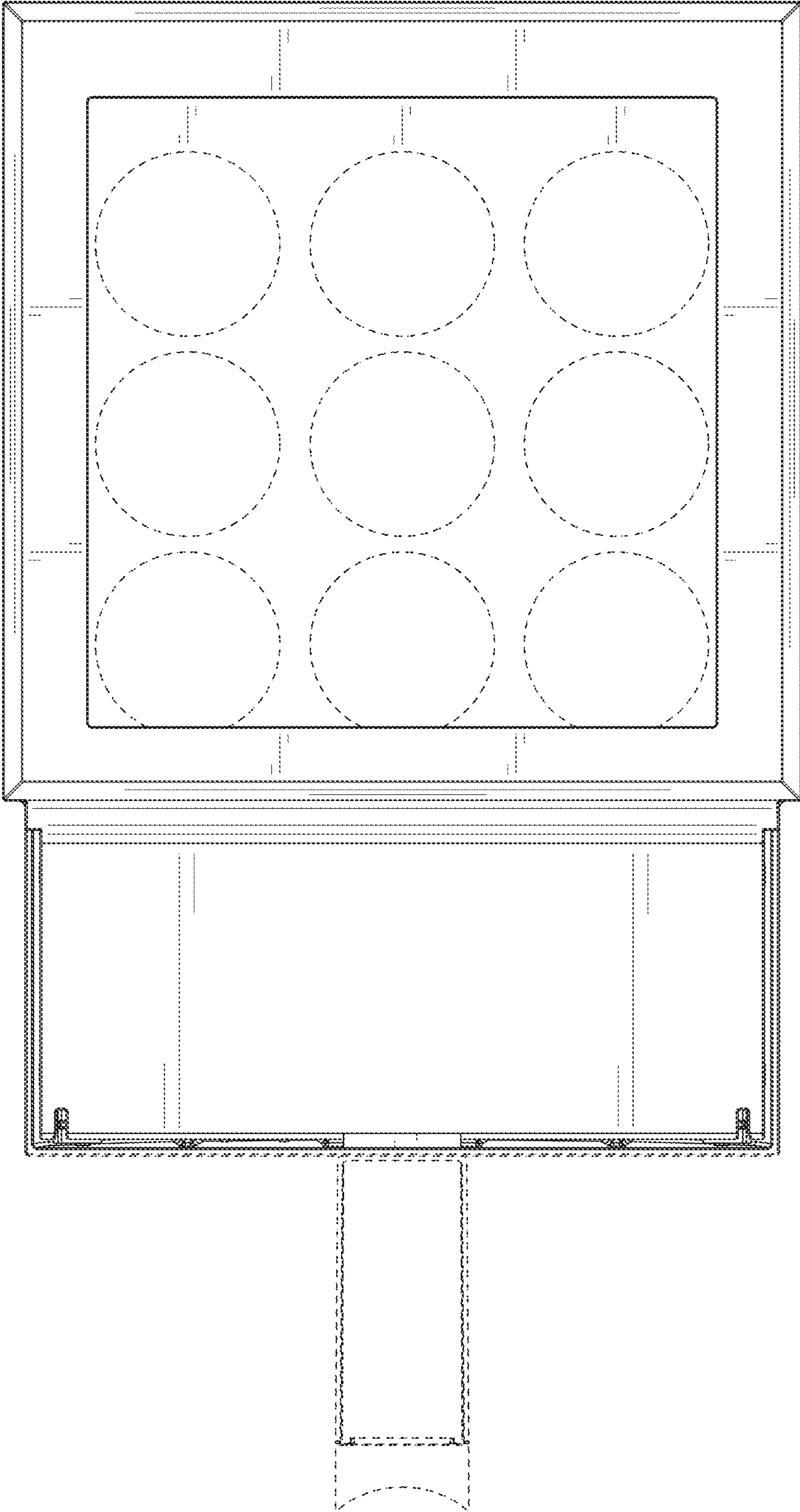


FIG. 6



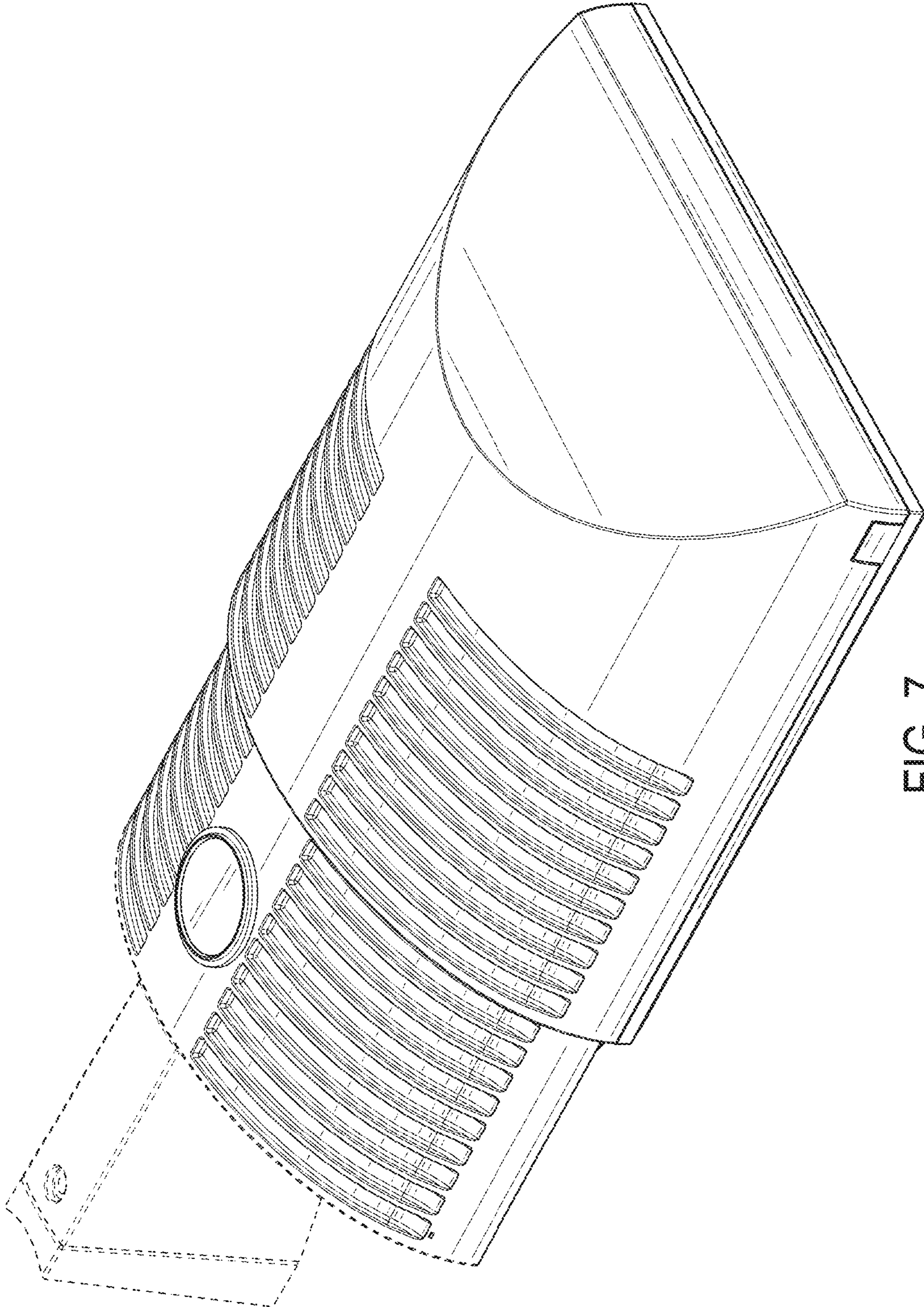


FIG. 7

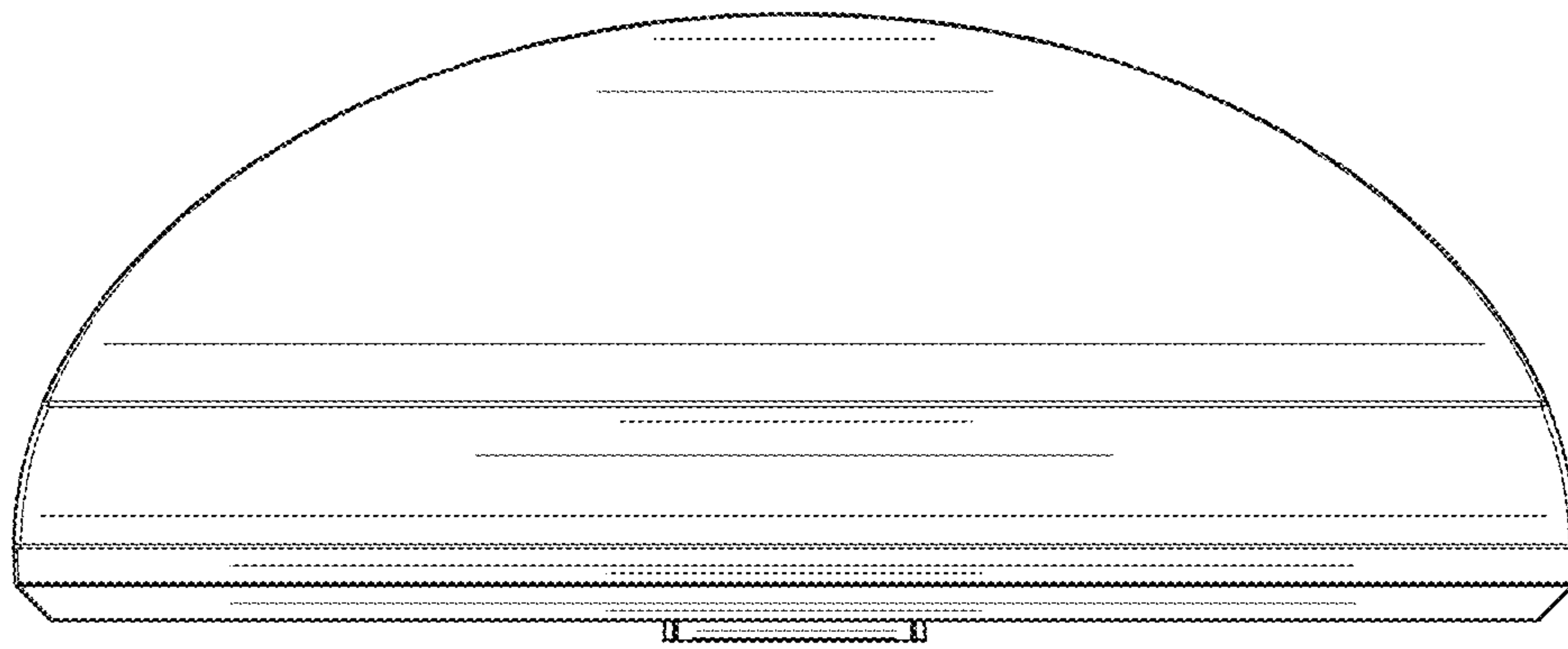


FIG. 8

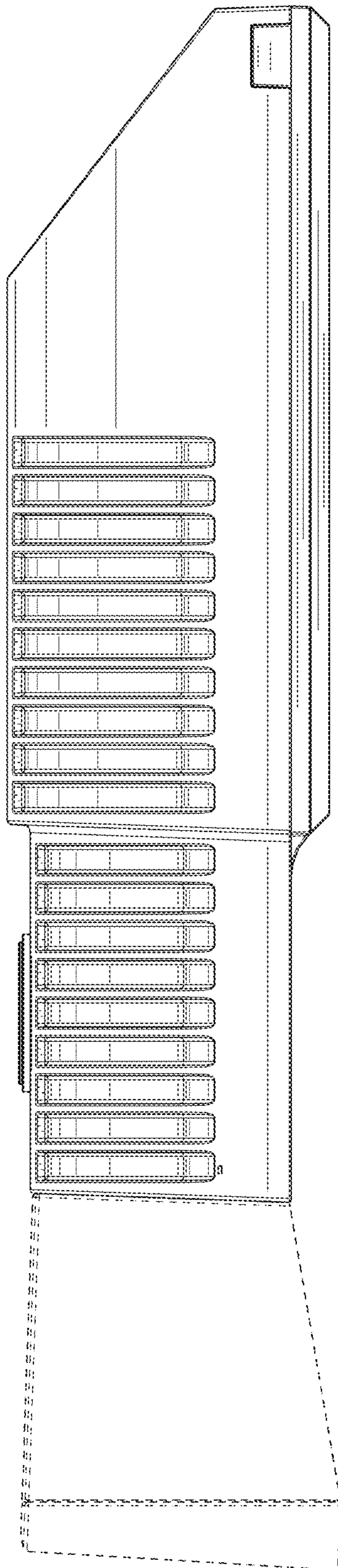


FIG. 9

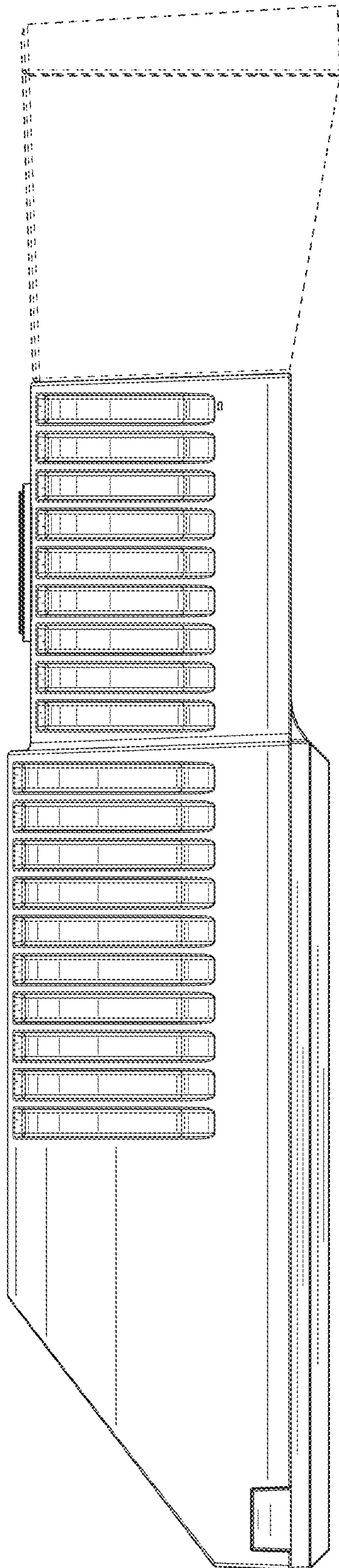


FIG. 10



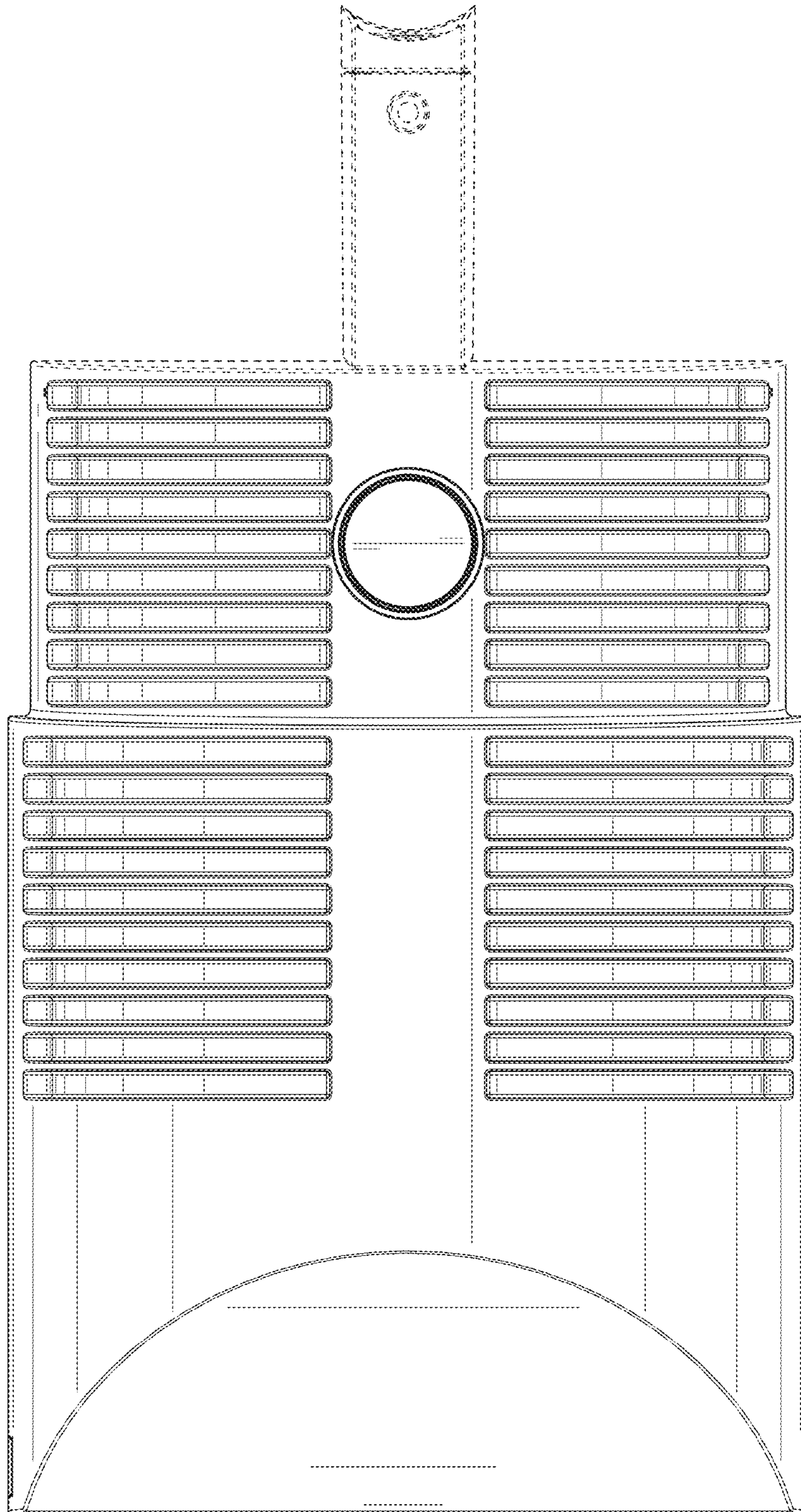


FIG. 11

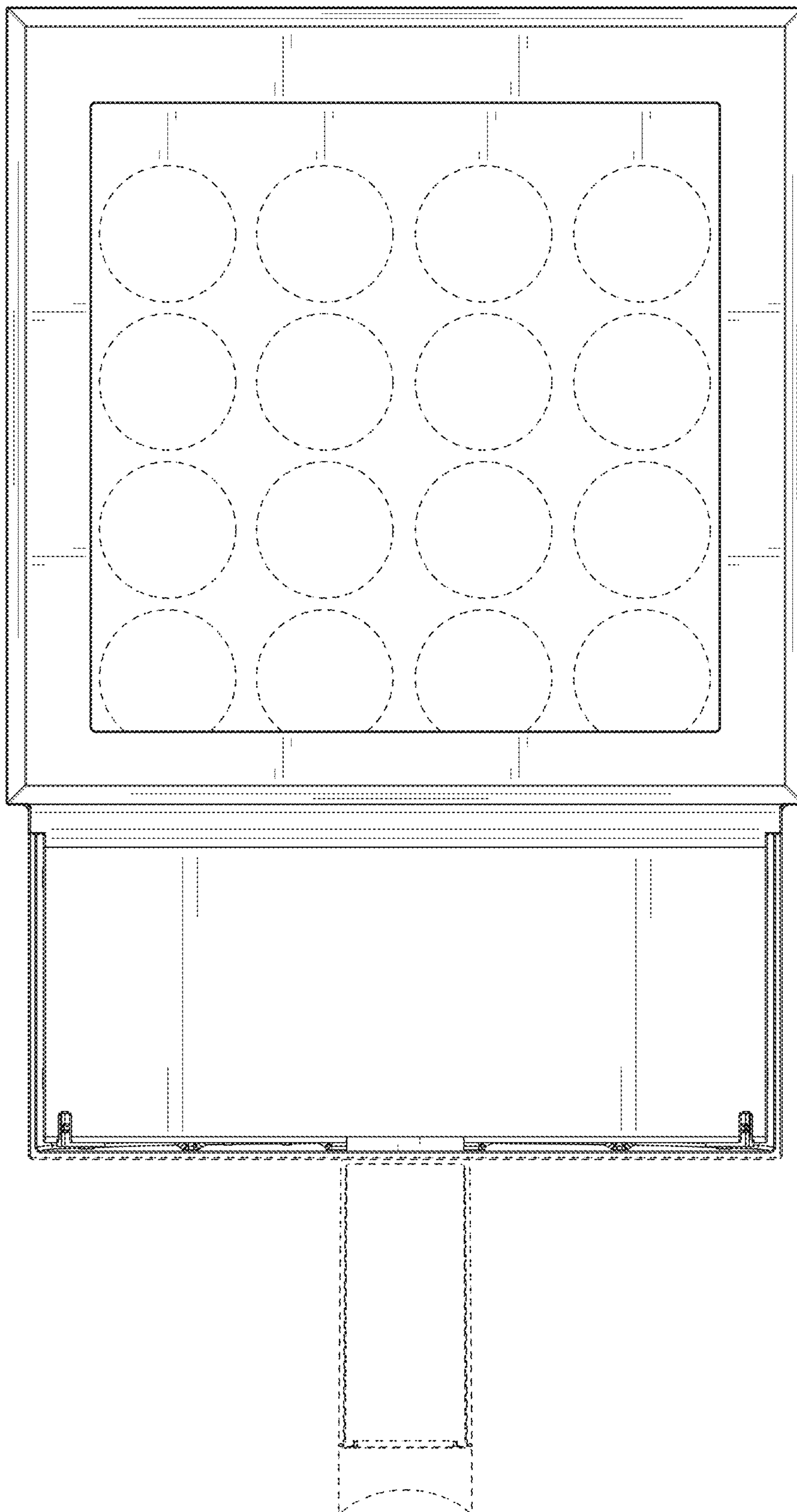


FIG. 12

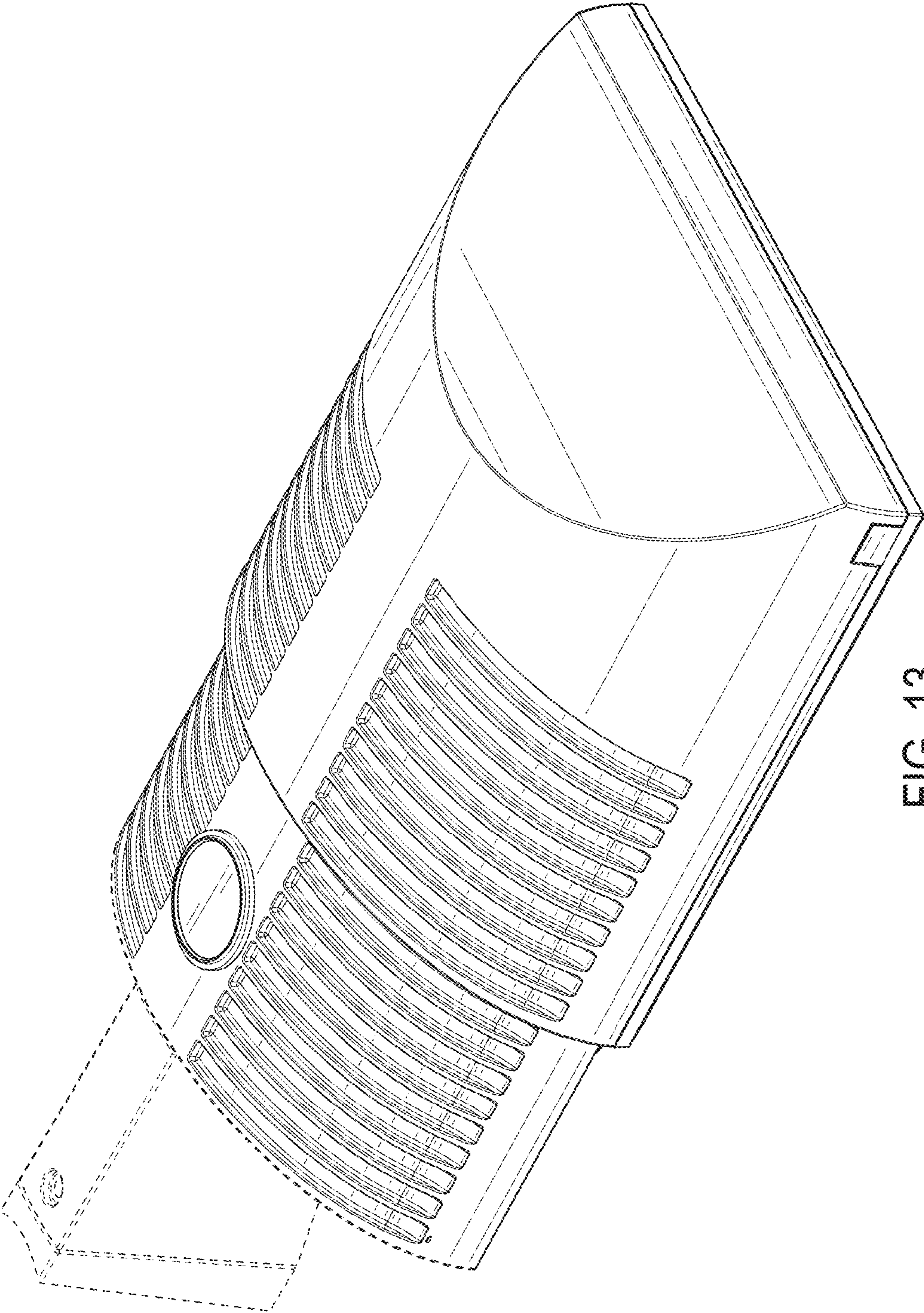


FIG. 13



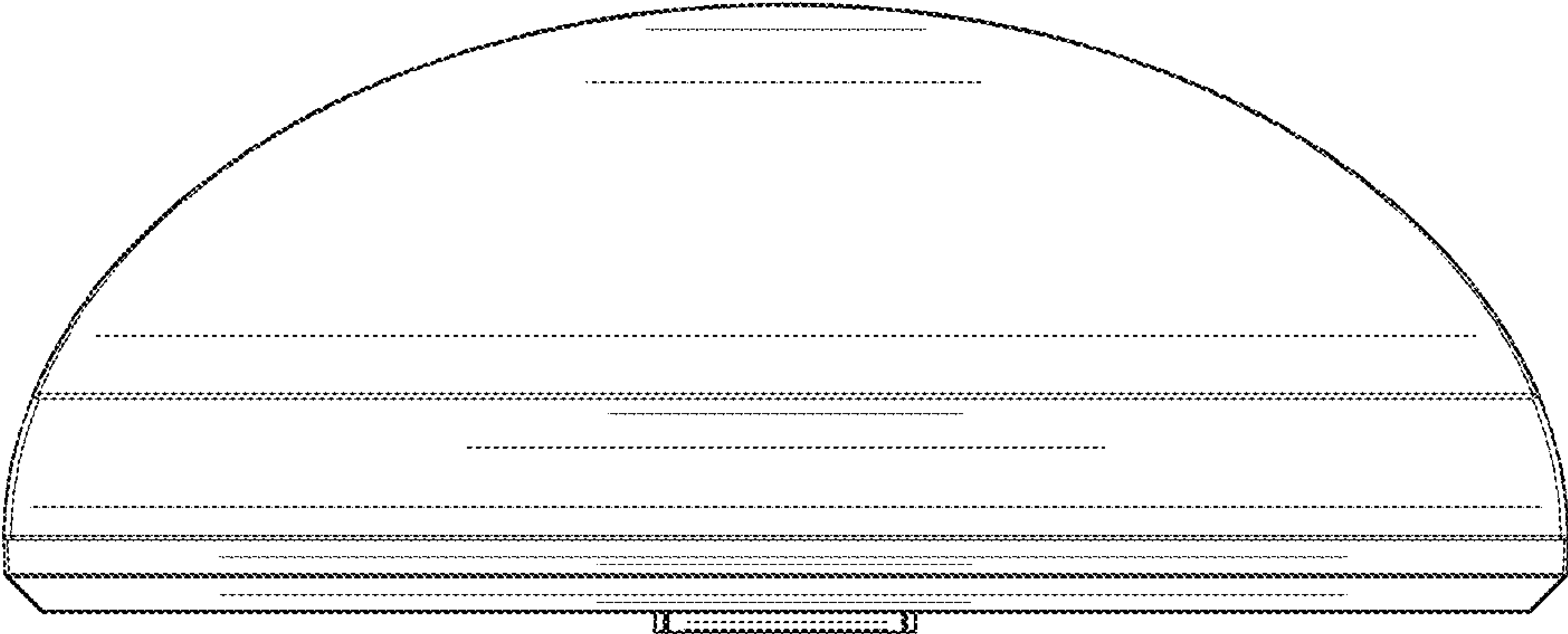


FIG. 14



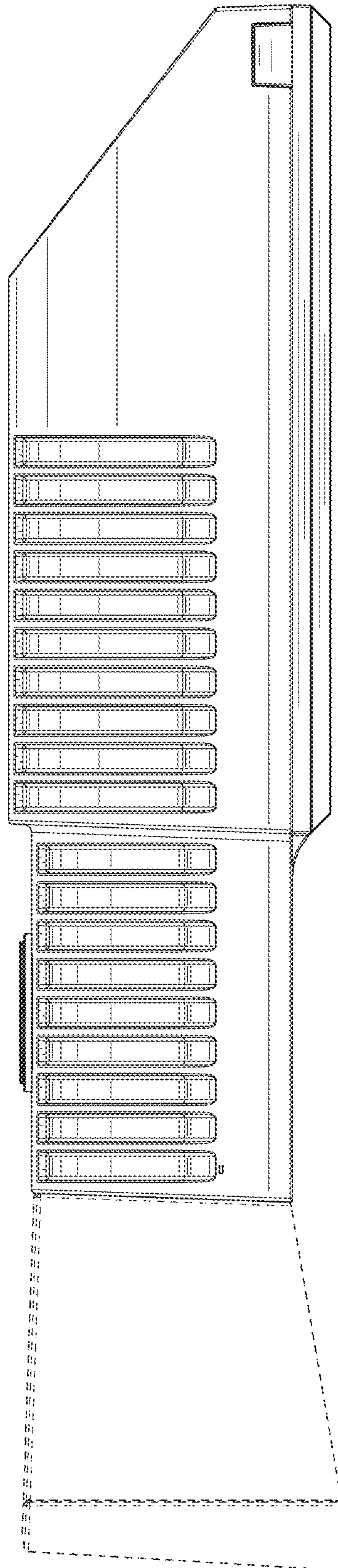


FIG. 15

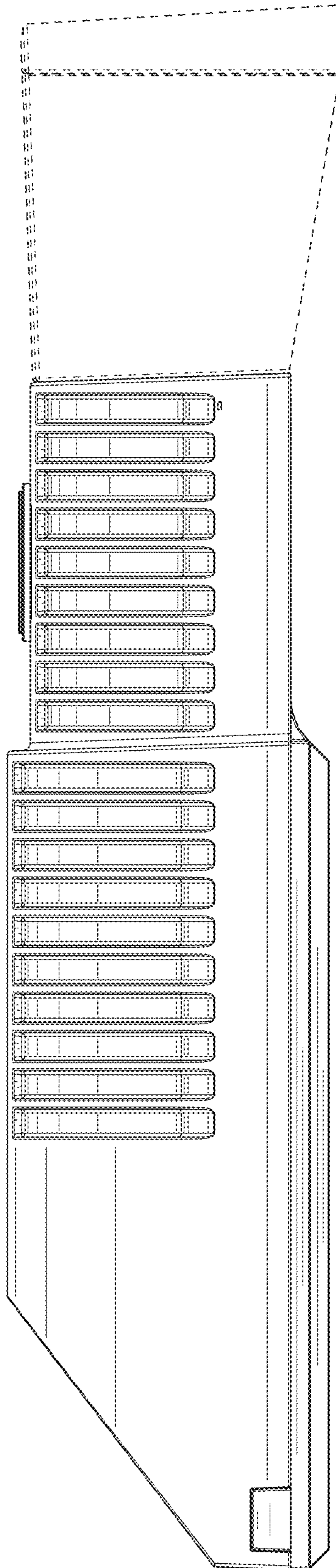


FIG. 16

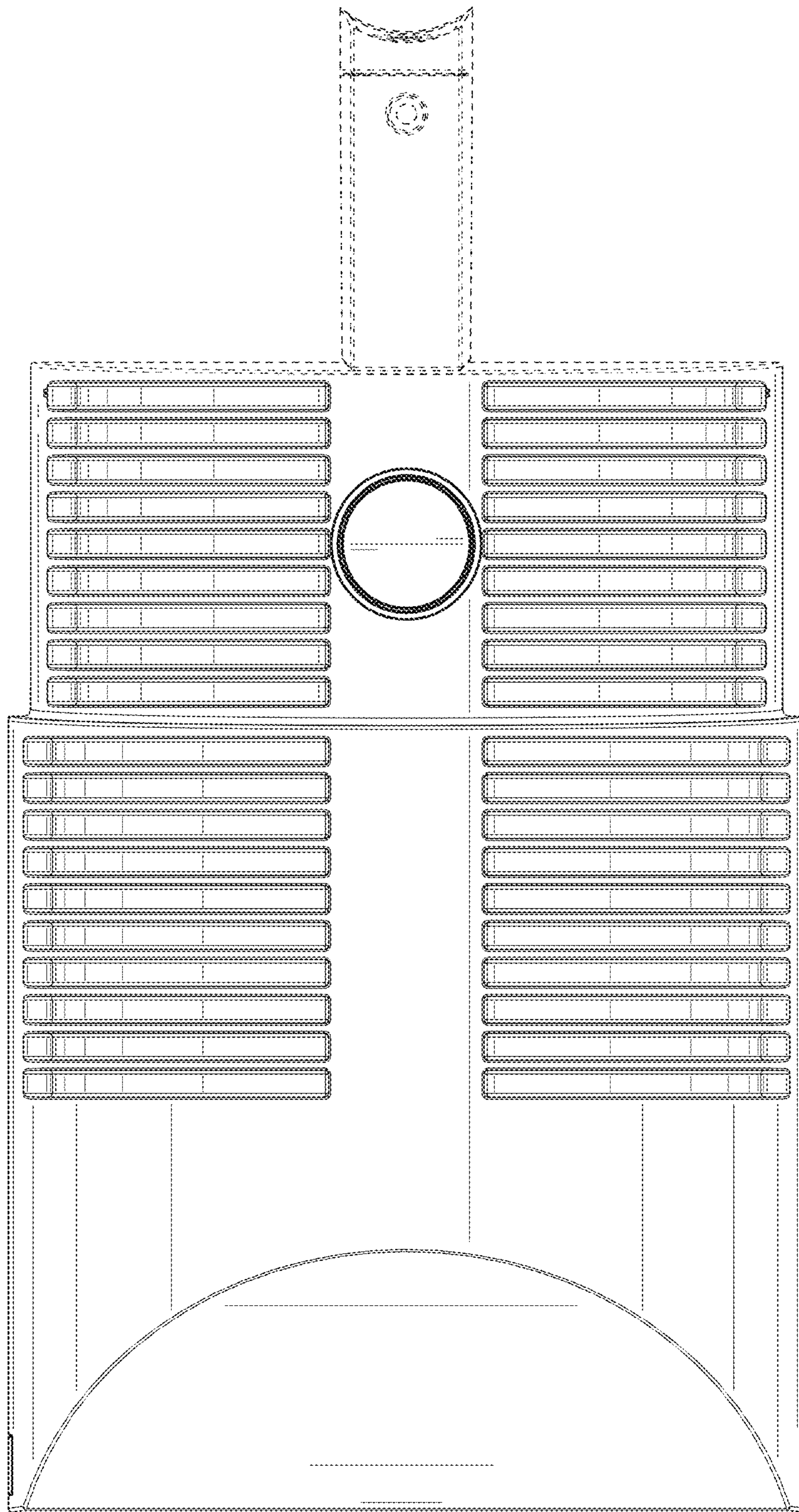


FIG. 17

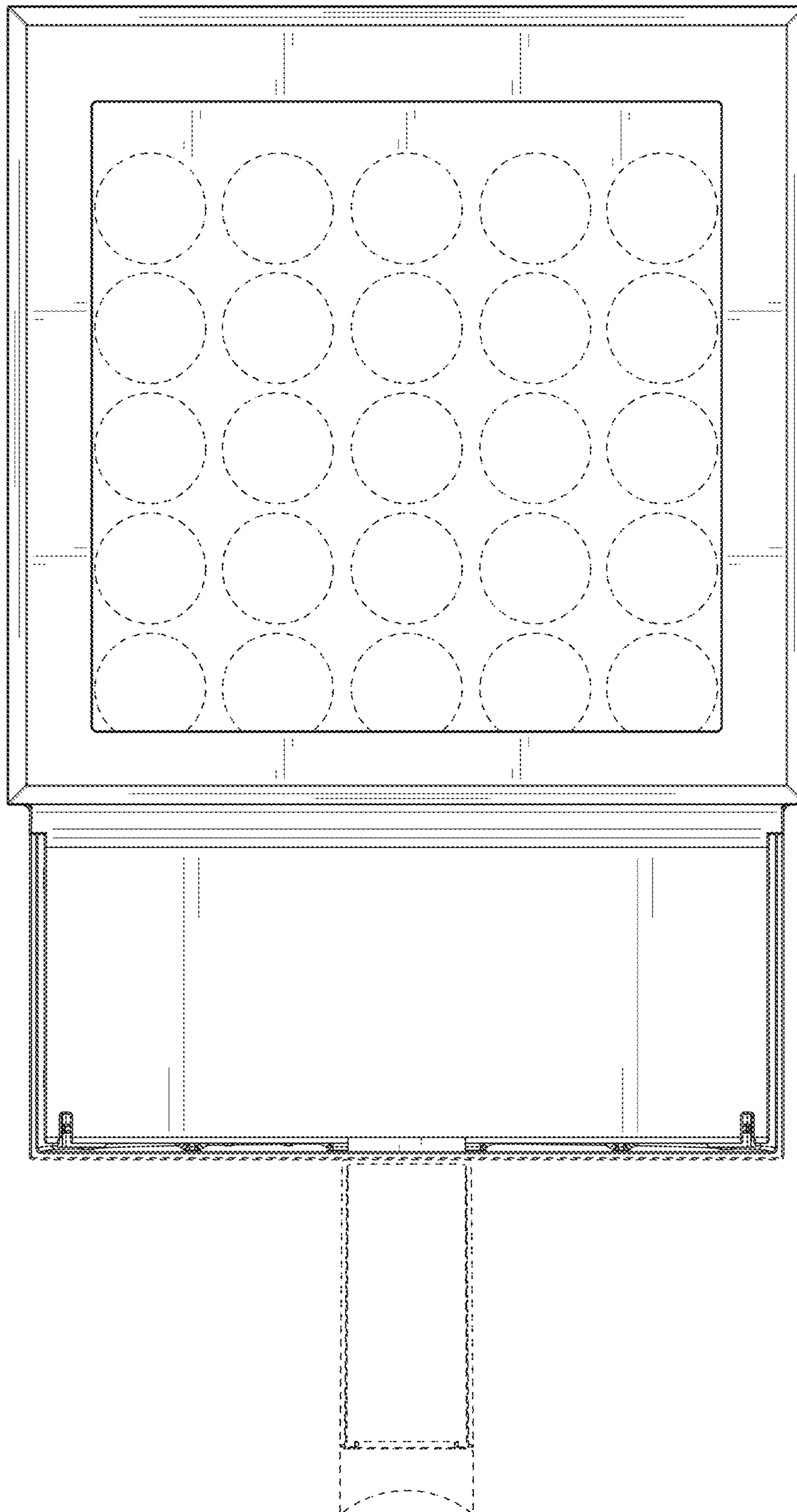


FIG. 18



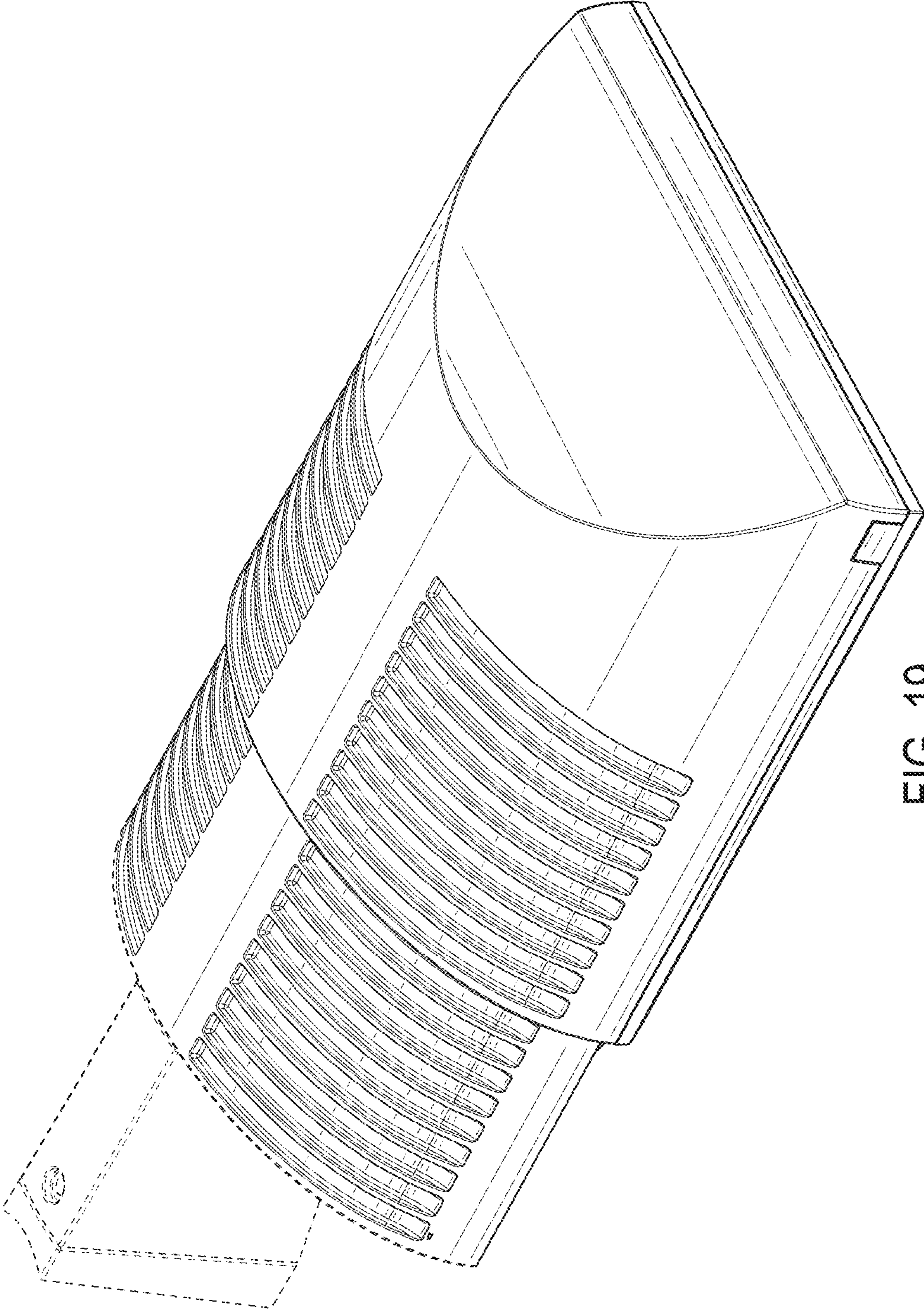


FIG. 19

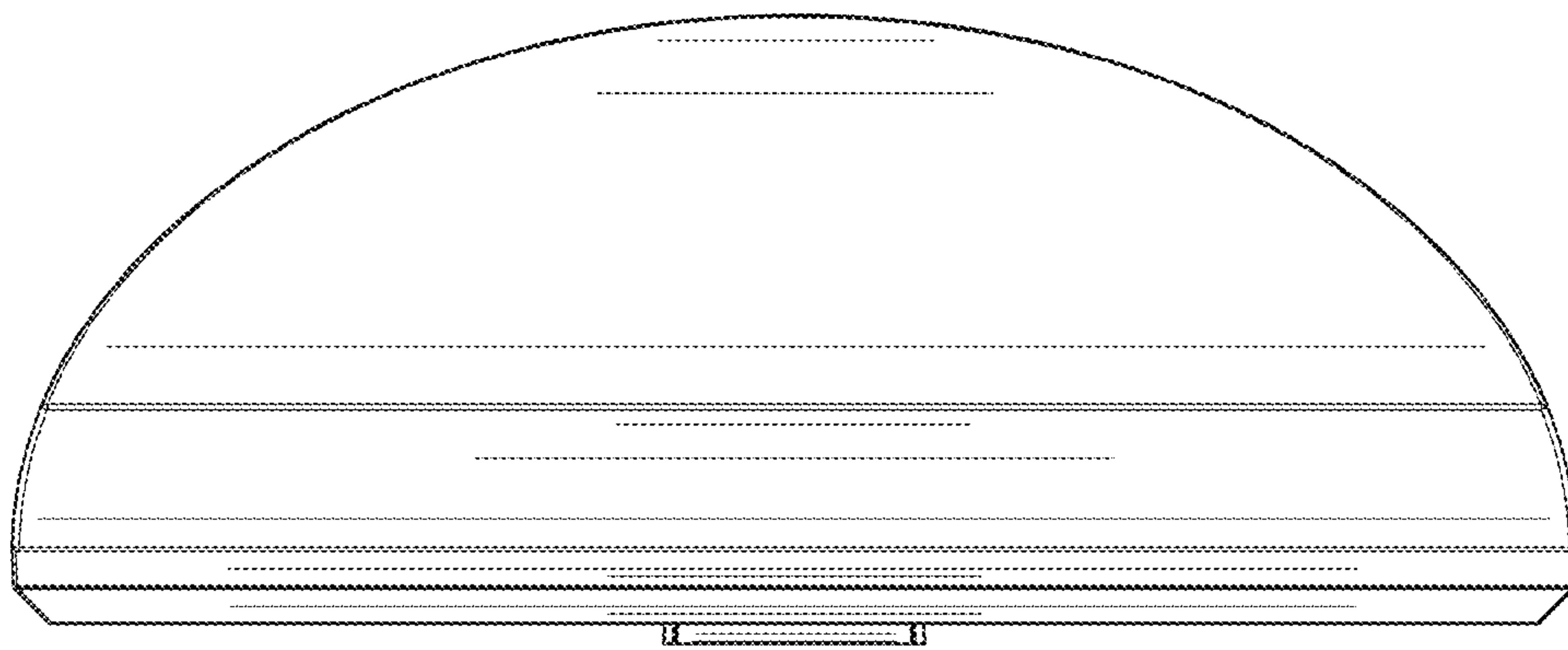


FIG. 20

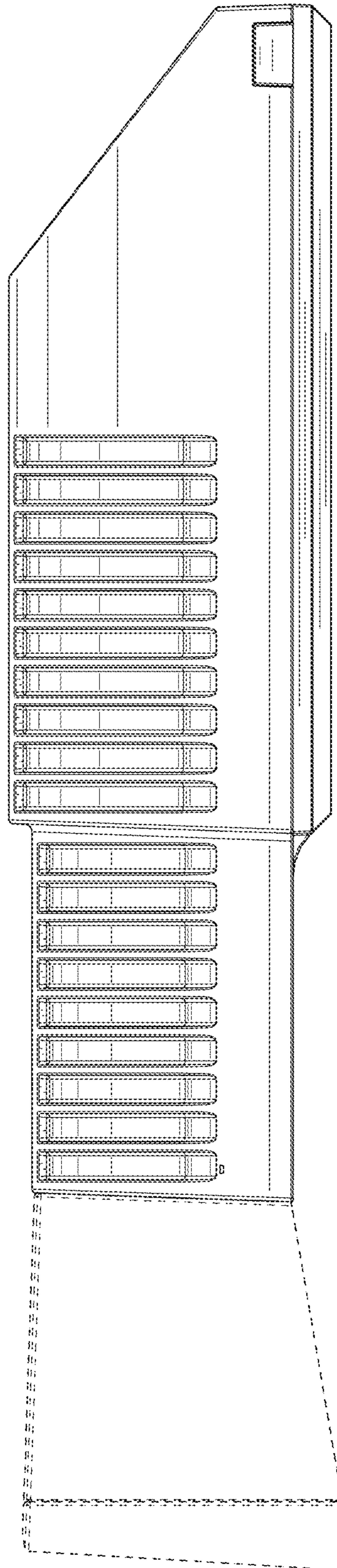


FIG. 21

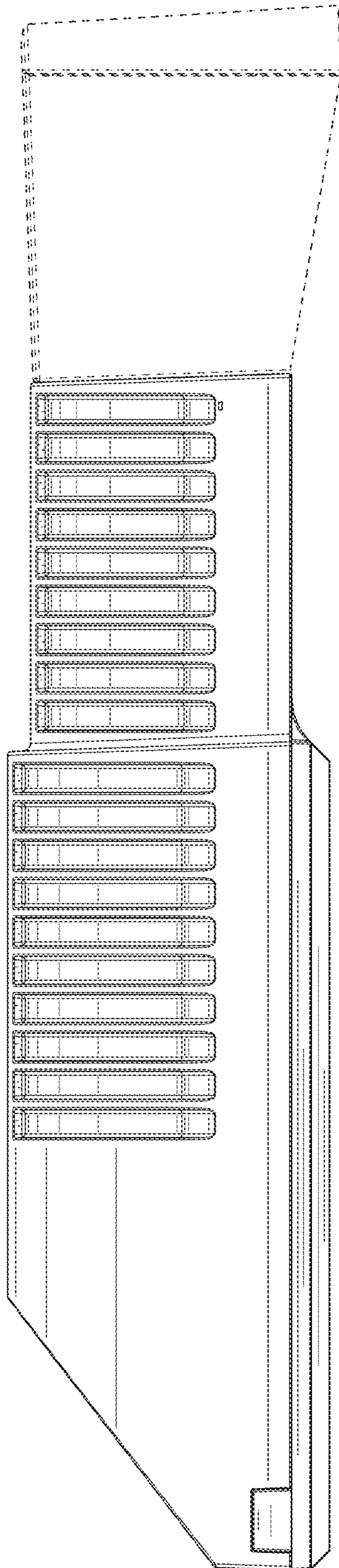


FIG. 22



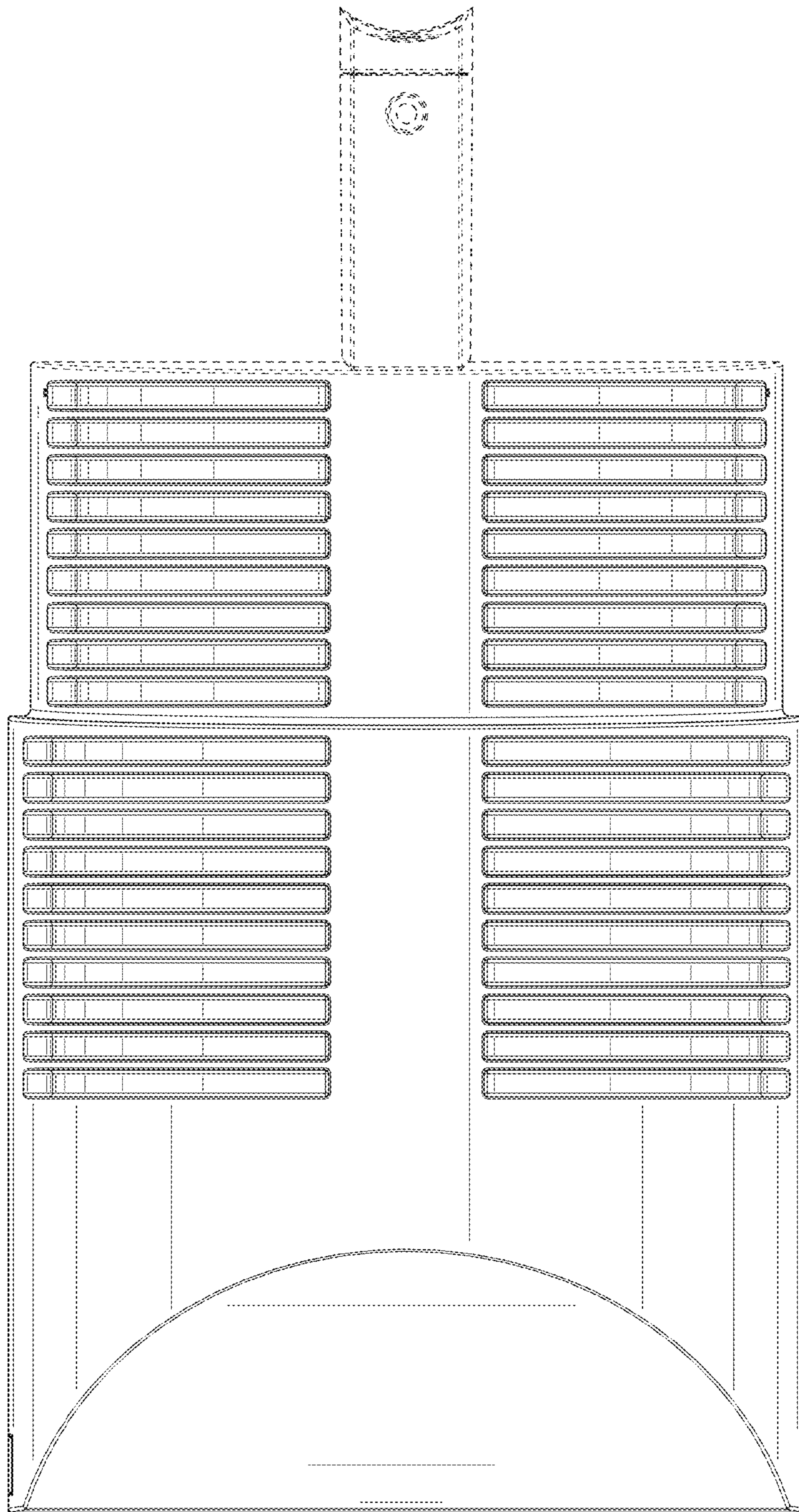


FIG. 23

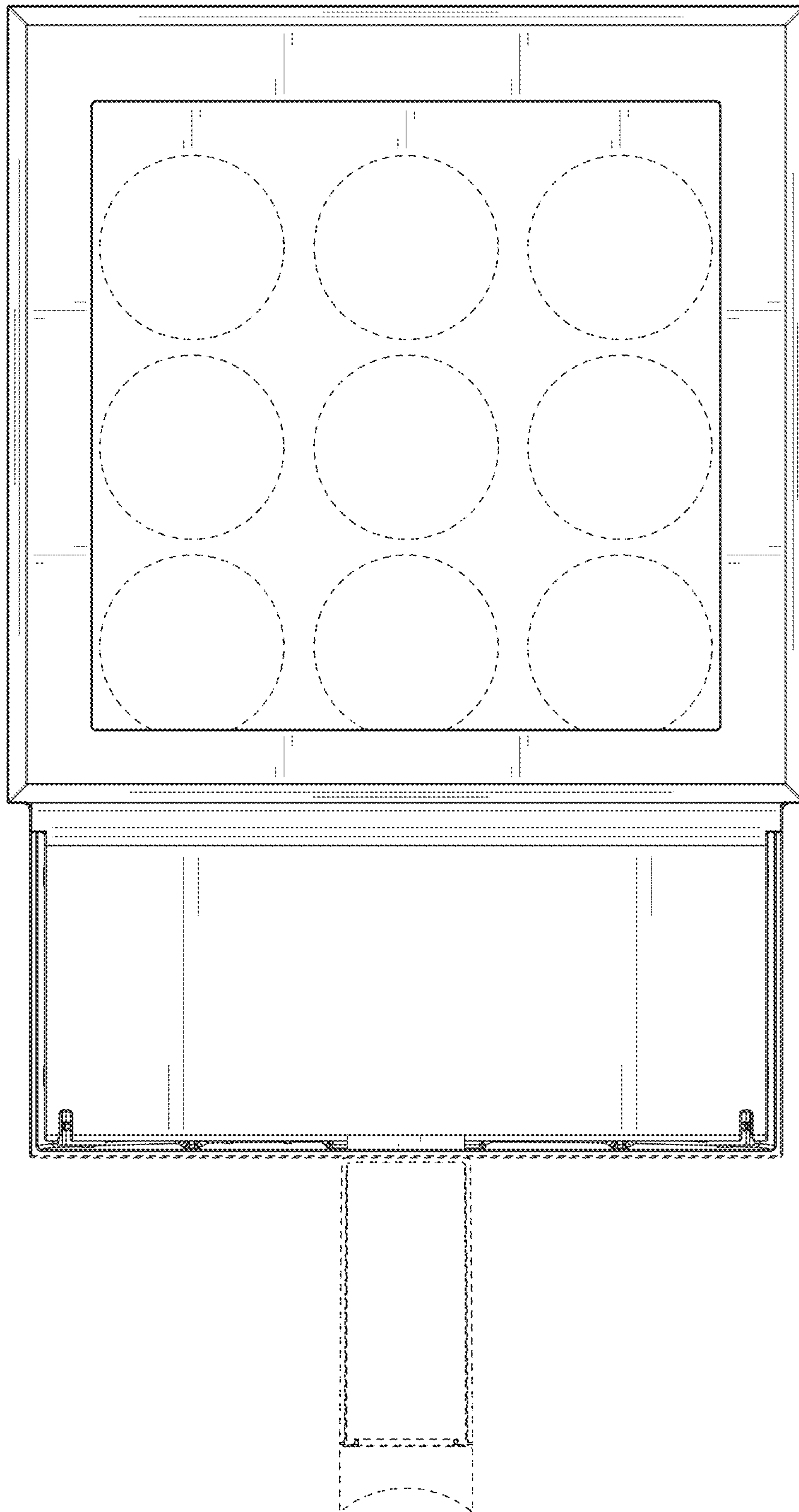


FIG. 24

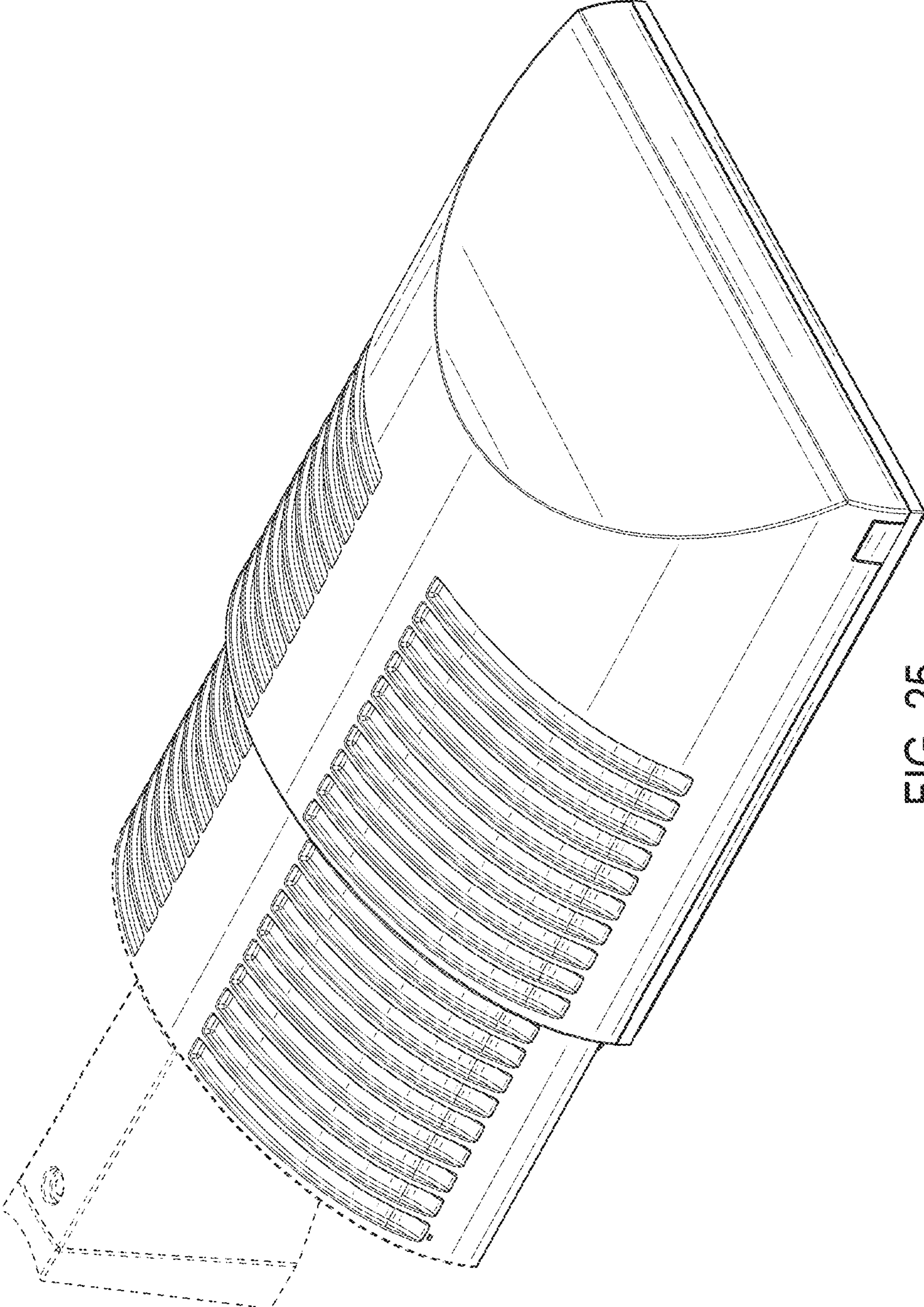


FIG. 25

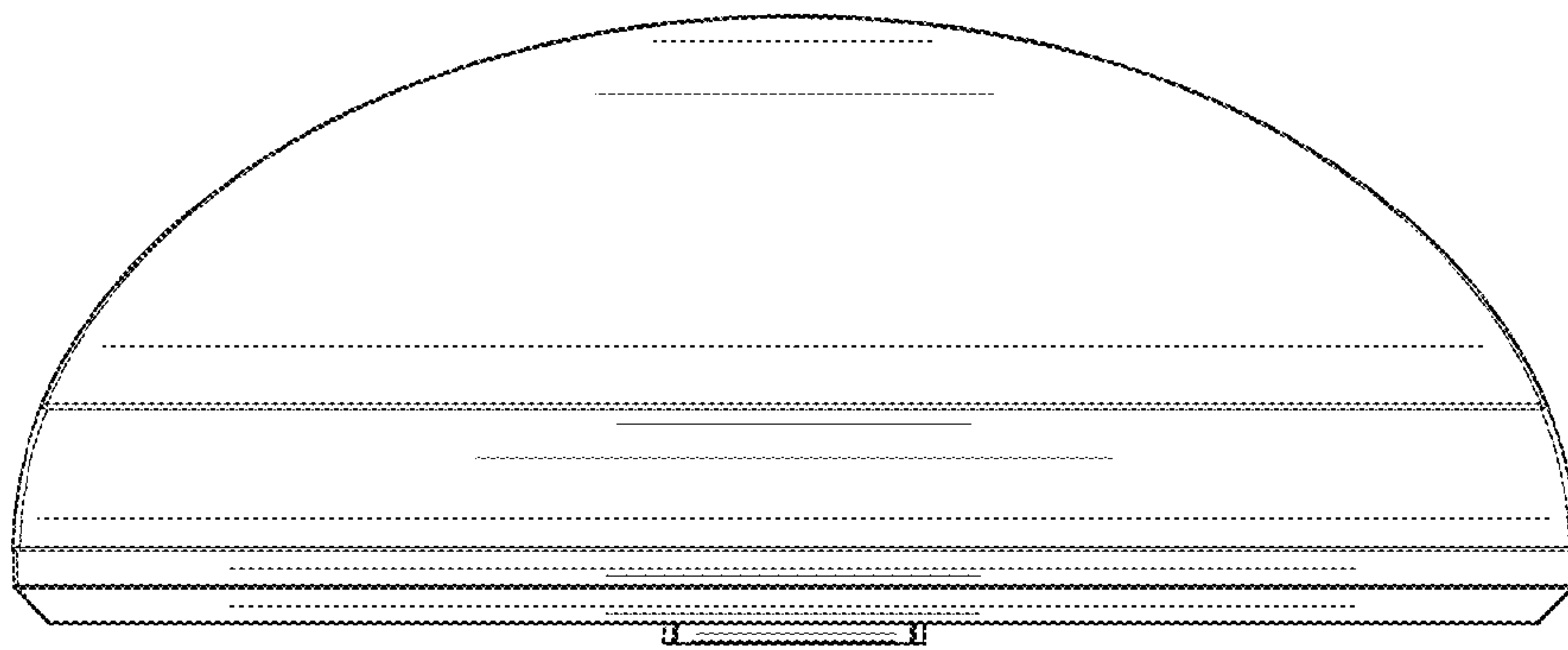


FIG. 26



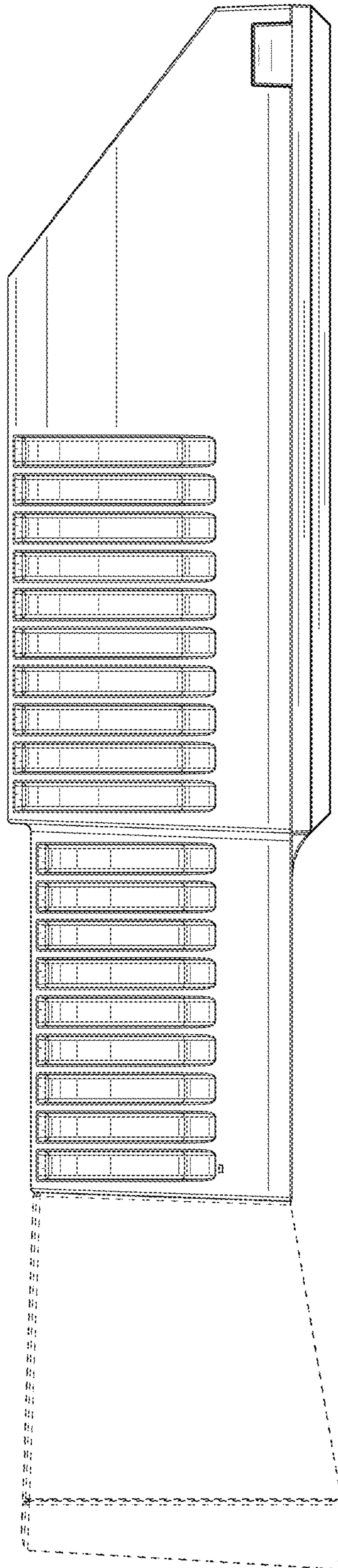


FIG. 27

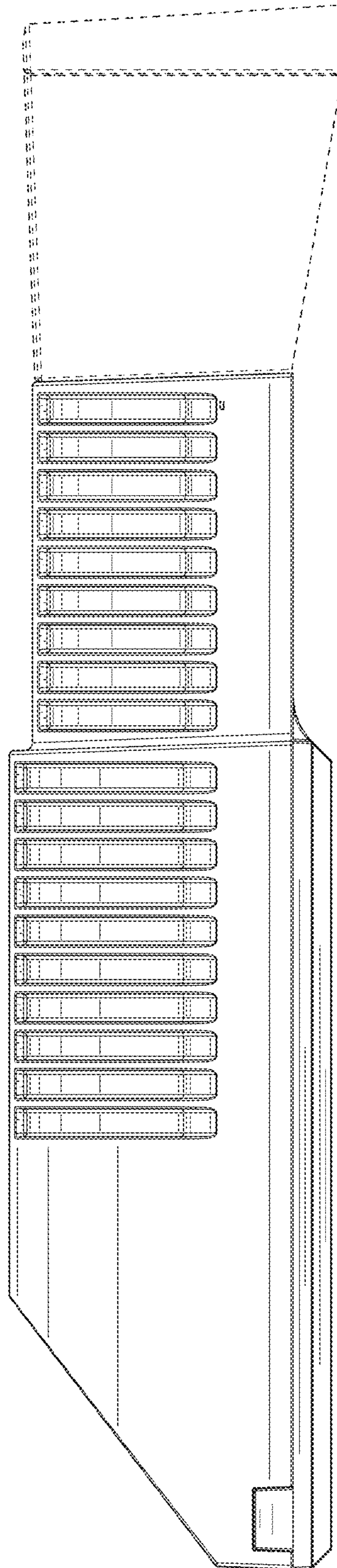


FIG. 28

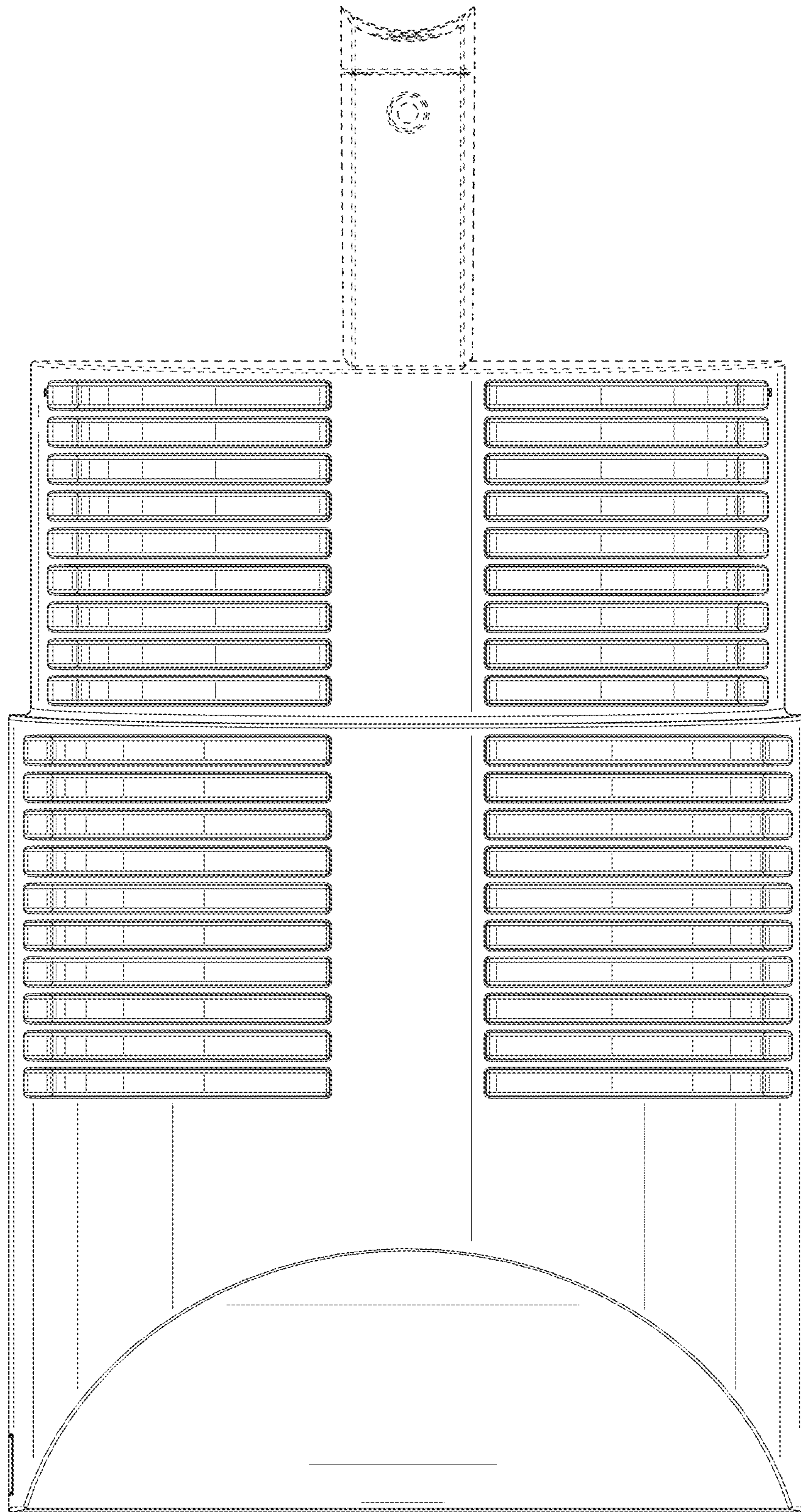


FIG. 29

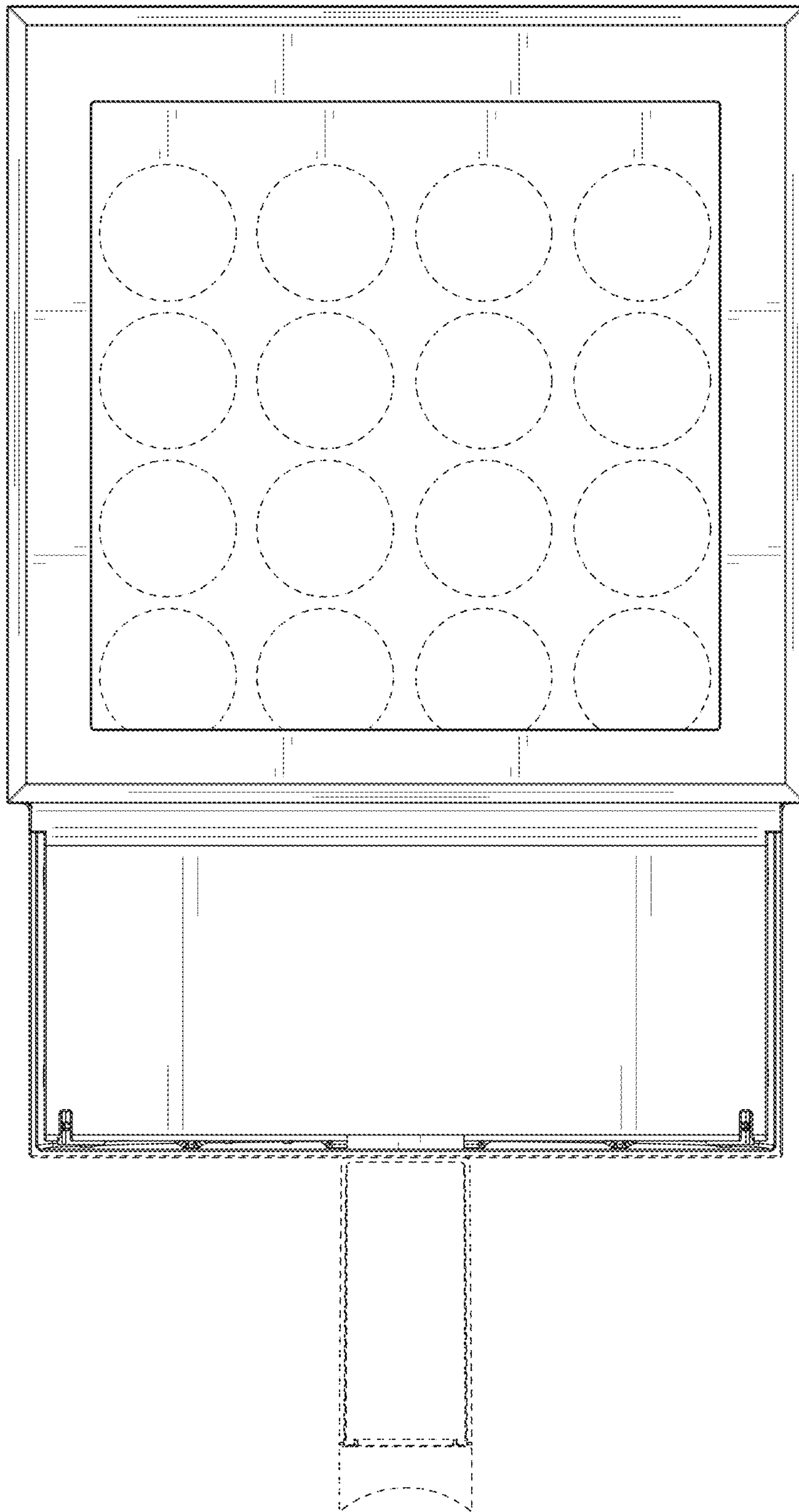


FIG. 30



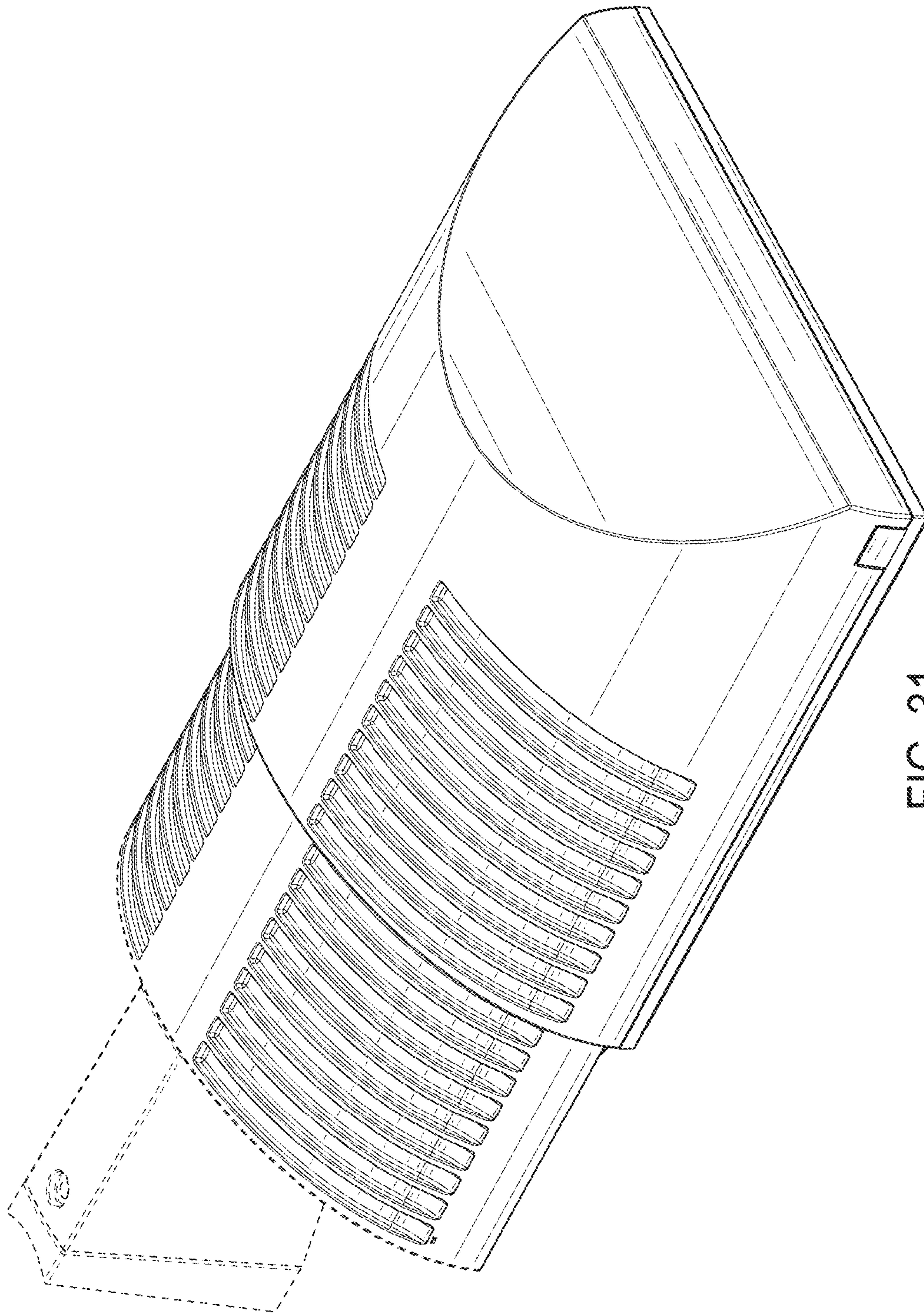


FIG. 31

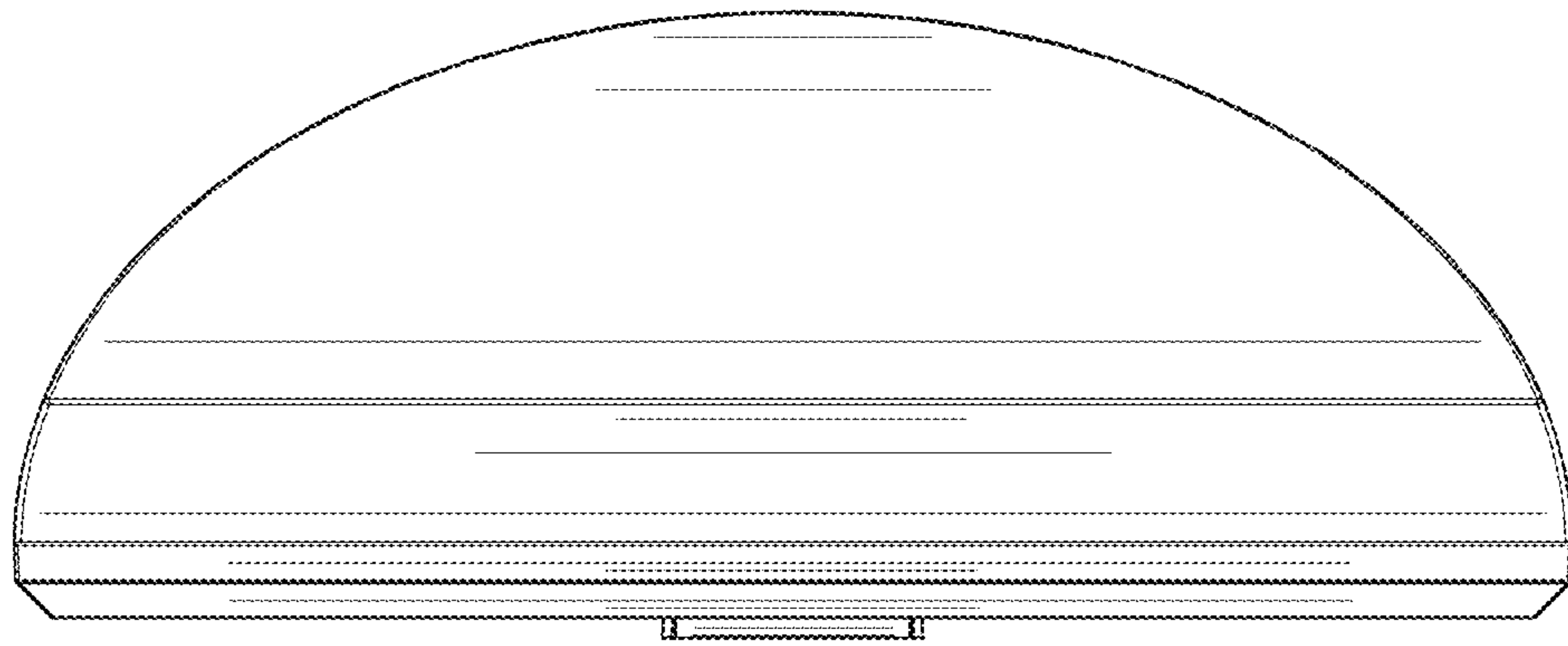


FIG. 32

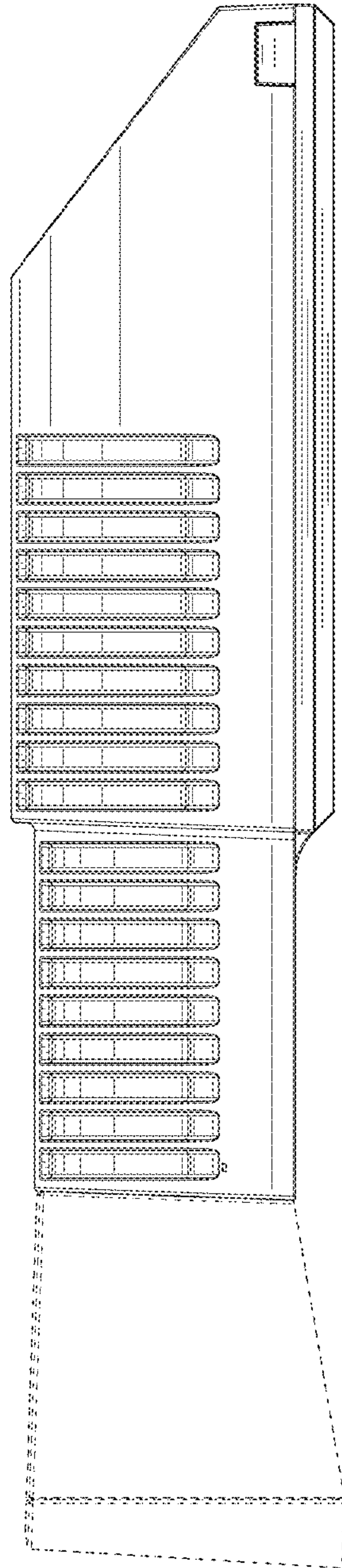


FIG. 33

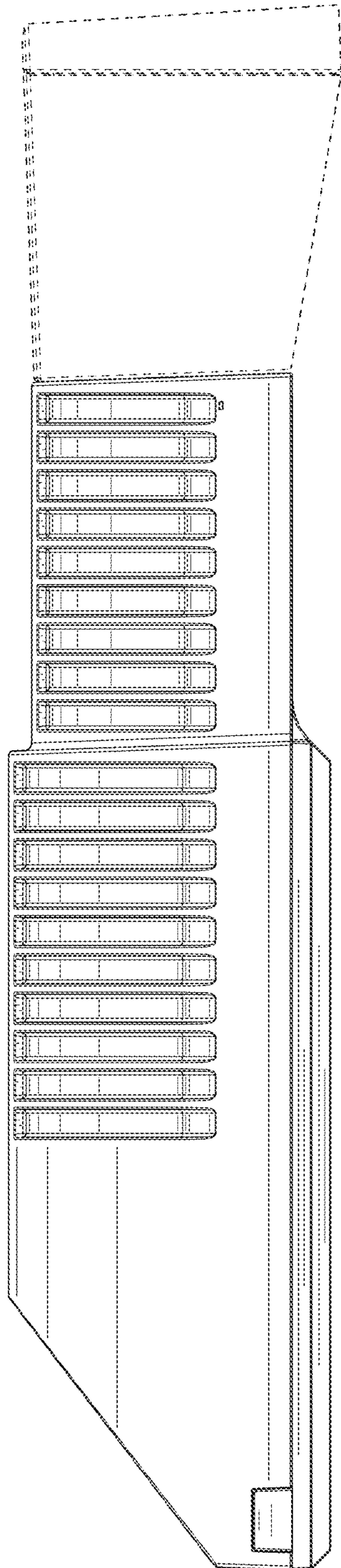


FIG. 34



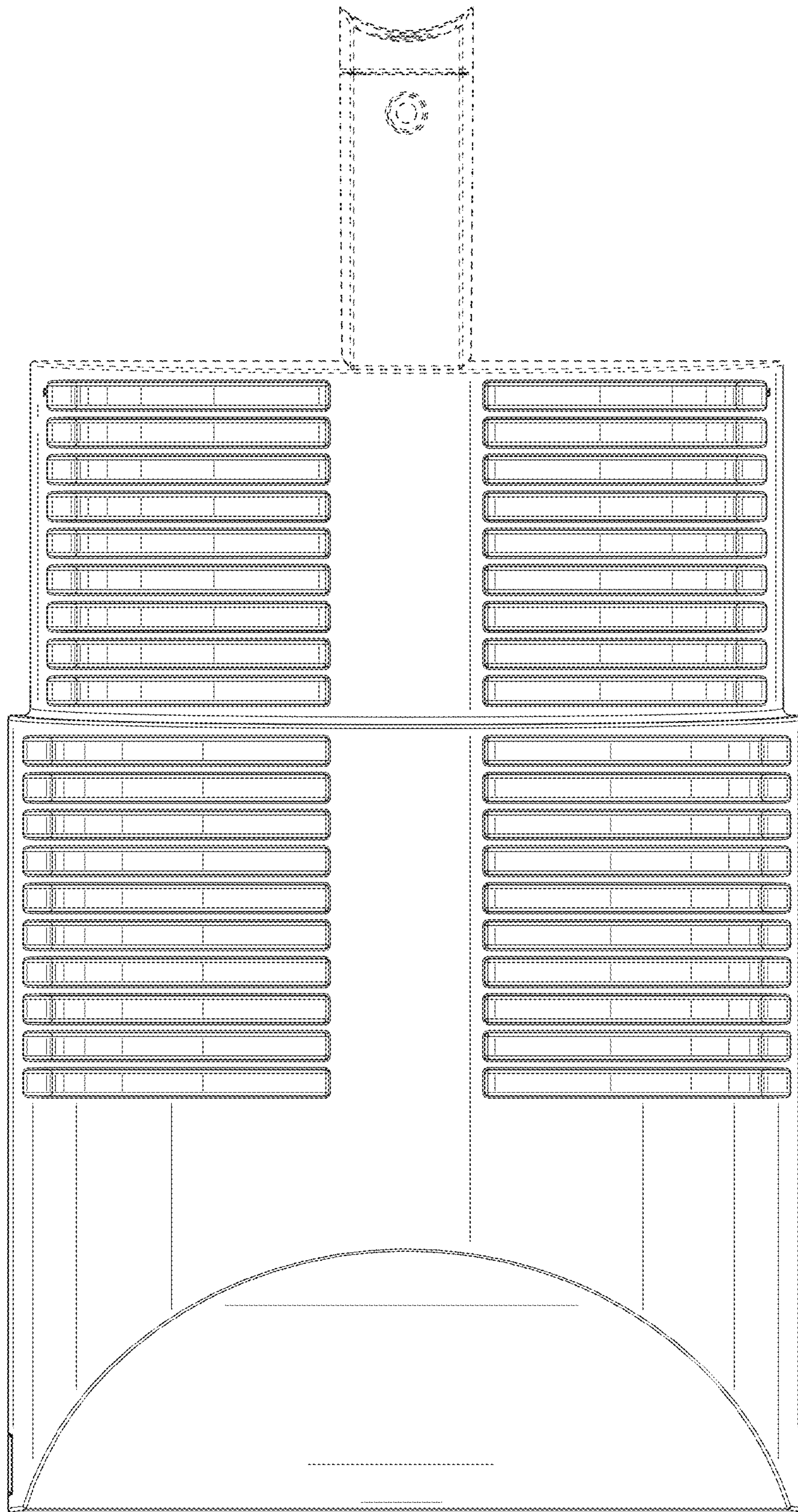


FIG. 35

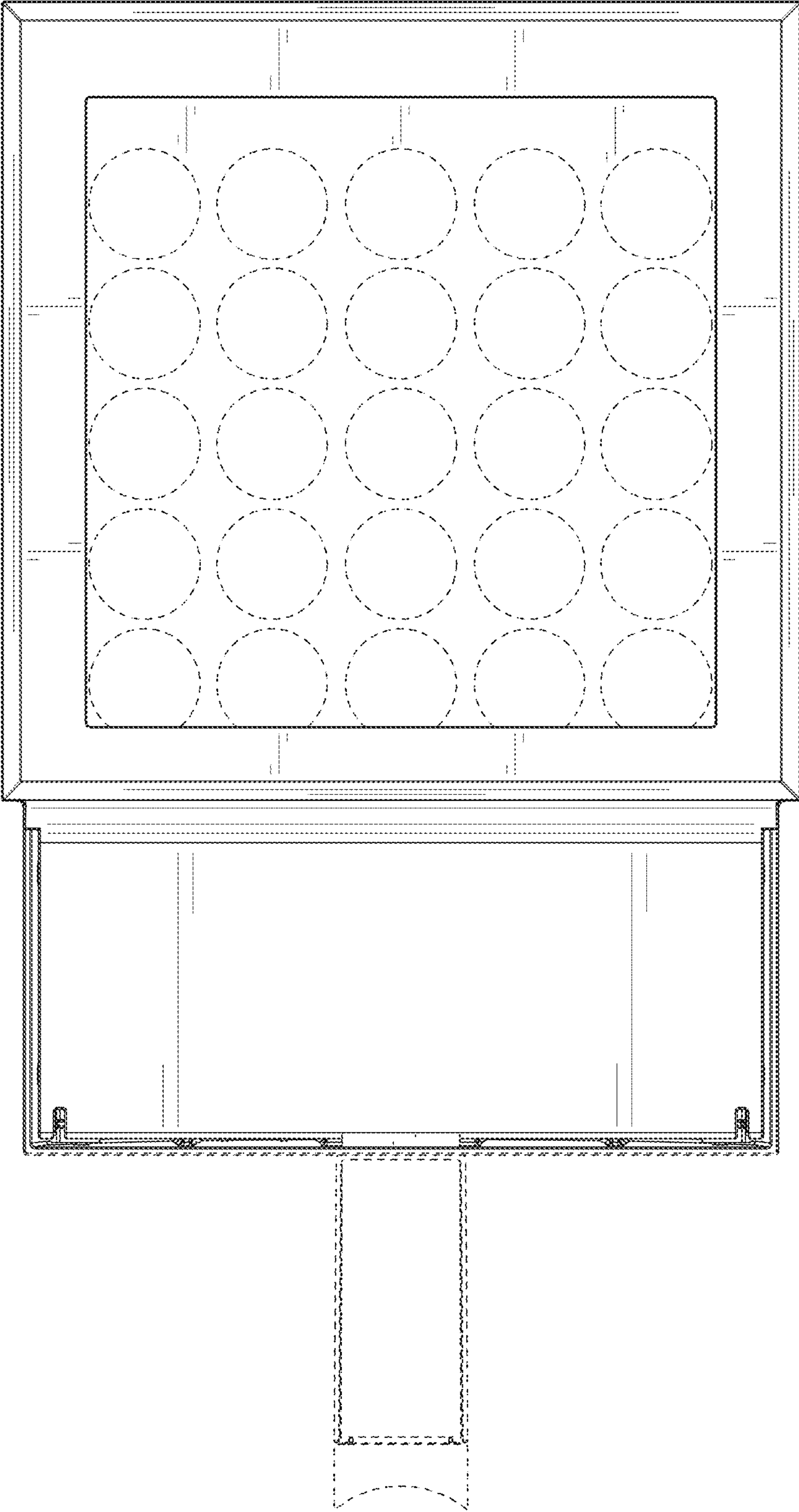


FIG. 36