



US00D769499S

(12) **United States Design Patent**  
**Gough**

(10) **Patent No.:** **US D769,499 S**

(45) **Date of Patent:** **\*\* Oct. 18, 2016**

(54) **LED LIGHT MODULE**

(71) Applicant: **Global Tech China Limited**, Kowloon (HK)

(72) Inventor: **Keith Adrian Gough**, Kowloon (HK)

(\*\*) Term: **15 Years**

(21) Appl. No.: **29/539,337**

(22) Filed: **Sep. 14, 2015**

(51) **LOC (10) Cl.** ..... **26-03**

(52) **U.S. Cl.**  
USPC ..... **D26/65**

(58) **Field of Classification Search**

USPC ..... D26/24, 51, 61, 63, 65, 72, 80  
CPC ..... F21S 8/04; F21S 8/00; F21V 21/00;  
F21V 17/02; F21V 14/02; F21V 21/30;  
F21V 21/14; F21V 21/26; F21W 2131/10  
See application file for complete search history.

(56) **References Cited**

**U.S. PATENT DOCUMENTS**

D264,253 S \* 5/1982 Goldschmidt ..... D26/63  
5,649,761 A \* 7/1997 Sandell ..... F21V 17/02  
362/276

D628,329 S \* 11/2010 Tuli ..... D26/63  
D713,579 S \* 9/2014 Chen ..... D26/63  
D713,582 S \* 9/2014 Liang ..... D26/63  
D742,053 S \* 10/2015 Sussman ..... D26/63  
D745,201 S \* 12/2015 Lee ..... D26/63

\* cited by examiner

*Primary Examiner* — Brian N Vinson

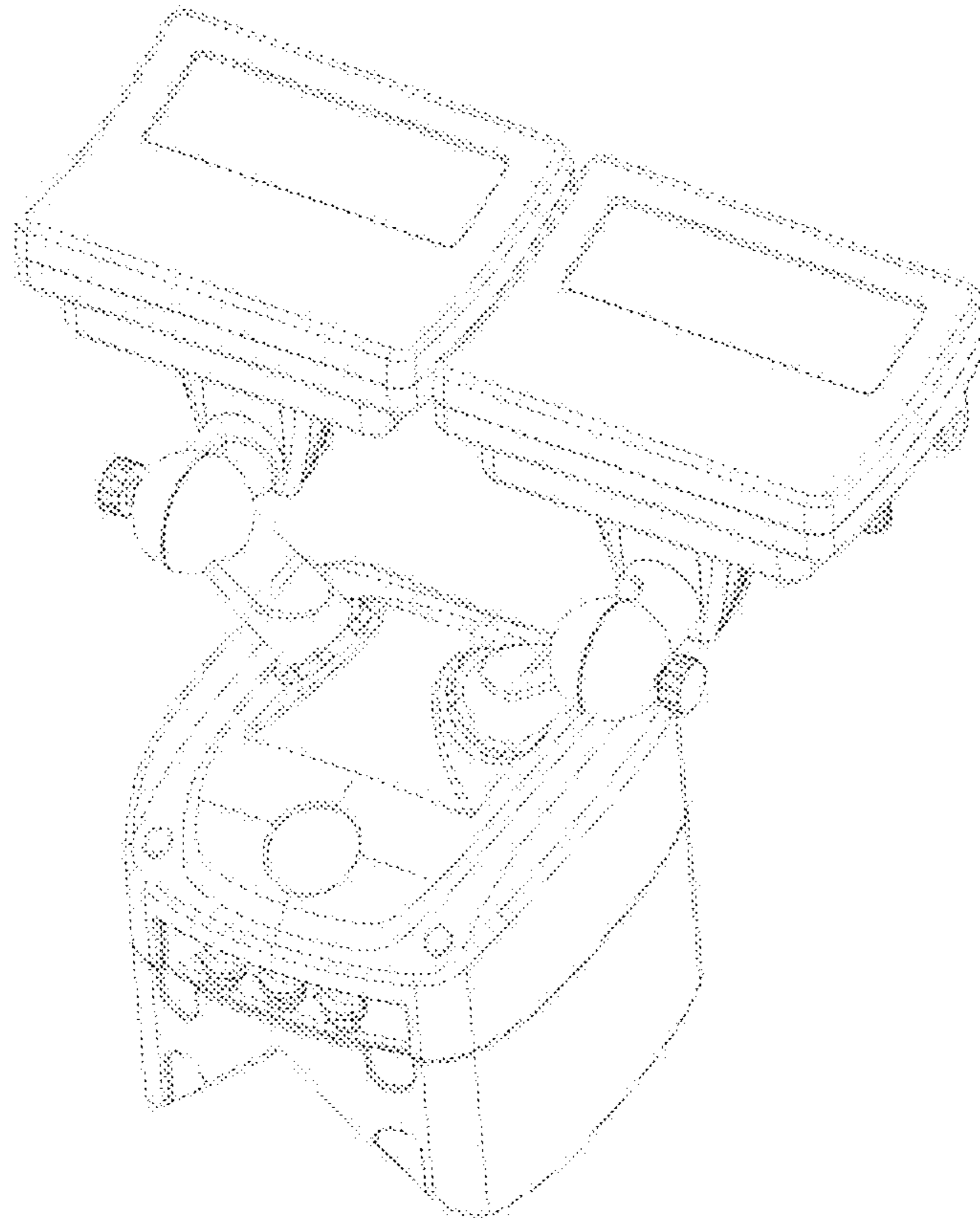
(57) **CLAIM**

The ornamental design for a LED light module, as shown and described.

**DESCRIPTION**

FIG. 1 is the front view of a LED light module showing my new design;  
FIG. 2 is the rear view thereof;  
FIG. 3 is the left view thereof;  
FIG. 4 is the right view thereof;  
FIG. 5 is the top view thereof;  
FIG. 6 is the bottom view thereof; and,  
FIG. 7 is the perspective view thereof.

**1 Claim, 7 Drawing Sheets**



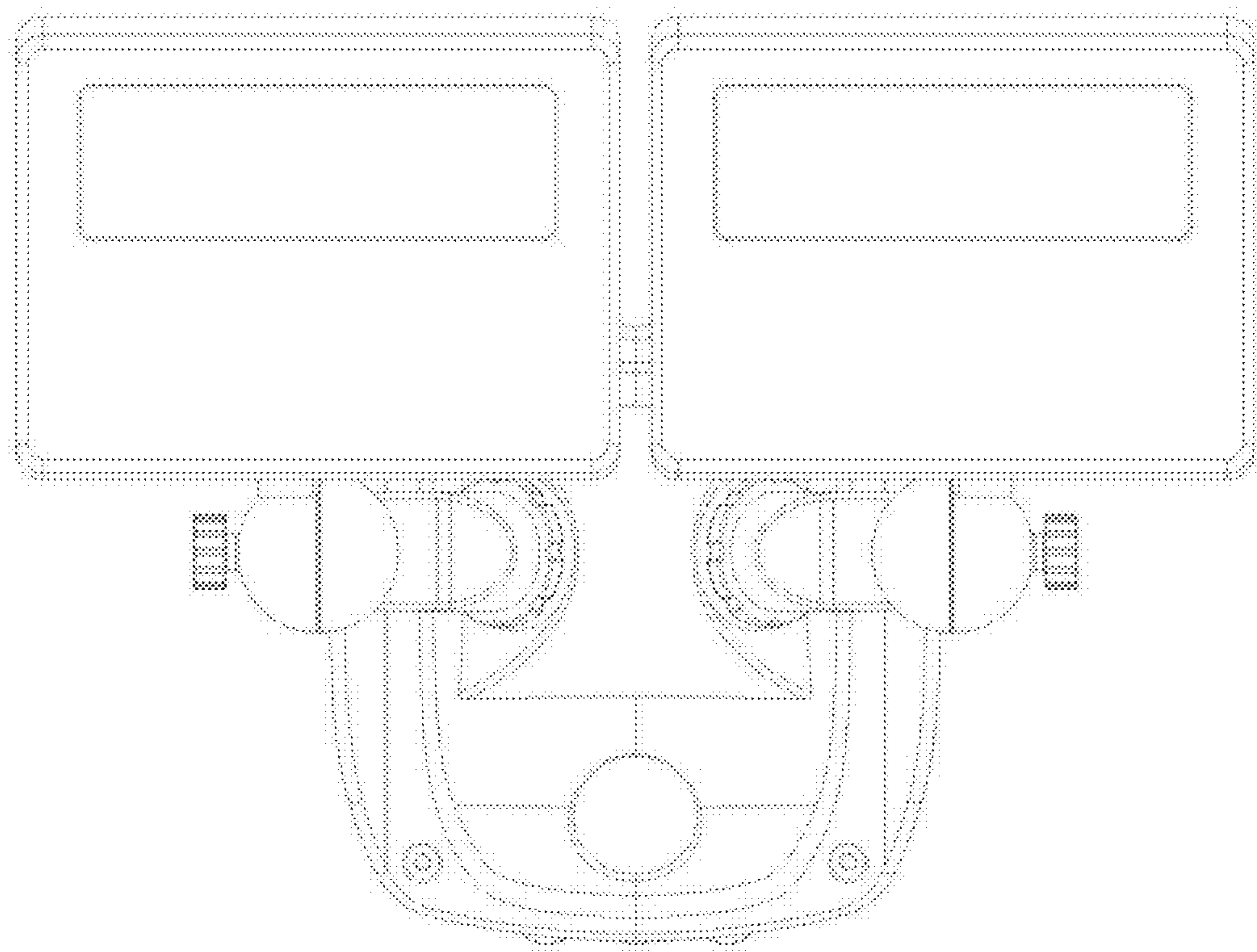


FIG.1

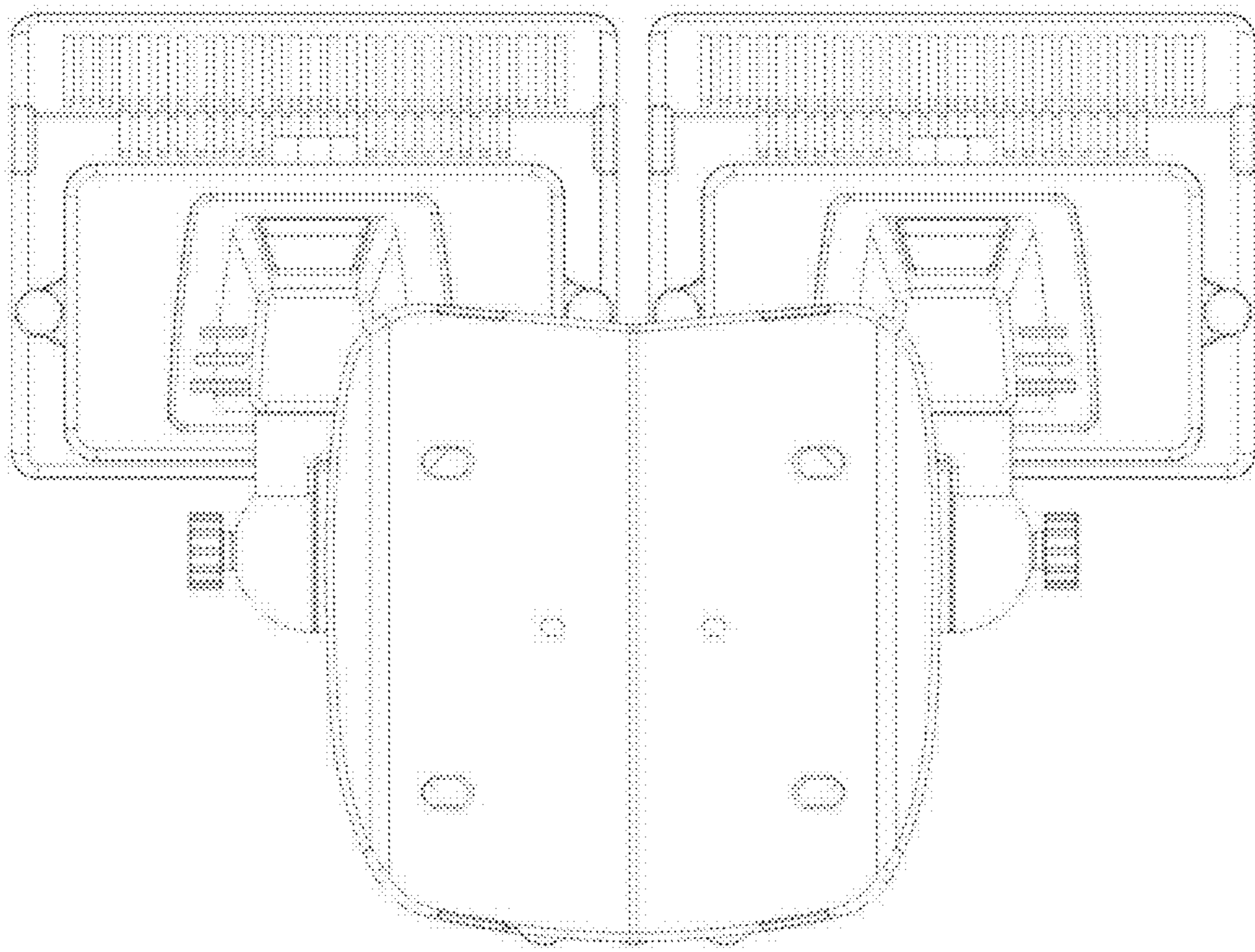


FIG.2

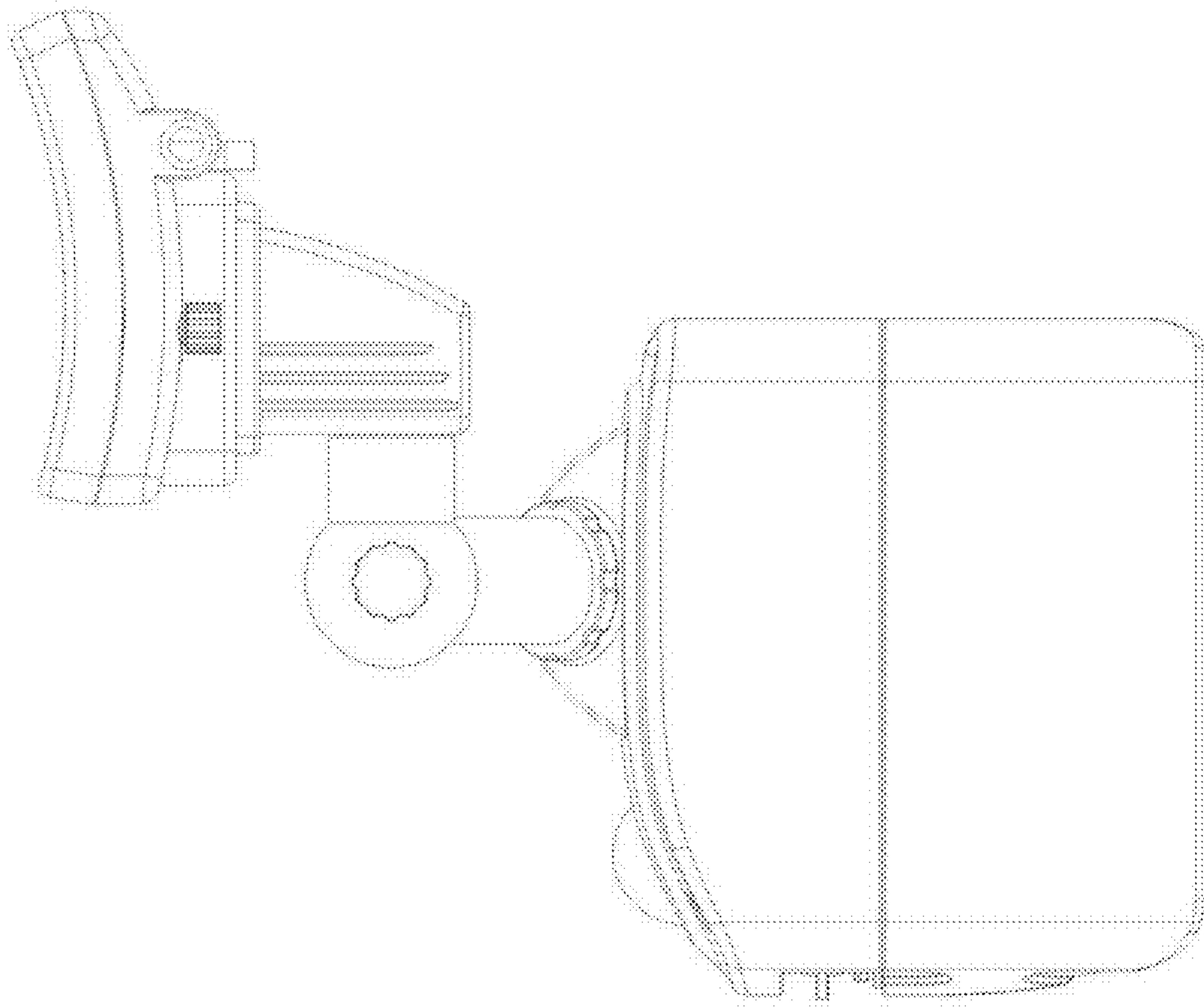


FIG.3

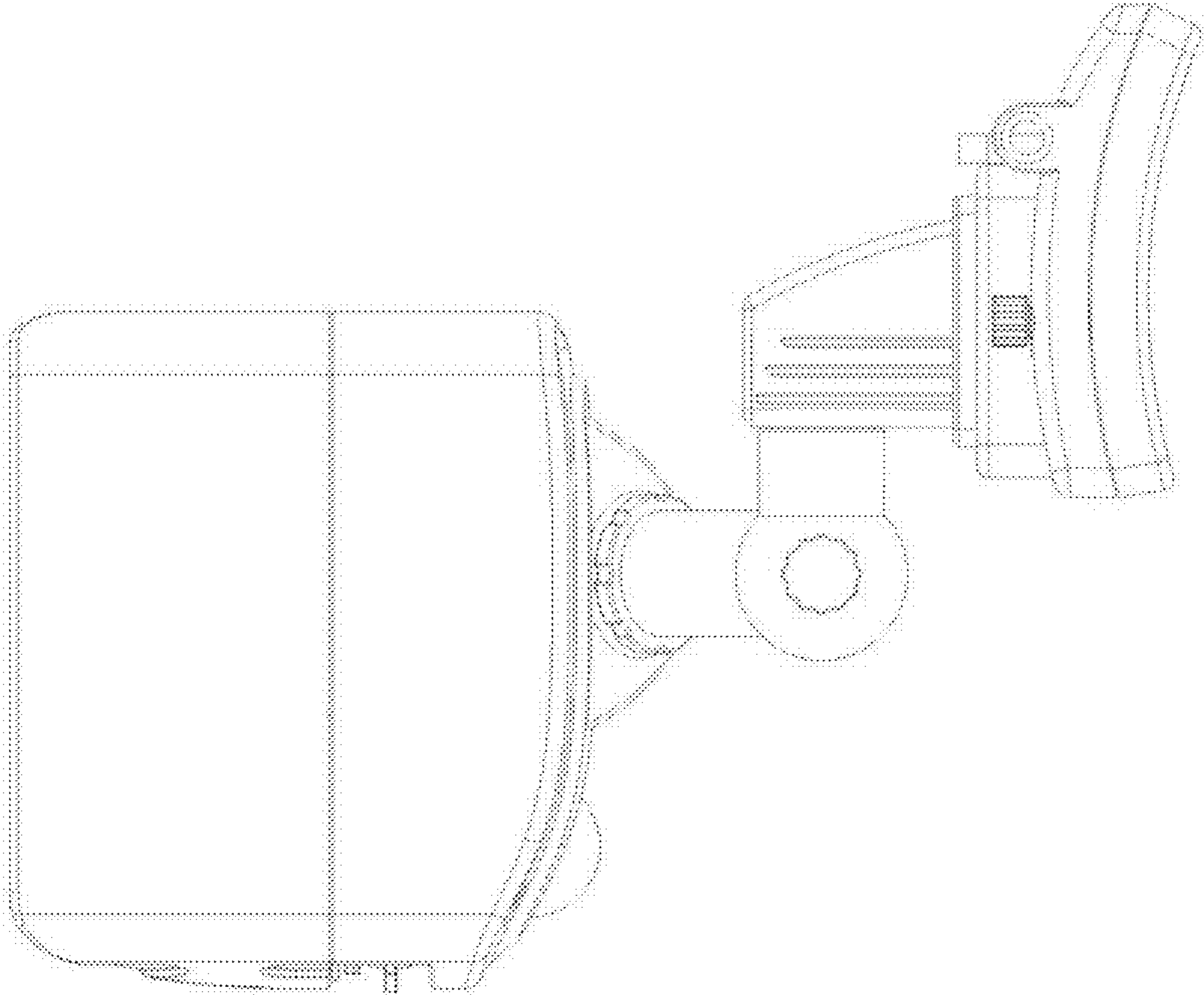


FIG.4

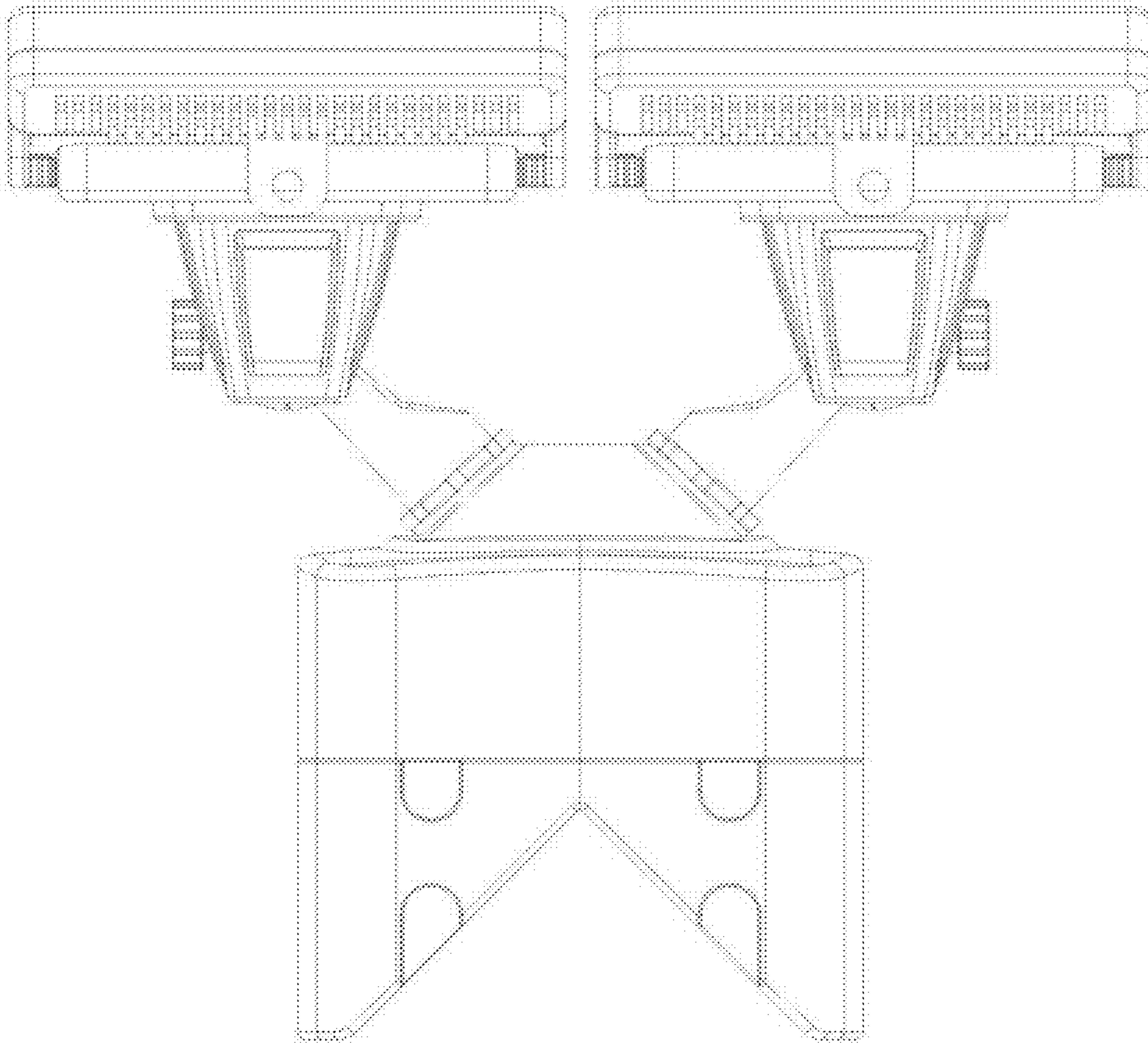


FIG.5

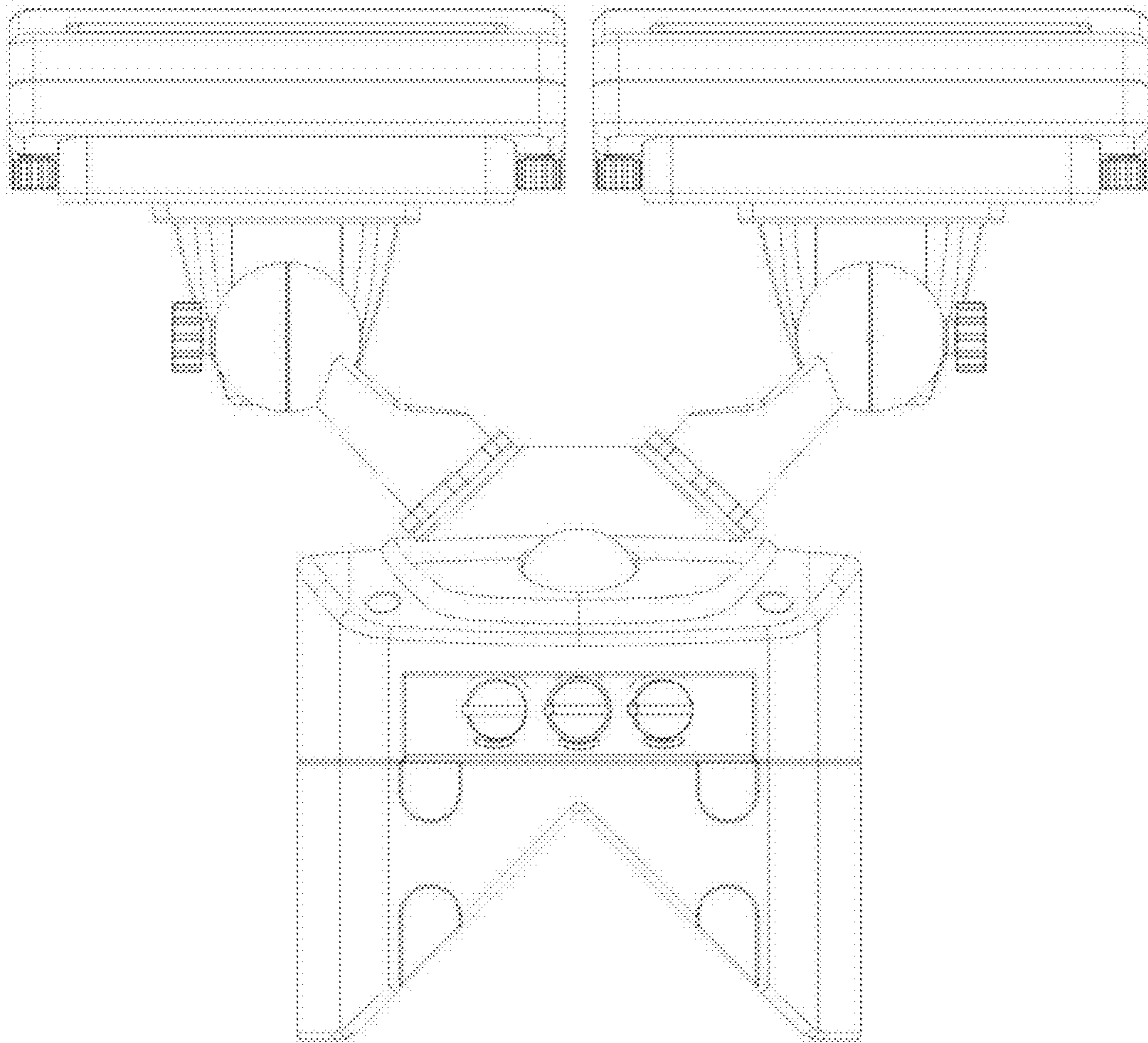


FIG.6

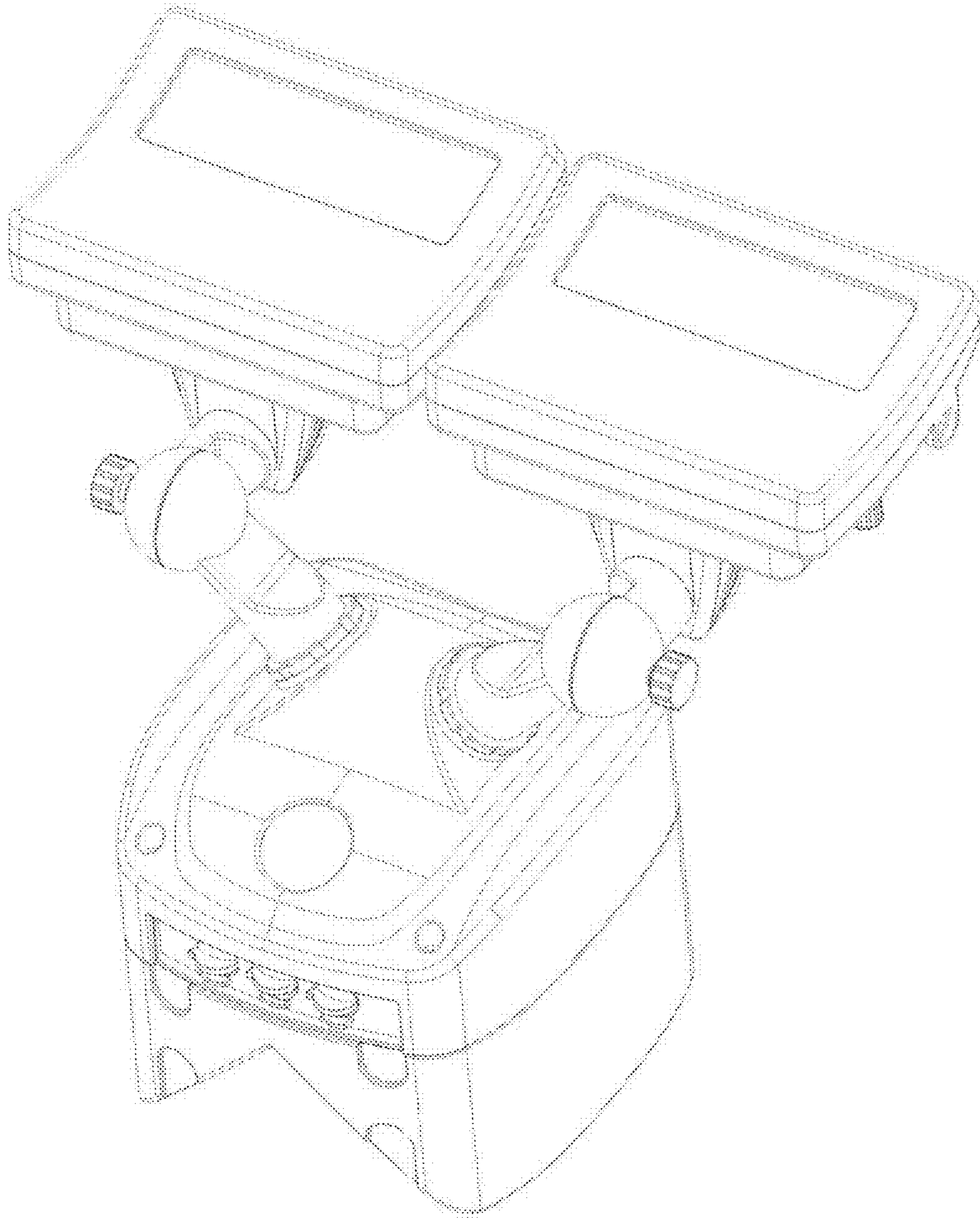


FIG. 7