



US00D769498S

(12) **United States Design Patent**  
**Liang**

(10) **Patent No.:** **US D769,498 S**

(45) **Date of Patent:** **\*\* Oct. 18, 2016**

(54) **PORTABLE SOLAR POWER LAMP**

(71) Applicant: **Qinghui Liang**, Fujian Province (CN)

(72) Inventor: **Qinghui Liang**, Fujian Province (CN)

(\*\*) Term: **15 Years**

(21) Appl. No.: **29/533,303**

(22) Filed: **Jul. 16, 2015**

(51) **LOC (10) Cl.** ..... **26-03**

(52) **U.S. Cl.**  
USPC ..... **D26/61**

(58) **Field of Classification Search**  
USPC ..... D26/1, 24, 76-78, 80, 86, 61, 63, 65  
CPC ..... F21S 8/02; F21V 14/04; F21V 23/0442;  
F21W 2131/402; F21Y 2101/02  
See application file for complete search history.

(56) **References Cited**

**U.S. PATENT DOCUMENTS**

D573,287 S \* 7/2008 Chung ..... D26/63  
D615,235 S \* 5/2010 Zheng ..... D26/63

D644,776 S \* 9/2011 Rea ..... D26/63  
D683,059 S \* 5/2013 Rea ..... D26/63  
D695,946 S \* 12/2013 Duquette ..... D26/63  
D714,481 S \* 9/2014 Moeller ..... D26/63

\* cited by examiner

*Primary Examiner* — Brian N Vinson

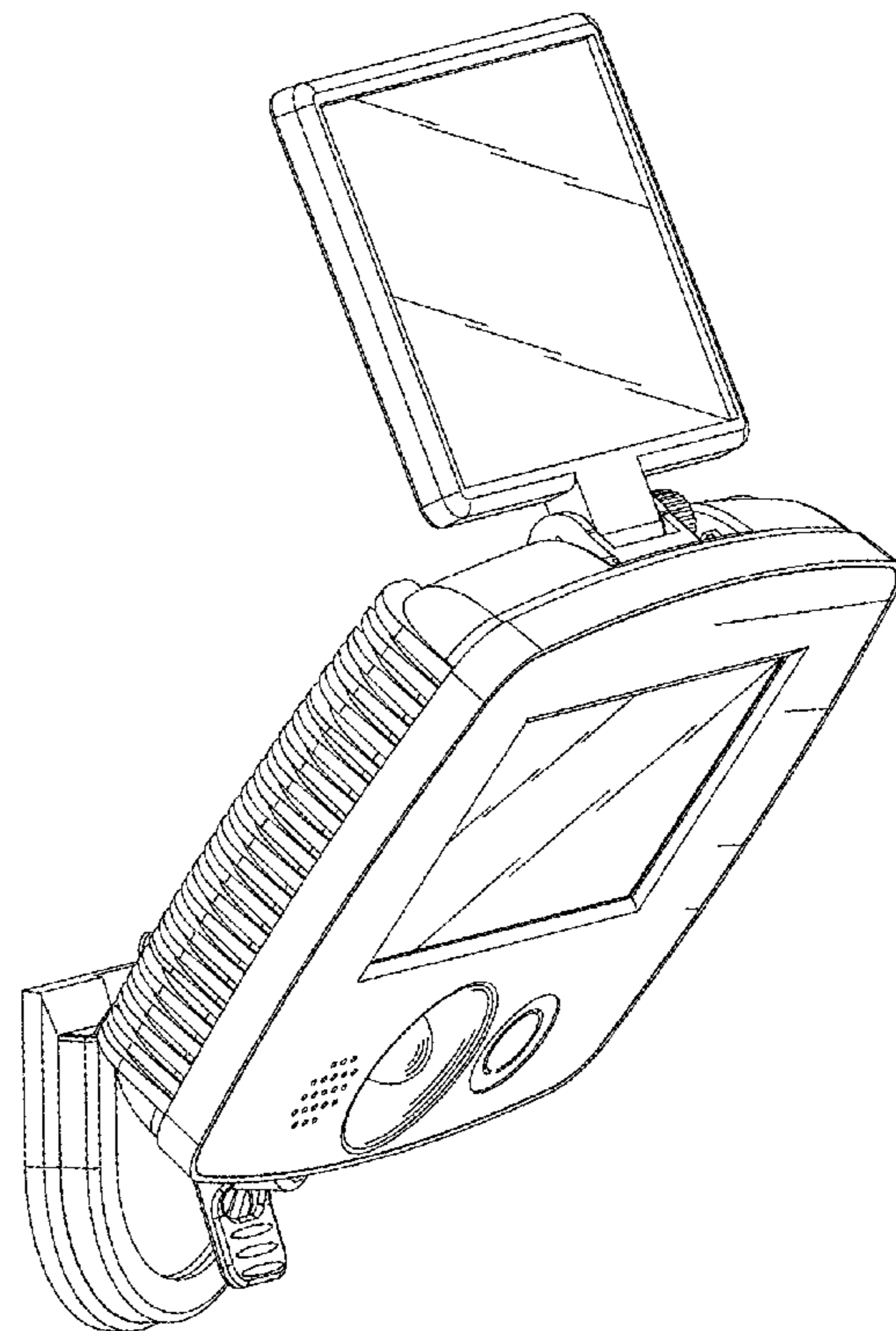
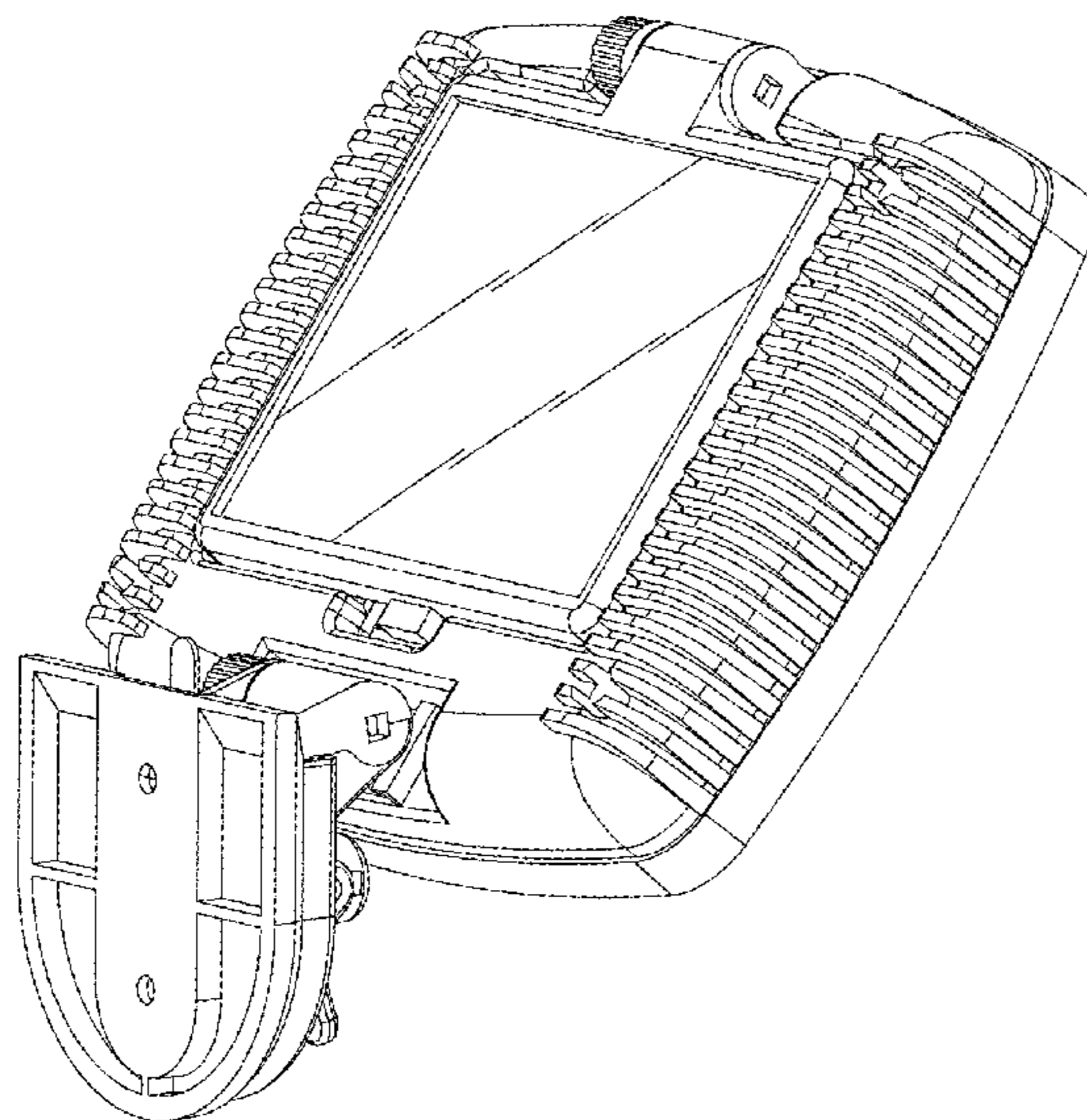
(57) **CLAIM**

The ornamental design for a portable solar power lamp, as shown and described.

**DESCRIPTION**

FIG. 1 is a front elevational view of a portable solar power lamp showing my new design;  
FIG. 2 is a rear elevational view thereof;  
FIG. 3 is a left side view thereof;  
FIG. 4 is a right side view thereof;  
FIG. 5 is a top plan view thereof;  
FIG. 6 is a bottom plan view thereof;  
FIG. 7 is a perspective view thereof;  
FIG. 8 is a perspective view thereof; and,  
FIG. 9 is a perspective view thereof in a state of use.

**1 Claim, 5 Drawing Sheets**



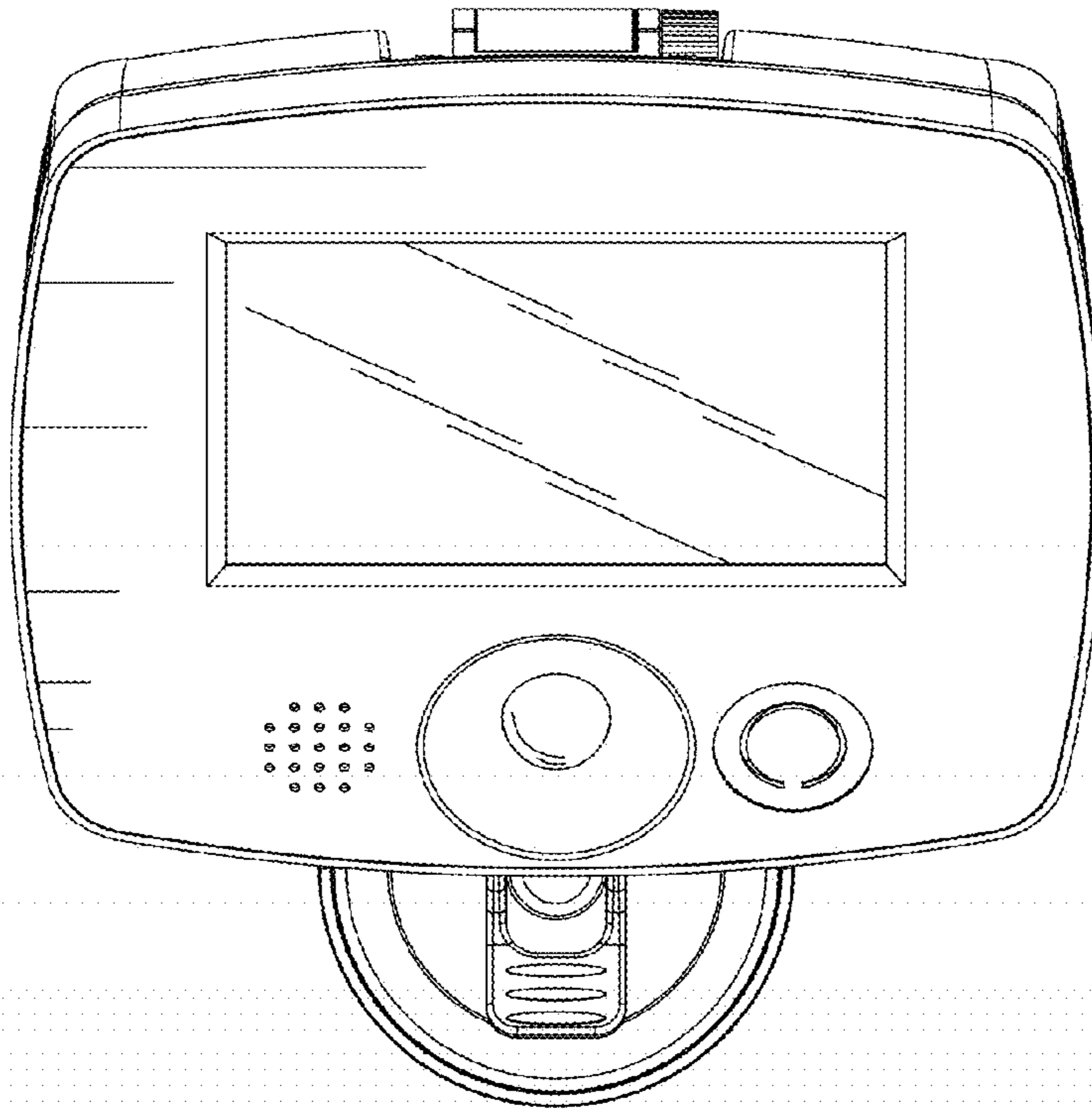


FIG. 1

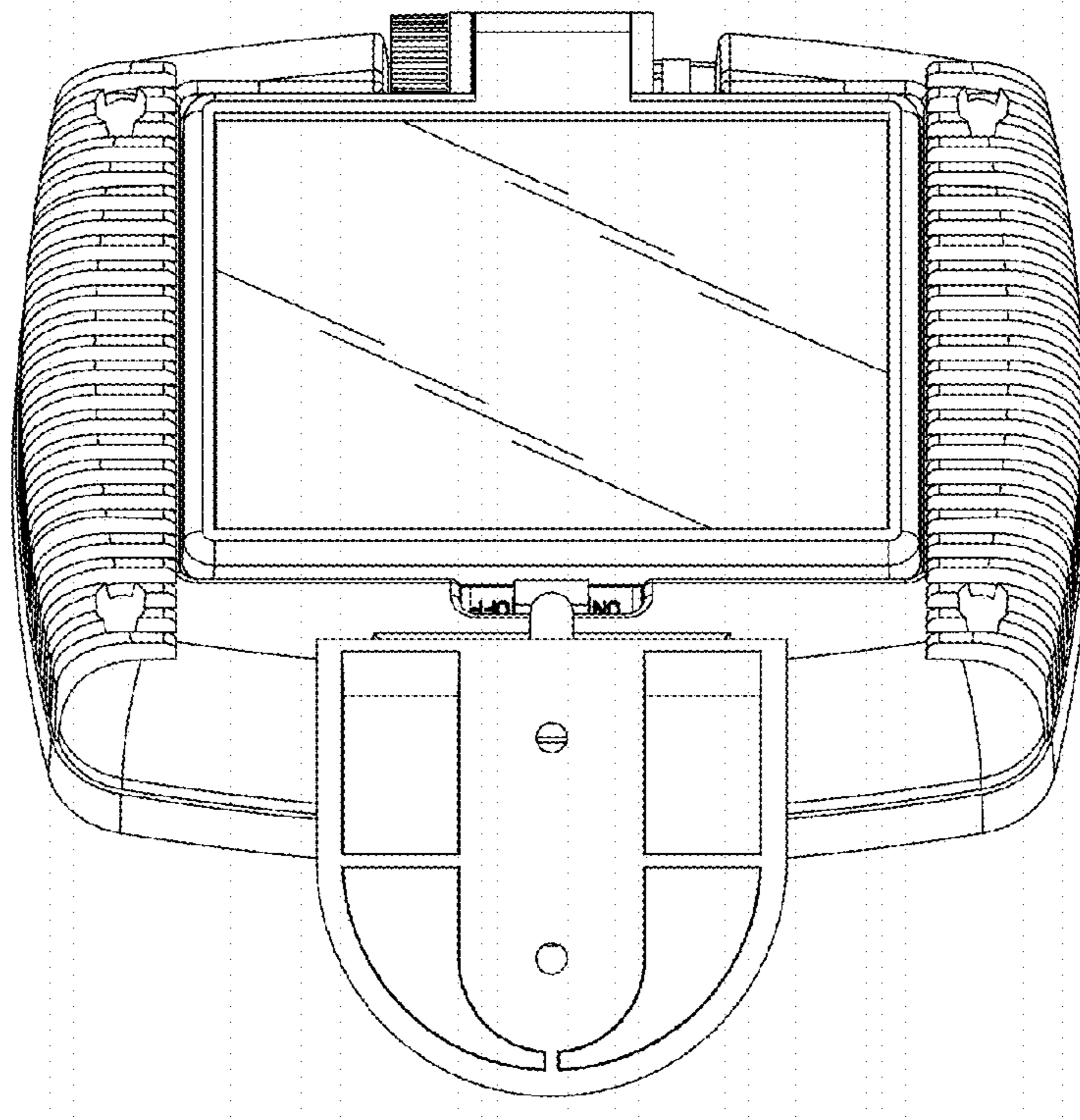


FIG. 2

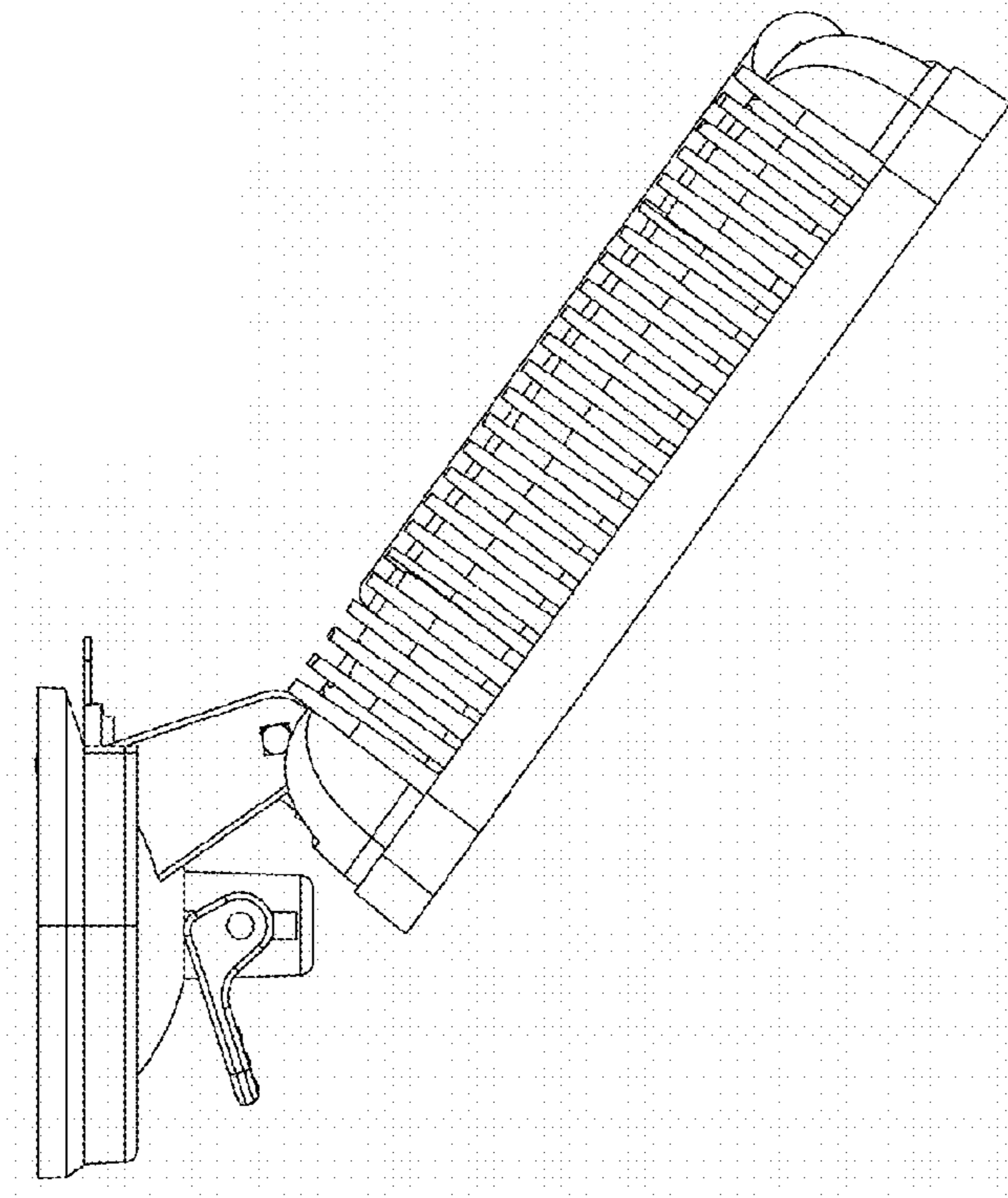


FIG. 3

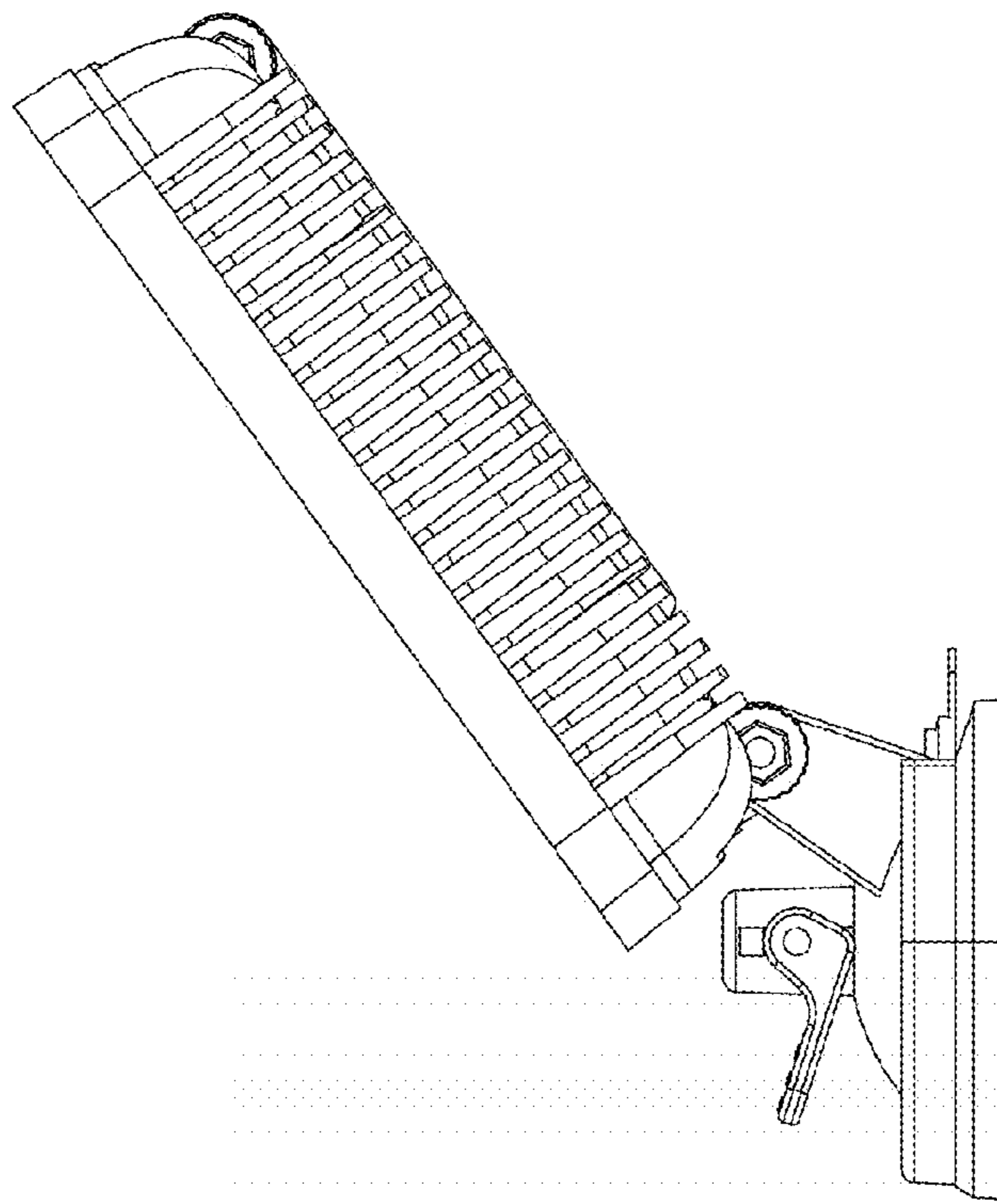


FIG. 4

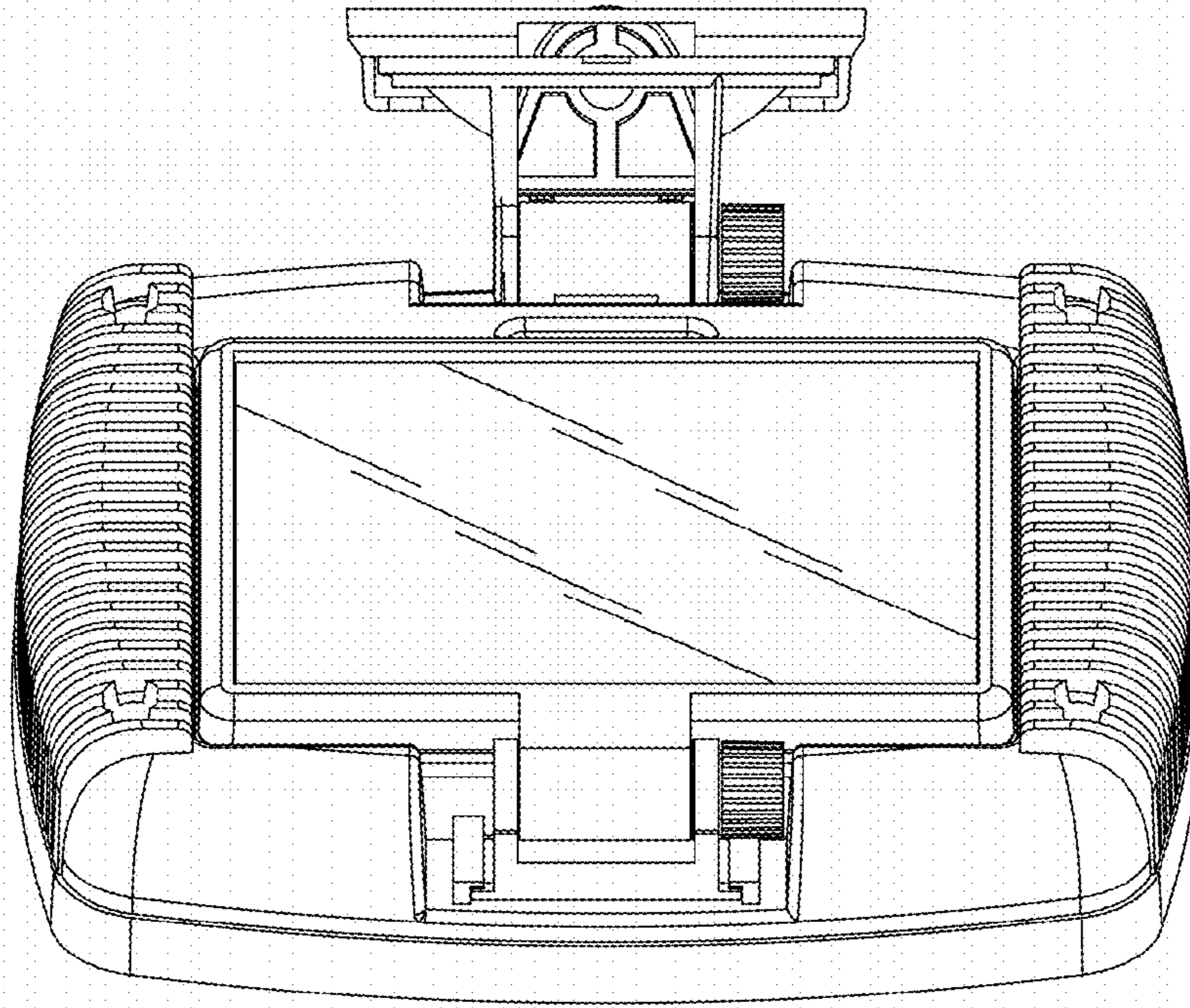


FIG. 5

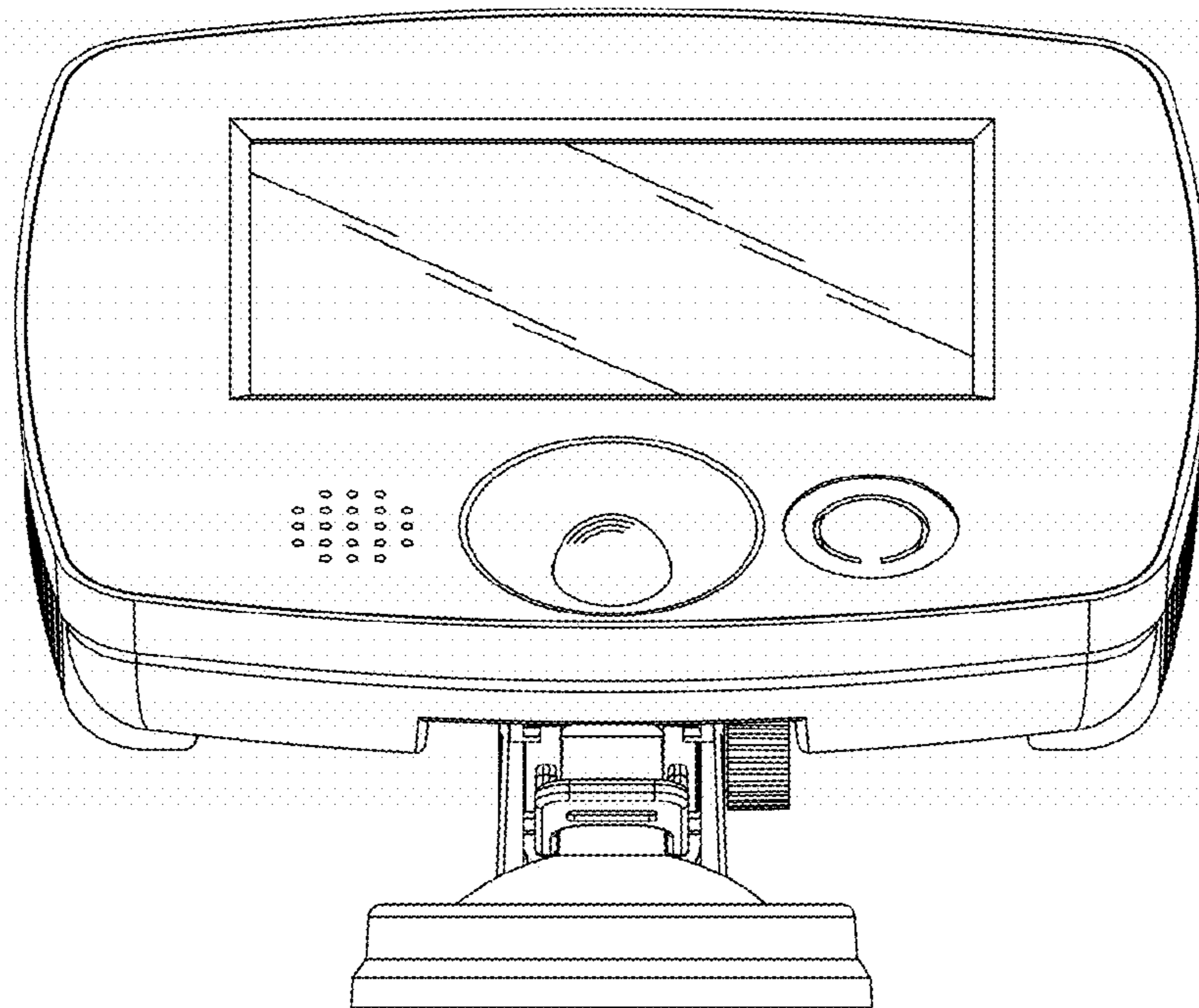


FIG. 6

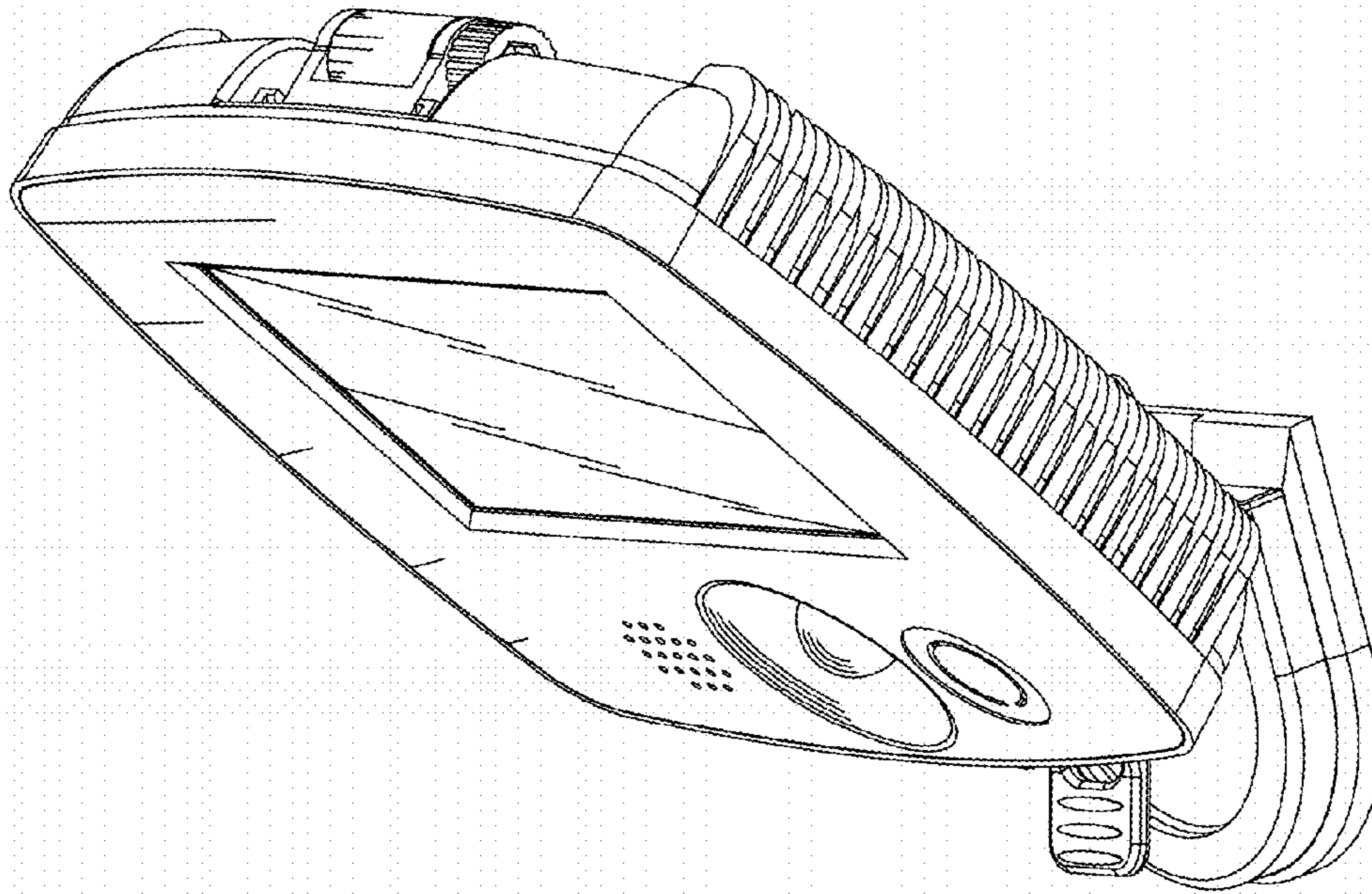


FIG. 7

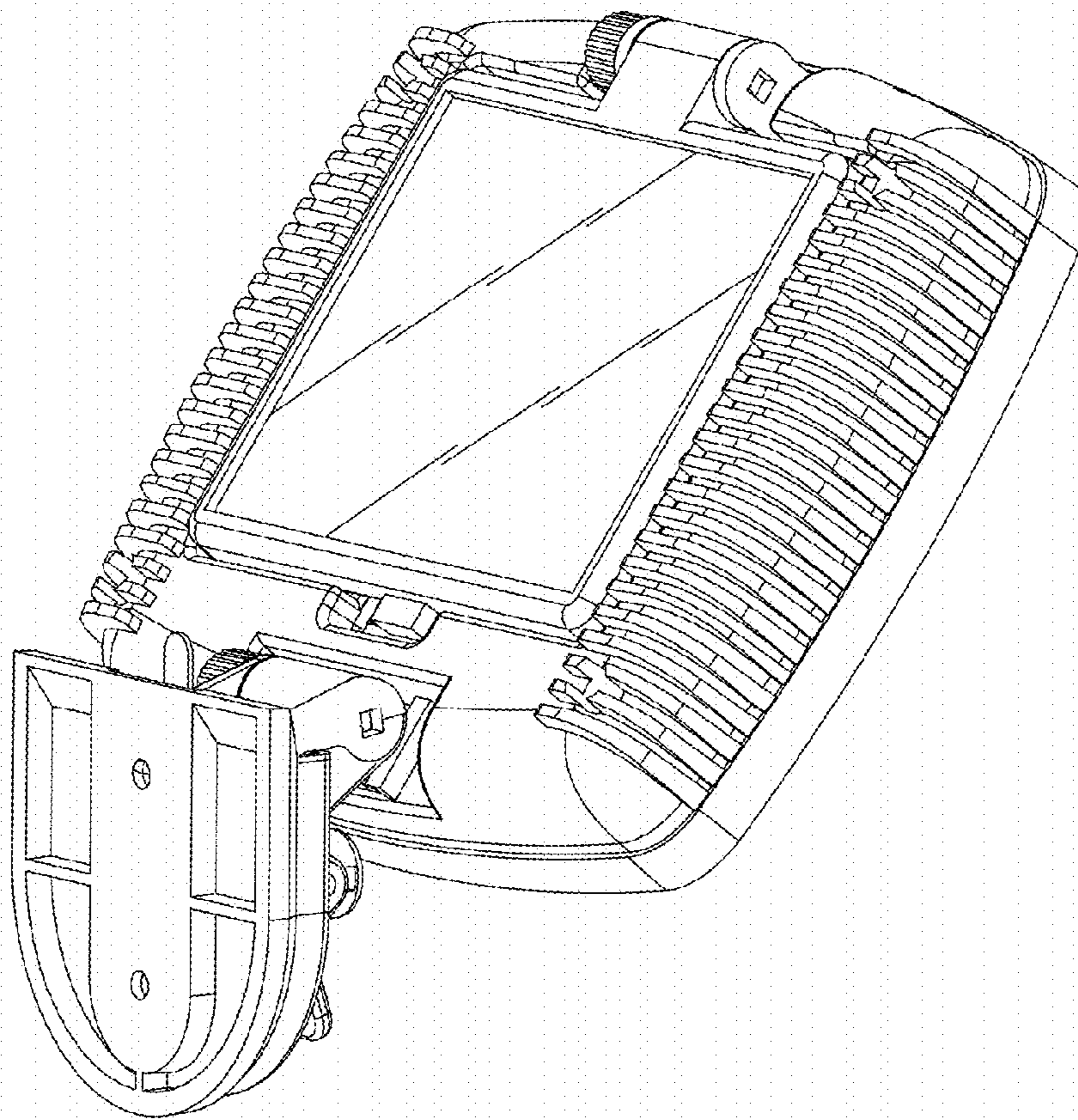


FIG. 8

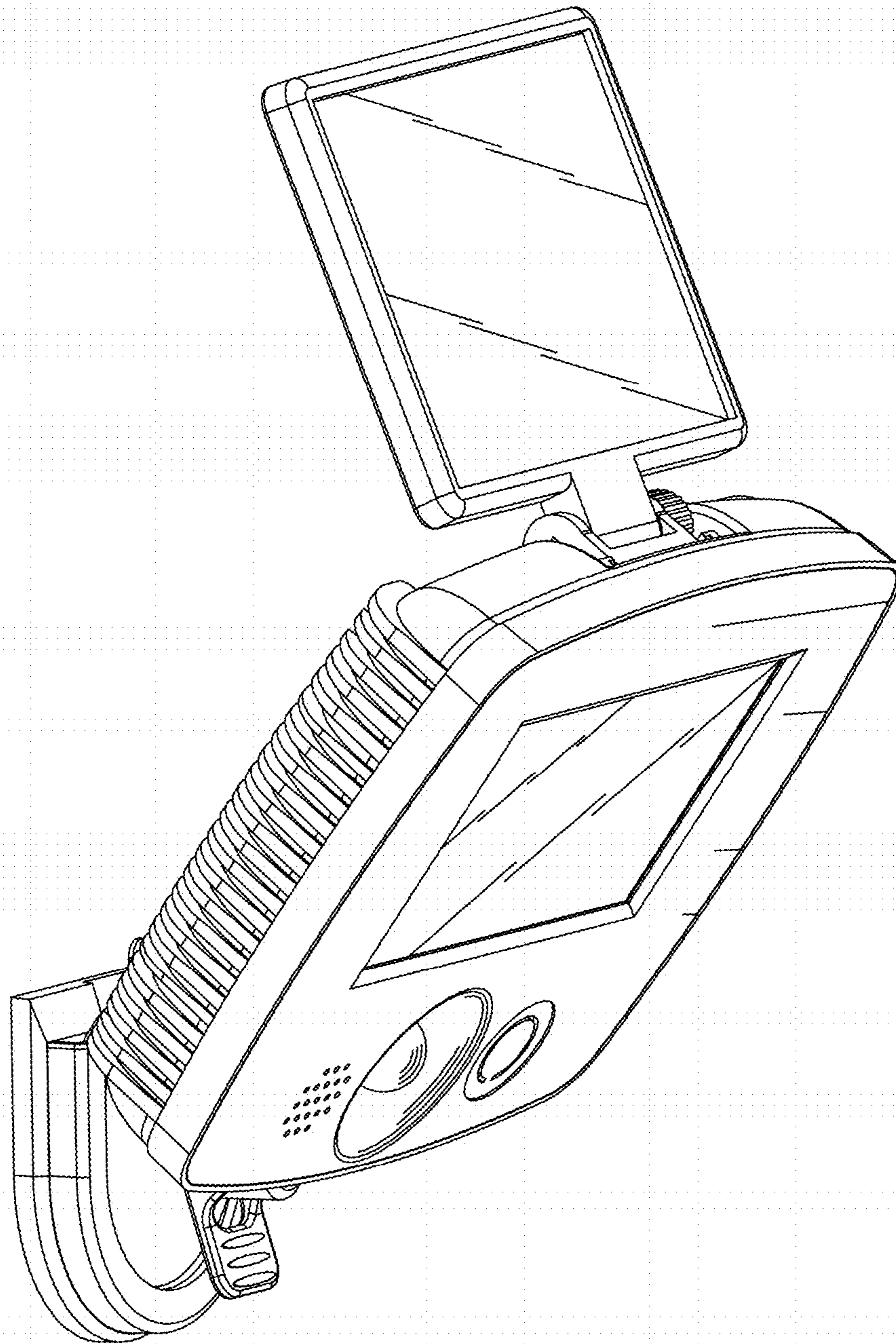


FIG. 9