

US00D769497S

(12) **United States Design Patent**
Kovacik et al.

(10) **Patent No.:** **US D769,497 S**
(45) **Date of Patent:** **** Oct. 18, 2016**

(54) **MULTI-DIRECTIONAL FLASHLIGHT**

(71) Applicant: **Alert Stamping & Manufacturing Co., Inc.**, Bedford Heights, OH (US)

(72) Inventors: **James D. Kovacik**, Brecksville, OH (US); **Paul S. Blanch**, Broadview Heights, OH (US)

(73) Assignee: **Alert Stamping & Manufacturing Co., Inc.**, Bedford Heights, OH (US)

(**) Term: **14 Years**

(21) Appl. No.: **29/498,745**

(22) Filed: **Aug. 7, 2014**

(51) **LOC (10) Cl.** **26-02**

(52) **U.S. Cl.**
USPC **D26/50**

(58) **Field of Classification Search**
USPC D26/37, 38, 39, 46, 44, 45, 49, 50, 51;
362/157, 158, 183, 184, 194-196,
362/202-208, 253
CPC F21V 33/00; F21V 14/025; F21V 21/406;
F21Y 2101/02; F21L 17/00; F21L 13/08
See application file for complete search history.

(56) **References Cited**

U.S. PATENT DOCUMENTS

- 5,762,029 A * 6/1998 DuBois A01K 27/004
119/796
- 5,983,836 A 11/1999 Chavez
- 6,003,472 A 12/1999 Matt et al.
- 6,024,054 A 2/2000 Matt et al.
- D428,176 S * 7/2000 Bamber D26/46

- D553,307 S * 10/2007 Ko D30/152
- D567,417 S * 4/2008 Wu D26/37
- D574,980 S * 8/2008 Mattheis D26/37
- D574,981 S * 8/2008 Mattheis D26/37
- D595,882 S * 7/2009 Dupps D26/38
- D608,921 S * 1/2010 DeBrunner D26/41
- 7,819,088 B2 10/2010 Stern
- D634,461 S * 3/2011 Mattheis D26/38
- D658,775 S * 5/2012 Jiangminhui D24/206
- 8,182,108 B2 5/2012 Pearson
- 8,201,964 B2 6/2012 Mattheis
- 8,393,302 B1 3/2013 Blakemore
- D693,039 S * 11/2013 Poon D26/37
- 8,573,160 B1 11/2013 Knight

* cited by examiner

Primary Examiner — Ian Simmons

Assistant Examiner — Carissa C Fitts

(74) *Attorney, Agent, or Firm* — Fraser Clemens Martin & Miler LLC; William J. Clemens

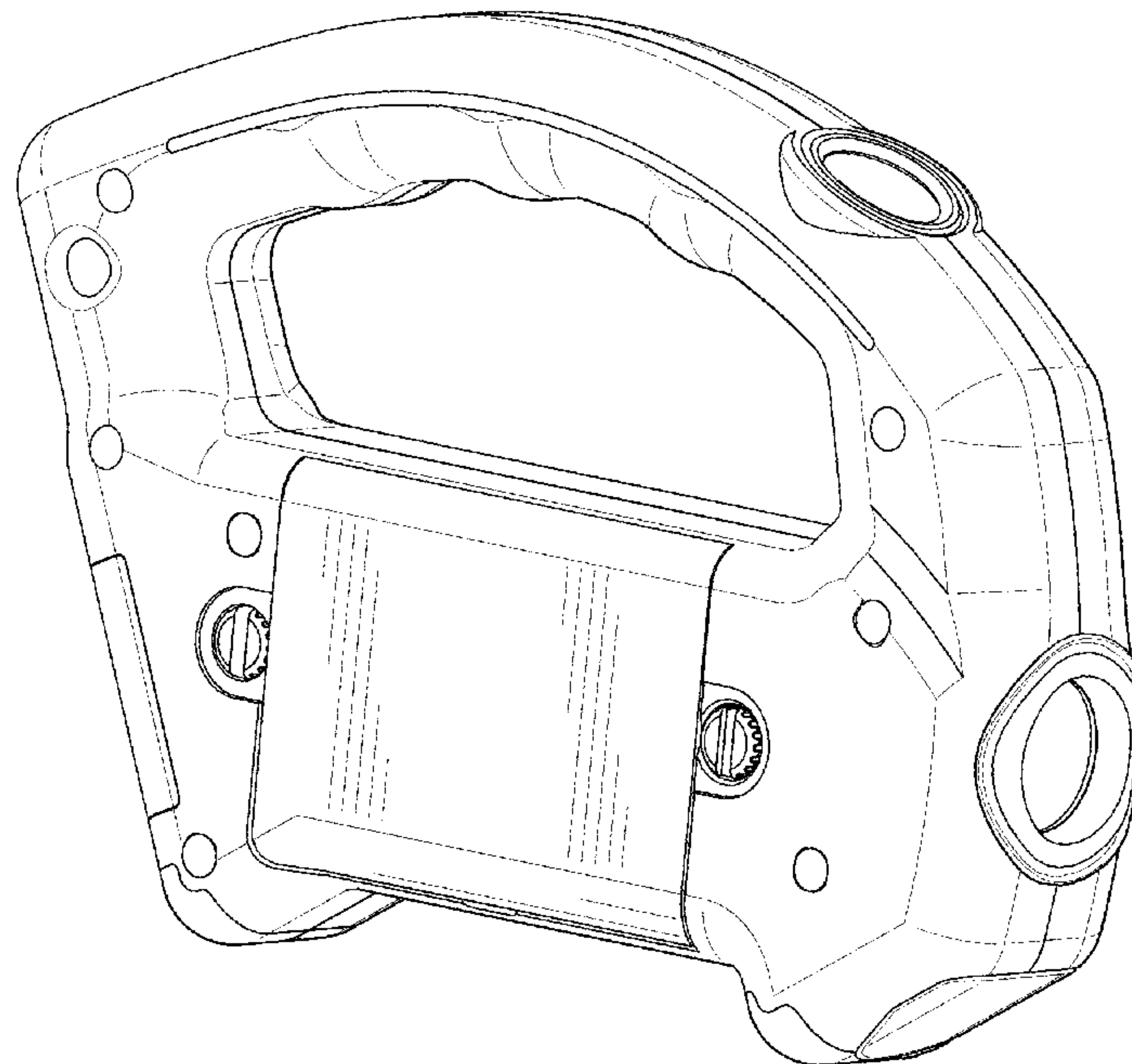
(57) **CLAIM**

The ornamental design for a multi-directional flashlight, as shown and described.

DESCRIPTION

FIG. 1 is a front perspective view of a multi-directional flashlight showing our new design; FIG. 2 is a front elevation view thereof; FIG. 3 is a rear elevation view thereof; FIG. 4 is a top plan view thereof; FIG. 5 is a bottom plan view thereof; FIG. 6 is a right side elevation view thereof; and, FIG. 7 is a left side elevation view thereof. The broken line showing represents unclaimed portions of the article and forms no part of the claimed design.

1 Claim, 5 Drawing Sheets



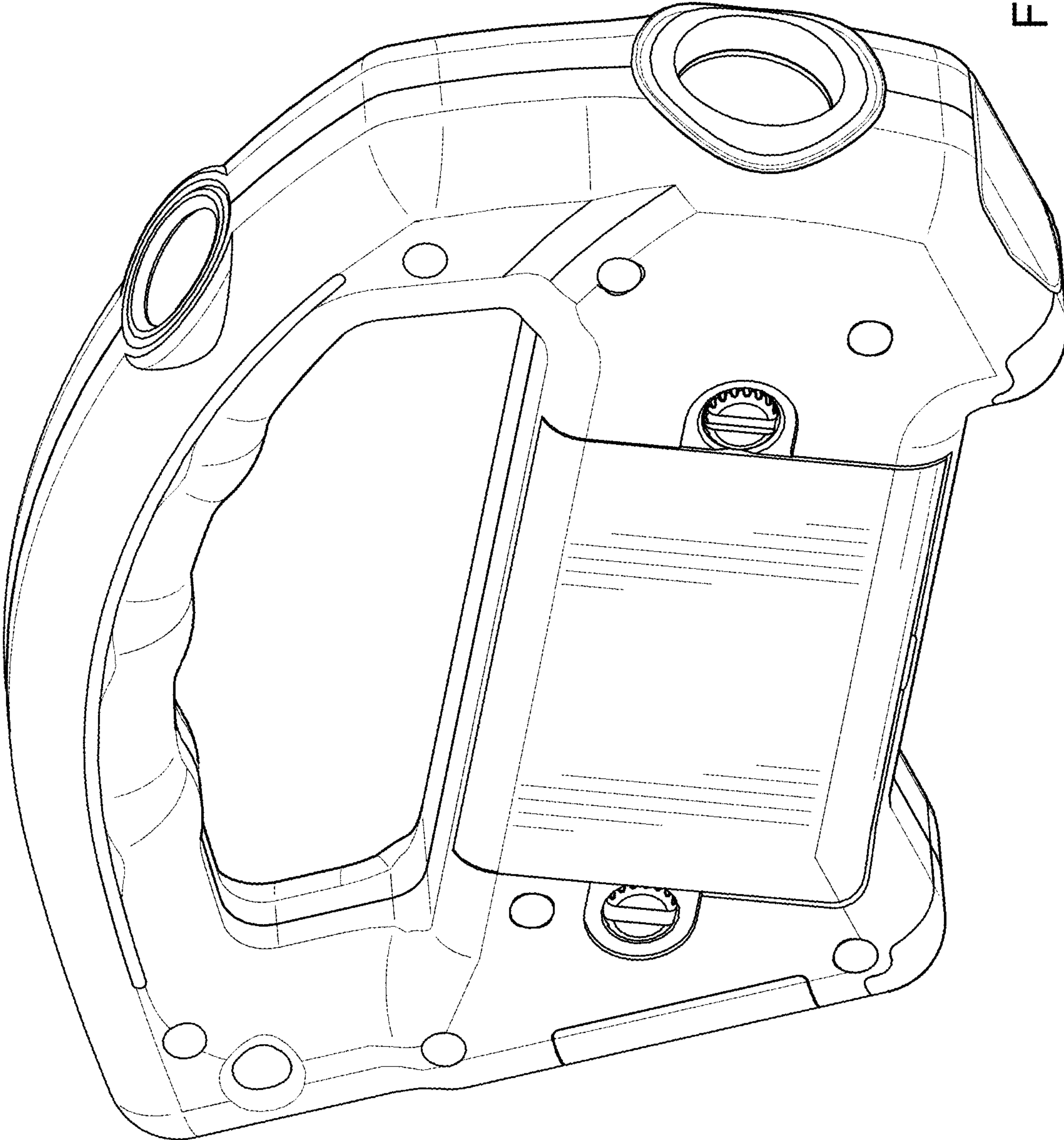


FIG. 1

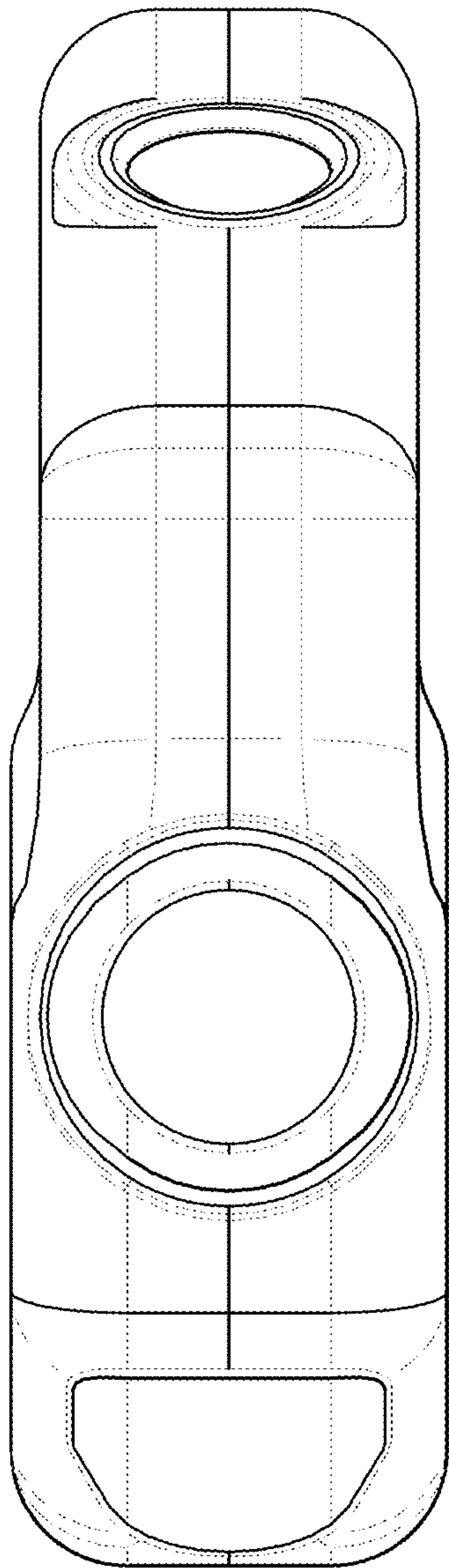


FIG. 2

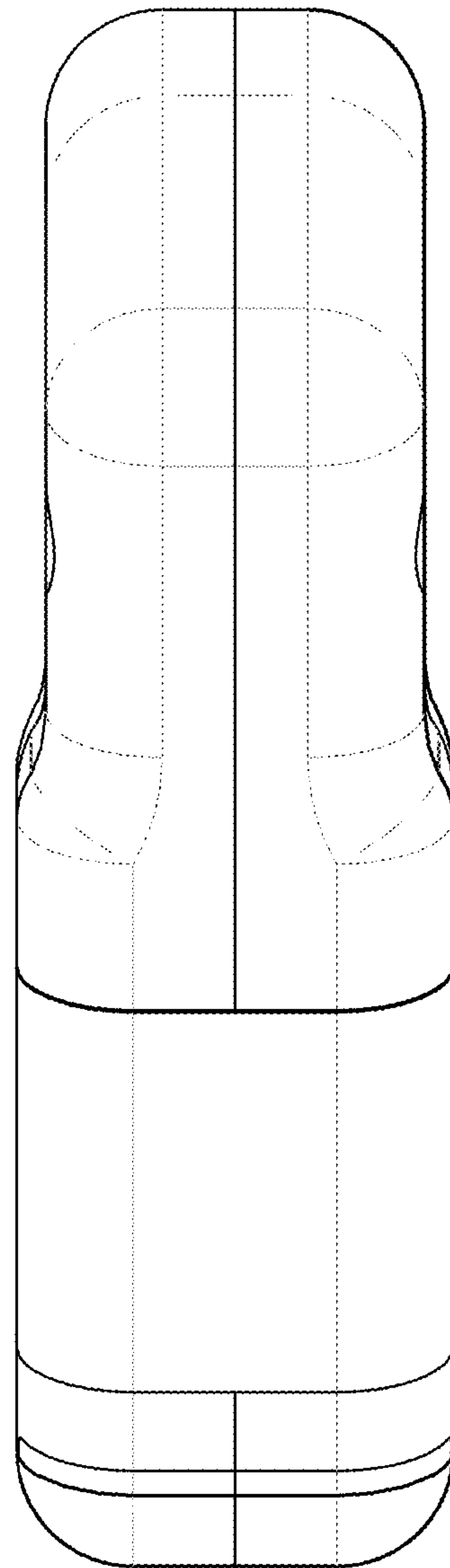


FIG. 3

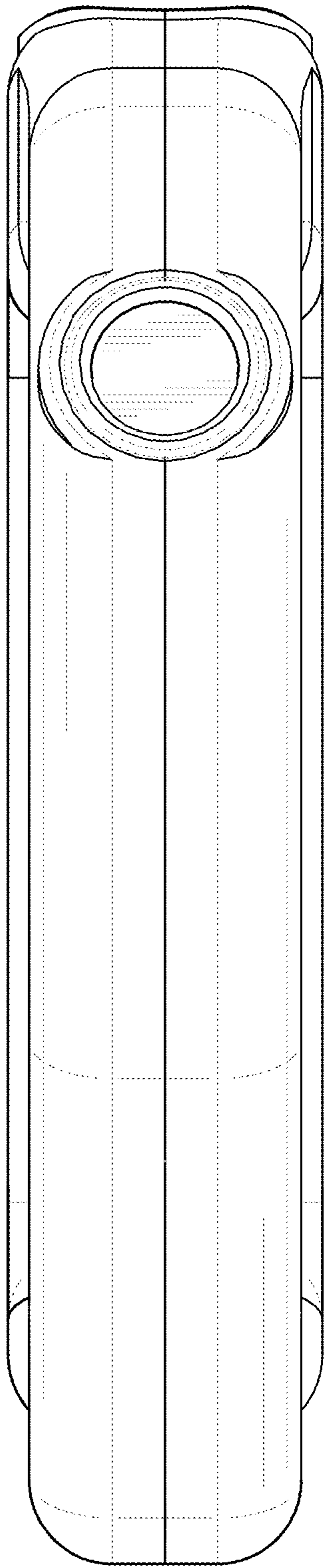


FIG. 4

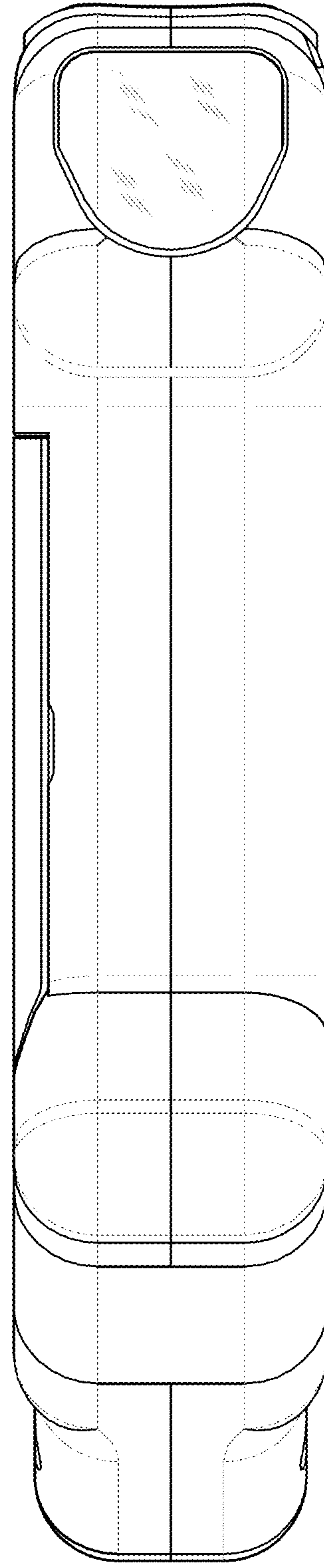


FIG. 5

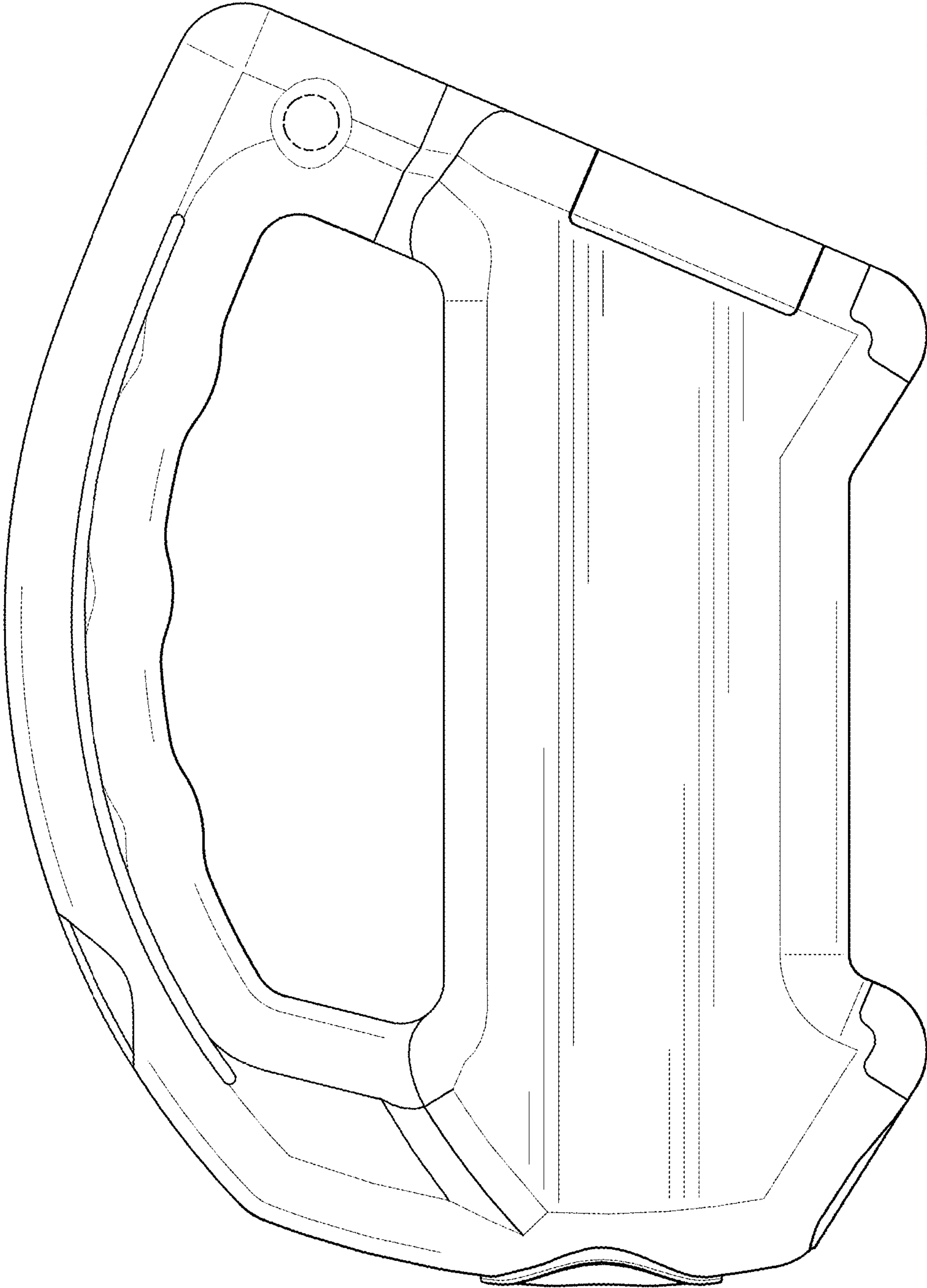


FIG. 6

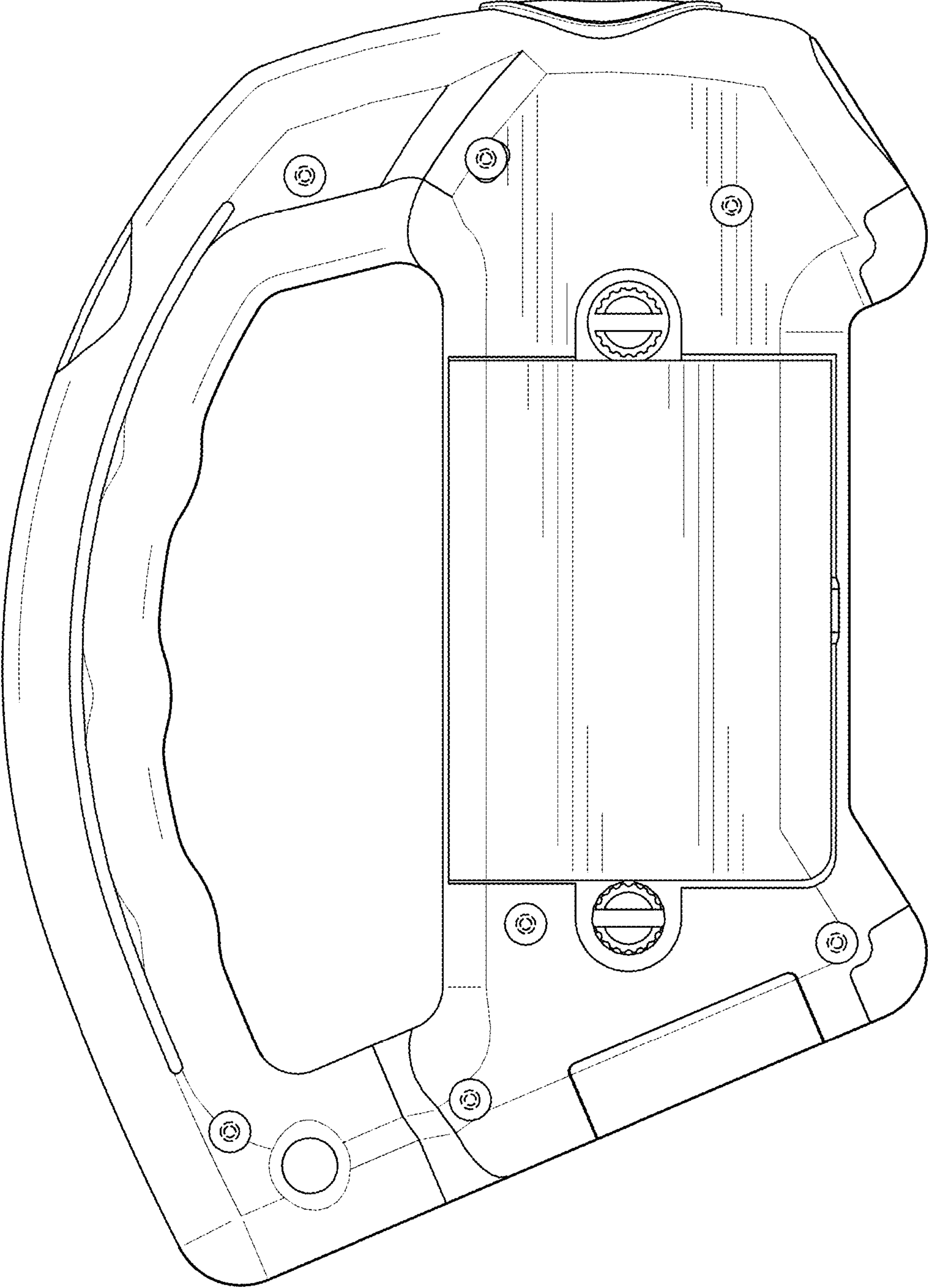


FIG. 7