

US00D769496S

(12) **United States Design Patent** (10) **Patent No.:** **US D769,496 S**
Inskeep (45) **Date of Patent:** **** Oct. 18, 2016**

(54) **FLASHLIGHT**
 (71) Applicant: **Mathew Inskeep**, Highland Beach, FL
 (US)
 (72) Inventor: **Mathew Inskeep**, Highland Beach, FL
 (US)
 (**) Term: **15 Years**

D709,231 S *	7/2014	Nguyen	D26/49
D709,232 S *	7/2014	Inskeep	D26/49
D709,233 S *	7/2014	Inskeep	D26/49
D709,234 S *	7/2014	Inskeep	D26/49
D716,984 S *	11/2014	Inskeep	D26/49
D719,694 S *	12/2014	Nawaz	D22/117
D724,247 S *	3/2015	Chouprinov	D22/117
D745,200 S *	12/2015	Inskeep	D26/49
D745,732 S *	12/2015	Inskeep	D26/49
D745,987 S *	12/2015	Nawaz	D22/117
D748,309 S *	1/2016	Cheng	D22/117
D751,742 S *	3/2016	Windom	D26/49

(21) Appl. No.: **29/545,244**

* cited by examiner

(22) Filed: **Nov. 11, 2015**

Primary Examiner — Lakiya Rogers

(51) **LOC (10) Cl.** **26-02**

Assistant Examiner — Carissa C Fitts

(52) **U.S. Cl.**
USPC **D26/49**

(58) **Field of Classification Search**
 USPC D26/37, 38, 40, 46, 49, 51; 362/157,
 362/158, 183, 184, 194–196, 200–208, 253
 CPC F21L 2003/00; F21L 4/00; F21L 4/005;
 F21L 4/02; F21L 4/025; F21L 4/027; F21L
 4/04; F21L 4/08; F21L 2005/00; F21L 7/00;
 F21L 11/00; F21L 13/00; F21L 13/04;
 F21L 13/08; F21L 14/02; F21L 17/00;
 F21L 19/00

See application file for complete search history.

(56) **References Cited**

U.S. PATENT DOCUMENTS

D366,338 S *	1/1996	Garrity	D26/49
D502,277 S *	2/2005	Chen	D26/49
D564,116 S *	3/2008	Linardos	D26/49
D671,249 S *	11/2012	Sheikh	D26/38
D674,943 S *	1/2013	Sheikh	D22/117
D688,402 S *	8/2013	Roshak	D26/49
D698,961 S *	2/2014	Dalton	D26/49

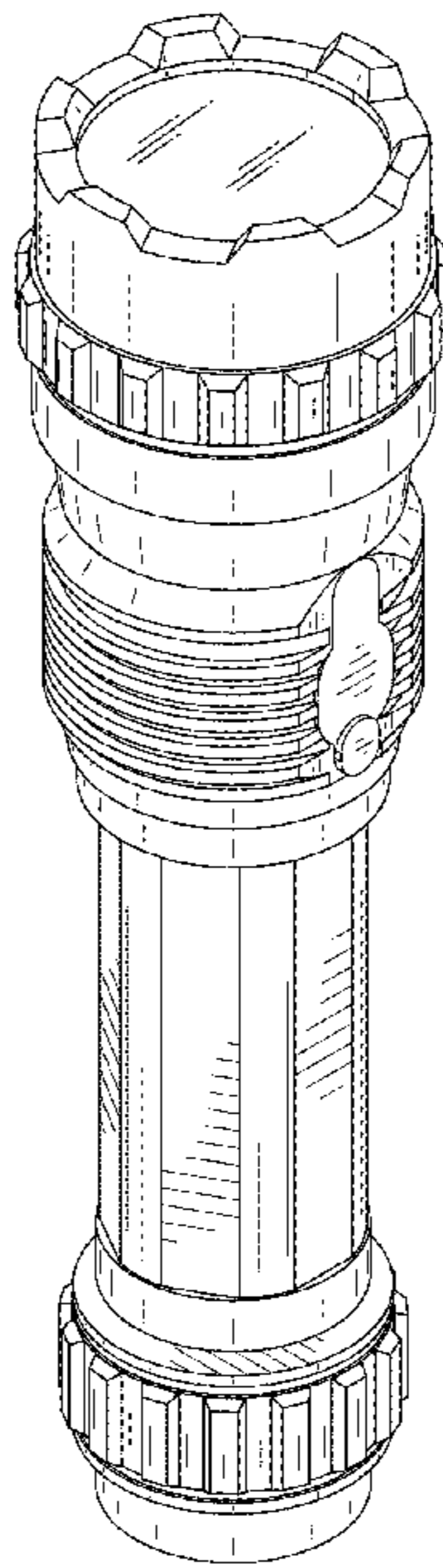
(57) **CLAIM**

I claim the ornamental design for a flashlight, as shown and described.

DESCRIPTION

FIG. 1 is a top perspective view of the flashlight showing my new design.
 FIG. 2 is a bottom perspective view thereof.
 FIG. 3 is a top view thereof.
 FIG. 4 is a bottom view thereof.
 FIG. 5 is a left side view thereof with open charging port exposed.
 FIG. 6 is a right side view thereof.
 FIG. 7 is a front view thereof.
 FIG. 8 is a back view thereof; and,
 FIG. 9 is a perspective view thereof with open charging port exposed.
 The stipple shading and the straight line shading illustrate a contrasting appearance.

1 Claim, 5 Drawing Sheets



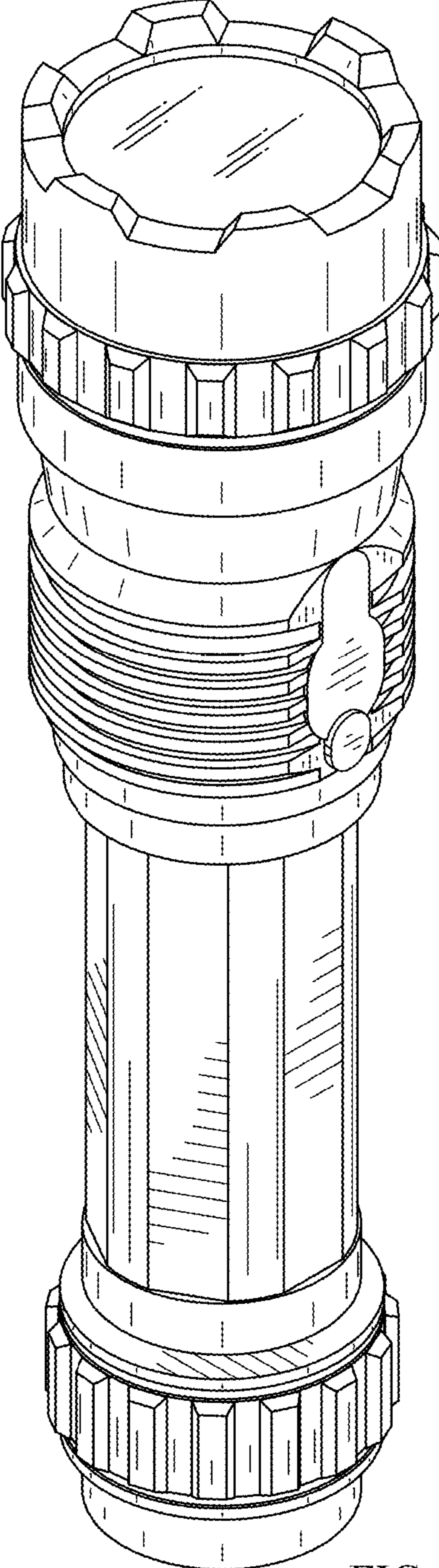


FIG. 1

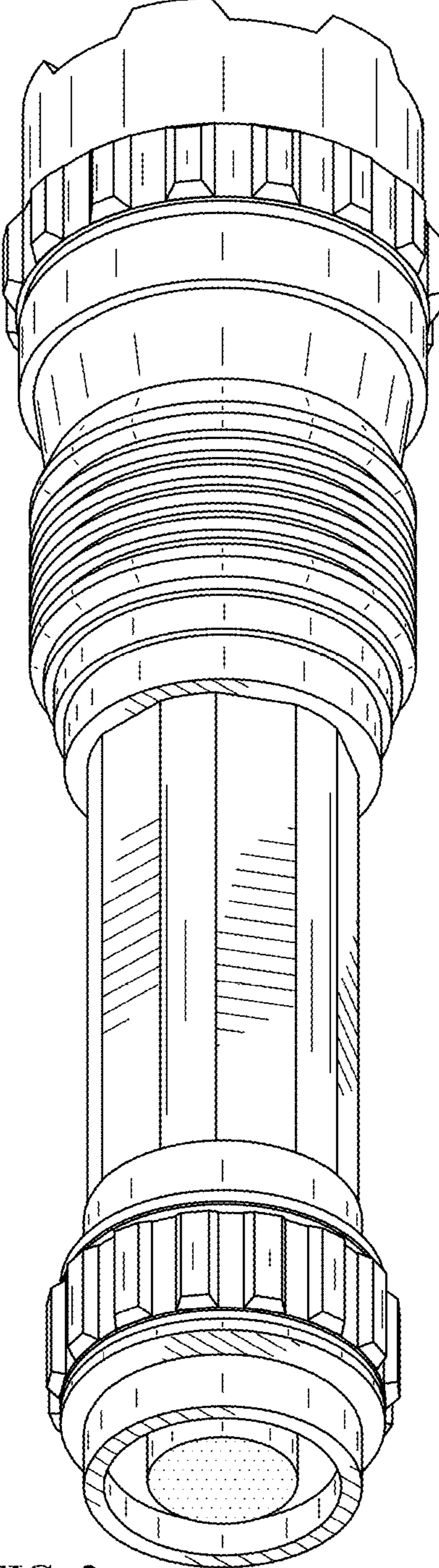


FIG. 2

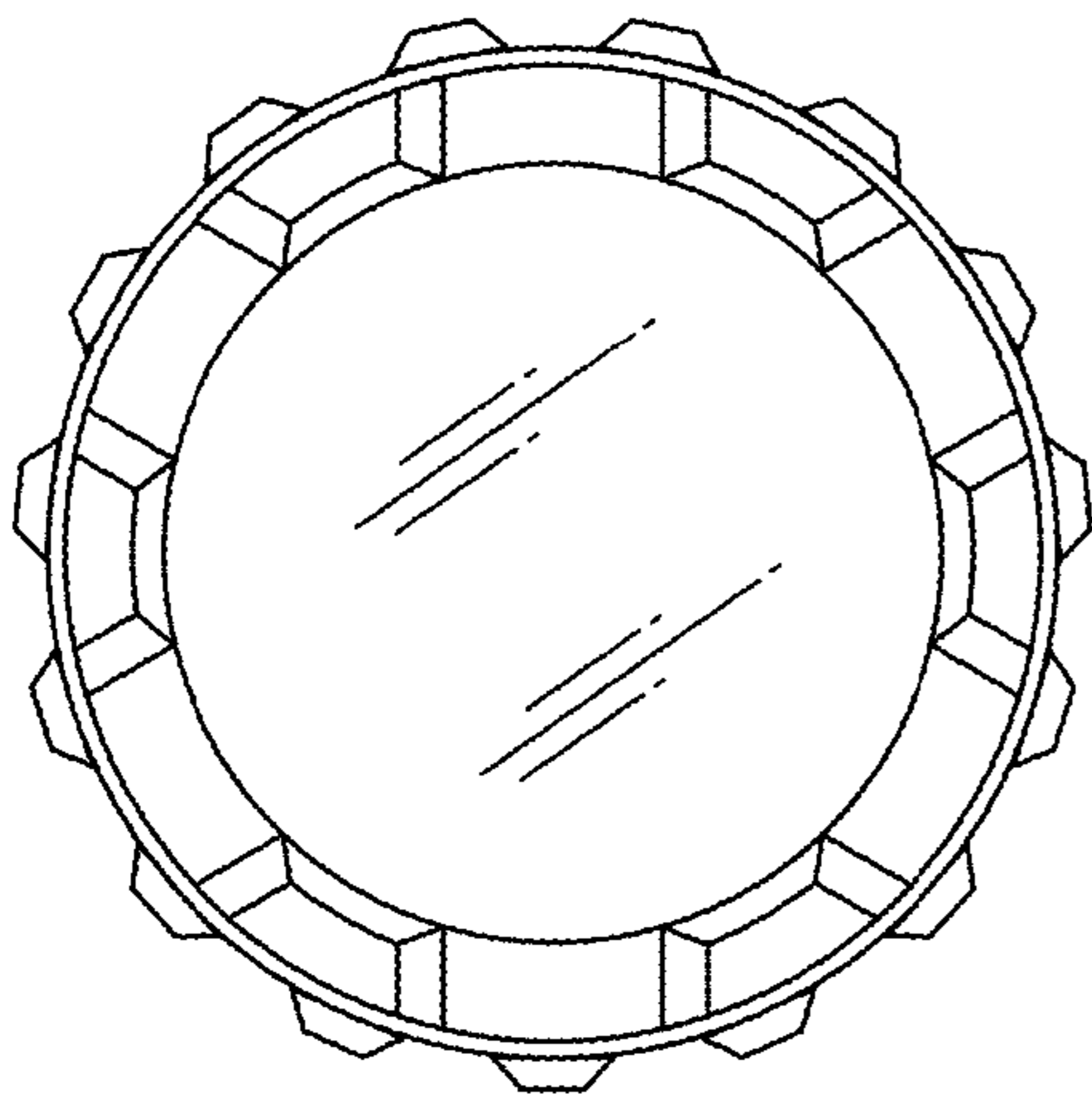


FIG. 3

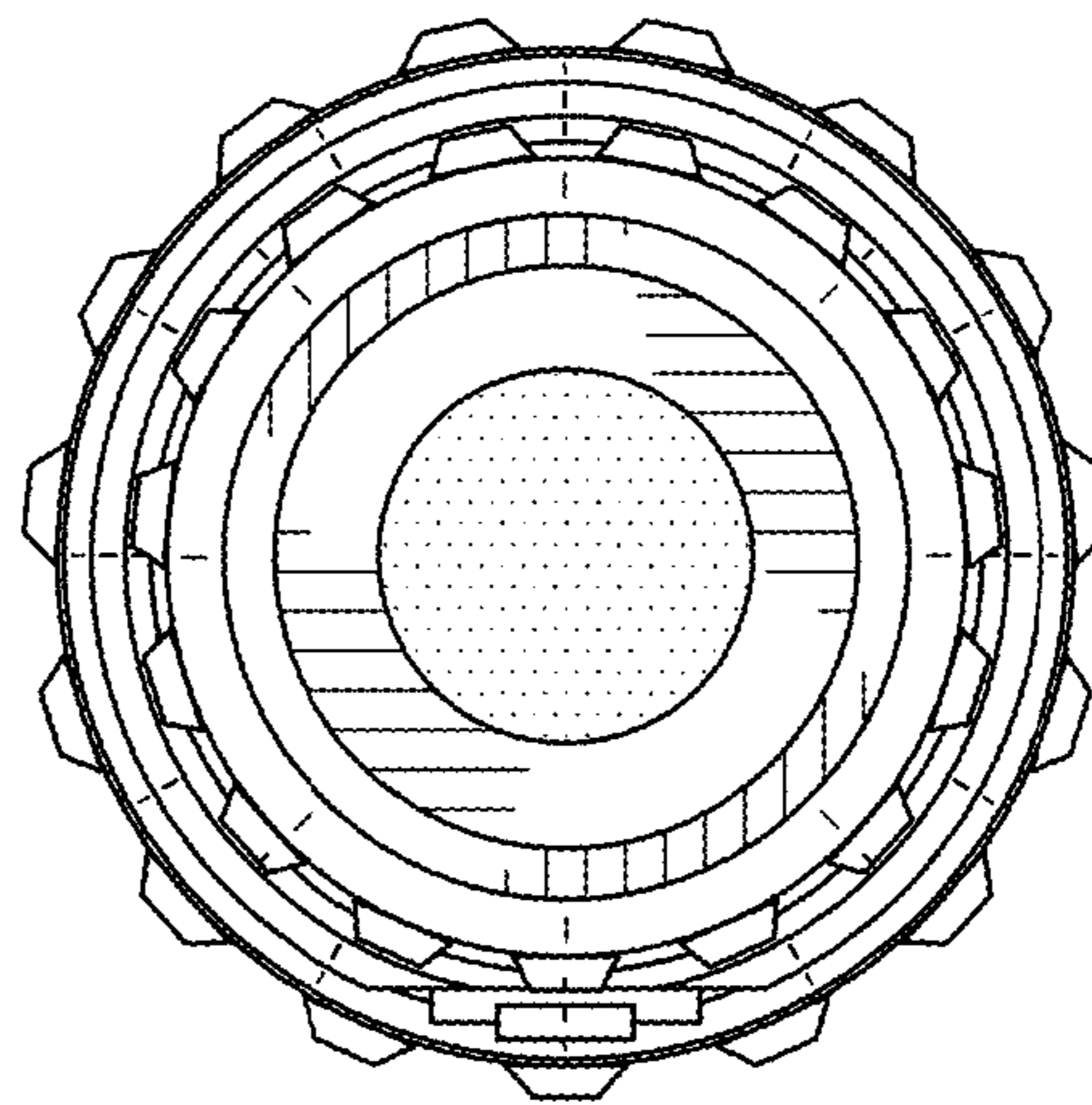


FIG. 4

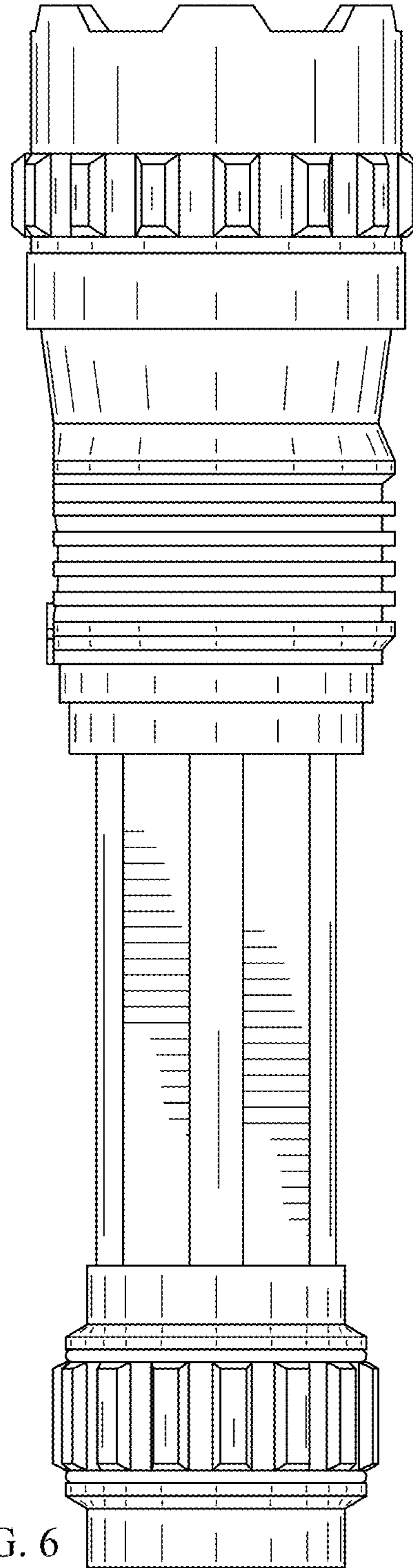
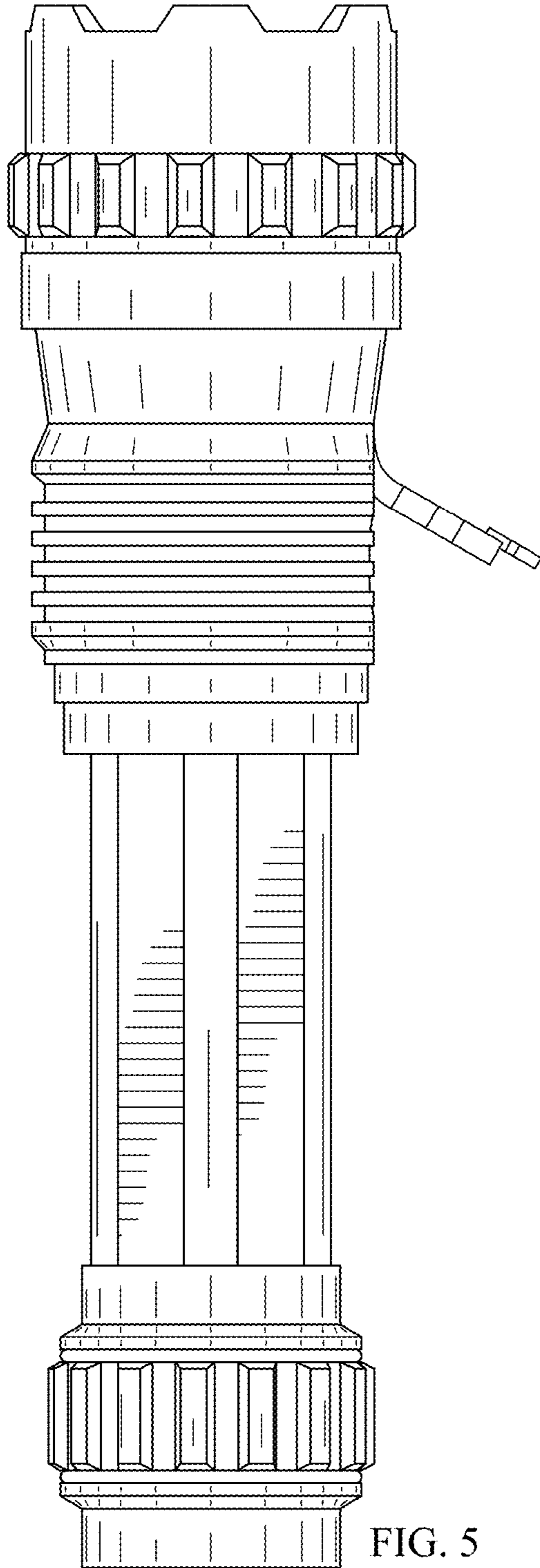


FIG. 5

FIG. 6

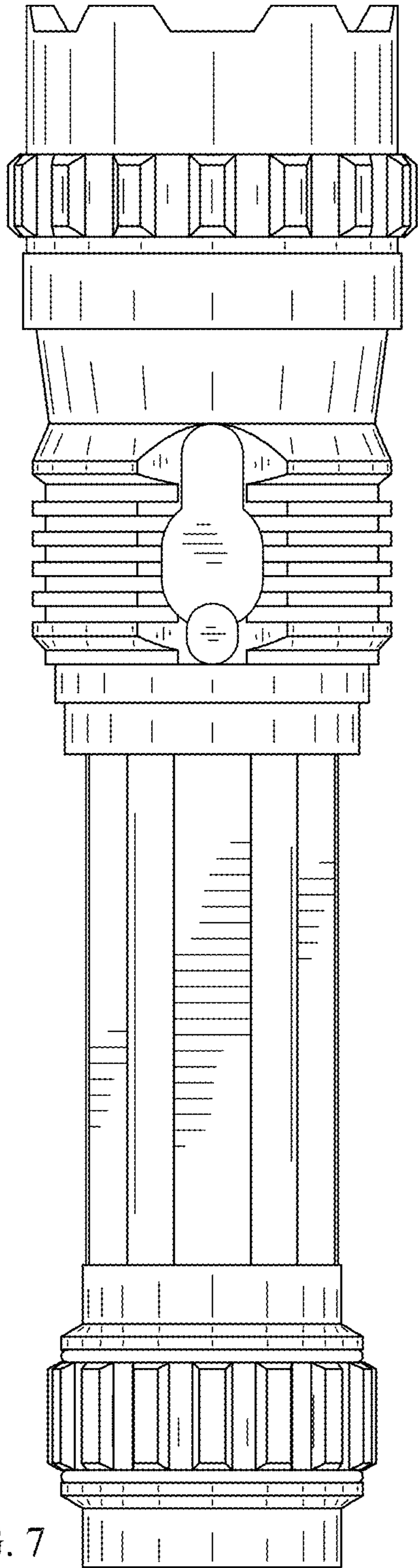


FIG. 7

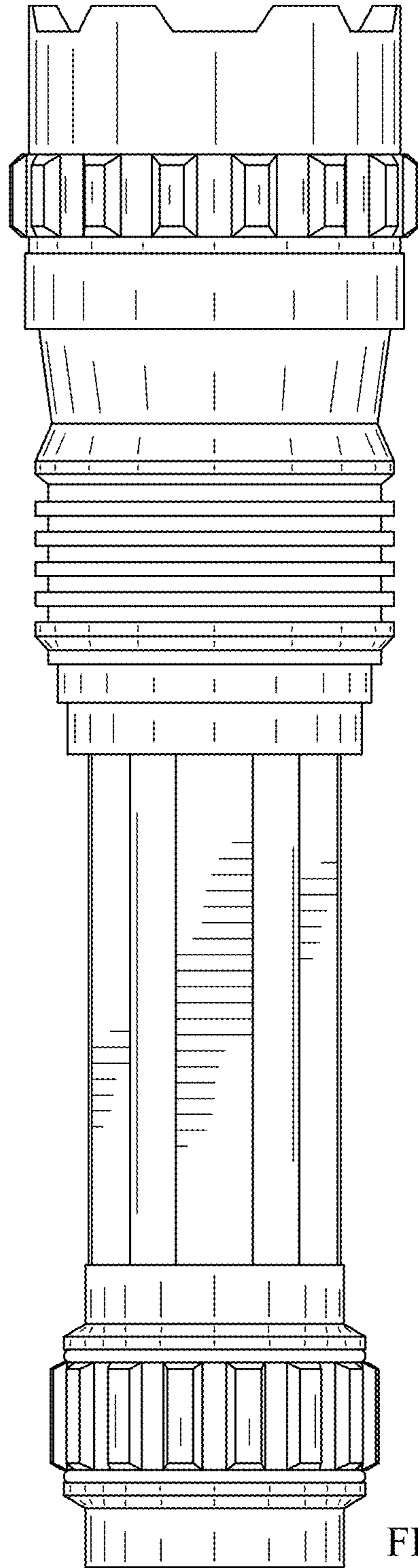


FIG. 8

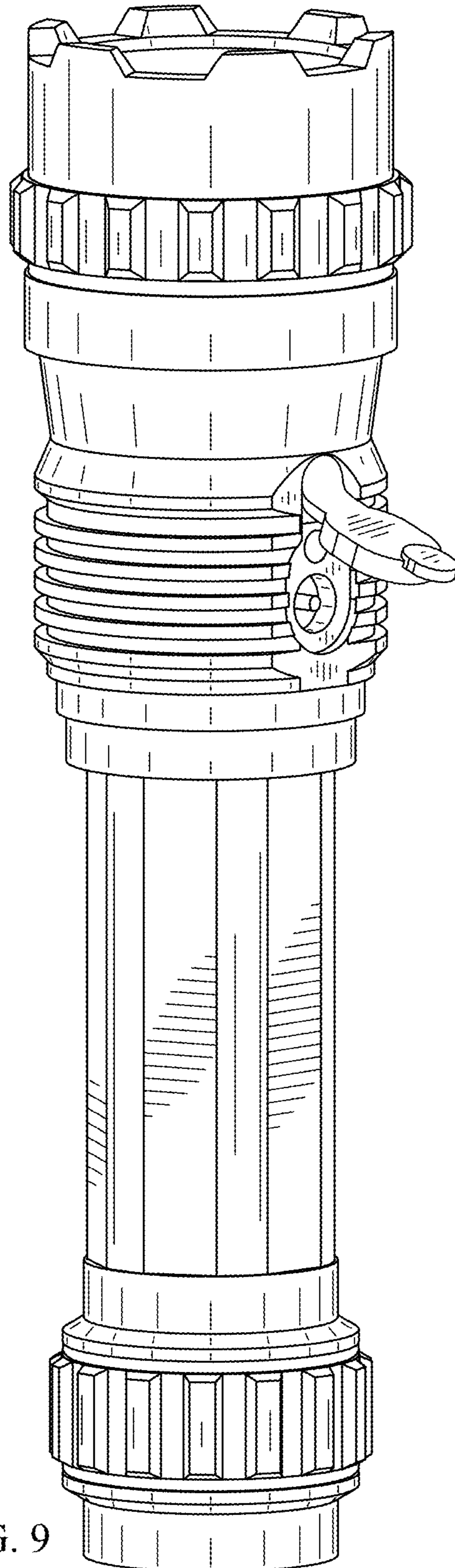


FIG. 9