



US00D769495S

(12) **United States Design Patent**
Bertken

(10) **Patent No.:** **US D769,495 S**

(45) **Date of Patent:** **** Oct. 18, 2016**

(54) **ILLUMINATION DEVICE**

(71) Applicant: **Nite Ize, Inc.**, Boulder, CO (US)

(72) Inventor: **Dennis Bertken**, Del Mar, CA (US)

(73) Assignee: **NITE IZE, INC.**, Boulder, CO (US)

(**) Term: **15 Years**

(21) Appl. No.: **29/535,110**

(22) Filed: **Aug. 4, 2015**

(51) **LOC (10) Cl.** **26-02**

(52) **U.S. Cl.**
USPC **D26/49**

(58) **Field of Classification Search**
USPC D26/46, 49, 37, 38, 51; 362/158, 183,
362/184, 194-196, 200-208
CPC F21L 2003/00; F21L 4/00; F21L 4/005;
F21L 4/02; F21L 4/025; F21L 4/027; F21L
4/04; F21L 4/08; F21L 2005/00; F21L 7/00;
F21L 11/00; F21L 13/00; F21L 13/04;
F21L 13/08; F21L 14/02; F21L 17/00
See application file for complete search history.

(56) **References Cited**

U.S. PATENT DOCUMENTS

D368,147 S	*	3/1996	Bamber	D26/49
D495,442 S	*	8/2004	Packard	D26/37
D497,020 S	*	10/2004	Lee	D26/49
D501,055 S	*	1/2005	Packard	D26/37
D533,674 S	*	12/2006	Julius	D26/49
D563,007 S	*	2/2008	Opolka	D26/49
D564,116 S	*	3/2008	Linardos	D26/49
D574,529 S	*	8/2008	Squires	D26/49
D601,285 S	*	9/2009	Chen	D26/49
D629,544 S	*	12/2010	Deguglimo	D26/49

D629,546 S	*	12/2010	Deguglimo	D26/49
D629,940 S	*	12/2010	Osterhout	D26/38
D674,943 S	*	1/2013	Sheikh	D22/117
D675,764 S	*	2/2013	Boutet	D26/49
D719,694 S	*	12/2014	Nawaz	D22/117
D736,975 S	*	8/2015	Tang	D22/117
D740,988 S	*	10/2015	Robinson	D26/49
D743,076 S	*	11/2015	Robinson	D26/49
D743,599 S	*	11/2015	Robinson	D26/49
D743,600 S	*	11/2015	Robinson	D26/49
D747,024 S	*	1/2016	Windom	D26/49

* cited by examiner

Primary Examiner — Lakiya Rogers

Assistant Examiner — Carissa C Fitts

(74) *Attorney, Agent, or Firm* — Haynes and Boone, LLP;
Robert P. Ziemian

(57) **CLAIM**

The ornamental design for an illumination device, as shown and described.

DESCRIPTION

FIG. 1 is a first perspective view of the illumination device; FIG. 2 is a second perspective view of the illumination device of FIG. 1;

FIG. 3 is a front view of the illumination device of FIG. 1; FIG. 4 is a back view of the illumination device of FIG. 1; FIG. 5 is a first end view of the illumination device of FIG. 1;

FIG. 6 is a second end view of the illumination device of FIG. 1;

FIG. 7 is a right side view of the illumination device of FIG. 1; and,

FIG. 8 is a left side view of the illumination device of FIG. 1.

1 Claim, 4 Drawing Sheets

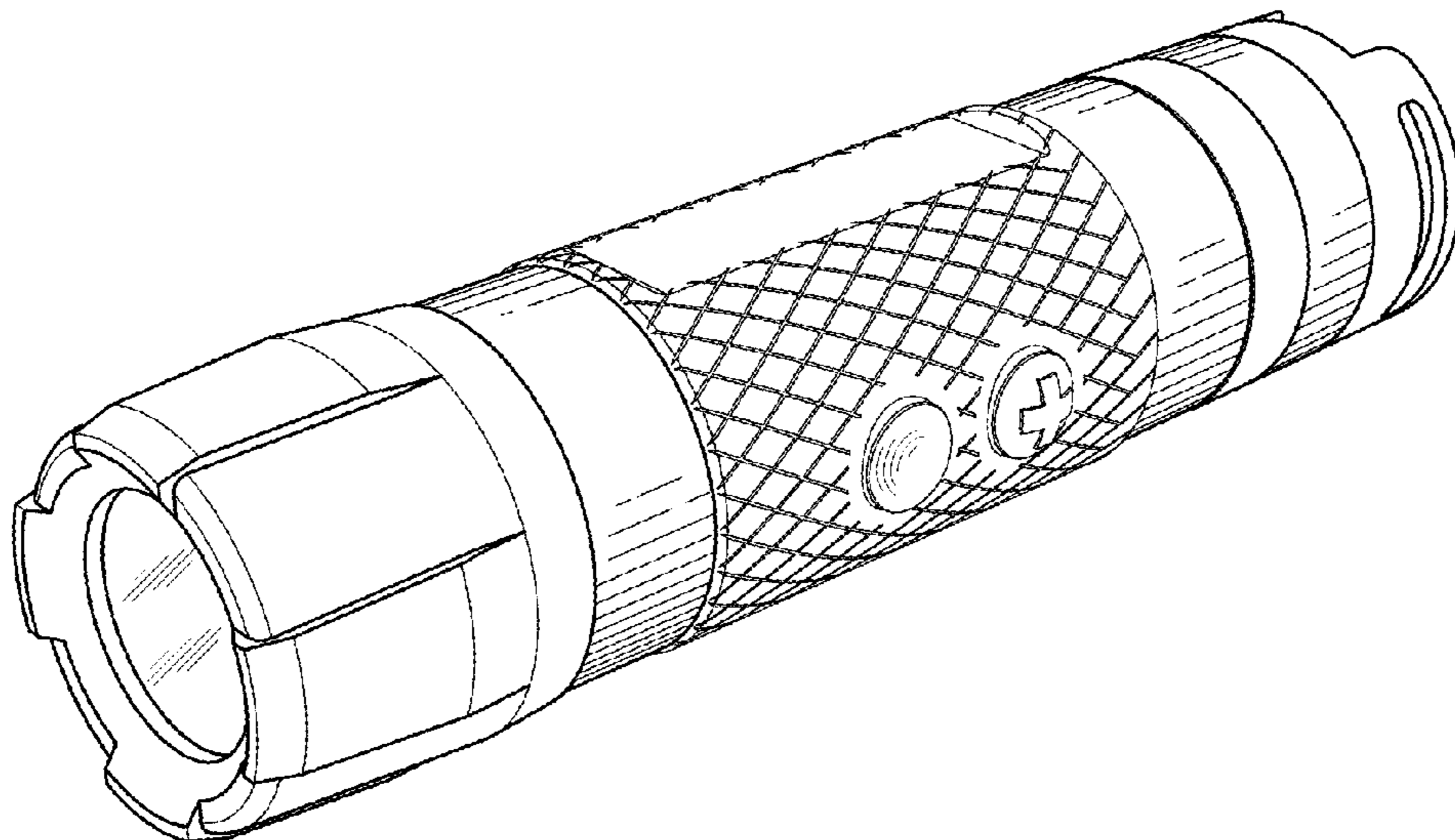


FIG. 1

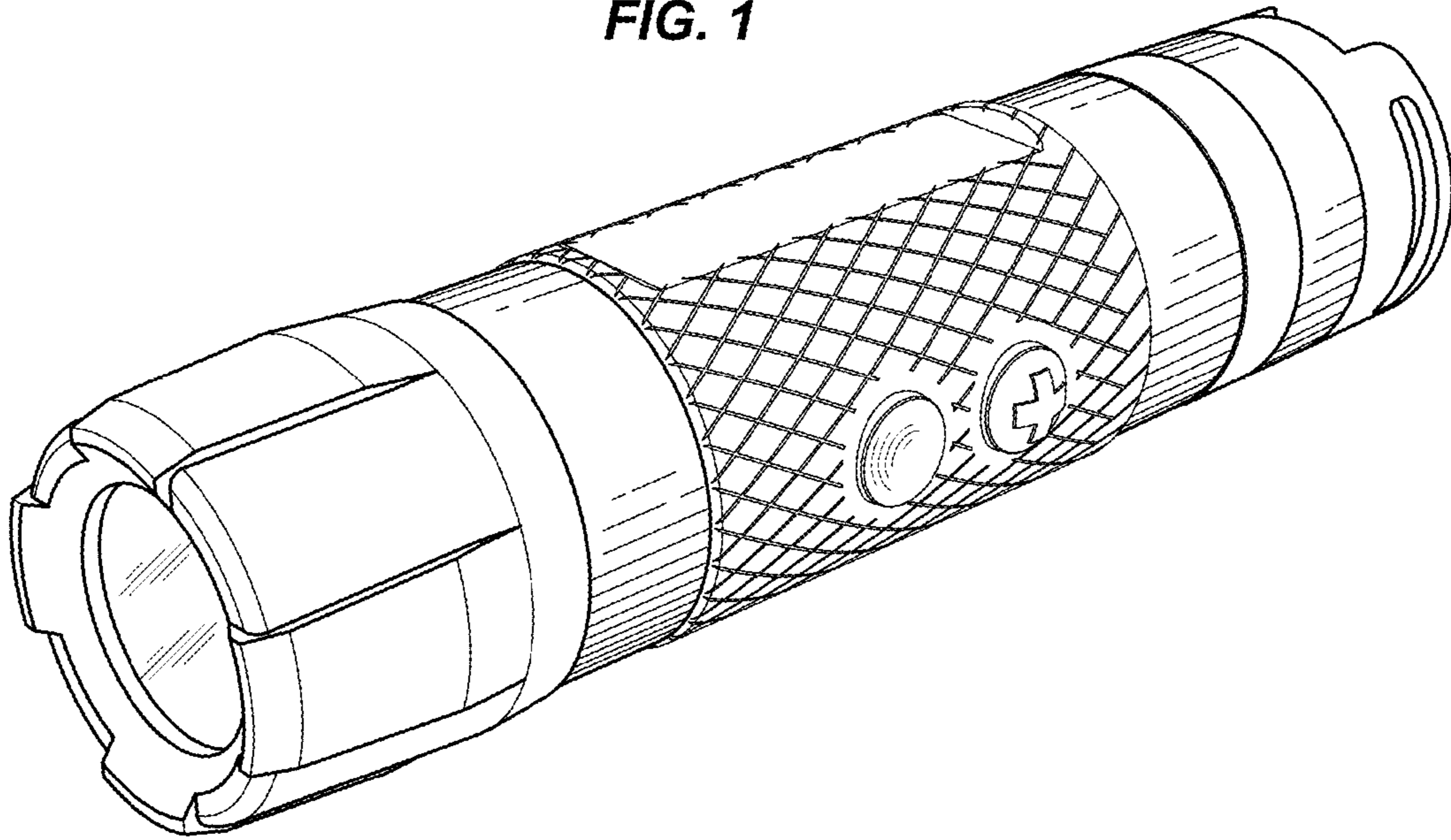


FIG. 2

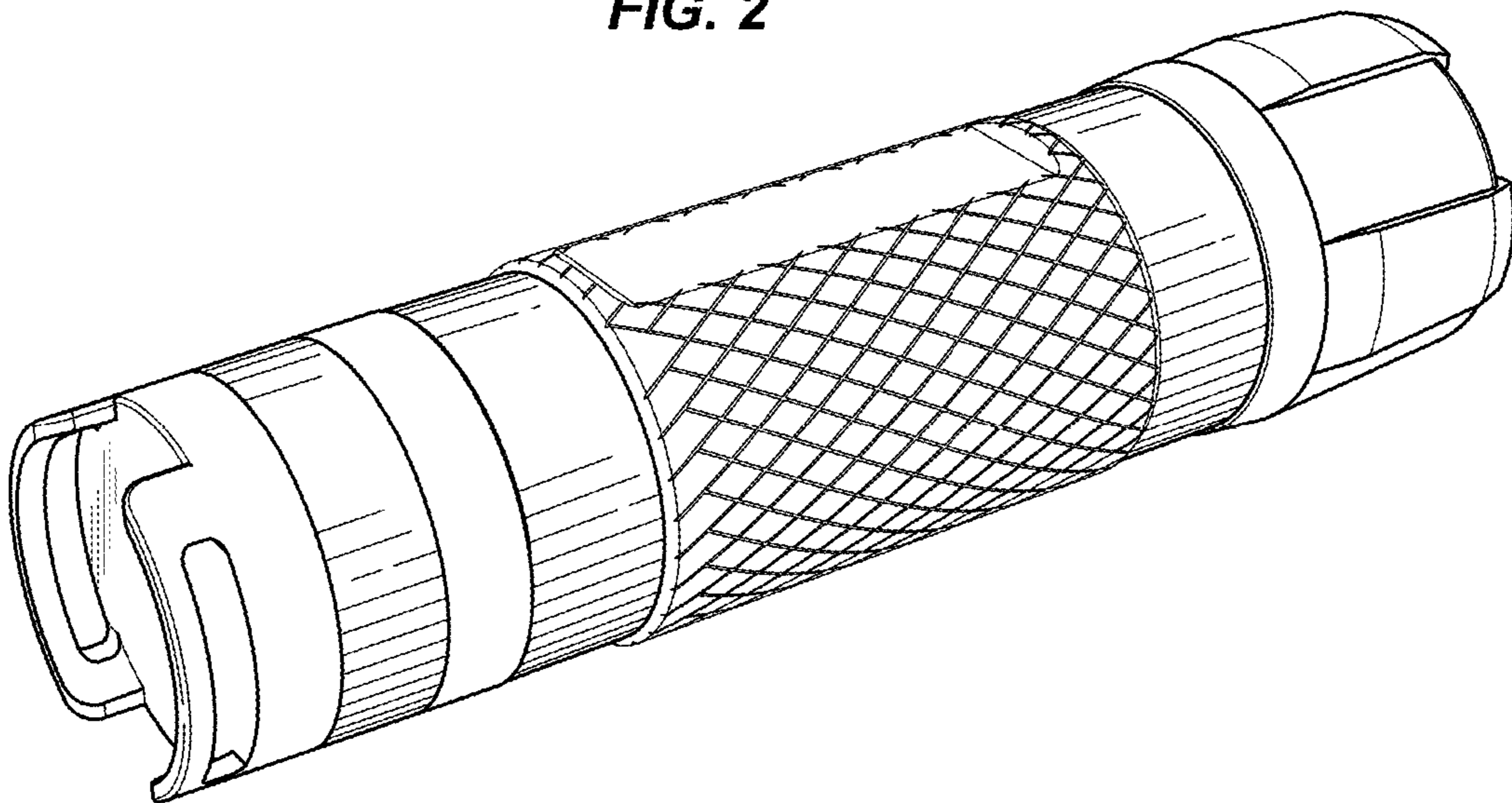


FIG. 3

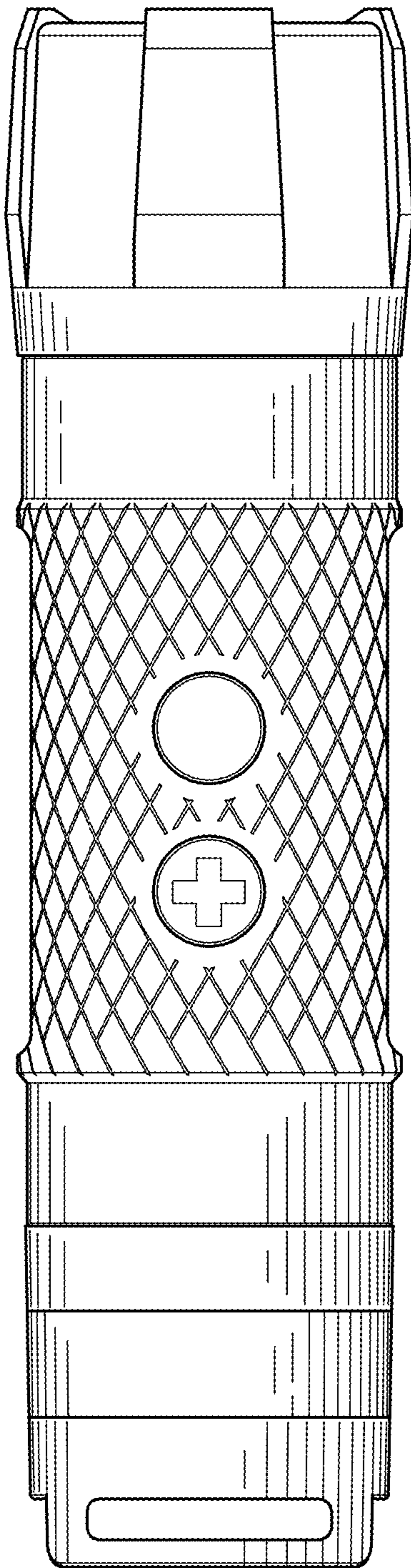


FIG. 4

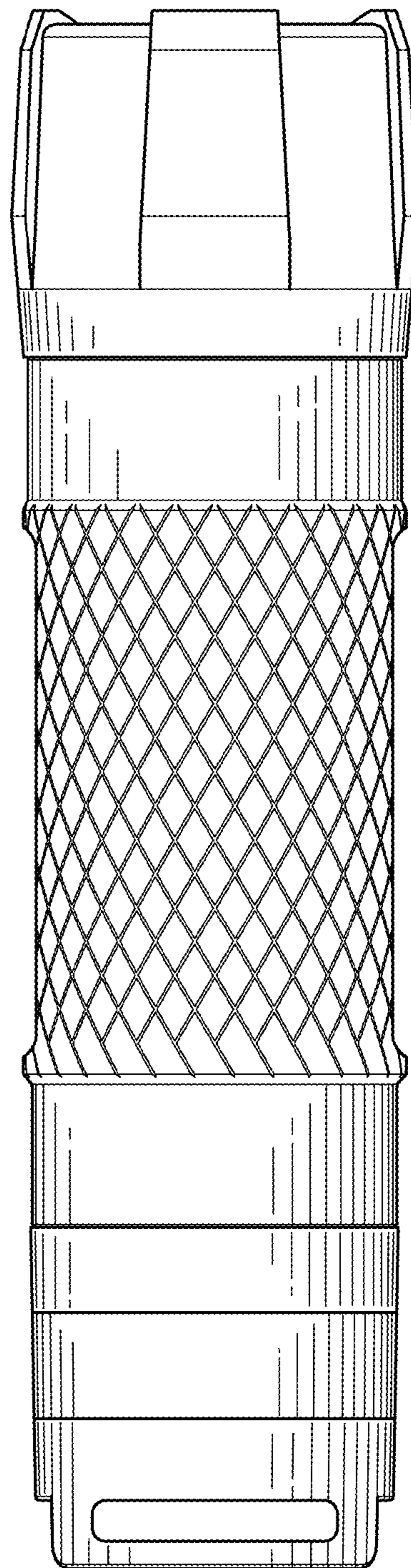


FIG. 5

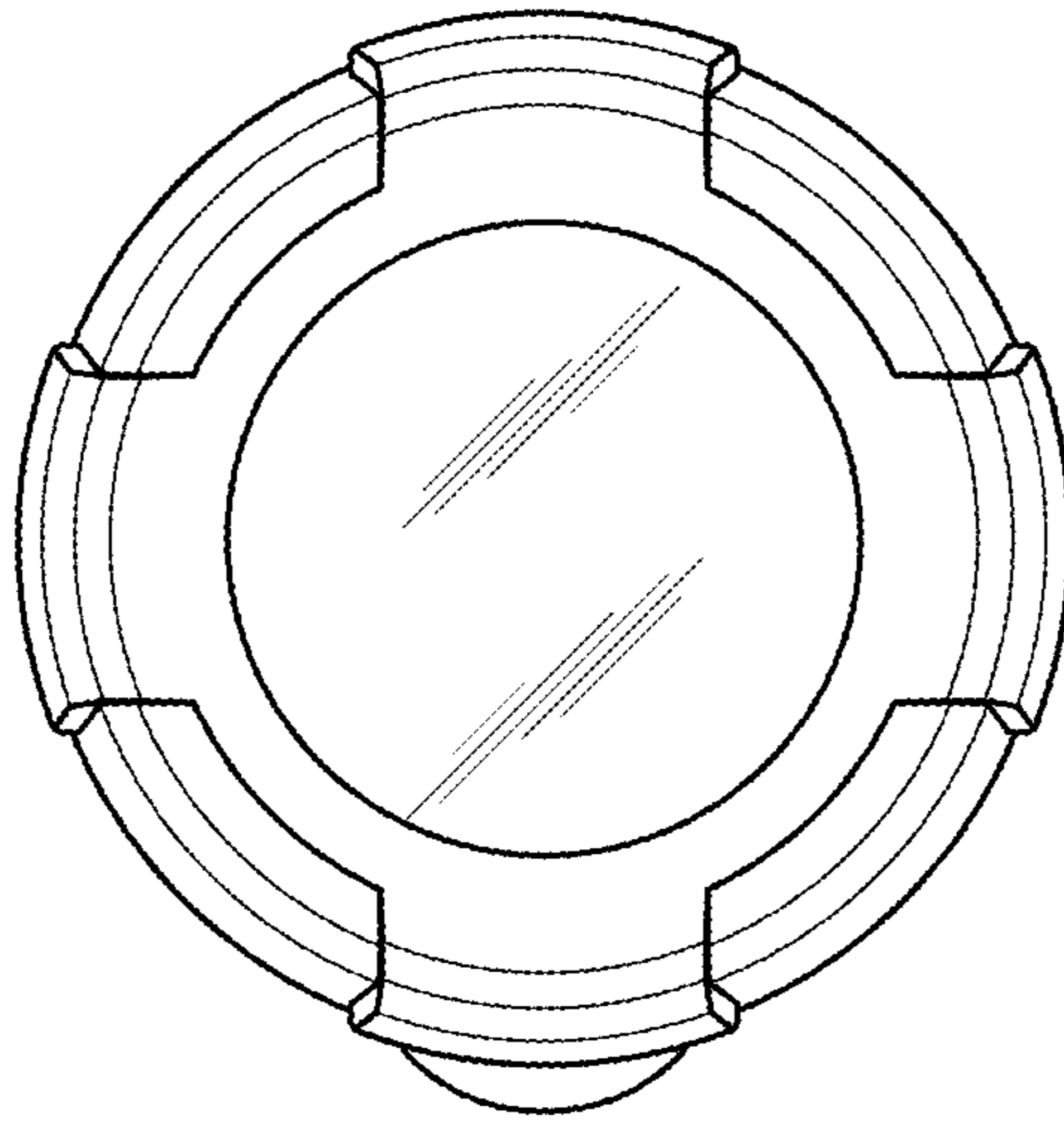


FIG. 6

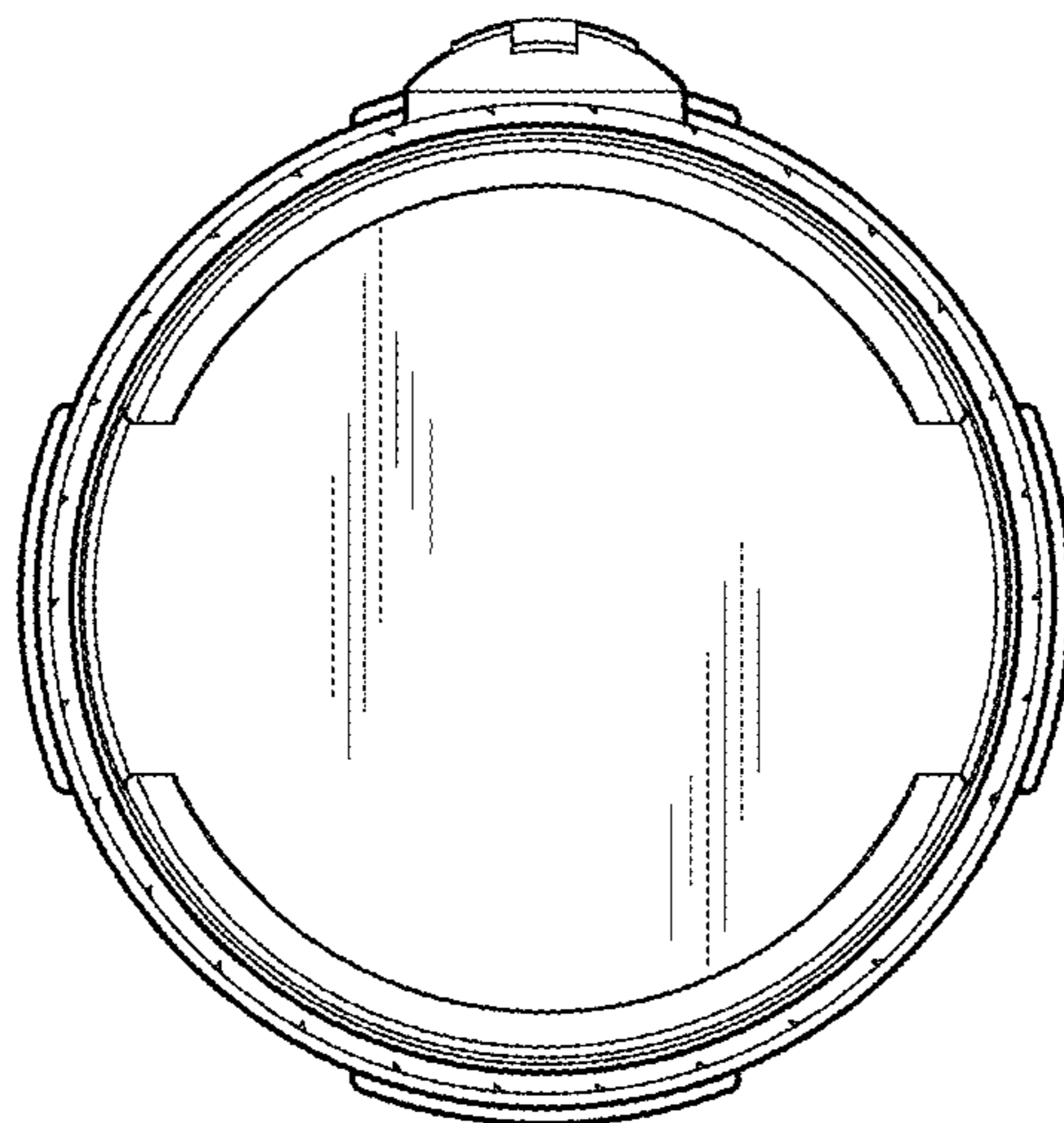


FIG. 7

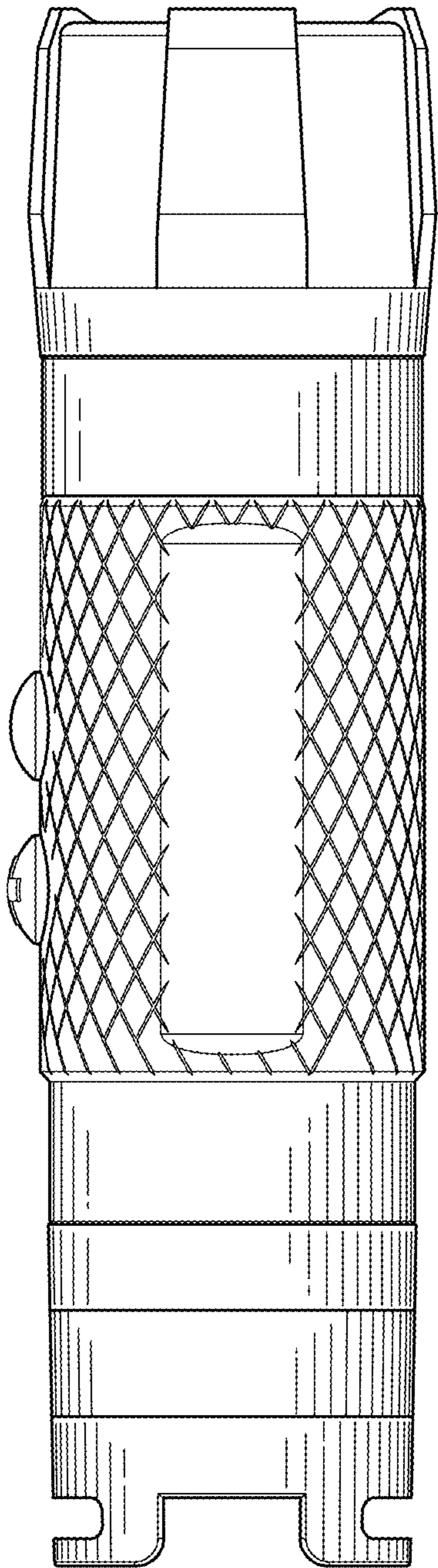


FIG. 8

