



US00D769494S

(12) **United States Design Patent** (10) **Patent No.:** **US D769,494 S**  
**Bertken** (45) **Date of Patent:** **\*\* Oct. 18, 2016**

(54) **ILLUMINATION DEVICE**

(71) Applicant: **Nite Ize, Inc.**, Boulder, CO (US)

(72) Inventor: **Dennis Bertken**, Del Mar, CA (US)

(73) Assignee: **NITE IZE, INC.**, Boulder, CO (US)

(\*\*) Term: **15 Years**

(21) Appl. No.: **29/535,108**

(22) Filed: **Aug. 4, 2015**

(51) **LOC (10) Cl.** ..... **26-02**

(52) **U.S. Cl.**  
USPC ..... **D26/49**

(58) **Field of Classification Search**  
USPC ..... D26/46, 49, 37, 38, 51; 362/158, 183,  
362/184, 194-196, 200-208  
CPC ..... F21L 2003/00; F21L 4/00; F21L 4/005;  
F21L 4/02; F21L 4/025; F21L 4/027; F21L  
4/04; F21L 4/08; F21L 2005/00; F21L 7/00;  
F21L 11/00; F21L 13/00; F21L 13/04;  
F21L 13/08; F21L 14/02; F21L 17/00  
See application file for complete search history.

(56) **References Cited**

**U.S. PATENT DOCUMENTS**

D495,442 S *	8/2004	Packard	.....	D26/37
D497,020 S *	10/2004	Lee	.....	D26/49
D501,055 S *	1/2005	Packard	.....	D26/37
D504,529 S *	4/2005	Vickers	.....	D26/37
D504,530 S *	4/2005	Shiu	.....	D26/37
D527,481 S *	8/2006	Opolka	.....	D26/49
D533,674 S *	12/2006	Julius	.....	D26/49
D563,007 S *	2/2008	Opolka	.....	D26/49
D564,116 S *	3/2008	Linardos	.....	D26/49
D577,845 S *	9/2008	Shiu	.....	D26/49
D601,285 S *	9/2009	Chen	.....	D26/49

D629,940 S *	12/2010	Osterhout	.....	D26/38
D643,561 S *	8/2011	Maglica	.....	D26/49
D675,358 S *	1/2013	Brands	.....	D26/49
D675,764 S *	2/2013	Boutet	.....	D26/49
D683,877 S *	6/2013	Brands	.....	D26/49
D698,961 S *	2/2014	Dalton	.....	D26/49
D719,694 S *	12/2014	Nawaz	.....	D22/117
D732,721 S *	6/2015	Popper	.....	D26/49
D736,975 S *	8/2015	Tang	.....	D22/117
D740,988 S *	10/2015	Robinson	.....	D26/49
D743,600 S *	11/2015	Robinson	.....	D26/49
D747,024 S *	1/2016	Windom	.....	D26/49

\* cited by examiner

*Primary Examiner* — Lakiya Rogers

*Assistant Examiner* — Carissa C Fitts

(74) *Attorney, Agent, or Firm* — Haynes and Boone, LLP;  
Robert P. Ziemian

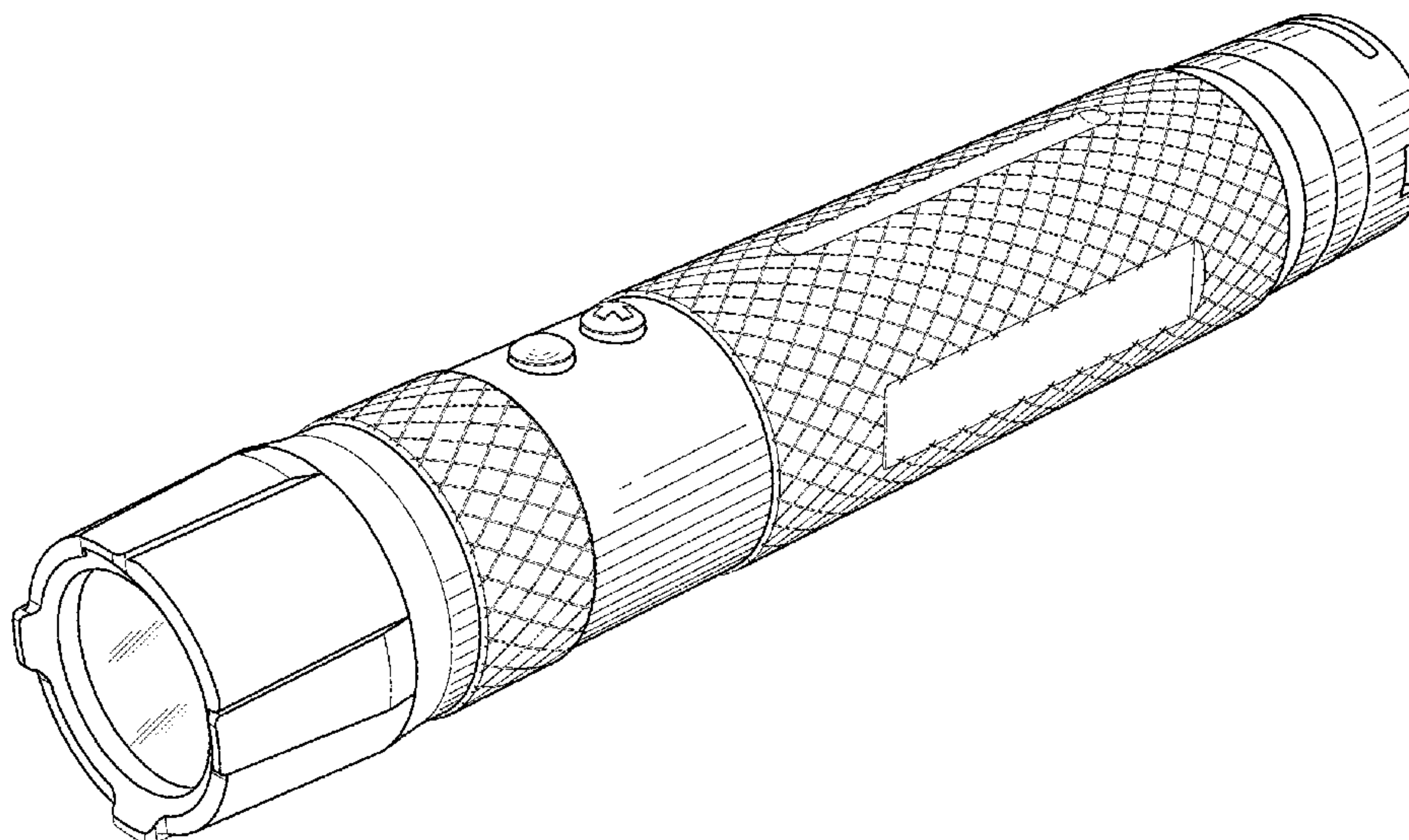
(57) **CLAIM**

The ornamental design for an illumination device, as shown and described.

**DESCRIPTION**

FIG. 1 is a first perspective view of the illumination device; FIG. 2 is a second perspective view of the illumination device of FIG. 1; FIG. 3 is a front view of the illumination device of FIG. 1; FIG. 4 is a back view of the illumination device of FIG. 1; FIG. 5 is a first end view of the illumination device of FIG. 1; FIG. 6 is a second end view of the illumination device of FIG. 1; FIG. 7 is a right side view of the illumination device of FIG. 1; and, FIG. 8 is a left side view of the illumination device of FIG. 1.

**1 Claim, 5 Drawing Sheets**



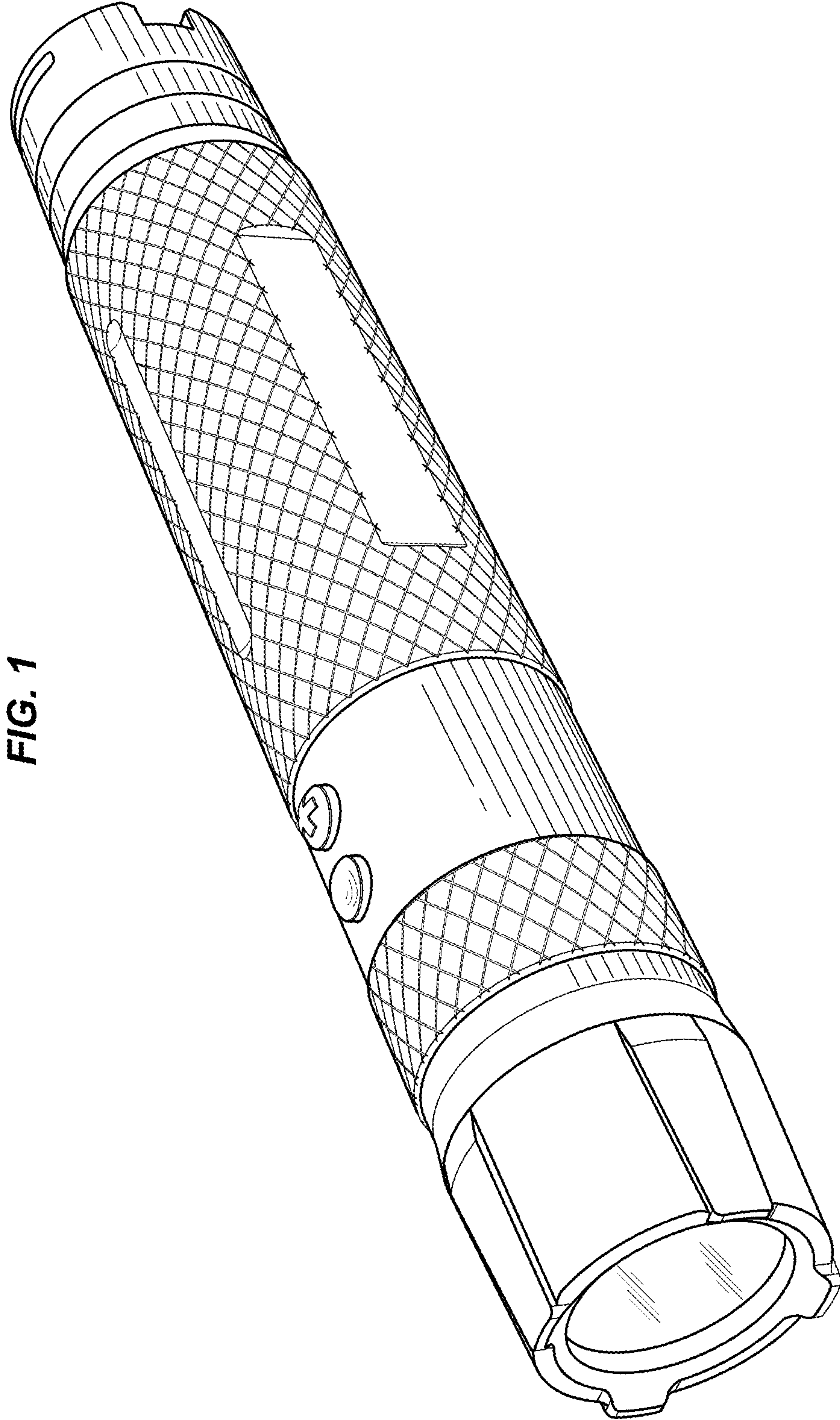
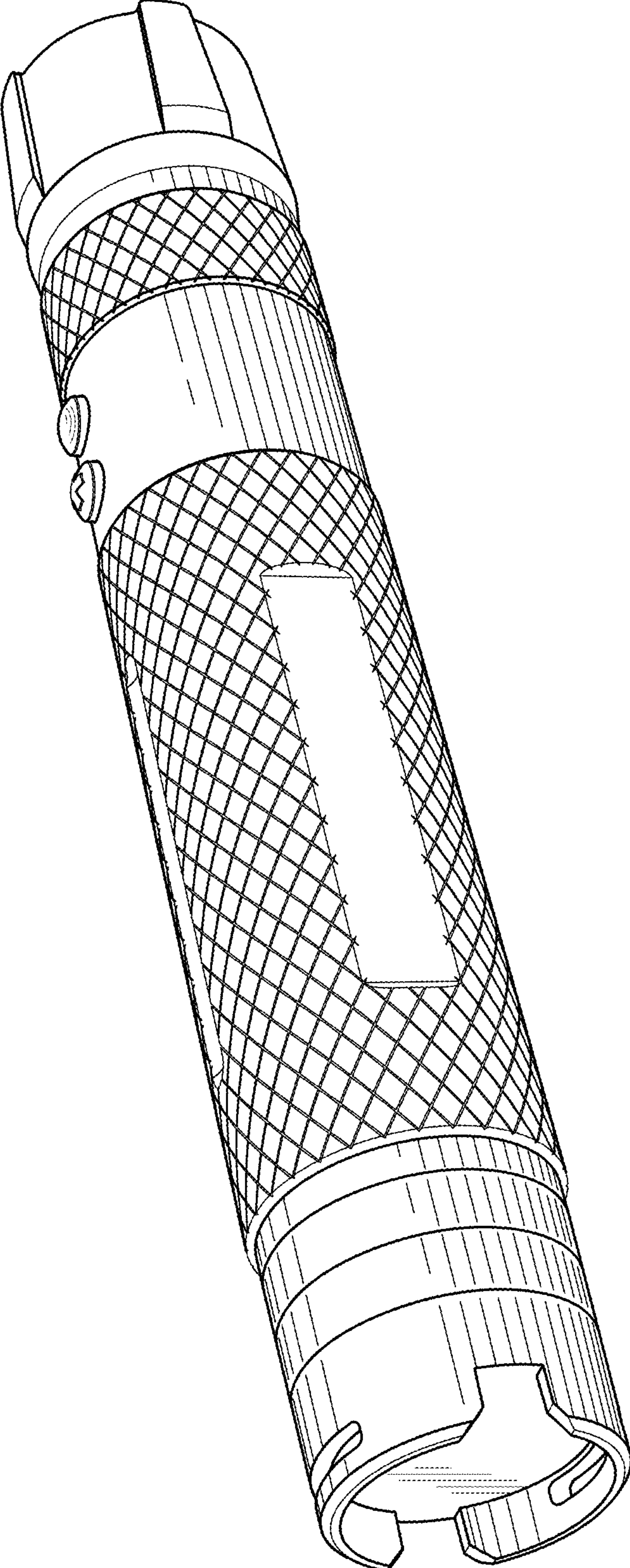


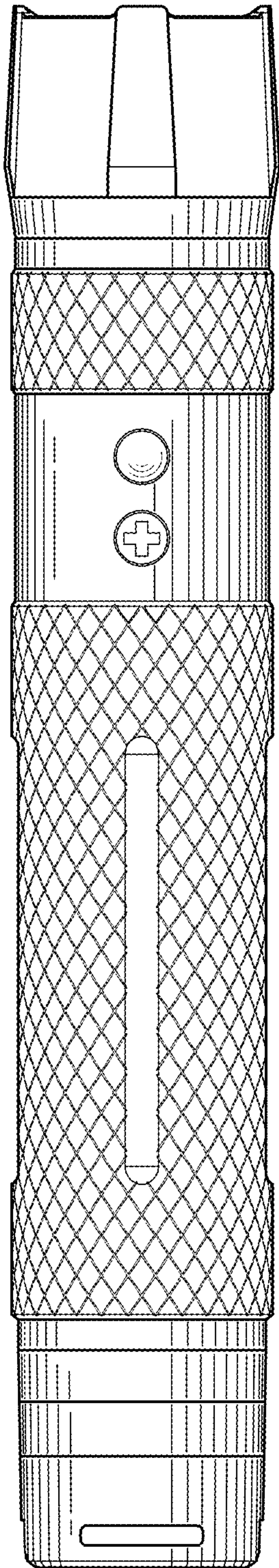
FIG. 1



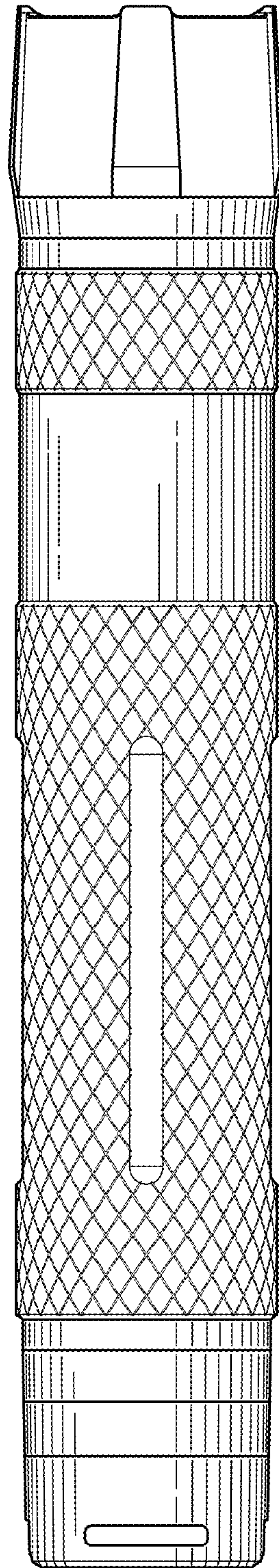
FIG. 2



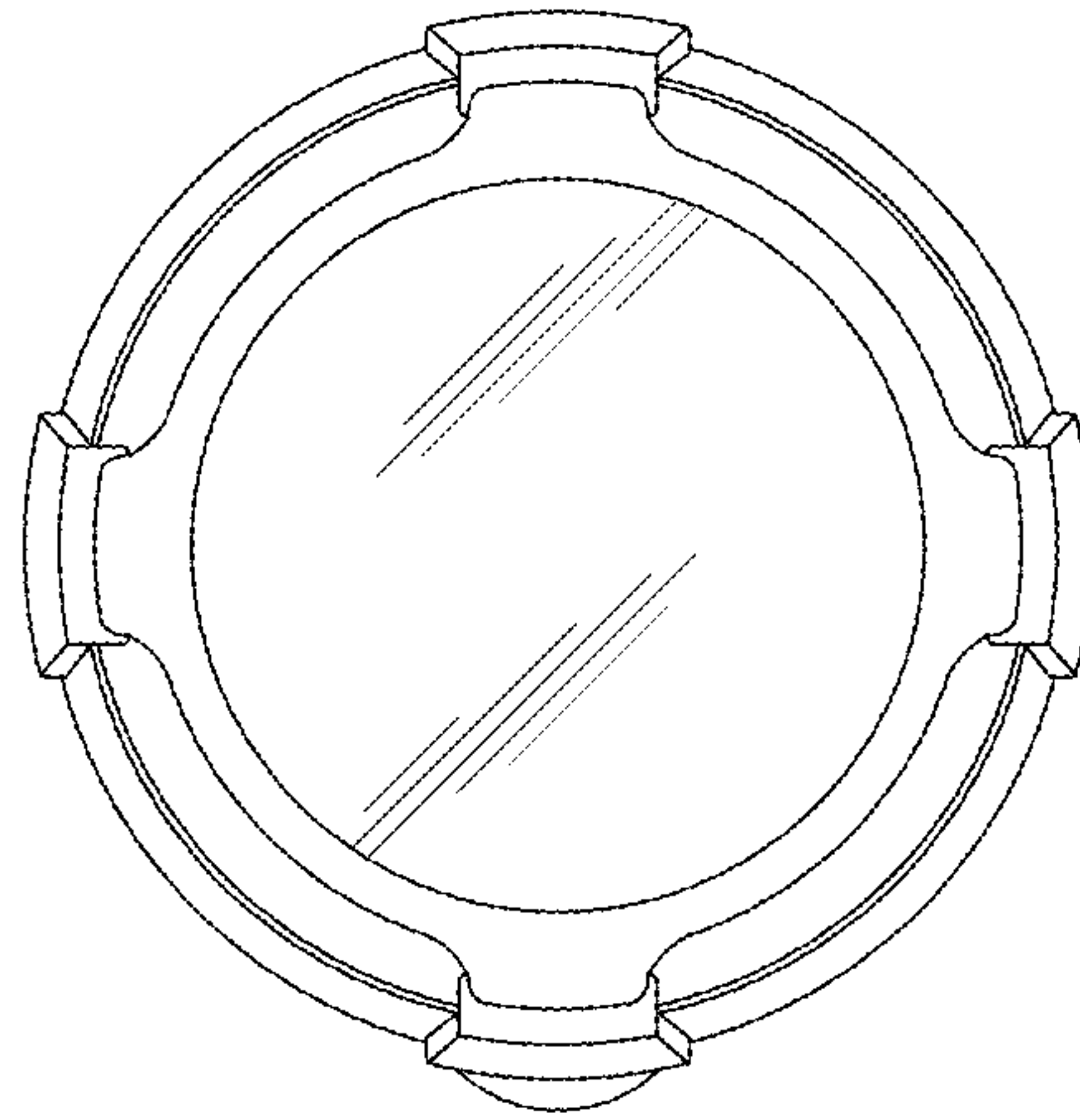
**FIG. 3**



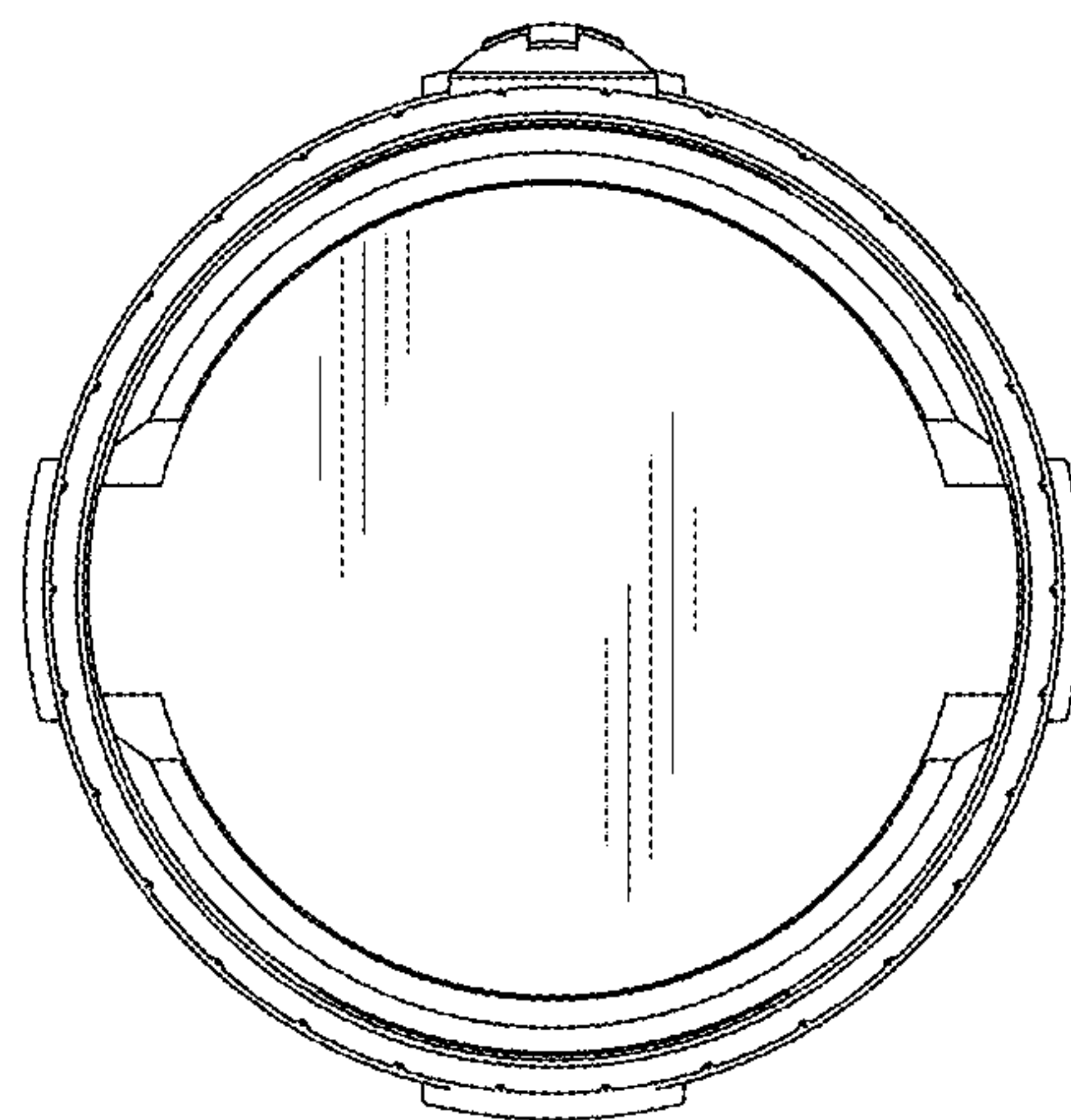
**FIG. 4**



**FIG. 5**

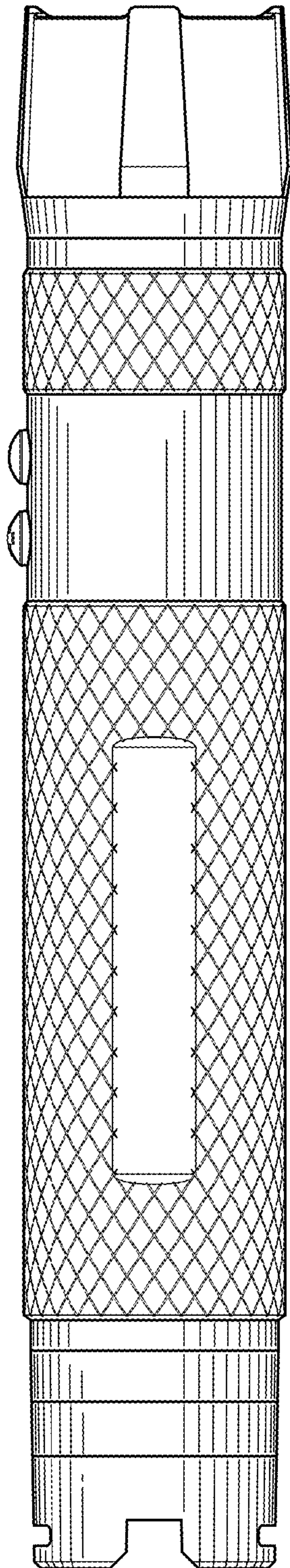


**FIG. 6**





**FIG. 7**



**FIG. 8**

