

US00D769492S

(12) **United States Design Patent** (10) **Patent No.:** **US D769,492 S**
Futschik et al. (45) **Date of Patent:** **** Oct. 18, 2016**

(54) **HEADLIGHT FOR A VEHICLE**
(71) Applicant: **Daimler AG**, Stuttgart (DE)
(72) Inventors: **Hans-Dieter Futschik**, Gechingen (DE); **Stefan Handt**, Stuttgart (DE); **Frank Pfisterer**, Weil der Stadt (DE); **Gorden Wagener**, Gaeufelden (DE)
(73) Assignee: **Daimler AG**, Stuttgart (DE)

(**) Term: **15 Years**

(21) Appl. No.: **29/543,097**

(22) Filed: **Oct. 21, 2015**

Related U.S. Application Data

(62) Division of application No. 29/466,723, filed on Sep. 11, 2013, now Pat. No. Des. 744,129.

(30) **Foreign Application Priority Data**

Mar. 12, 2013 (DE) 40 2013 001 159

(51) **LOC (10) Cl.** **26-06**

(52) **U.S. Cl.**
USPC **D26/28**

(58) **Field of Classification Search**
USPC D26/28-36; 362/459-468, 475-478, 362/485-487

CPC B60Q 1/04; B60Q 1/0408; B60Q 1/0466; B60Q 1/2653; B60Q 1/28; F21S 48/00; F21S 48/10; F21S 48/1388; F21V 21/04
See application file for complete search history.

(56) **References Cited**

U.S. PATENT DOCUMENTS

D538,956 S 3/2007 Ishii
D679,844 S 4/2013 Frenzel et al.

D688,825 S * 8/2013 Binder D26/28
D691,298 S * 10/2013 Binder D26/28
D708,768 S * 7/2014 Futschik D26/28
D709,213 S * 7/2014 Futschik D26/28
D722,188 S 2/2015 Futschik et al.
D728,133 S 4/2015 Bieling et al.
D728,134 S 4/2015 Bieling et al.
D746,495 S * 12/2015 Gorsten Schuenemann .. D26/28
D752,255 S * 3/2016 Futschik D26/28
D756,005 S * 5/2016 Handt D26/28
D756,551 S * 5/2016 Handt D26/28

* cited by examiner

Primary Examiner — Wan Laymon

(74) *Attorney, Agent, or Firm* — Crowell & Moring LLP

(57) **CLAIM**

The ornamental design for a headlight for a vehicle, as shown and described.

DESCRIPTION

This application contains subject matter related to the following U.S. design patent application:

Application Ser. No. 29/455,966, filed May 28, 2013, now U.S. Pat. No. D710,258, and entitled “Vehicle, Toy, and/or Replicas Thereof.”

FIG. 1 is a right perspective view of a first embodiment of a headlight for a vehicle according to the design;

FIG. 2 is a front view thereof;

FIG. 3 is a right side view thereof; and

FIG. 4 is a top view thereof.

FIG. 5 is a left perspective view of a second embodiment of the headlight for a vehicle according to the design;

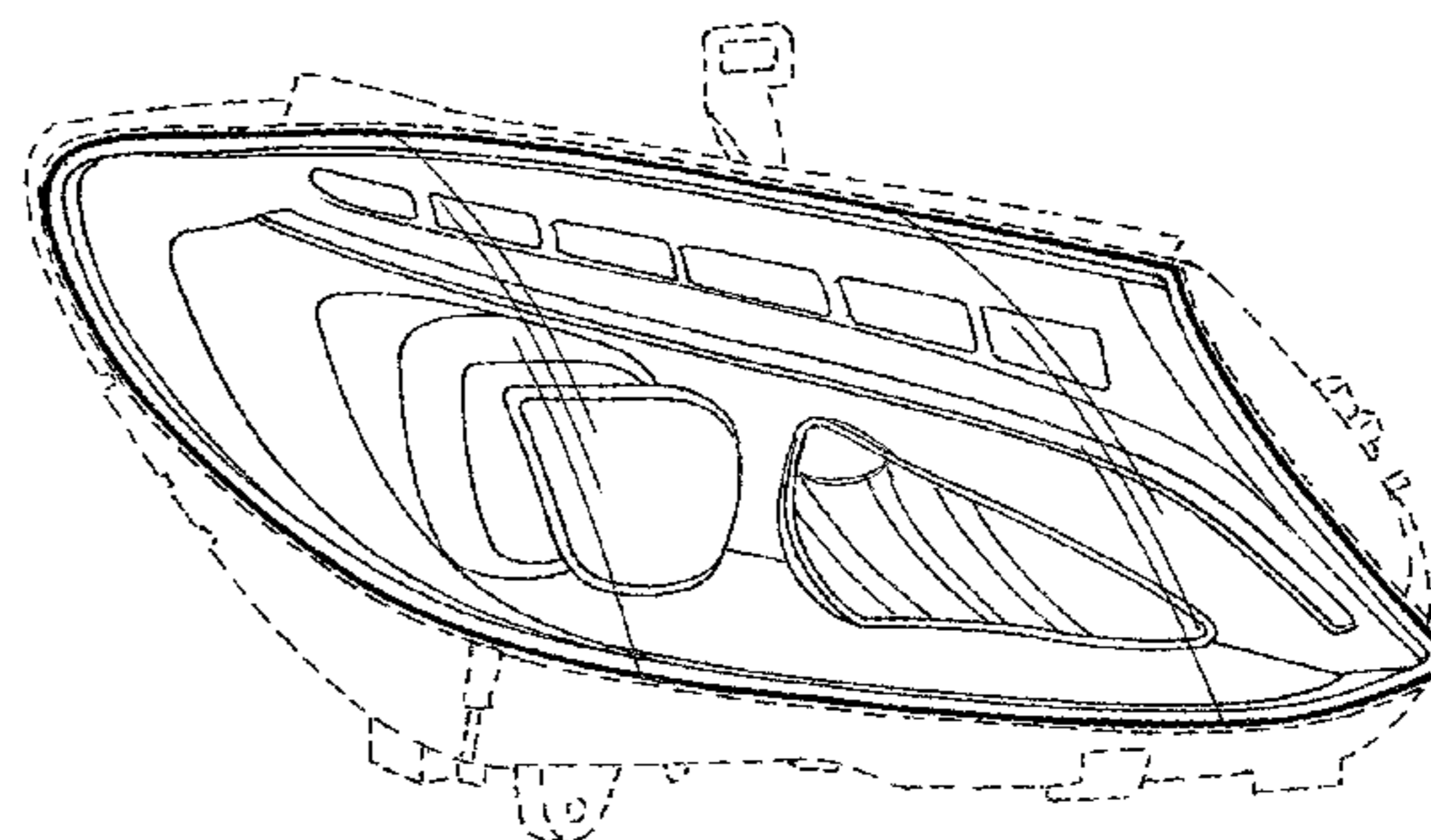
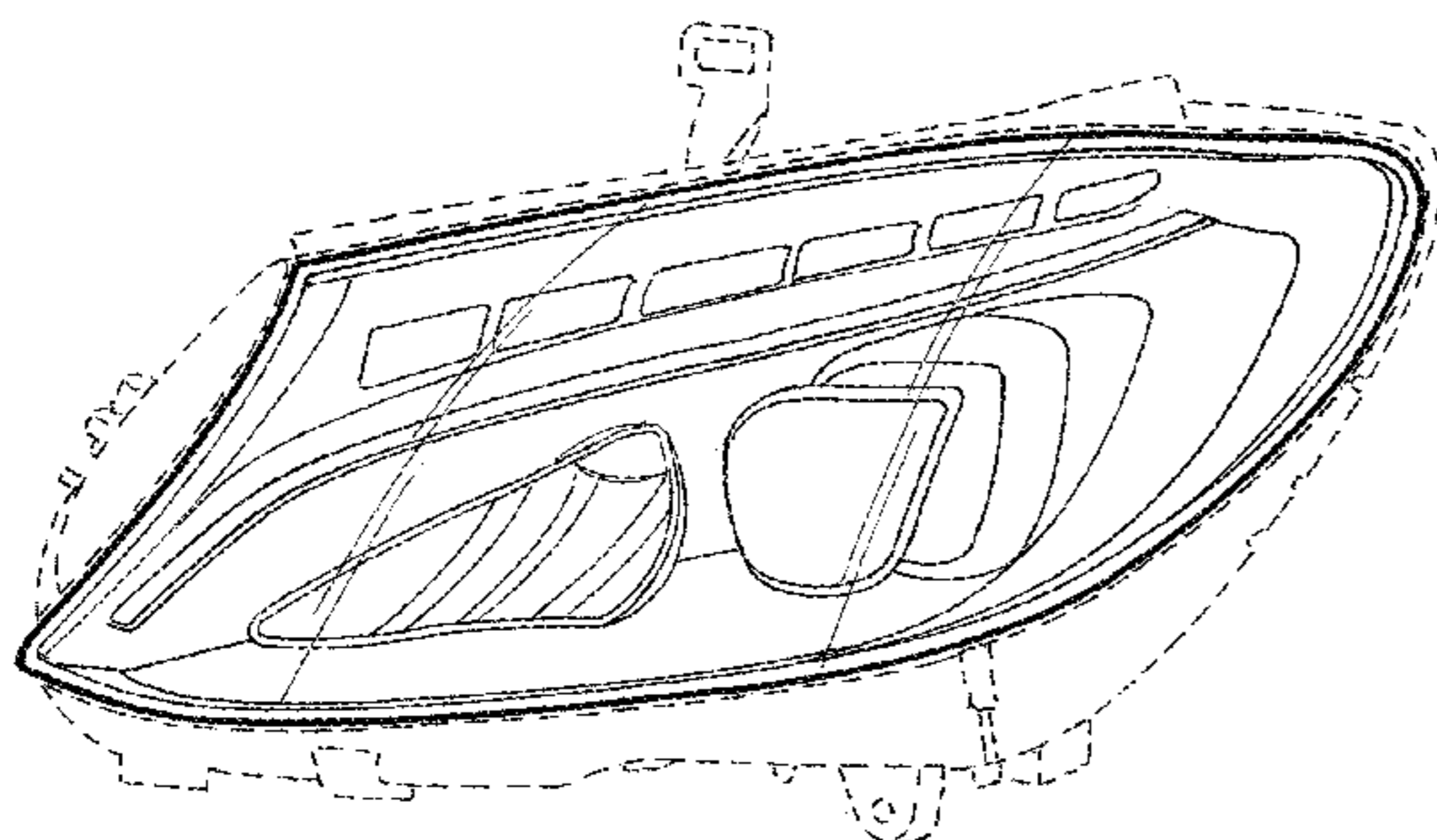
FIG. 6 is a front view thereof;

FIG. 7 is a left side view thereof; and,

FIG. 8 is a top view thereof.

The broken lines shown in the figures represent portions of the headlight for a vehicle that form no part of the claimed design.

1 Claim, 4 Drawing Sheets



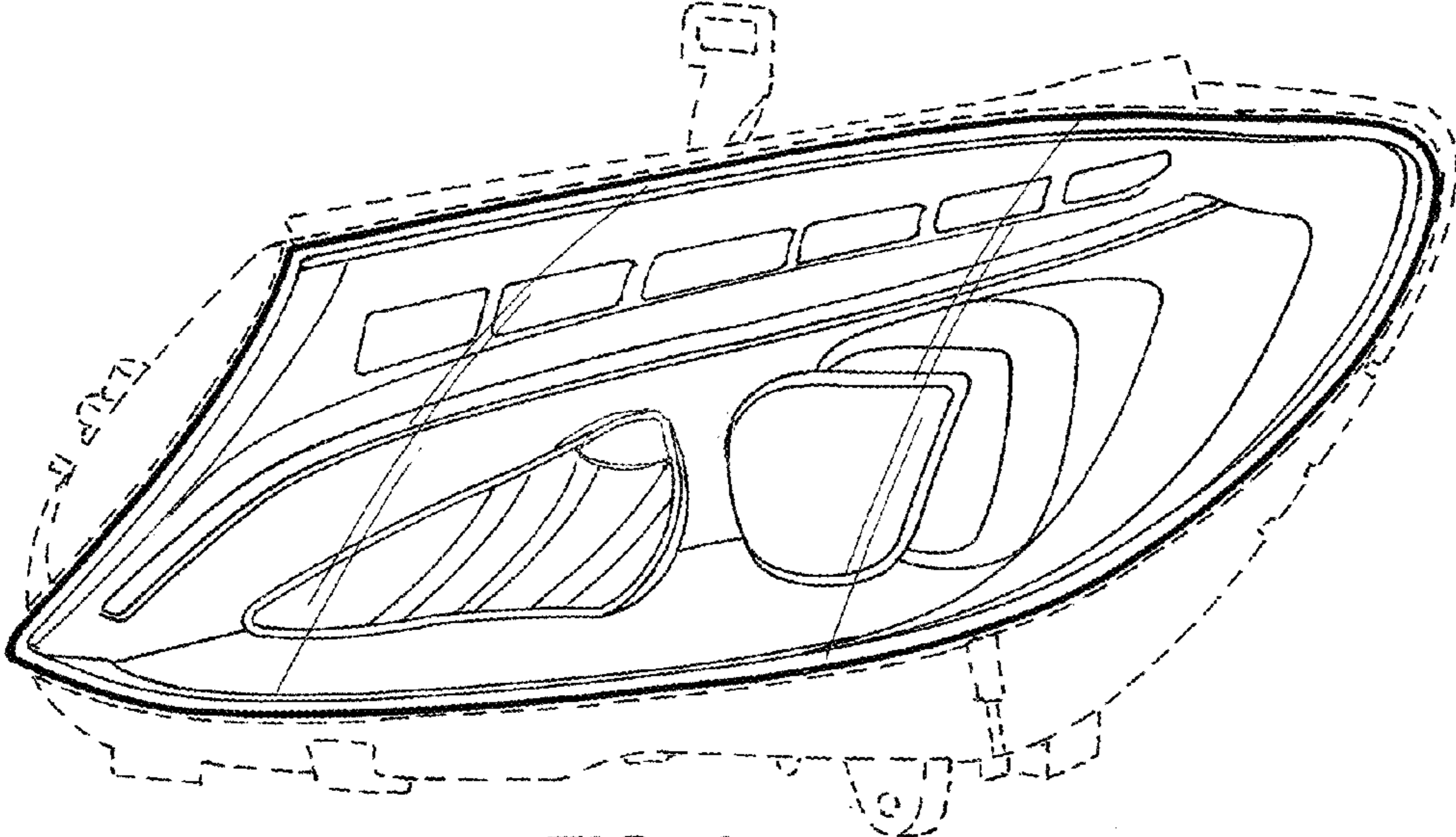


FIG. 1

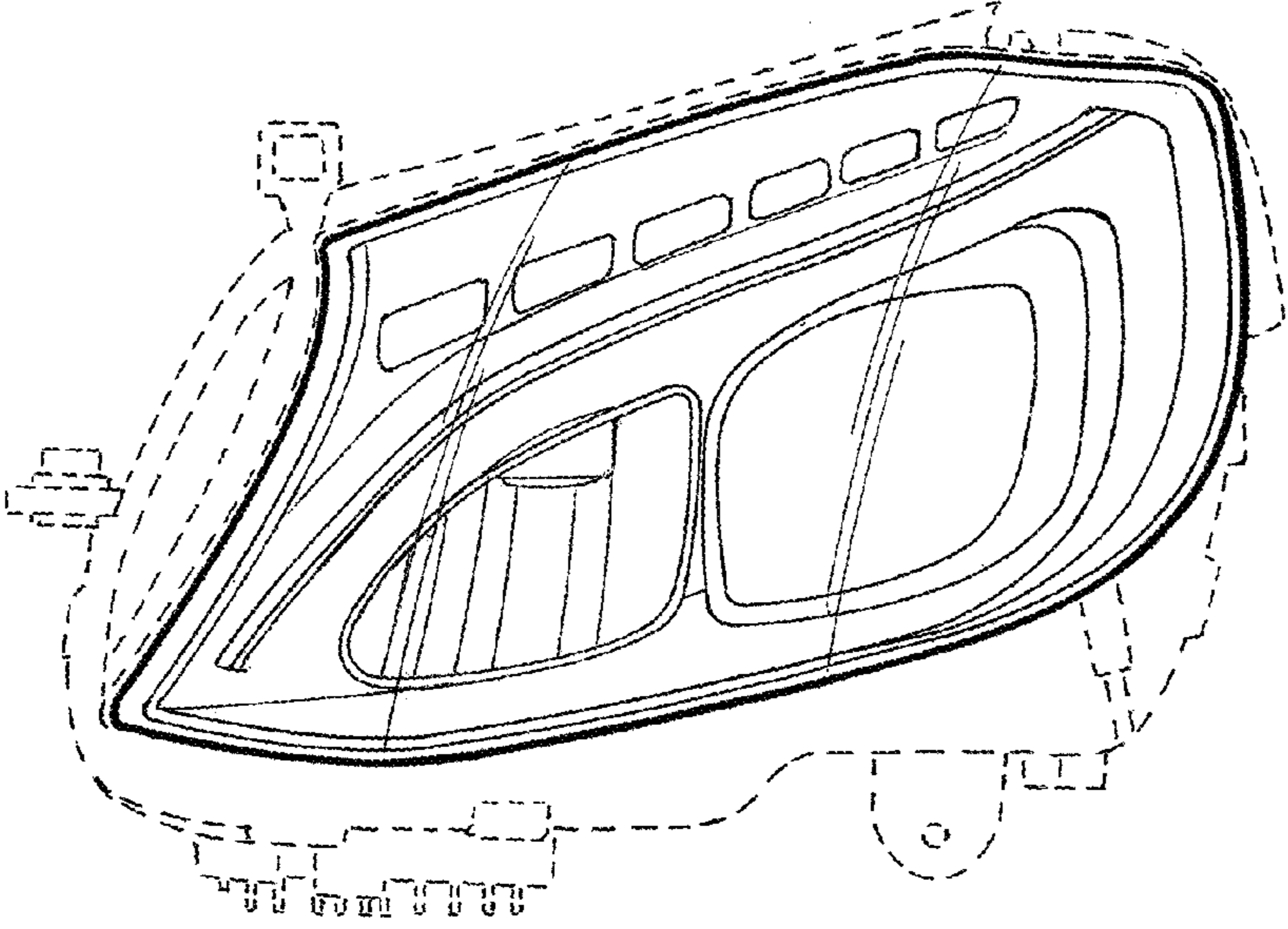


FIG. 2

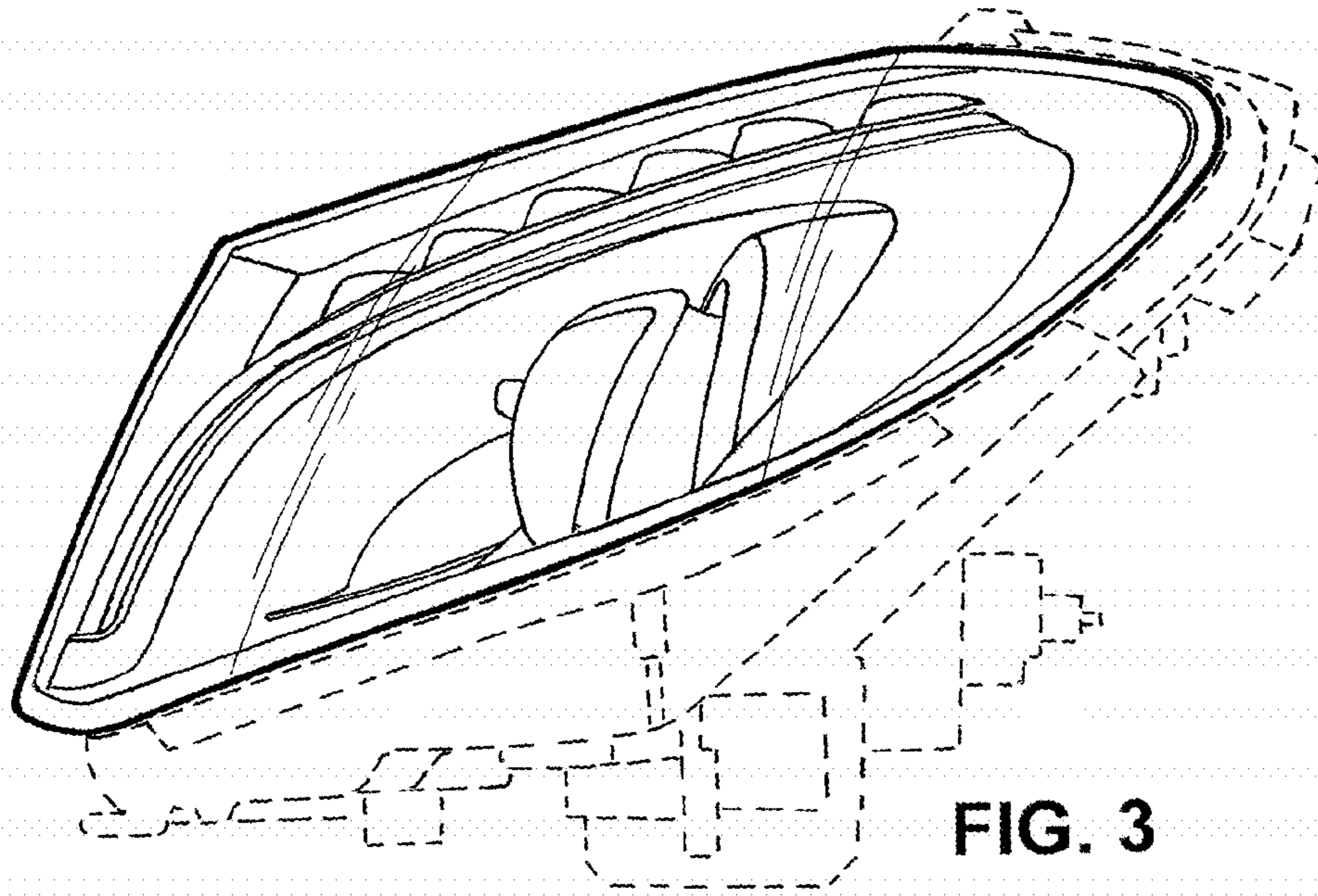


FIG. 3

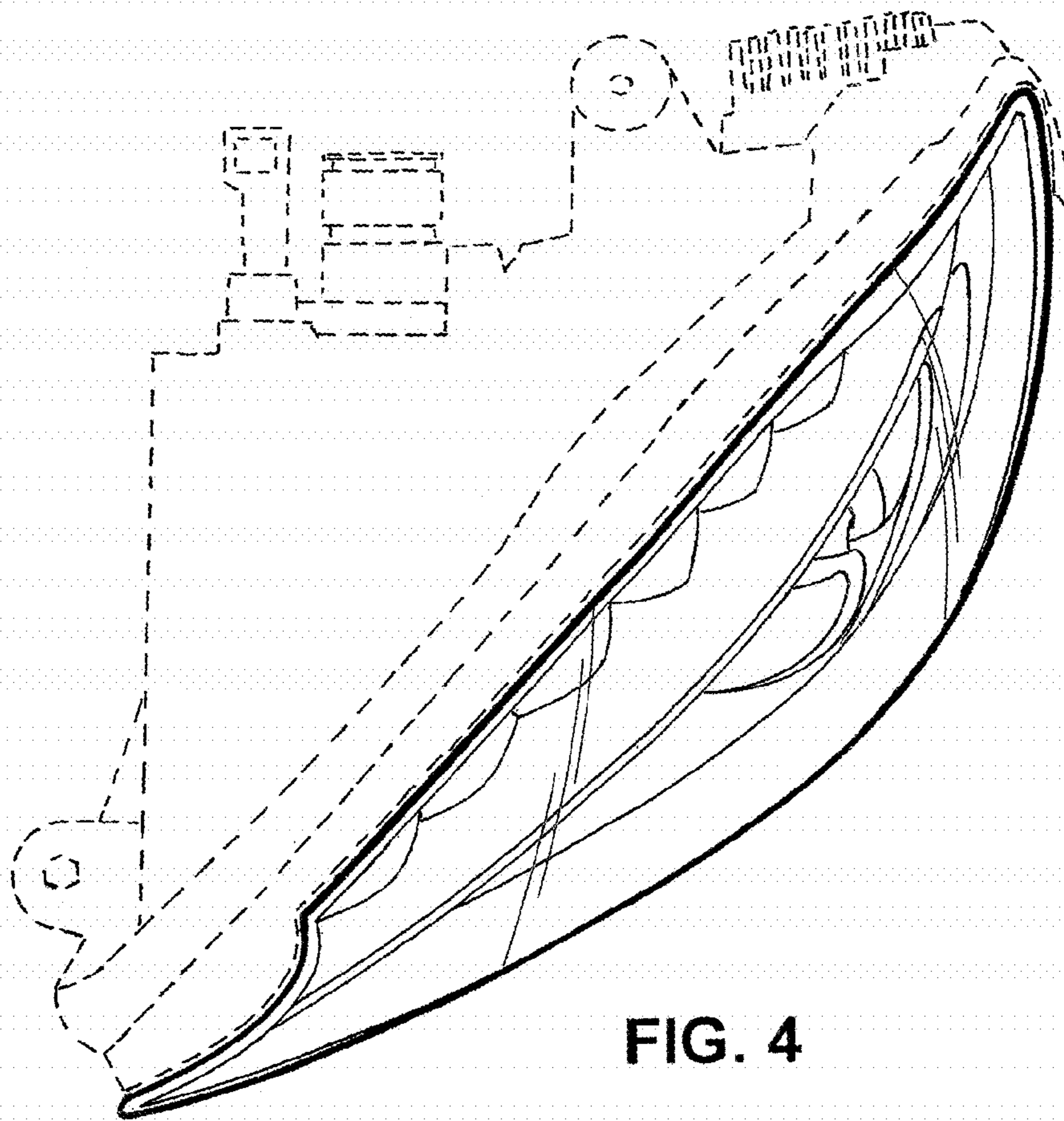


FIG. 4

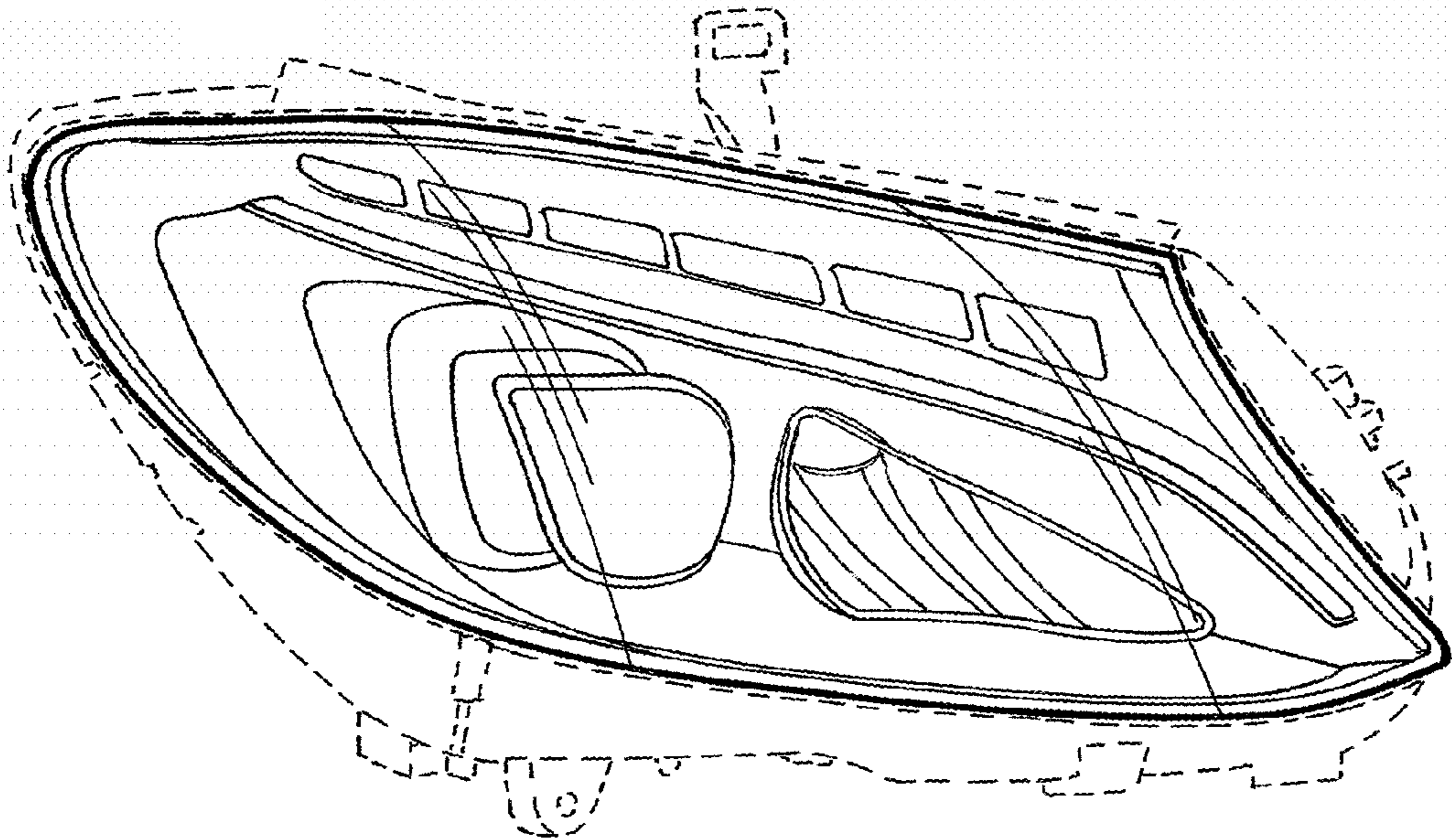


FIG. 5

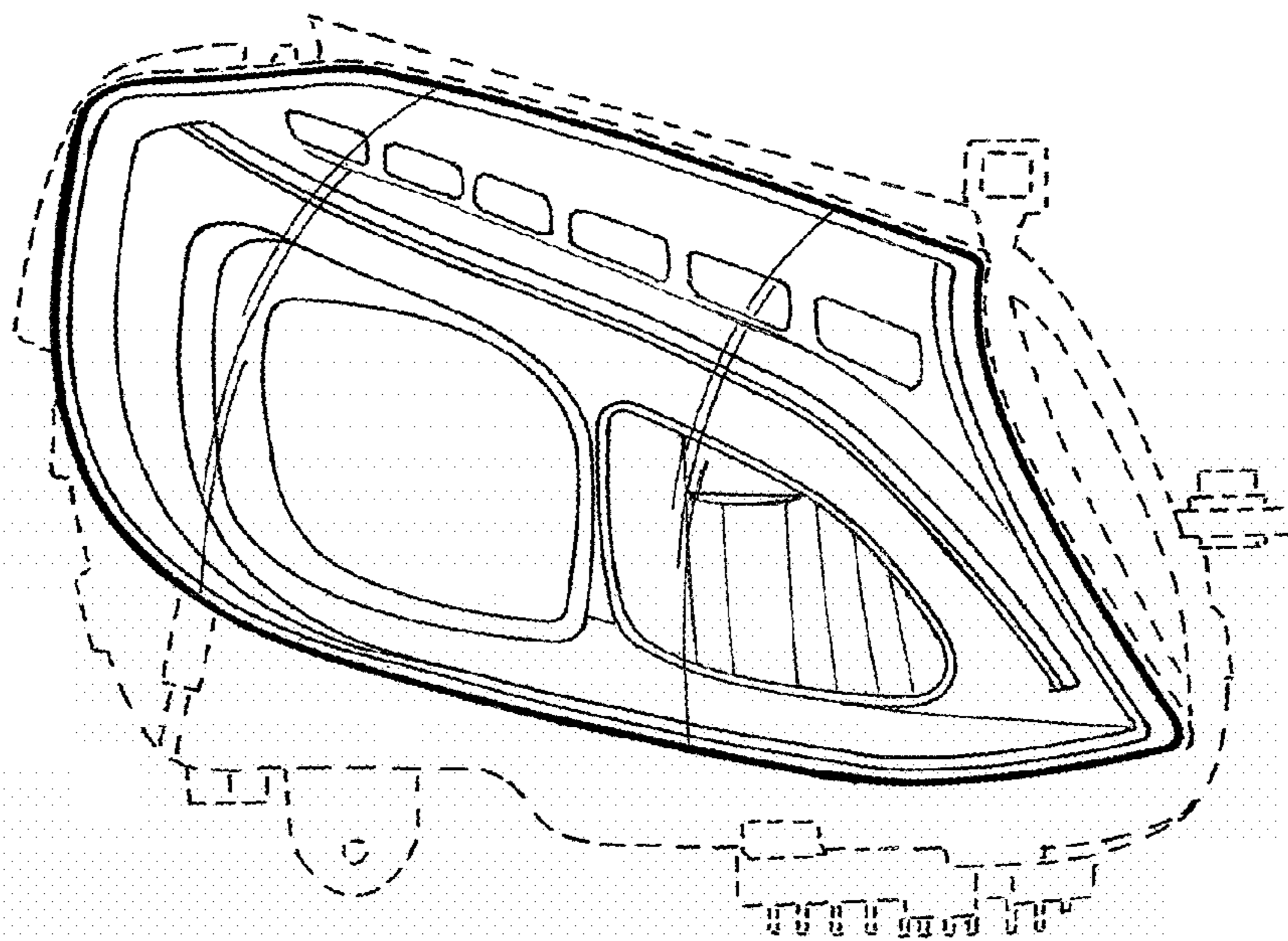


FIG. 6

