

US00D769491S

(12) **United States Design Patent**
Lai

(10) **Patent No.:** **US D769,491 S**
(45) **Date of Patent:** **** Oct. 18, 2016**

(54) **EXTERIOR SURFACE CONFIGURATION
FOR A VEHICLE HEADLIGHT**

(71) Applicant: **Ching-Tsung Lai**, Tainan (TW)

(72) Inventor: **Ching-Tsung Lai**, Tainan (TW)

(**) Term: **15 Years**

(21) Appl. No.: **29/541,729**

(22) Filed: **Oct. 7, 2015**

(51) **LOC (10) Cl.** **26-06**

(52) **U.S. Cl.**
USPC **D26/28**

(58) **Field of Classification Search**
USPC D26/28-36; 362/61, 80-83, 267-269,
362/459-468, 475-478, 485-487
CPC F21S 48/00; F21S 48/10; F21S 48/115;
F21S 48/225; F21S 48/1233; F21S 48/1266;
F21S 48/1388; F21S 48/2268; F21V 21/04
See application file for complete search history.

(56) **References Cited**

U.S. PATENT DOCUMENTS

D296,367 S * 6/1988 Karlberg D26/28
D356,169 S * 3/1995 Lyons D26/28

D493,239 S * 7/2004 Kneefel D26/28
D497,017 S * 10/2004 He D26/28
D586,012 S * 2/2009 Lin D26/28
D643,955 S * 8/2011 Tsai D26/28
D695,433 S * 12/2013 Mascadri D26/28
D709,226 S * 7/2014 DiPenti D26/28

* cited by examiner

Primary Examiner — Marcus Jackson

(57) **CLAIM**

An ornamental design for an exterior surface configuration for a vehicle headlight, as shown and described.

DESCRIPTION

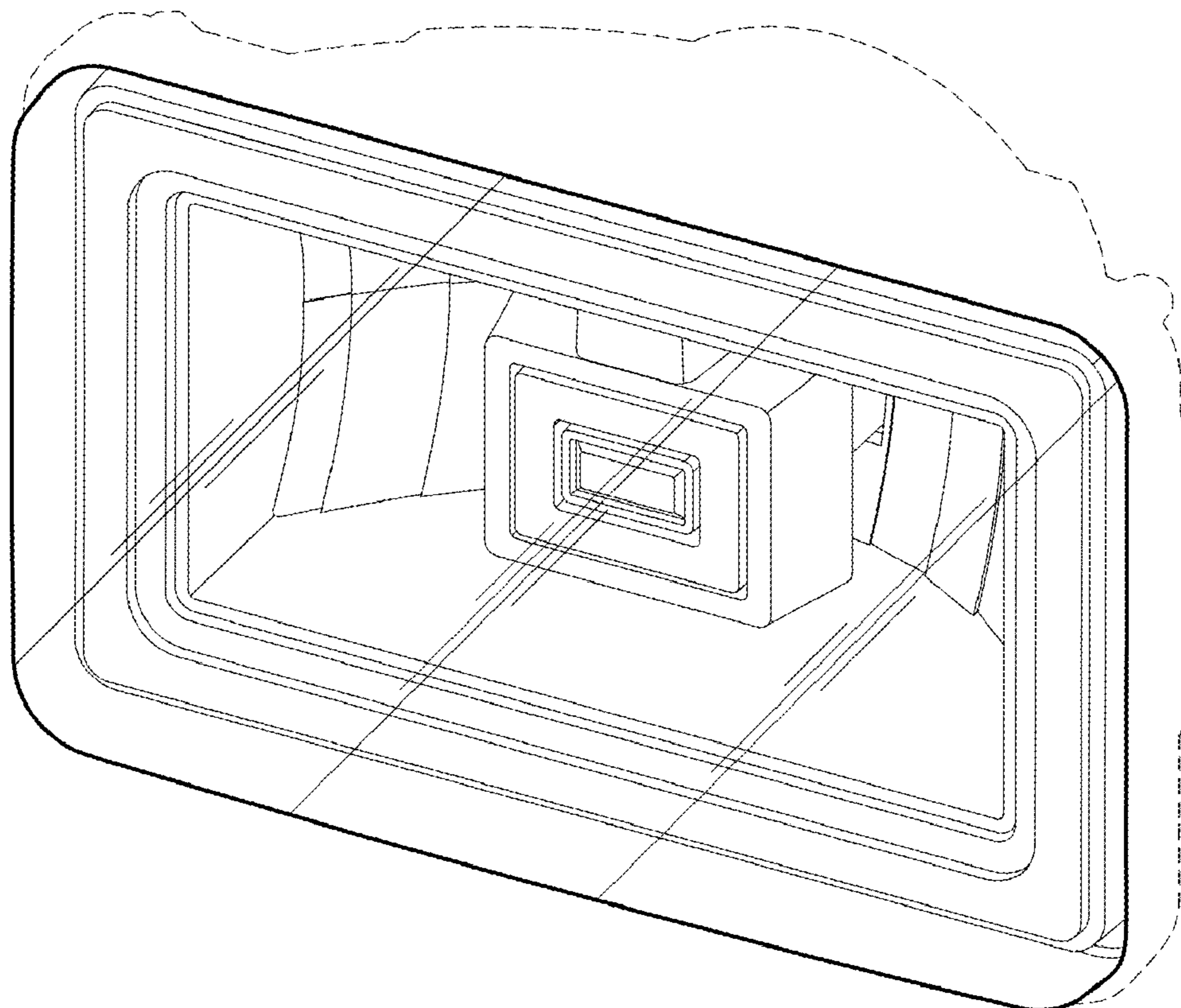
FIG. 1 is a perspective view of an exterior surface configuration for a vehicle headlight unit. The drawings and descriptions represent the left side embodiment. The design also contemplates a mirror symmetrical embodiment on the opposite side of the vehicle. The dash line included denotes environment and is not part of the claimed design.

FIG. 2 is a front view thereof;

FIG. 3 is a side view thereof; and,

FIG. 4 is a top view thereof.

1 Claim, 4 Drawing Sheets



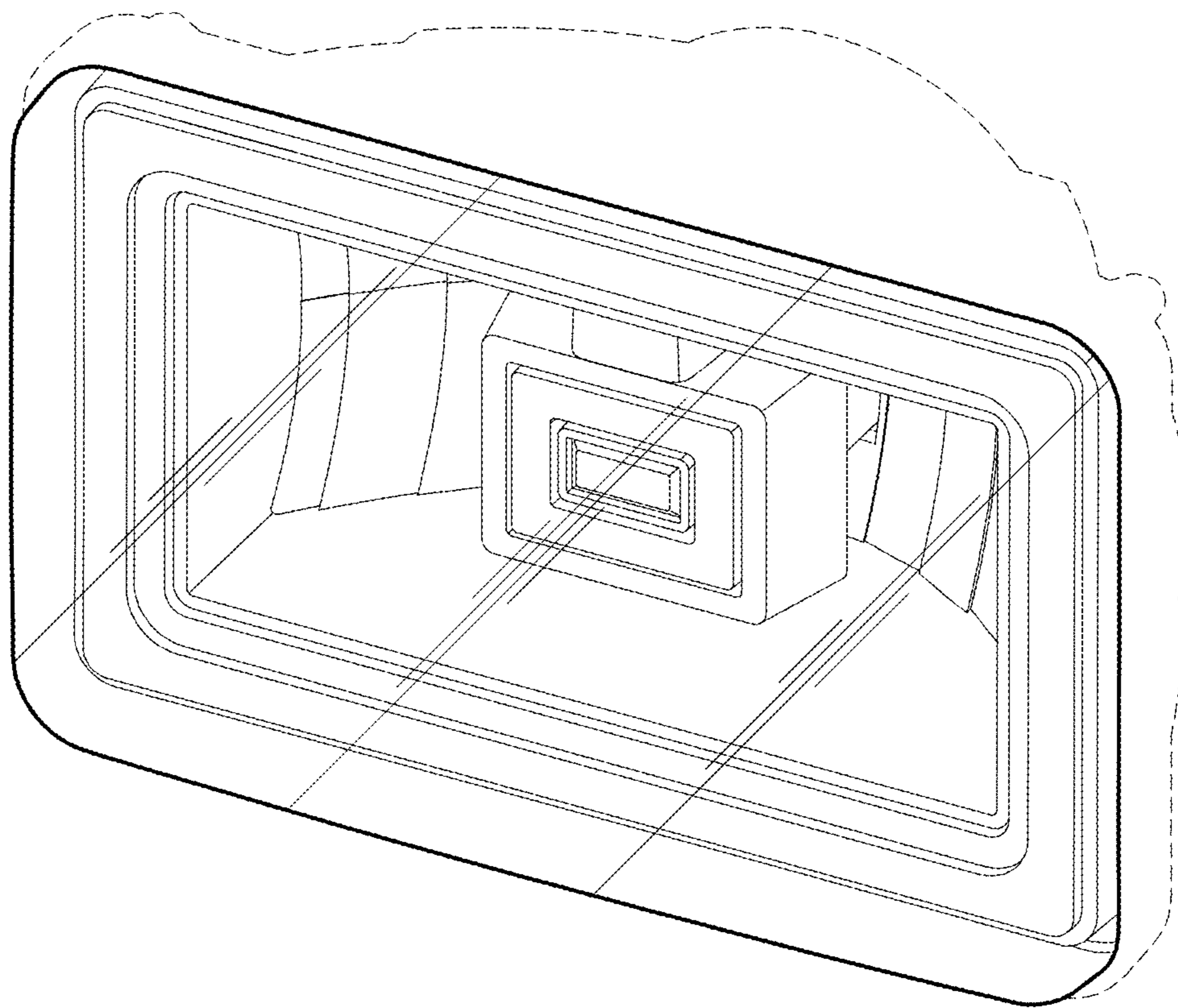


FIG. 1

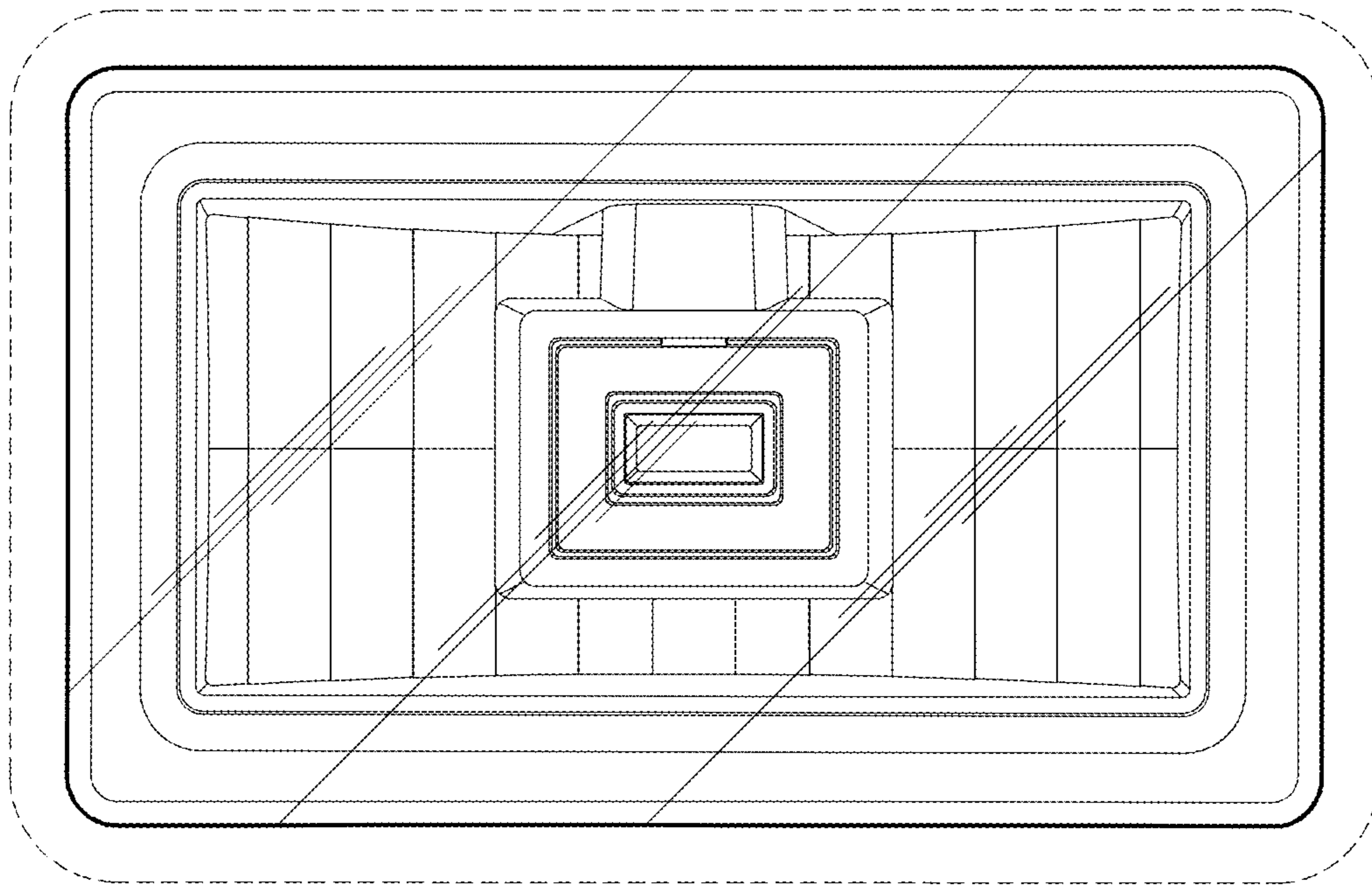


FIG. 2

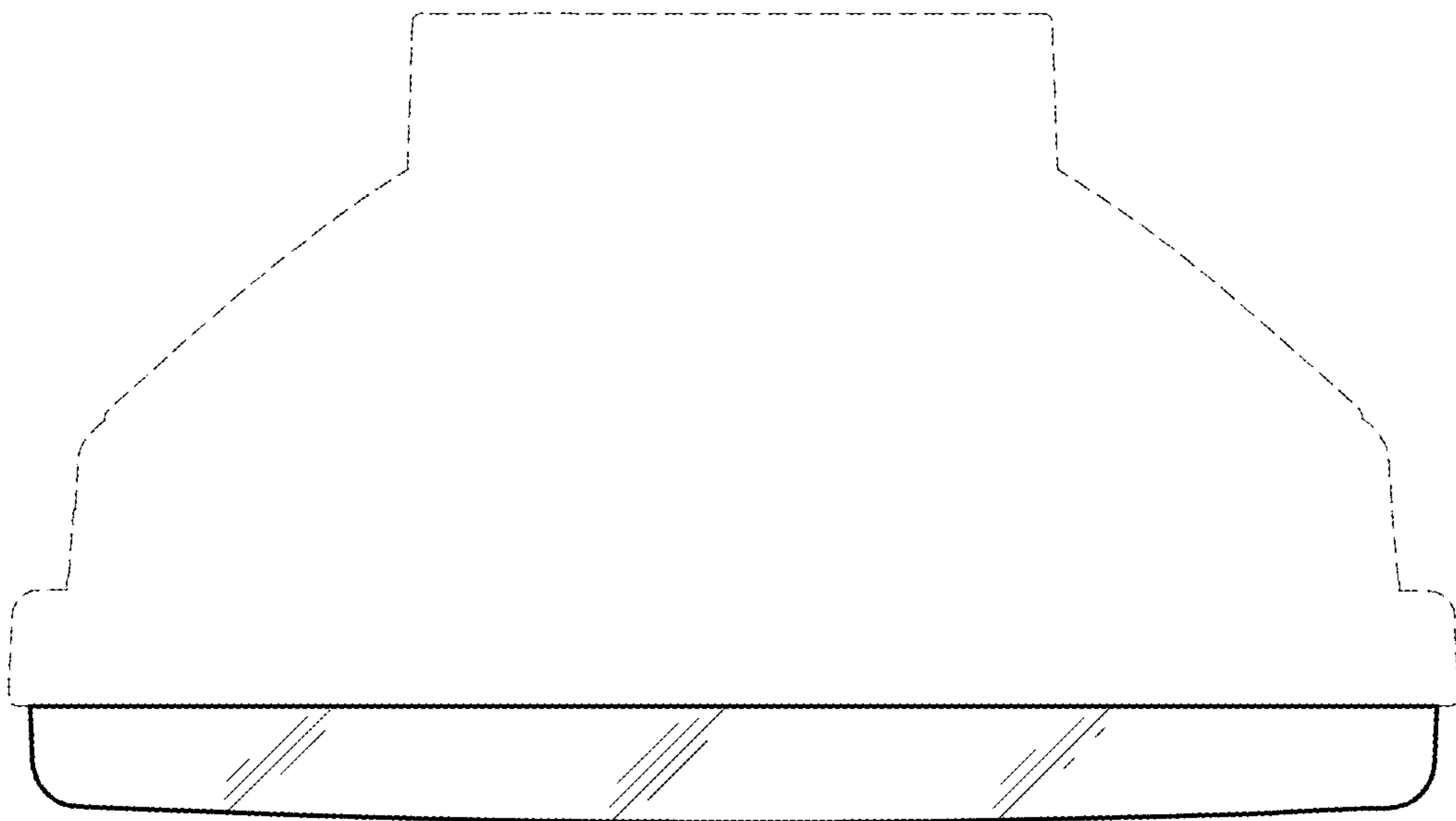


FIG. 3

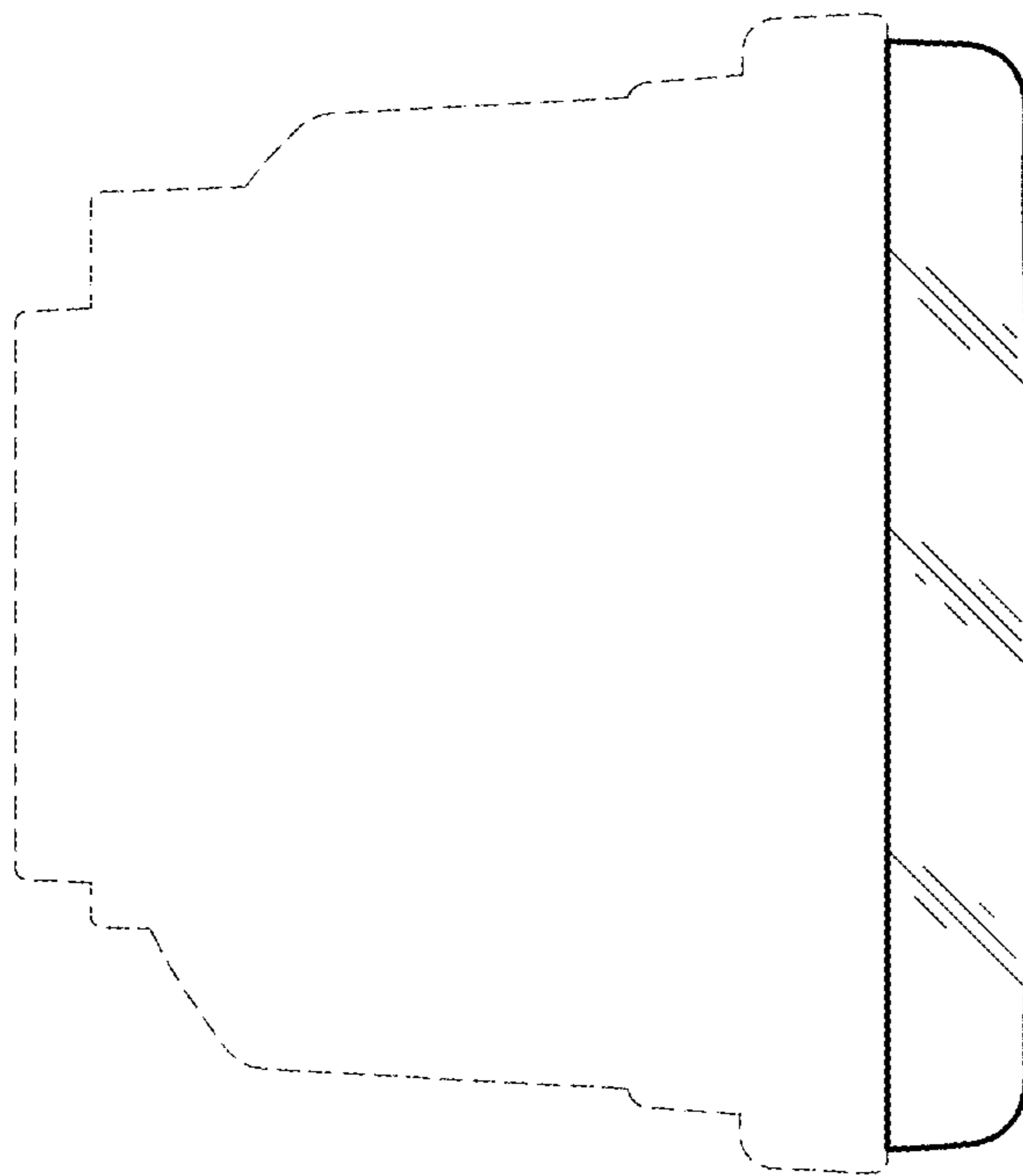


FIG. 4