



US00D769486S

(12) **United States Design Patent** (10) **Patent No.:** **US D769,486 S**
Ma (45) **Date of Patent:** **** Oct. 18, 2016**

(54) **FRONT LIGHT FOR A VEHICLE** D578,678 S * 10/2008 Huang D26/28
D592,778 S * 5/2009 Chang D26/28
(71) Applicant: **Foshan Tuff Plus Auto Lighting Co.,** D606,682 S * 12/2009 Chang D26/28
Ltd., Foshan, Guangdong (CN) D645,177 S * 9/2011 Okuda D12/345
D720,483 S * 12/2014 Saddig D26/28

(72) Inventor: **Yong Ma, Guangdong (CN)** * cited by examiner
(73) Assignee: **Foshan Tuff Plus Auto Lighting Co.,** *Primary Examiner* — Marcus Jackson
Ltd., Foshan, Guangdong (CN) (74) *Attorney, Agent, or Firm* — Sand & Sebolt

(**) Term: **15 Years**

(21) Appl. No.: **29/537,745** (57) **CLAIM**

(22) Filed: **Aug. 28, 2015** The ornamental design for a front light for a vehicle, as shown and described.

(51) **LOC (10) Cl.** **26-06**

(52) **U.S. Cl.**
USPC **D26/28**

(58) **Field of Classification Search**
USPC D26/28-36; 362/459-468, 475-478, 362/485-487
CPC F21S 48/00; F21S 48/10; F21S 48/115; F21S 48/225; F21S 48/1233; F21S 48/1266; F21S 48/1388; F21S 48/2268; F21V 21/04
See application file for complete search history.

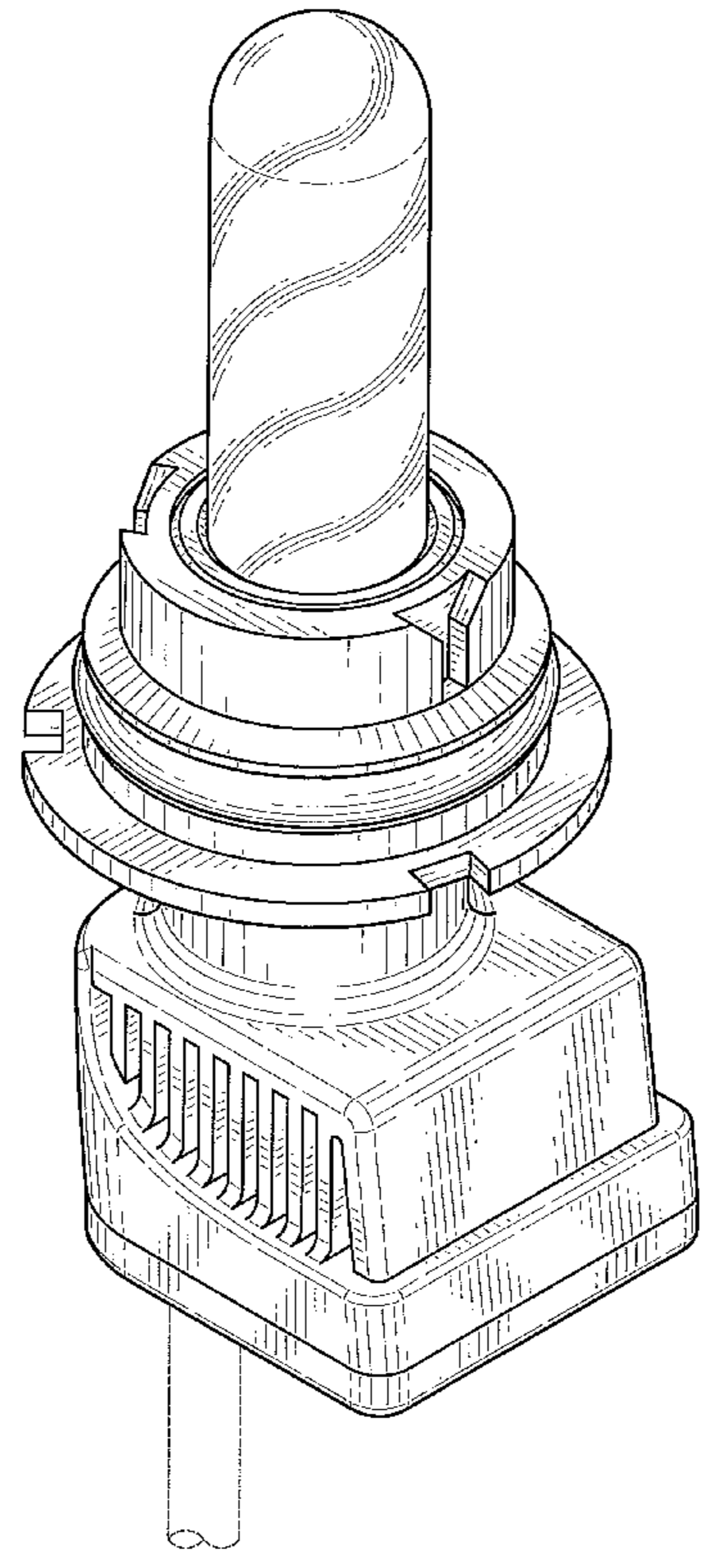
(56) **References Cited**
U.S. PATENT DOCUMENTS

D547,889 S * 7/2007 Huang D26/28
D570,012 S * 5/2008 Huang D26/28

DESCRIPTION

FIG. 1 is an isometric perspective view of a front light for a vehicle in accordance with my design;
FIG. 2 is a front elevation thereof;
FIG. 3 is a rear elevation thereof;
FIG. 4 is a top plan view thereof;
FIG. 5 is a bottom plan view thereof;
FIG. 6 is a left side elevation thereof; and,
FIG. 7 is a right side elevation thereof.
The broken lines illustrate portions of the front light for a vehicle which form no part of the claimed design.

1 Claim, 6 Drawing Sheets



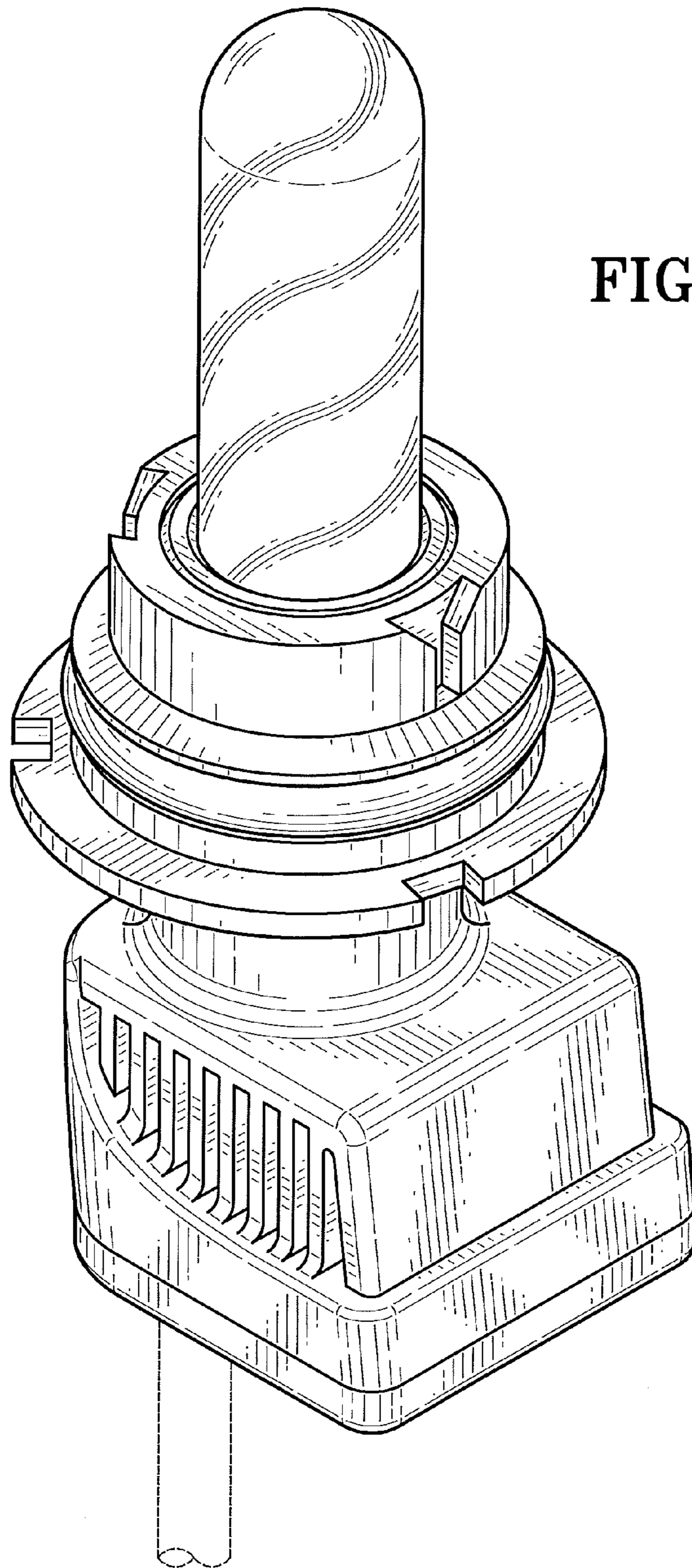


FIG-1

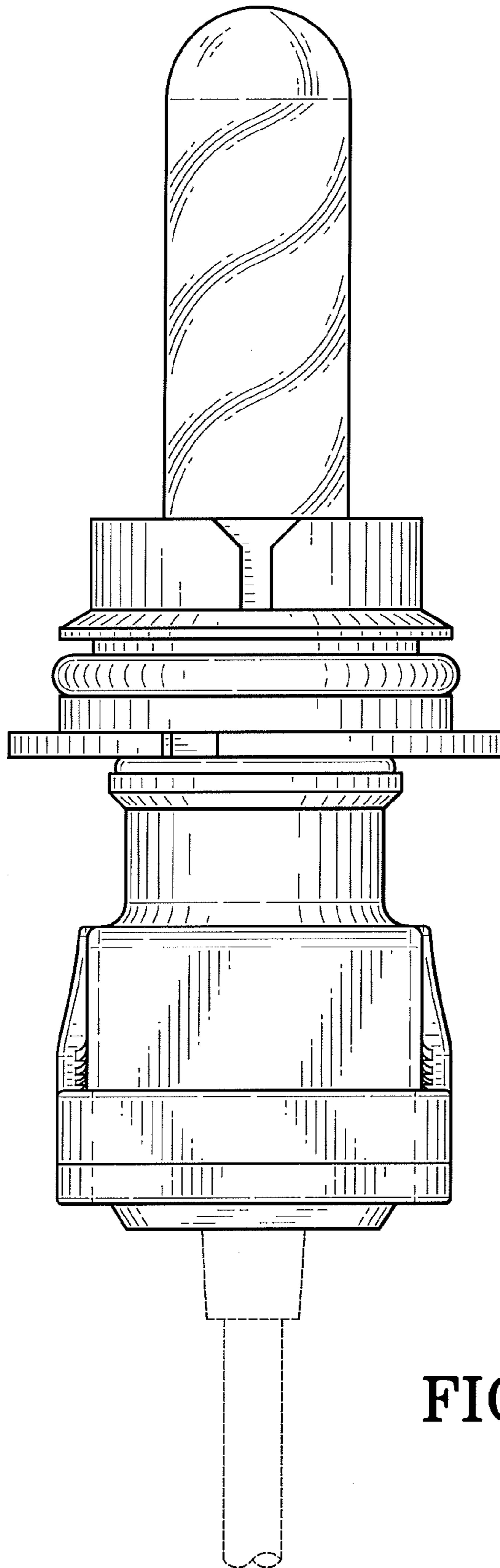


FIG-2

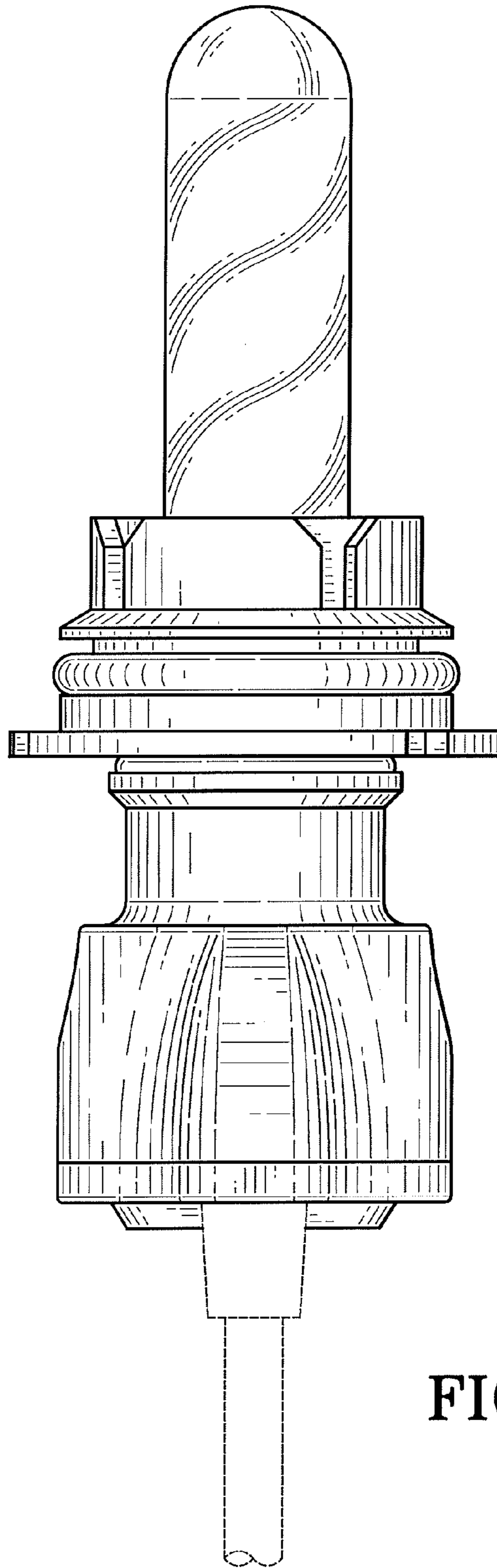


FIG-3

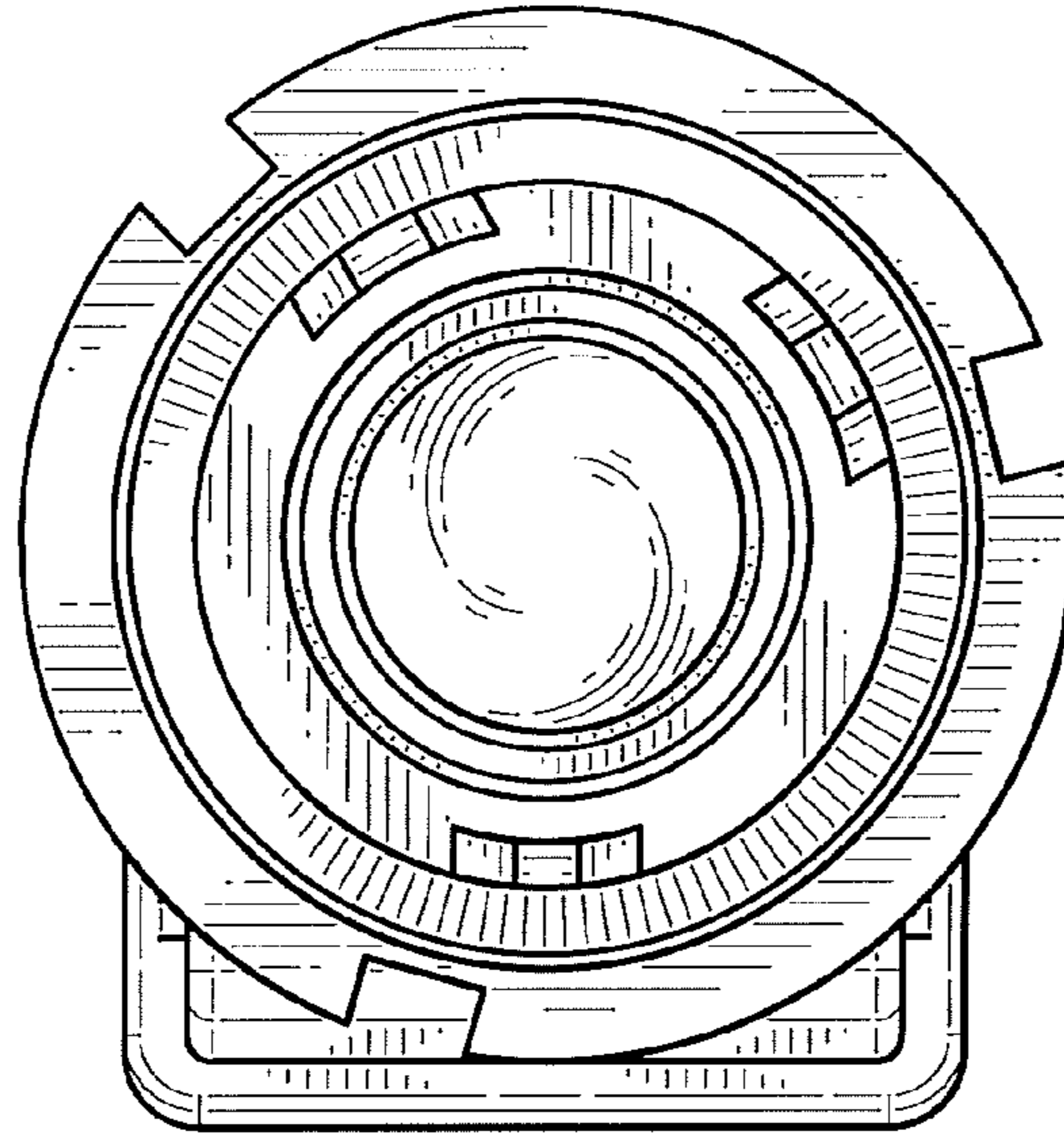


FIG-4

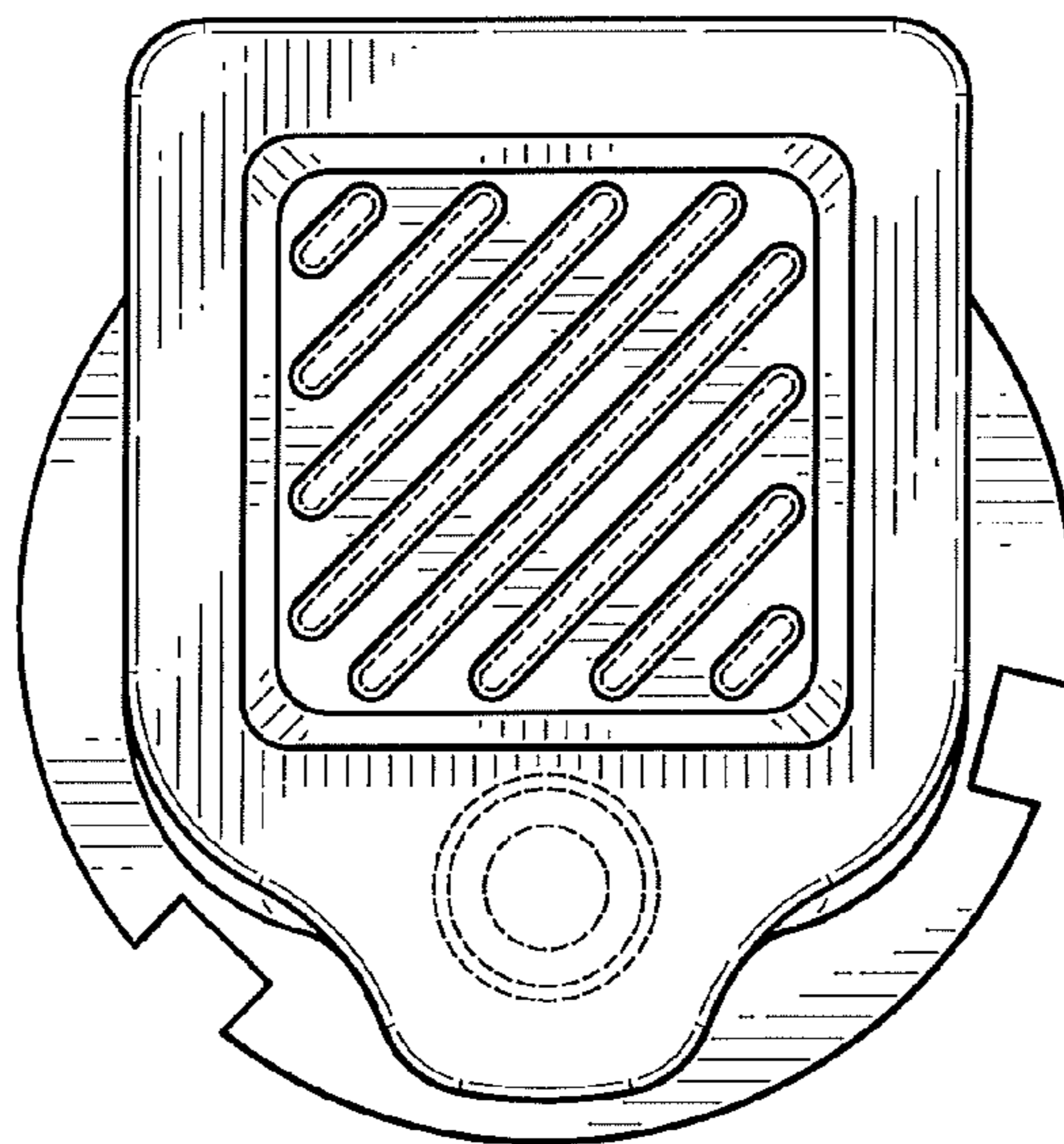


FIG-5

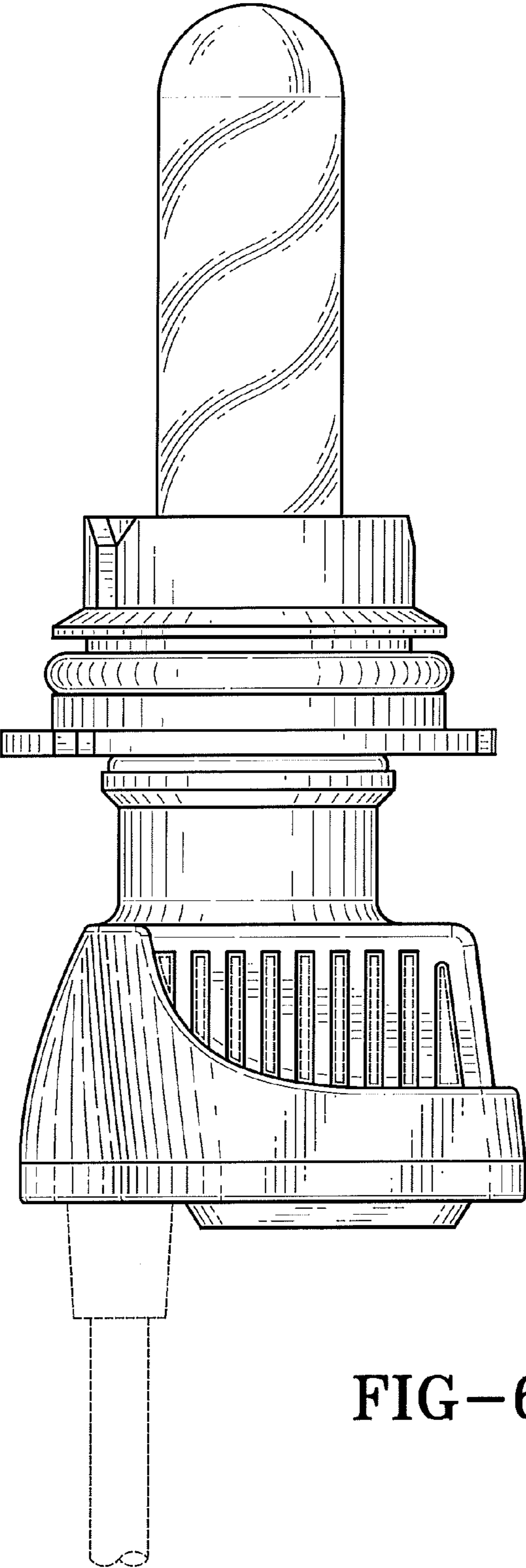


FIG-6

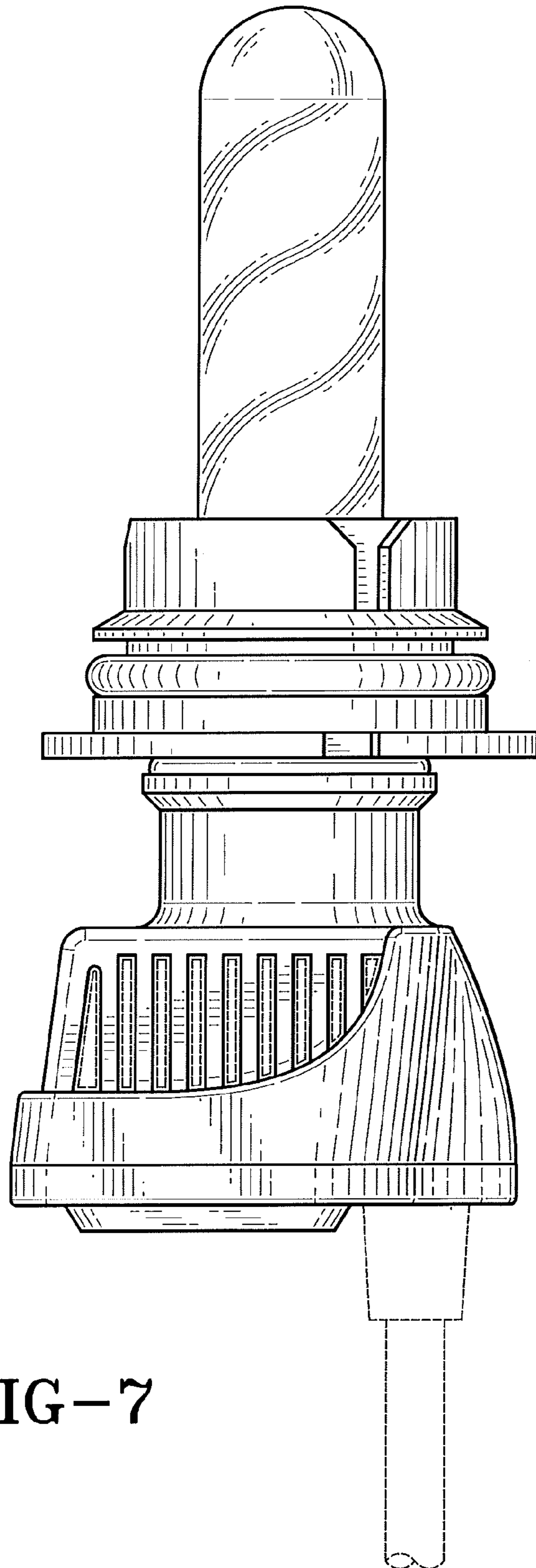


FIG-7