



US00D769481S

(12) **United States Design Patent**
Lai

(10) **Patent No.:** **US D769,481 S**
(45) **Date of Patent:** **** Oct. 18, 2016**

- (54) **AUTOMOBILE FRONT LIGHT**
- (71) Applicant: **Ching-Tsung Lai**, Tainan (TW)
- (72) Inventor: **Ching-Tsung Lai**, Tainan (TW)
- (**) Term: **15 Years**
- (21) Appl. No.: **29/534,434**
- (22) Filed: **Jul. 28, 2015**
- (51) **LOC (10) Cl.** **26-06**
- (52) **U.S. Cl.**
USPC **D26/28**
- (58) **Field of Classification Search**
USPC D26/28-36; 362/459-468, 475-478,
362/485-487
CPC F21S 48/00; F21S 48/10; F21S 48/115;
F21S 48/225; F21S 48/1233; F21S 48/1266;
F21S 48/1388; F21S 48/2268; F21V 21/04
See application file for complete search history.

D711,023 S *	8/2014	Wu	D26/28
D712,079 S *	8/2014	DiPenti	D26/28
D739,577 S *	9/2015	Kani	D26/28
D739,581 S *	9/2015	Huang	D26/28
D741,528 S *	10/2015	Glover	D26/28
D744,676 S *	12/2015	Lai	D26/28
D747,517 S *	1/2016	Lai	D26/28
D747,524 S *	1/2016	Jacq	D26/63
D757,969 S *	5/2016	Fan	D26/28
D760,407 S *	6/2016	Yang	D26/28

* cited by examiner

Primary Examiner — Angela J Lee

(57) **CLAIM**
The ornamental design for an automobile front light, as shown and described.

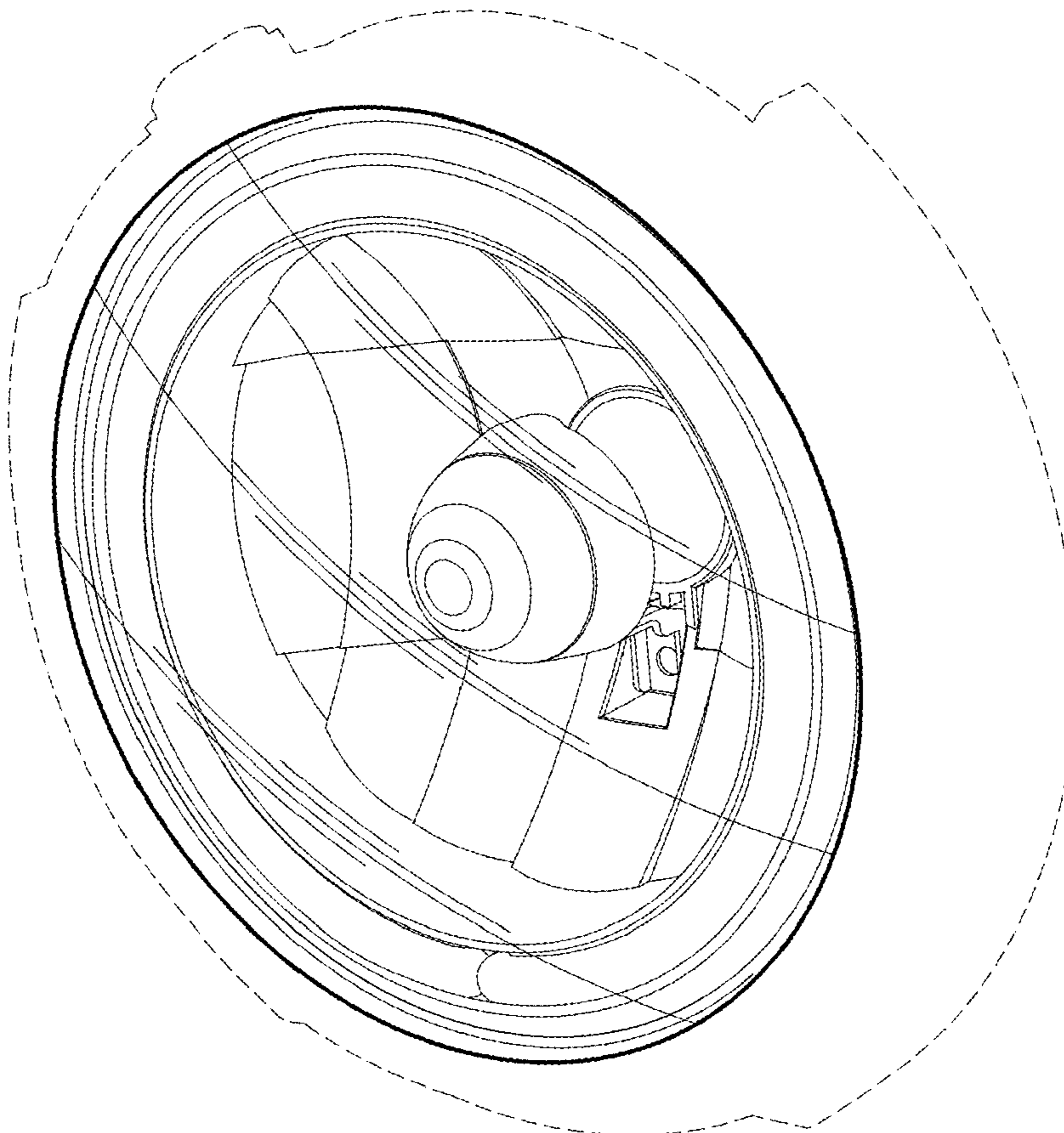
DESCRIPTION

FIG. 1 is a perspective view of an automobile front light. The drawings and descriptions represent the left side embodiment. The design also contemplates a mirror symmetrical embodiment on the opposite side of the vehicle. The dash line included denotes environment and is not part of the claimed design.

FIG. 2 is a front view thereof;
FIG. 3 is a side view thereof; and,
FIG. 4 is a top view thereof.

1 Claim, 4 Drawing Sheets

- (56) **References Cited**
U.S. PATENT DOCUMENTS
D578,685 S * 10/2008 Manus D26/28
D708,373 S * 7/2014 Kani D26/28



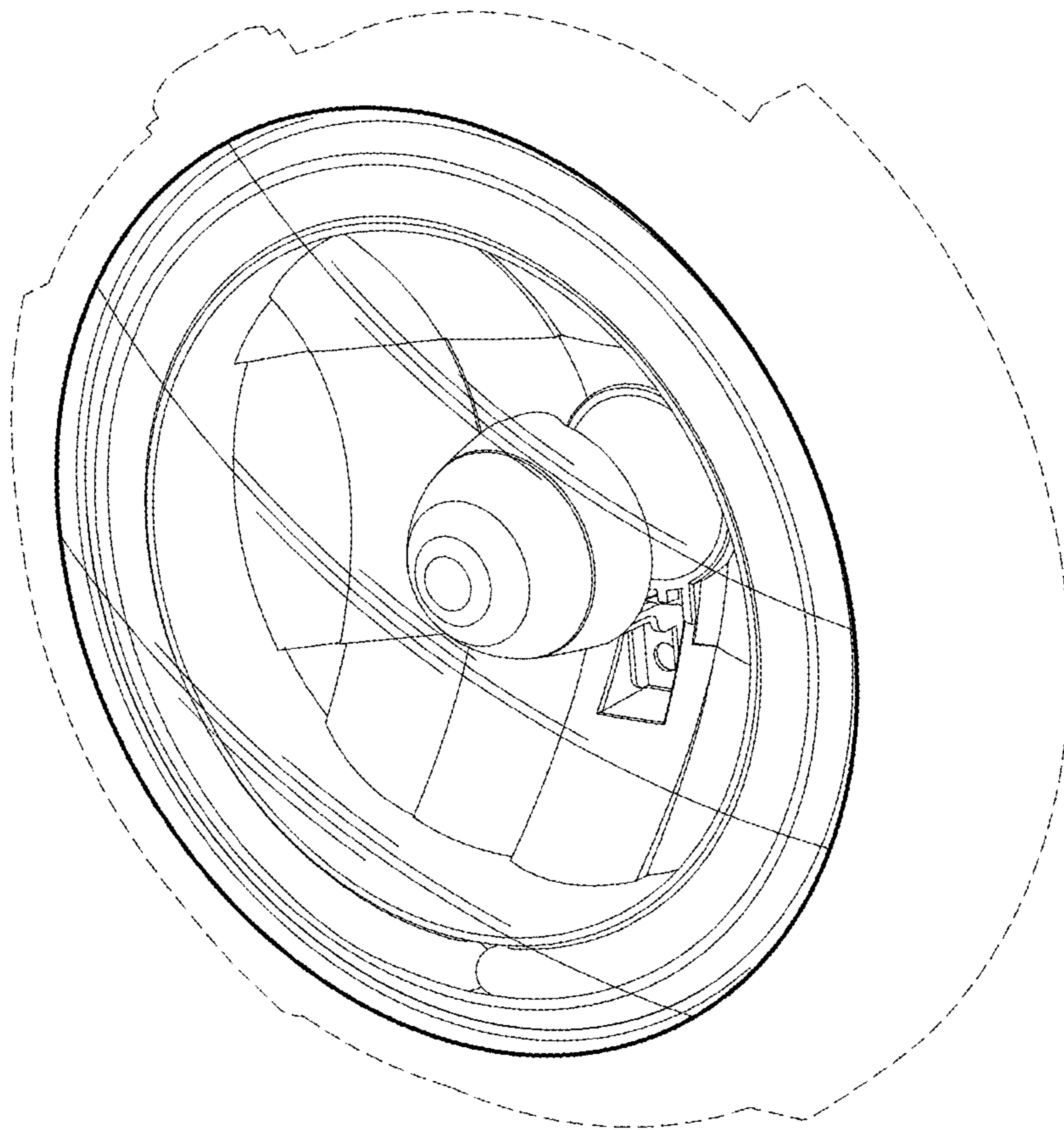


FIG. 1

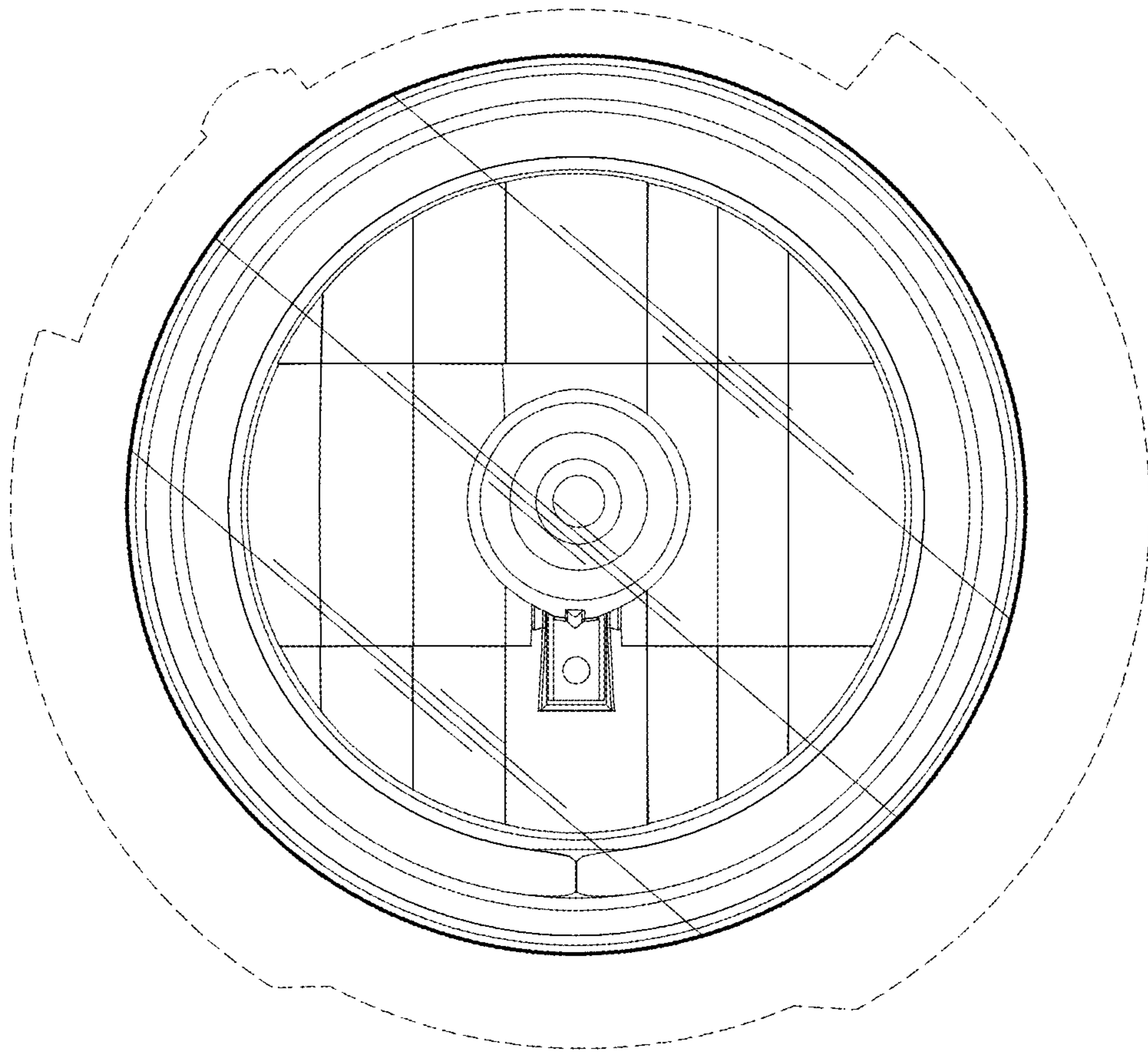


FIG. 2

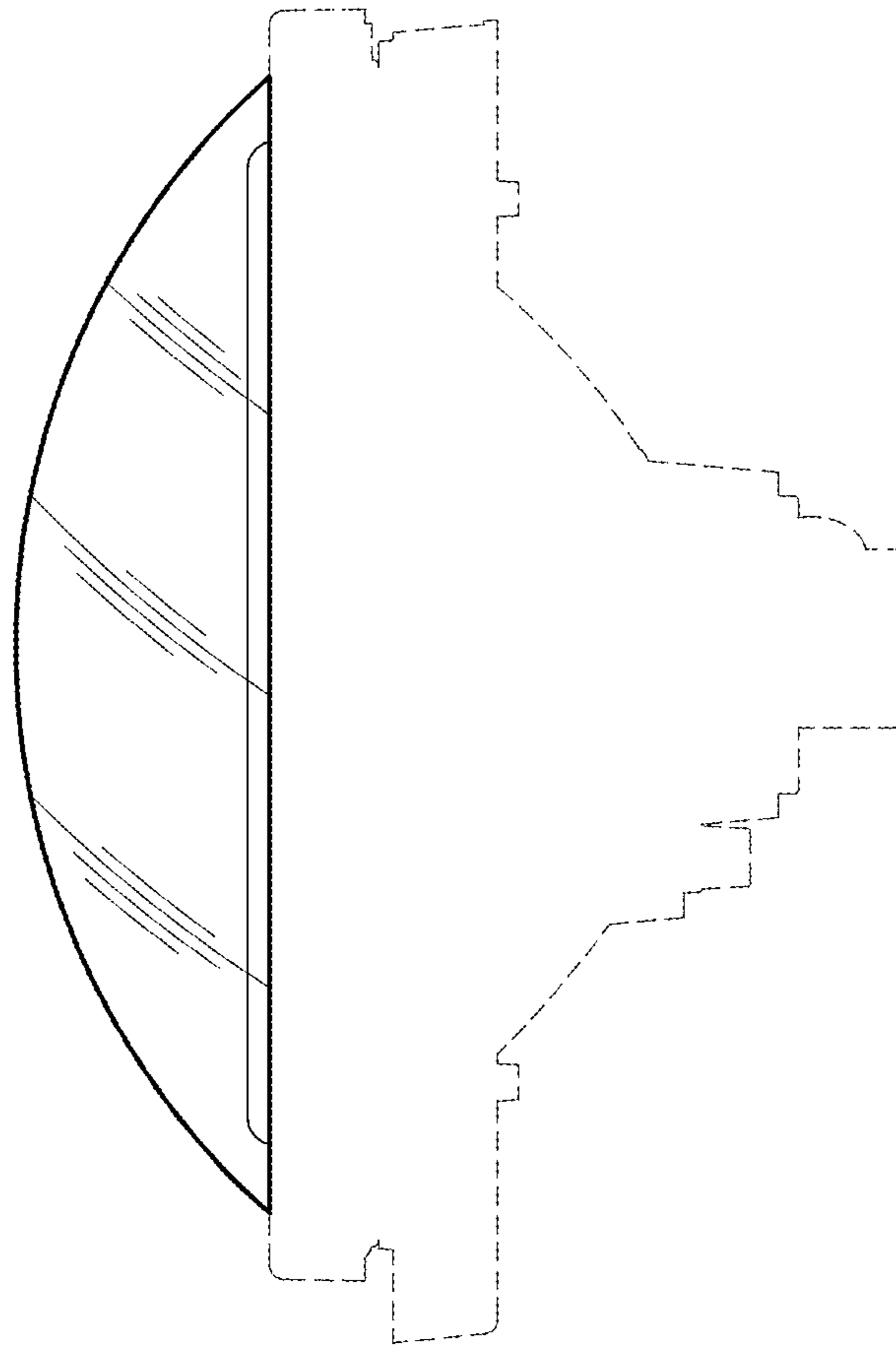


FIG. 3

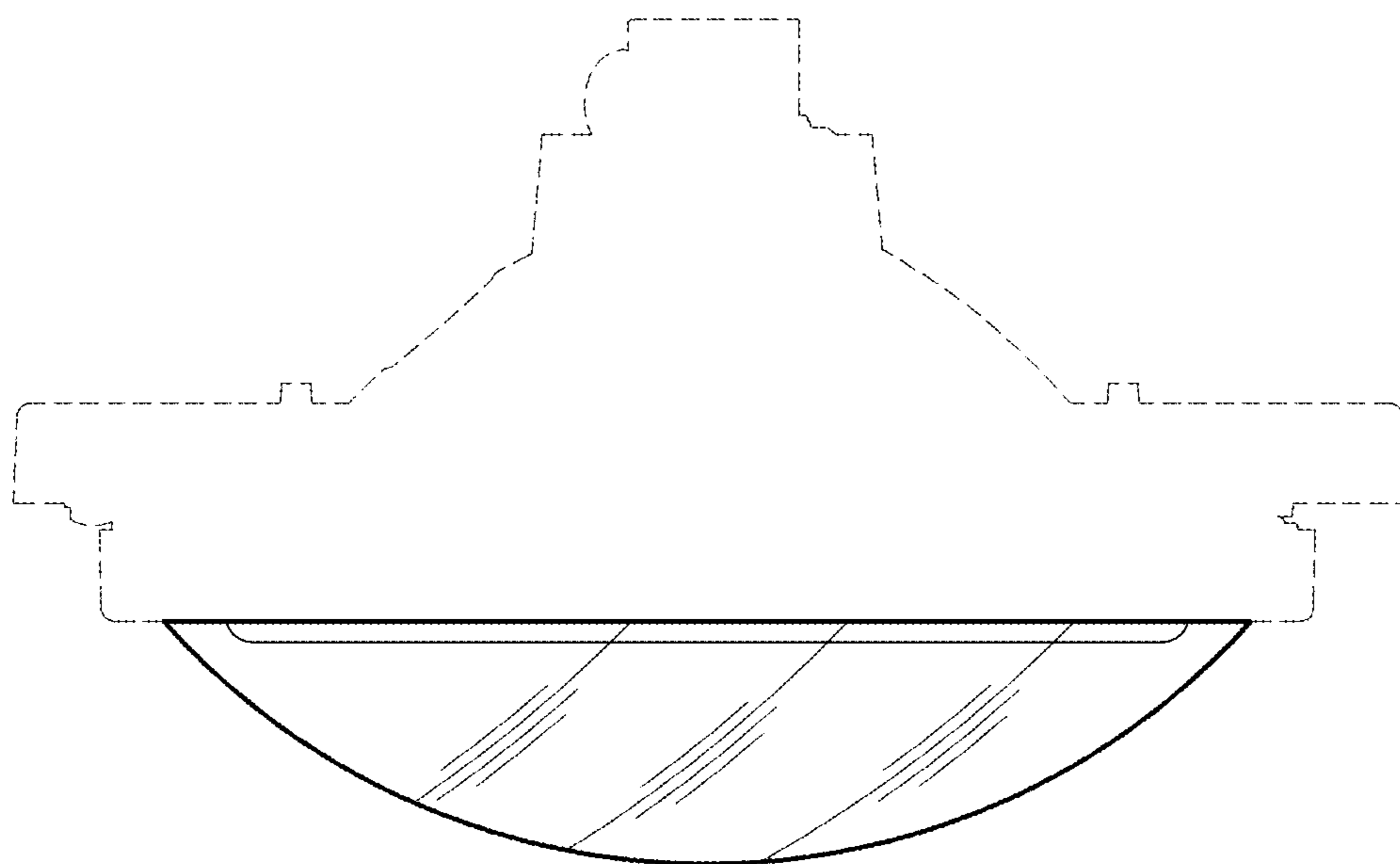


FIG. 4