



US00D769479S

(12) **United States Design Patent**  
**Dubosc**

(10) **Patent No.:** **US D769,479 S**  
(45) **Date of Patent:** **\*\* Oct. 18, 2016**

(54) **MODULE FOR A VEHICLE LAMP**

(71) Applicant: **VALEO VISION**, Bobigny (FR)  
(72) Inventor: **Christophe Dubosc**, Villemomble (FR)  
(73) Assignee: **Valeo Vision**, Bobigny (FR)  
(\*\*) Term: **14 Years**

(21) Appl. No.: **29/512,531**  
(22) Filed: **Dec. 19, 2014**

(30) **Foreign Application Priority Data**

Jun. 27, 2014 (EM) ..... 002492389

(51) **LOC (10) Cl.** ..... **26-06**

(52) **U.S. Cl.**  
USPC ..... **D26/28**

(58) **Field of Classification Search**  
USPC ..... D26/28-36; 362/61, 80-83, 267-269,  
362/459-468, 475-478, 485-487  
CPC ..... H01J 5/48; H01J 5/50; H01J 19/54;  
F21V 5/00; F21V 33/00; F21V 14/025;  
F21V 21/406

See application file for complete search history.

(56) **References Cited**

U.S. PATENT DOCUMENTS

D567,413 S \* 4/2008 Chang ..... D26/28  
D620,159 S \* 7/2010 Beigel ..... D26/28  
D709,212 S \* 7/2014 Peltola ..... D26/28

\* cited by examiner

*Primary Examiner* — Marcus Jackson

(74) *Attorney, Agent, or Firm* — Jacox, Meckstroth & Jenkins

(57) **CLAIM**

The ornamental design for module for a vehicle lamp, as shown and described.

**DESCRIPTION**

FIG. 1 is a front view of a module for a vehicle lamp;  
FIG. 2 is a back view of the module for a vehicle lamp;  
FIG. 3 is a top view of the module for a vehicle lamp;  
FIG. 4 is a bottom view of the module for a vehicle lamp;  
FIG. 5 is a right view of the module for a vehicle lamp;  
FIG. 6 is a left view of the module for a vehicle lamp; and,  
FIG. 7 is an isometric view of the module for a vehicle lamp.

**1 Claim, 7 Drawing Sheets**

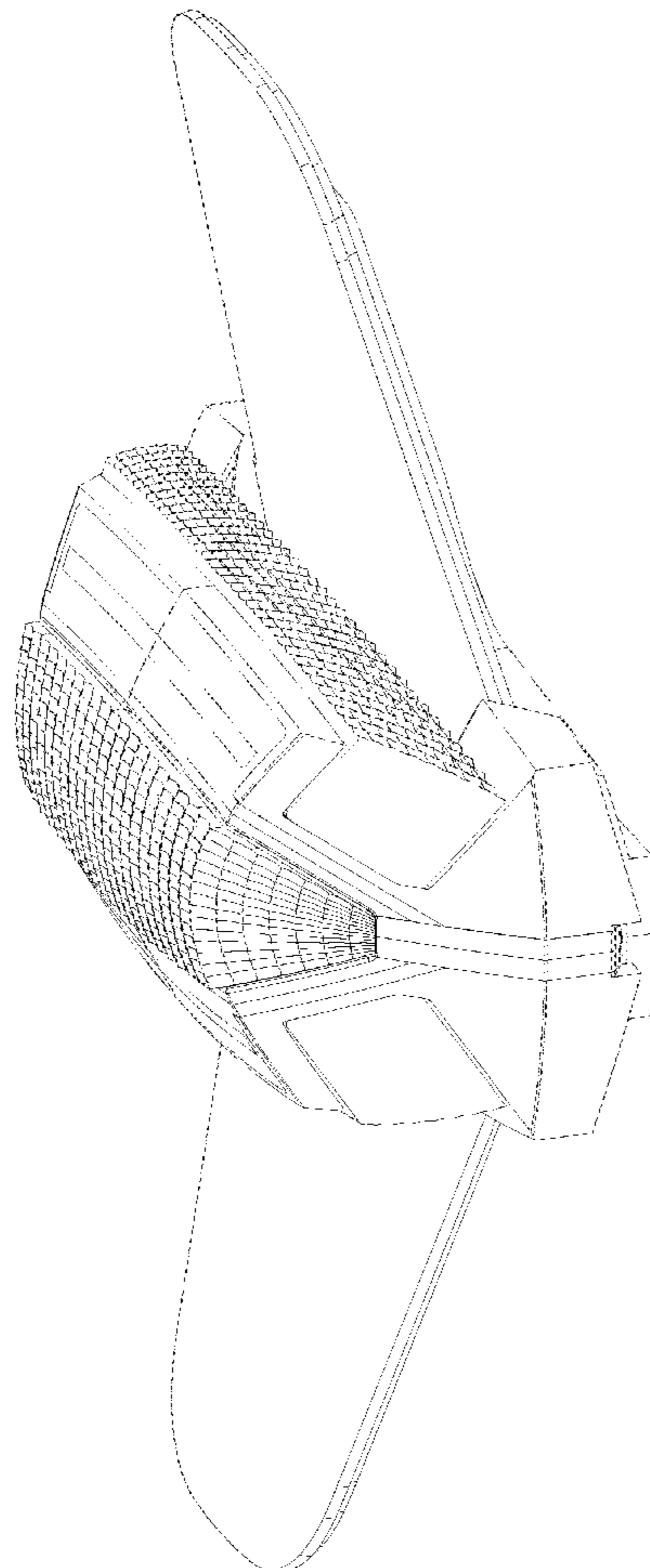


FIG. 1

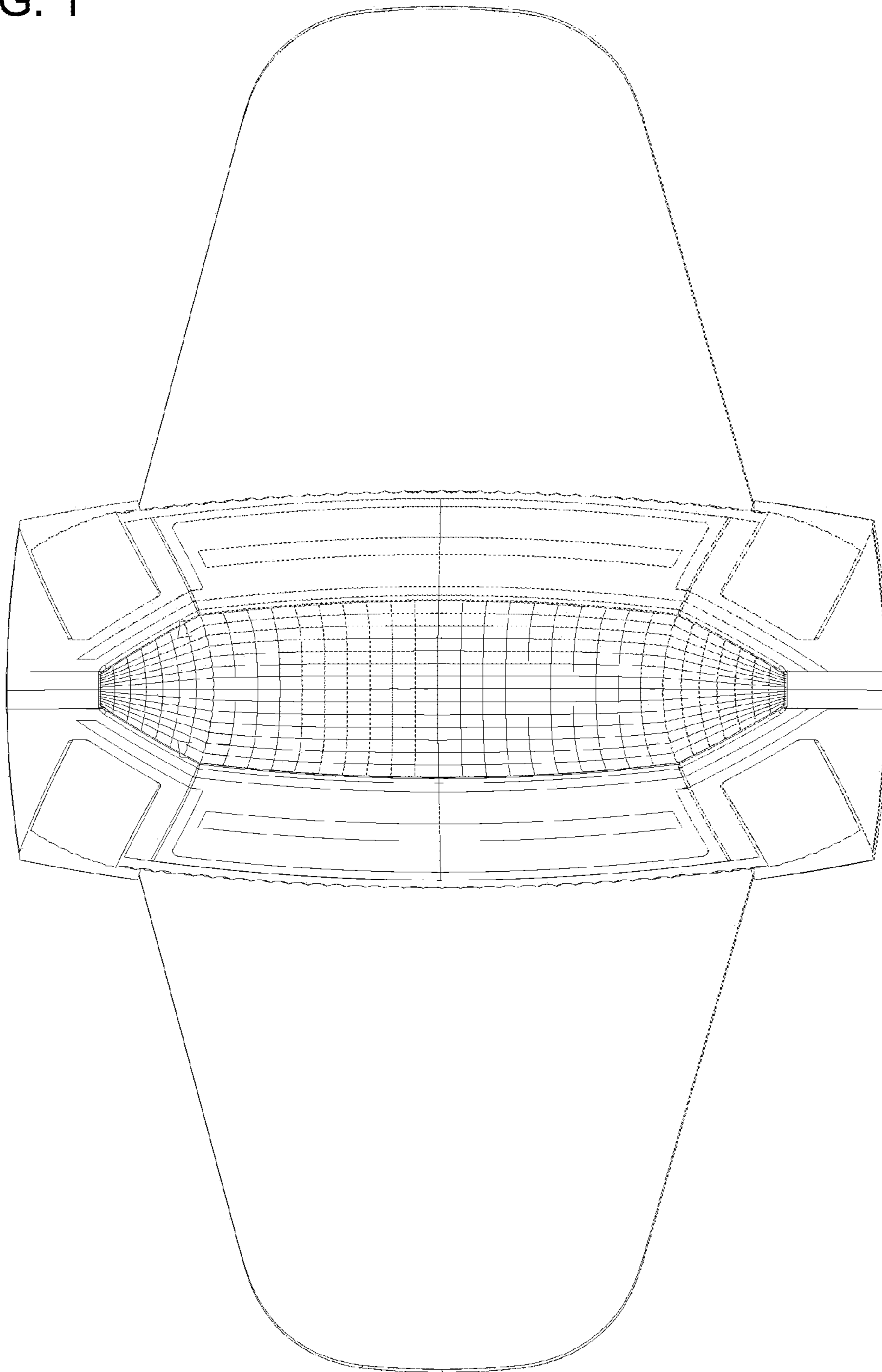


FIG. 2

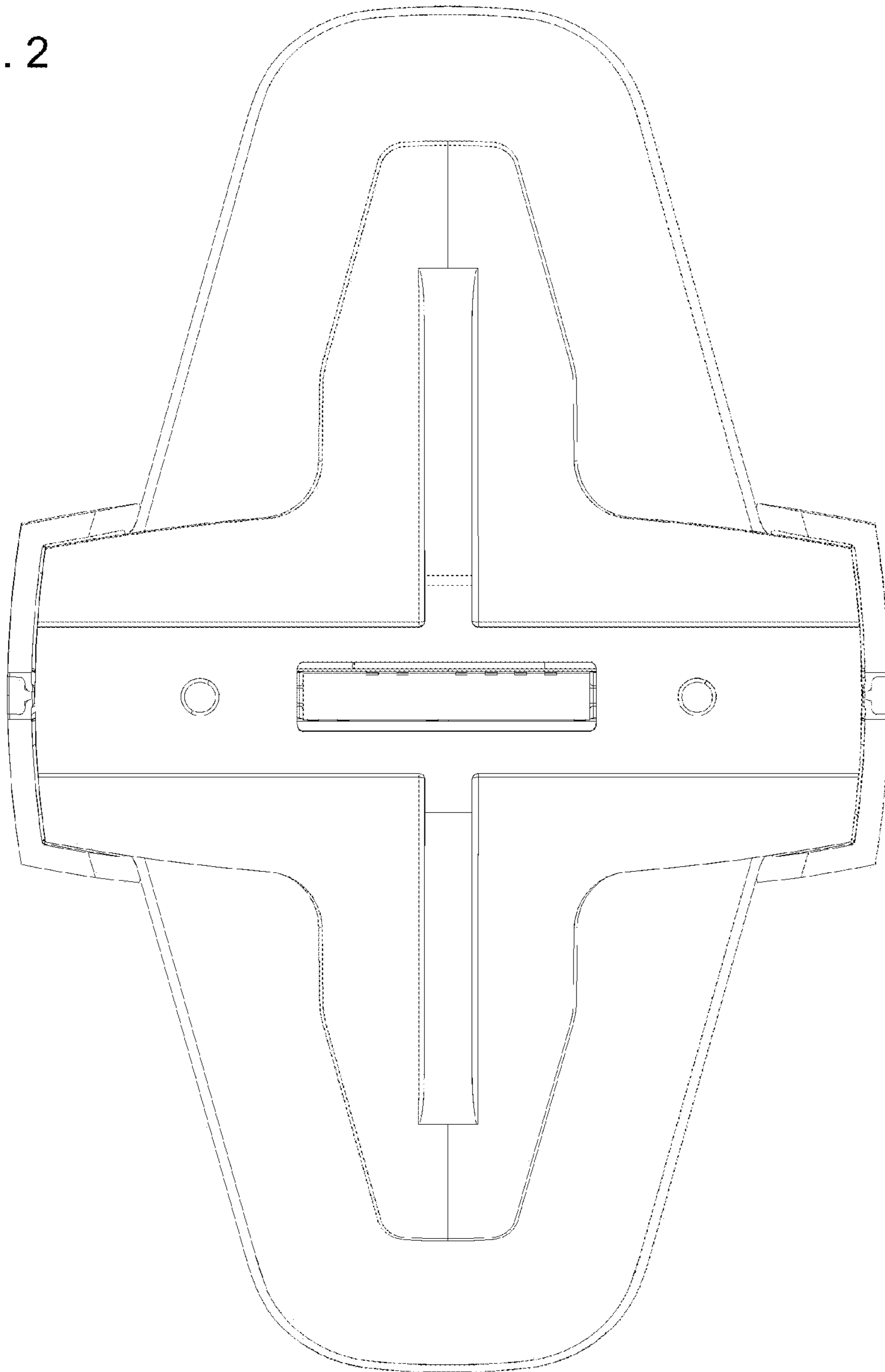


FIG. 3

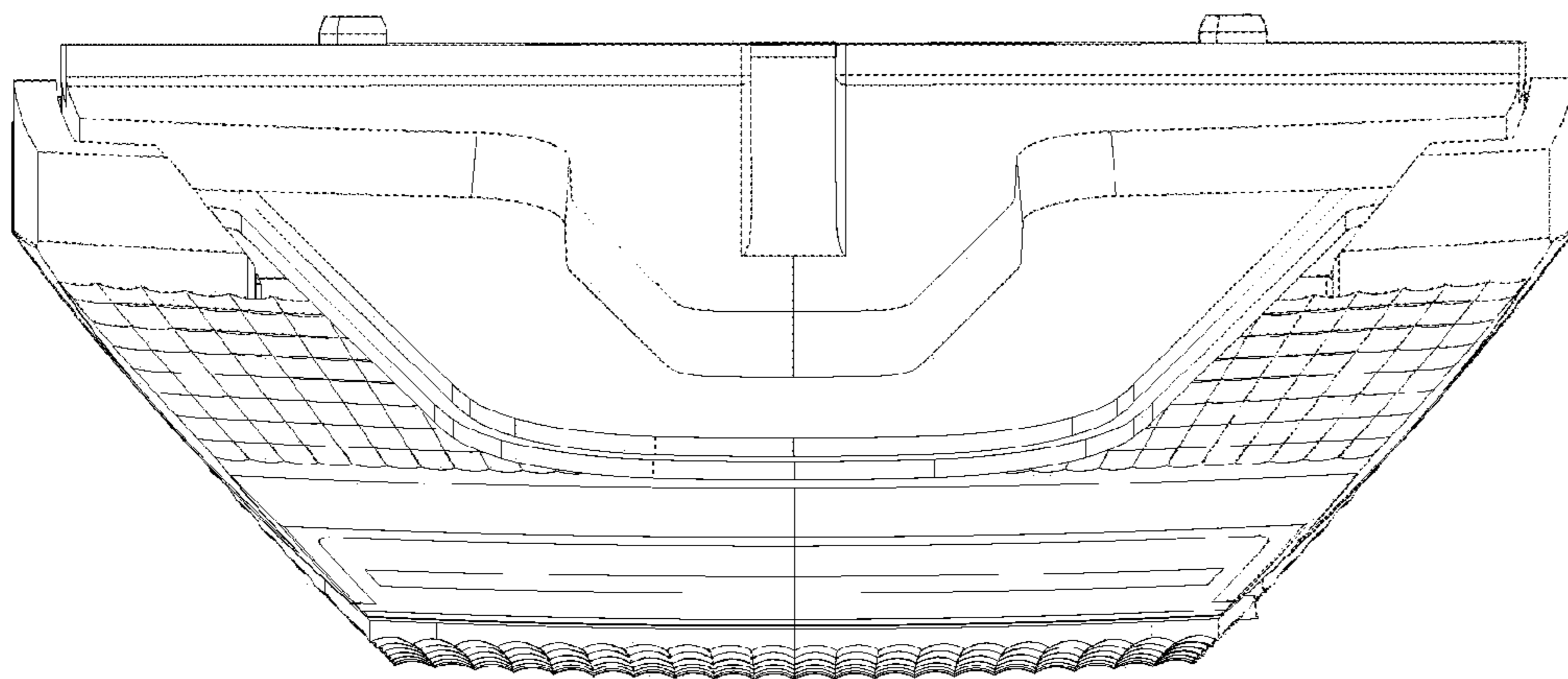


FIG. 4

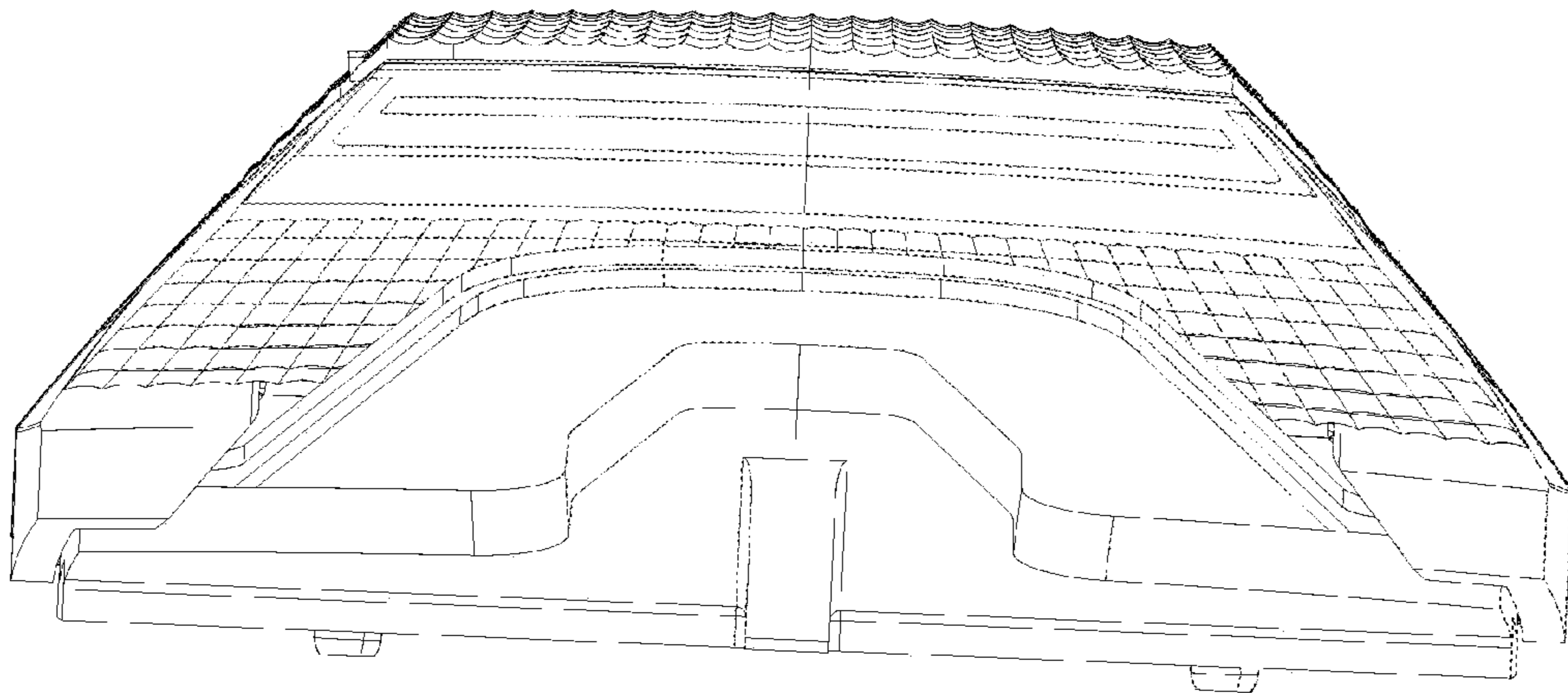


FIG. 5

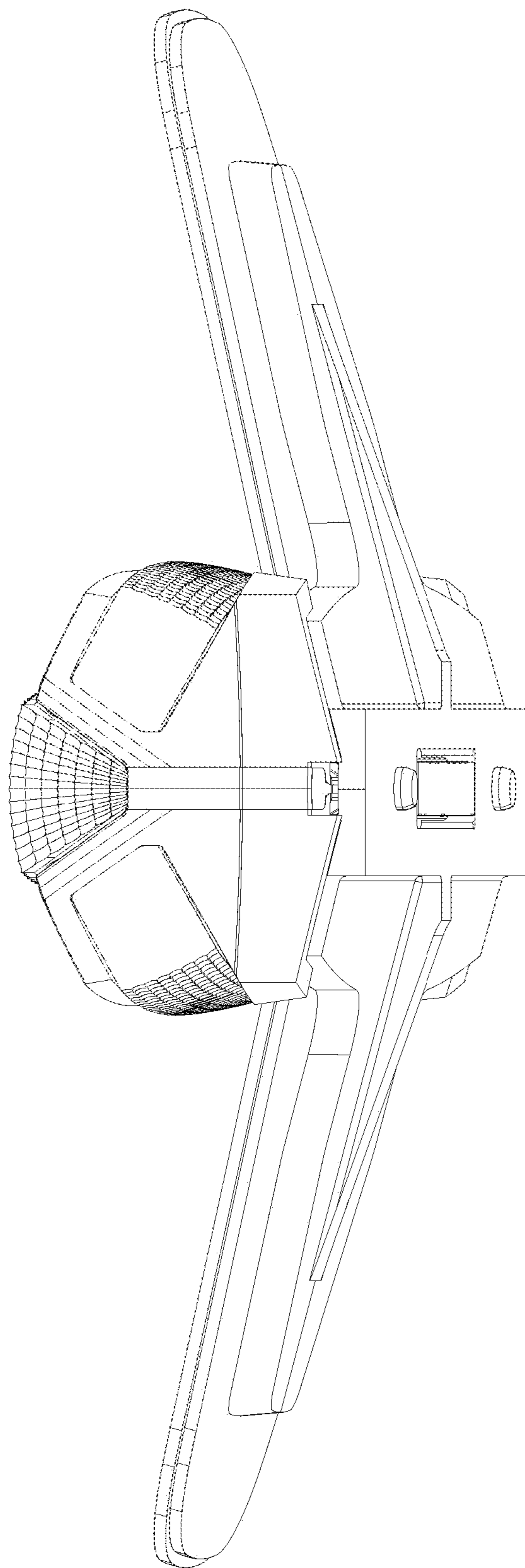


FIG. 6

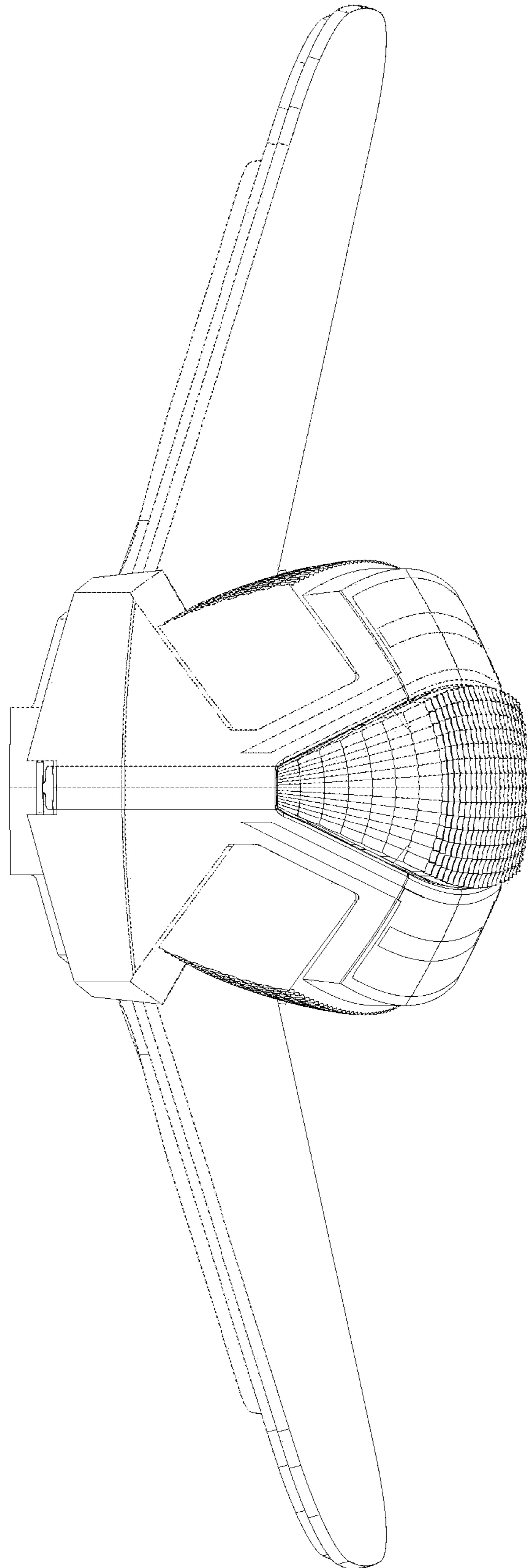


FIG. 7

