



US00D769476S

(12) **United States Design Patent**  
**Spencer**

(10) **Patent No.:** **US D769,476 S**

(45) **Date of Patent:** **\*\* Oct. 18, 2016**

(54) **OLED LUMINAIRE**

(71) Applicant: **OLEDWorks LLC**, Rochester, NY  
(US)

(72) Inventor: **Timothy F. Spencer**, Rochester, NY  
(US)

(73) Assignee: **OLEDWorks LLC**, Rochester, NY  
(US)

(\*\*) Term: **14 Years**

(21) Appl. No.: **29/506,988**

(22) Filed: **Oct. 22, 2014**

(51) **LOC (10) Cl.** ..... **26-03**

(52) **U.S. Cl.**  
USPC ..... **D26/24**

(58) **Field of Classification Search**  
USPC ..... D26/1, 24, 93, 37  
CPC ..... F21S 6/00; F21S 6/002; F21S 6/004;  
F21V 21/02; F21W 2121/00; F21W 2131/10;  
F21W 2131/00; F21W 2131/406

See application file for complete search history.

(56) **References Cited**

U.S. PATENT DOCUMENTS

D323,897 S \* 2/1992 Compton ..... D26/24  
D352,126 S \* 11/1994 Ruud ..... D26/24  
D680,672 S \* 4/2013 Sharrah ..... D26/37

\* cited by examiner

*Primary Examiner* — Brian N Vinson

(74) *Attorney, Agent, or Firm* — Stephen P. Singer

(57) **CLAIM**

The ornamental design for an OLED luminaire, substantially as shown and described.

**DESCRIPTION**

FIG. 1 is a top plan view of an OLED luminaire showing my new design, wherein the darker solid lines indicate structural features thereof and lighter lines are used to indicate contour;

FIG. 2 is a top perspective view of my new design;

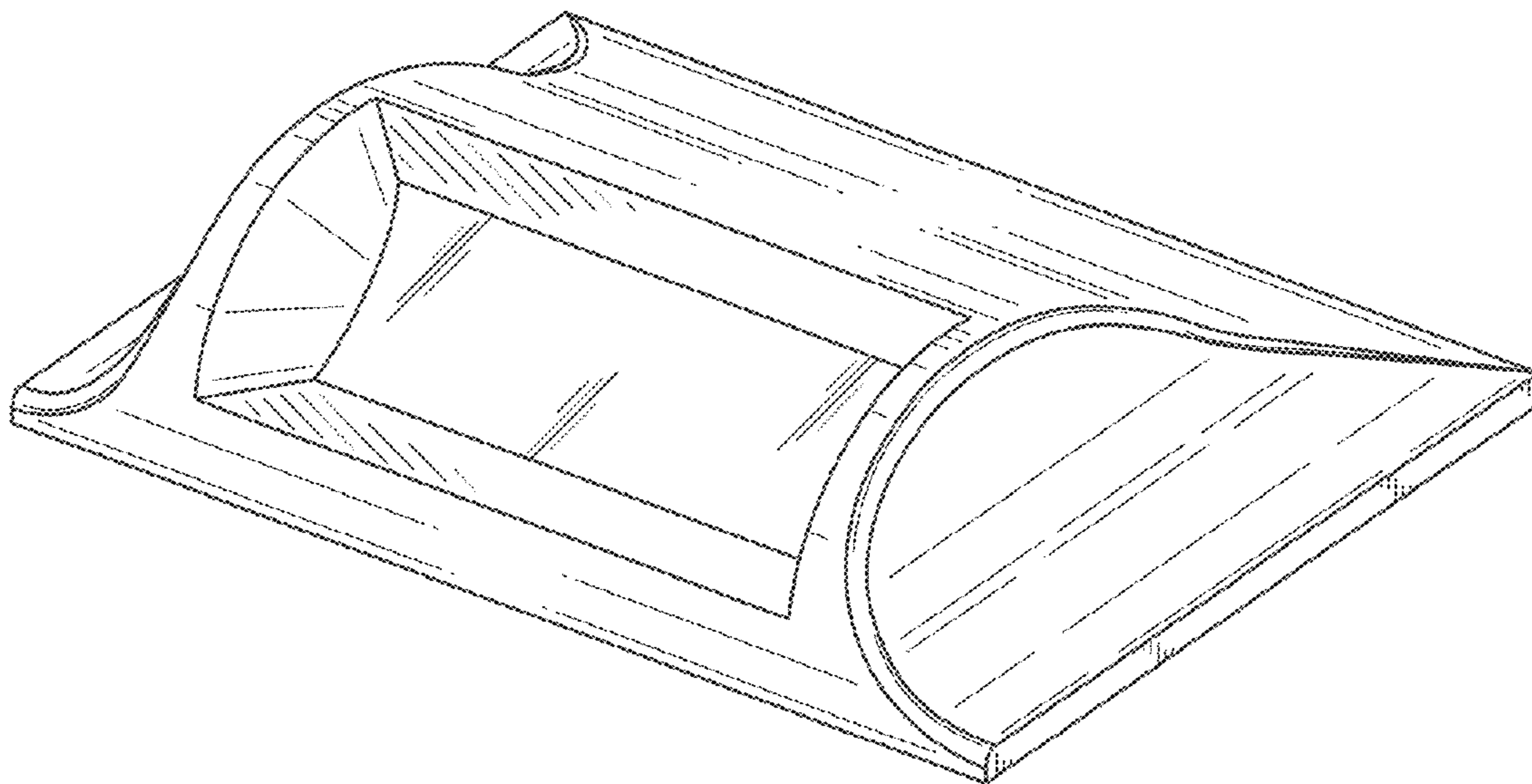
FIG. 3 is a front plan view of my new design;

FIG. 4 is a rear plan view of my new design; and,

FIG. 5 is a left side plan view of my new design, the right side being a mirror image thereto.

“OLED” means organic light-emitting diode. The characteristic feature of the design resides in the overall shape of the OLED luminaire, which contains an OLED light source. The bottom is devoid of surface ornamentation.

**1 Claim, 3 Drawing Sheets**



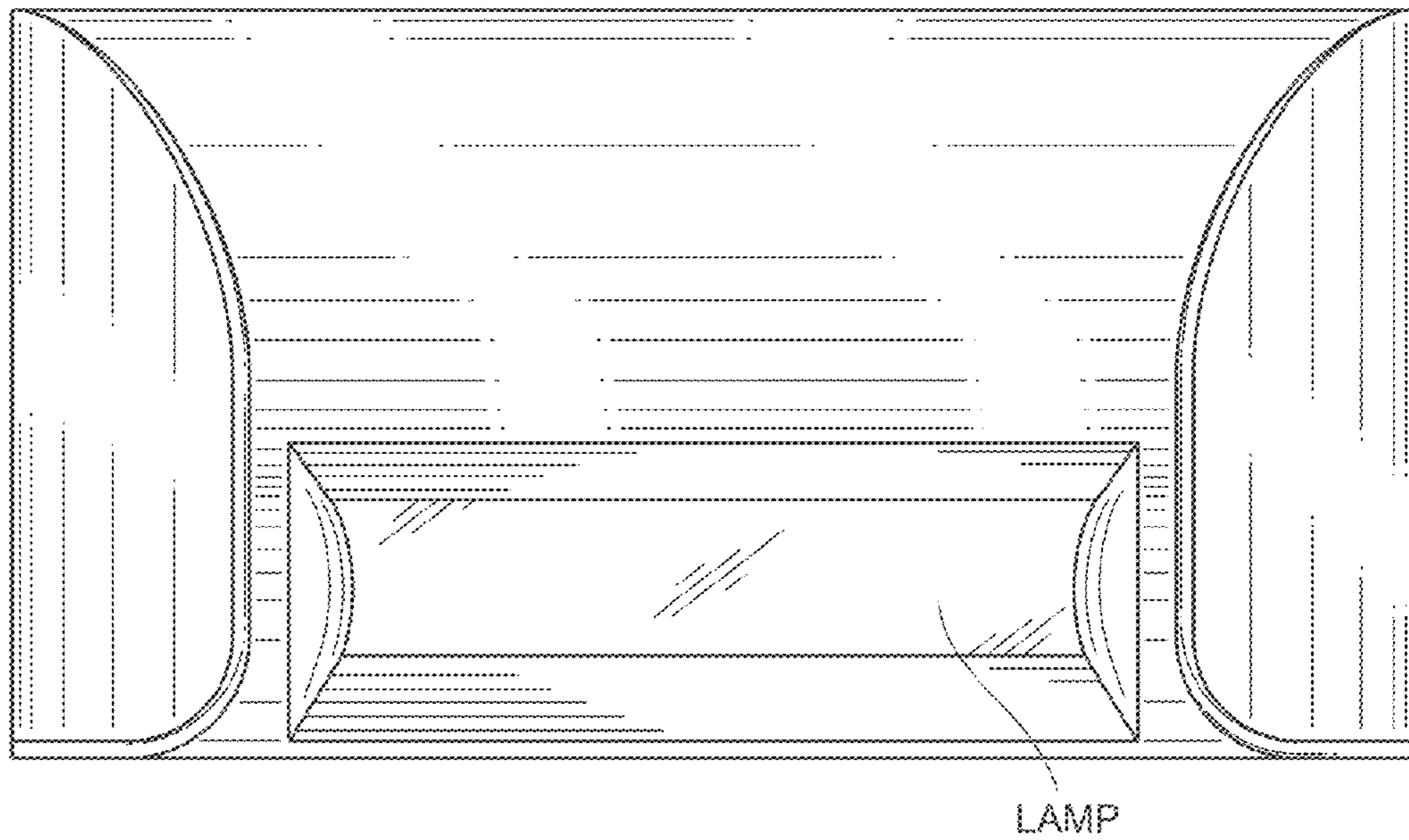


FIG. 1

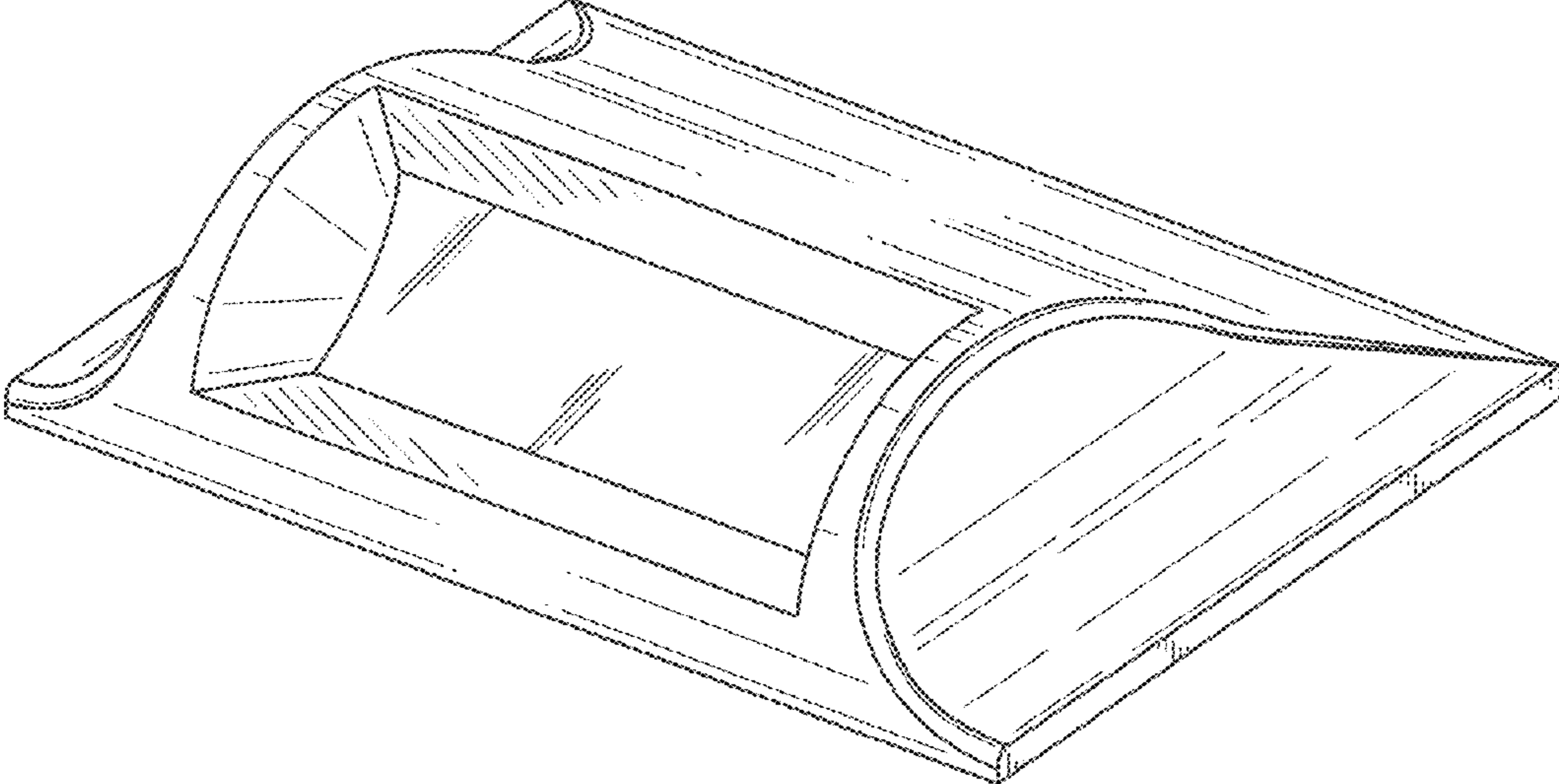


FIG. 2

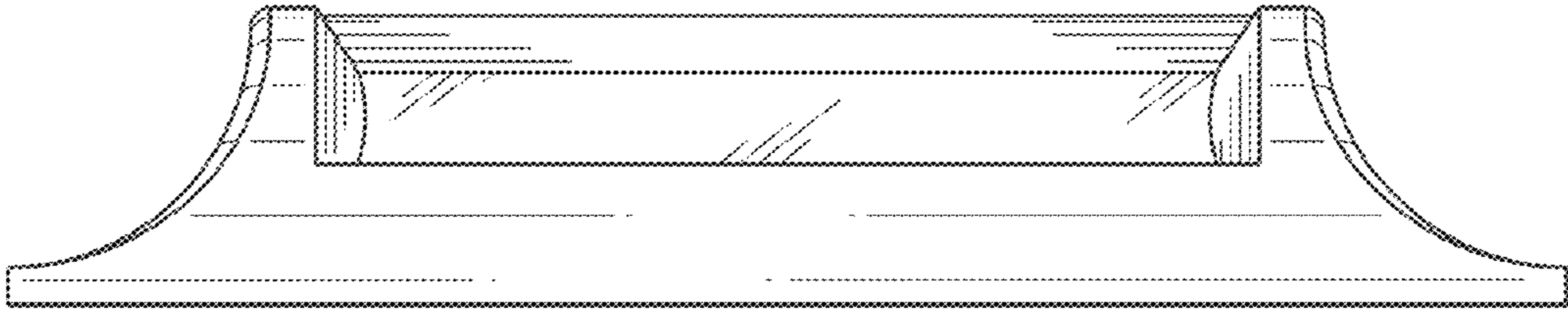


FIG. 3

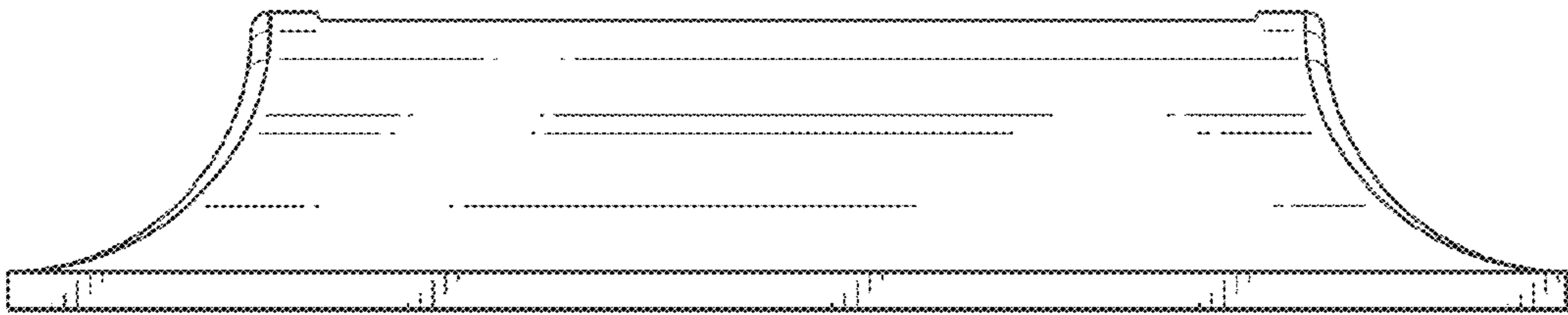


FIG. 4

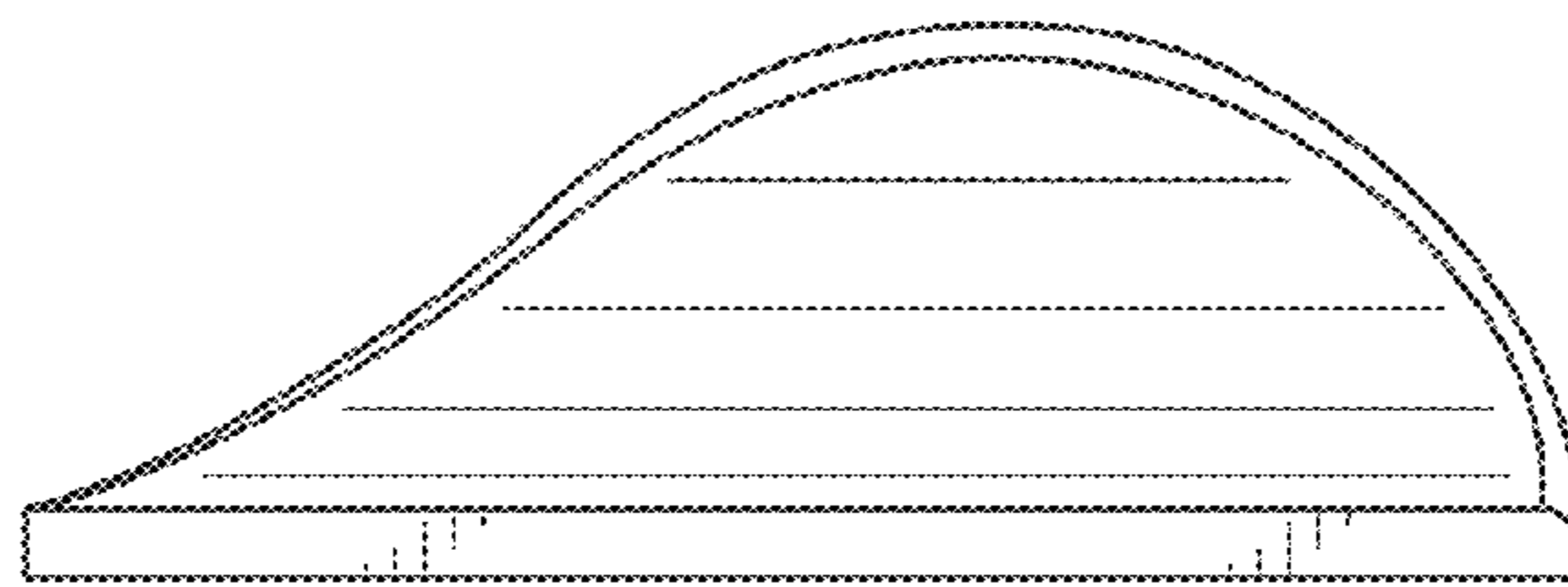


FIG. 5