



US00D769475S

(12) **United States Design Patent** (10) **Patent No.:** **US D769,475 S**
Moon et al. (45) **Date of Patent:** **** Oct. 18, 2016**

(54) **LED BULB**

(71) Applicants: **Sangpil Moon**, Seoul (KR); **Feit Electric Company, Inc.**, Pico Rivera, CA (US)

(72) Inventors: **Daisung Moon**, Seoul (KR); **Sangpil Moon**, Seoul (KR)

(73) Assignees: **Sangpil Moon**, Seoul (KR); **Feit Electric Company, Inc.**, Pico Rivera, CA (US)

(**) Term: **14 Years**

(21) Appl. No.: **29/521,424**

(22) Filed: **Mar. 24, 2015**

(30) **Foreign Application Priority Data**

Jan. 28, 2015 (CN) 2015 3 0026250

(51) **LOC (10) Cl.** **26-04**

(52) **U.S. Cl.**
USPC **D26/2**

(58) **Field of Classification Search**
USPC D26/1-4, 113, 118; 313/313, 315, 316, 313/317, 318, 493; 315/32, 46, 52, 53, 56, 315/57, 58; D13/179
CPC F21K 9/35; F21K 9/1375; F21K 9/13
See application file for complete search history.

(56) **References Cited**

U.S. PATENT DOCUMENTS

D506,840 S *	6/2005	Van de Ven	D26/2
D736,967 S *	8/2015	Auernhammer	D26/2
D742,039 S *	10/2015	Yu	D26/2
D745,981 S *	12/2015	Goscha	D26/2
D745,982 S *	12/2015	Goscha	D26/2
D746,490 S *	12/2015	Goscha	D26/2
D747,009 S *	1/2016	Goscha	D26/2

* cited by examiner

Primary Examiner — Lakiya Rogers

Assistant Examiner — Harold Blackwell, II

(57) **CLAIM**

The ornamental design for an LED bulb, as shown and described.

DESCRIPTION

FIG. 1 is a front elevational view of an LED bulb showing our new design;

FIG. 2 is a rear elevational view thereof;

FIG. 3 is a left side view thereof;

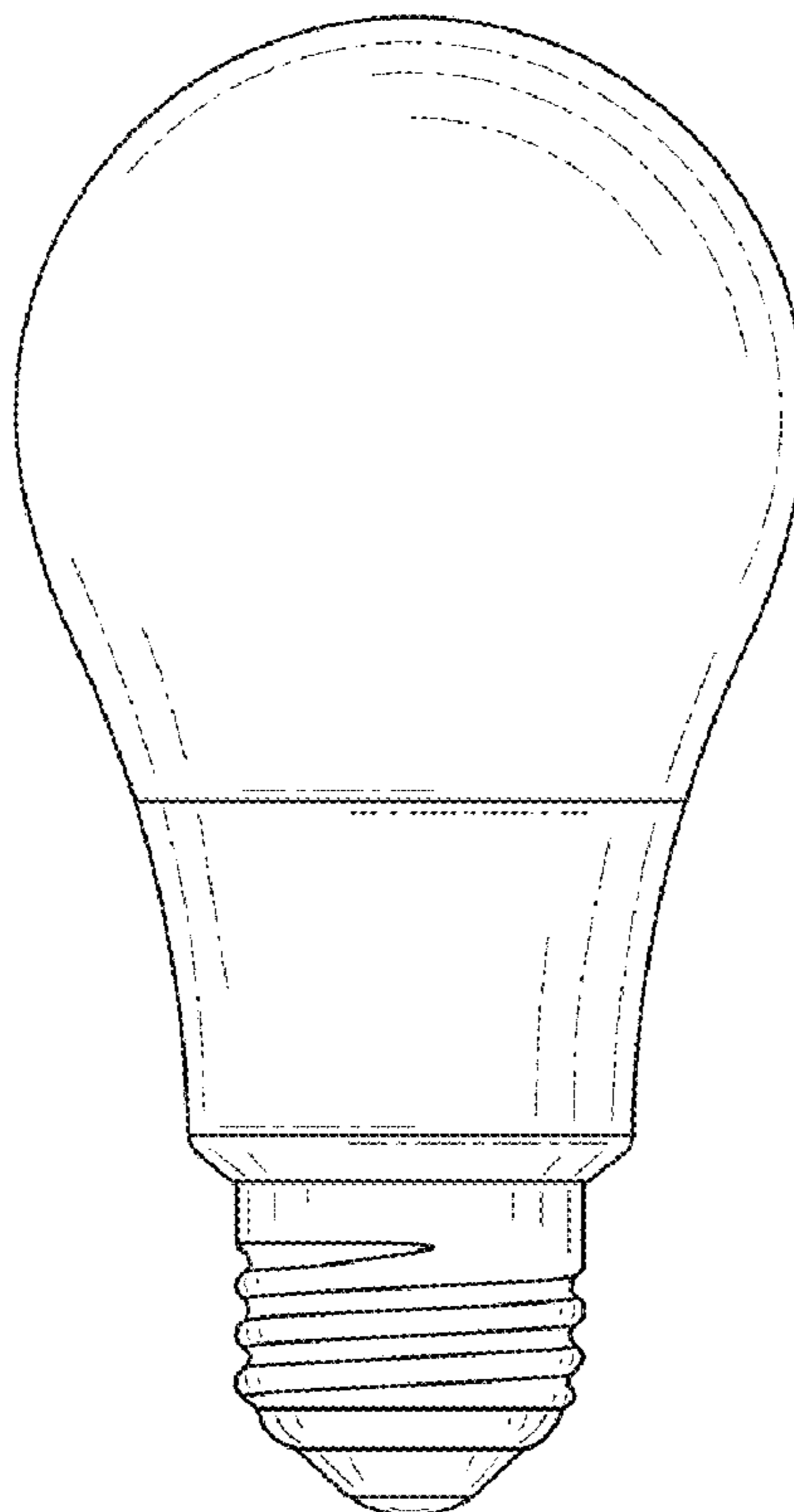
FIG. 4 is a right side view thereof;

FIG. 5 is a top plan view thereof;

FIG. 6 is a bottom plan view thereof; and,

FIG. 7 is a perspective view thereof.

1 Claim, 4 Drawing Sheets



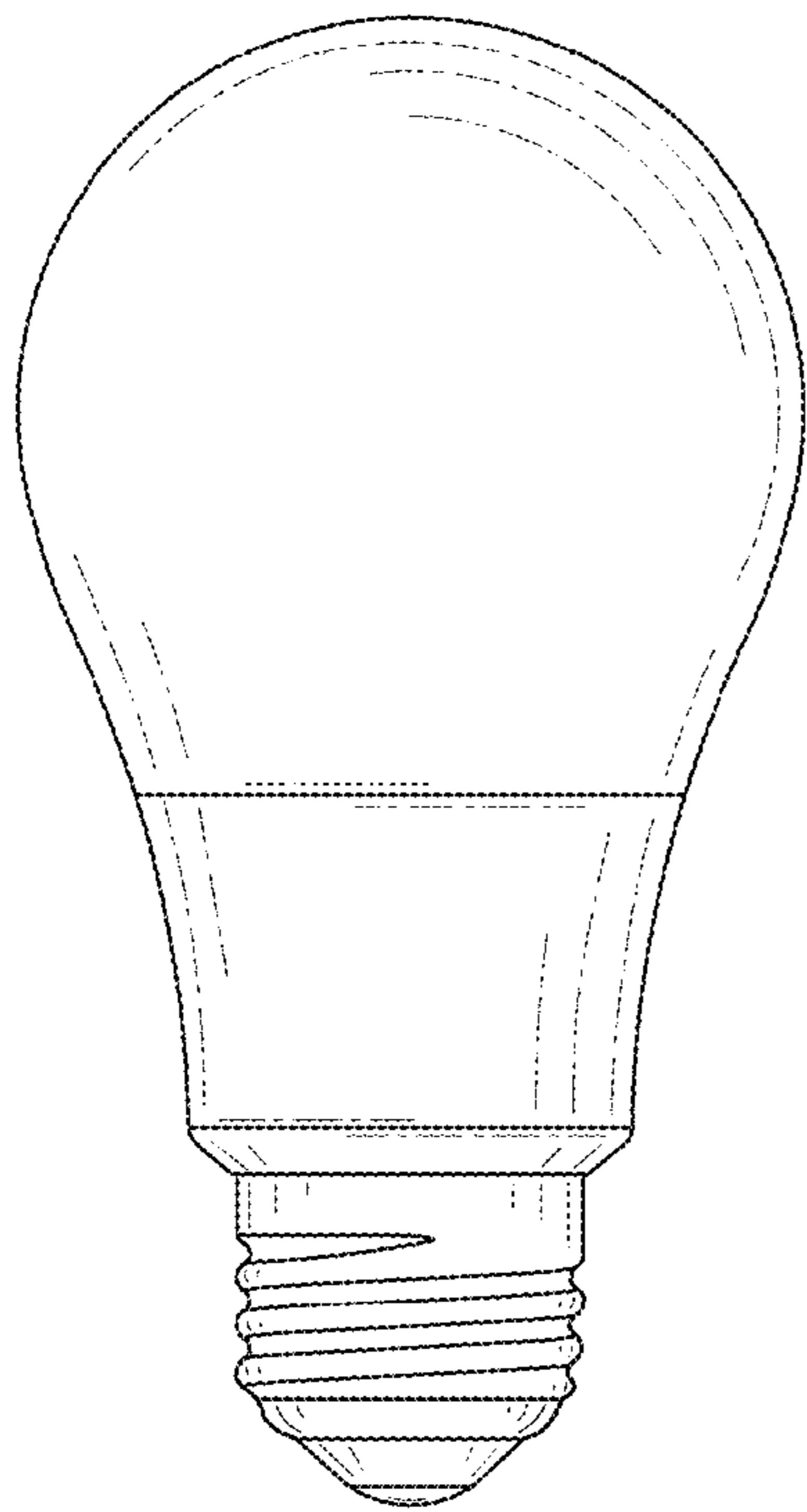


FIG. 1

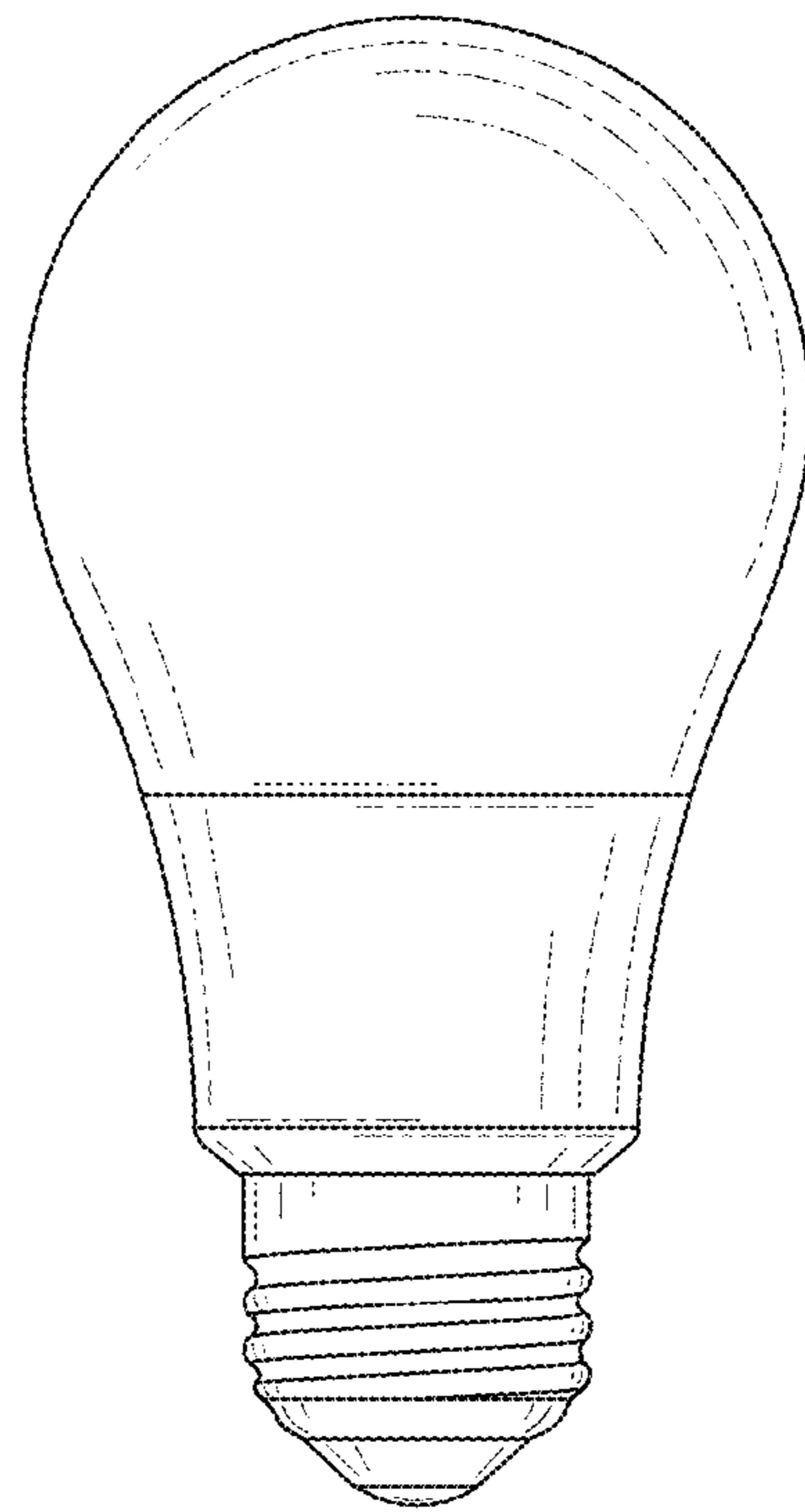


FIG. 2

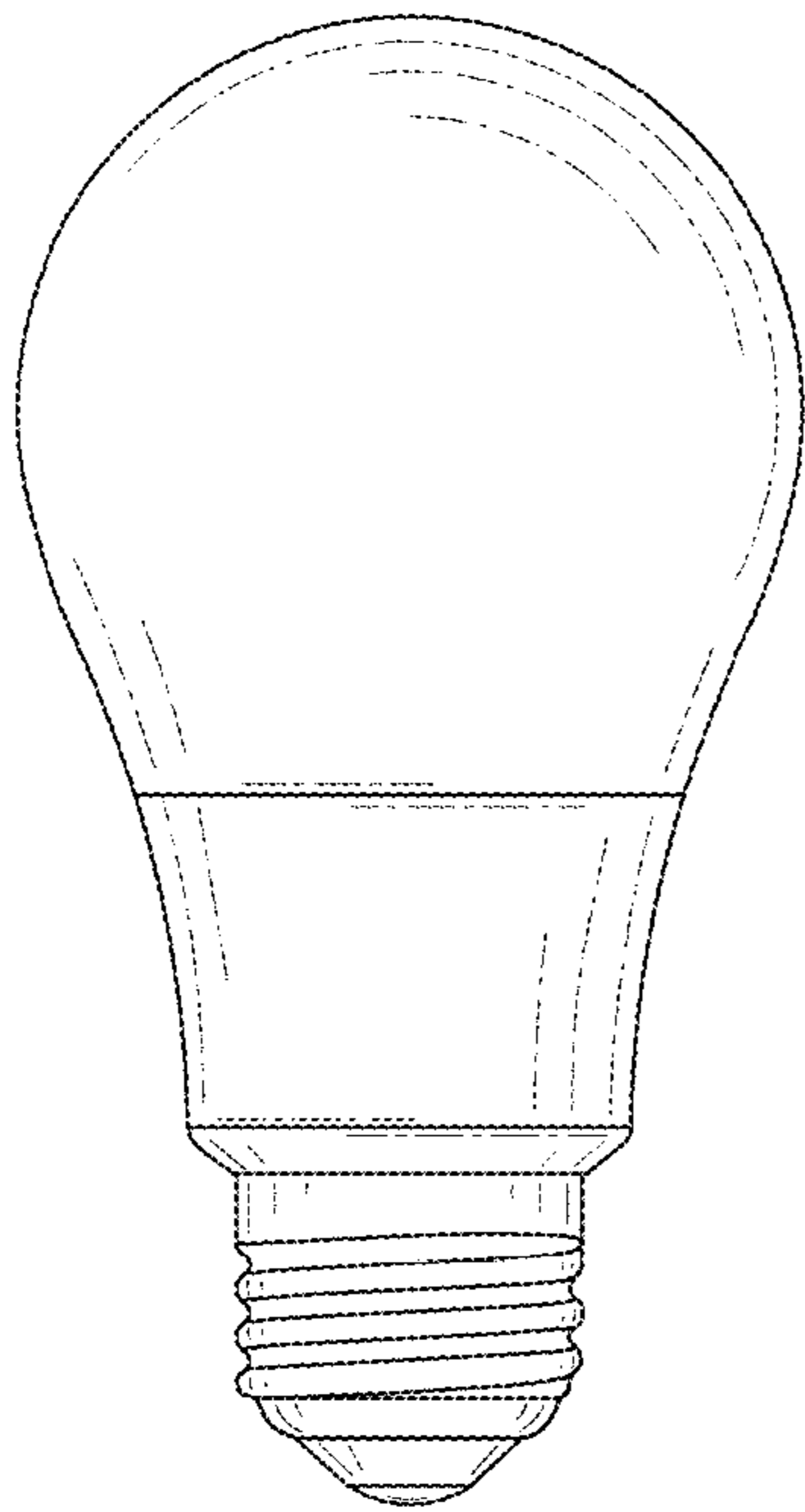


FIG.3

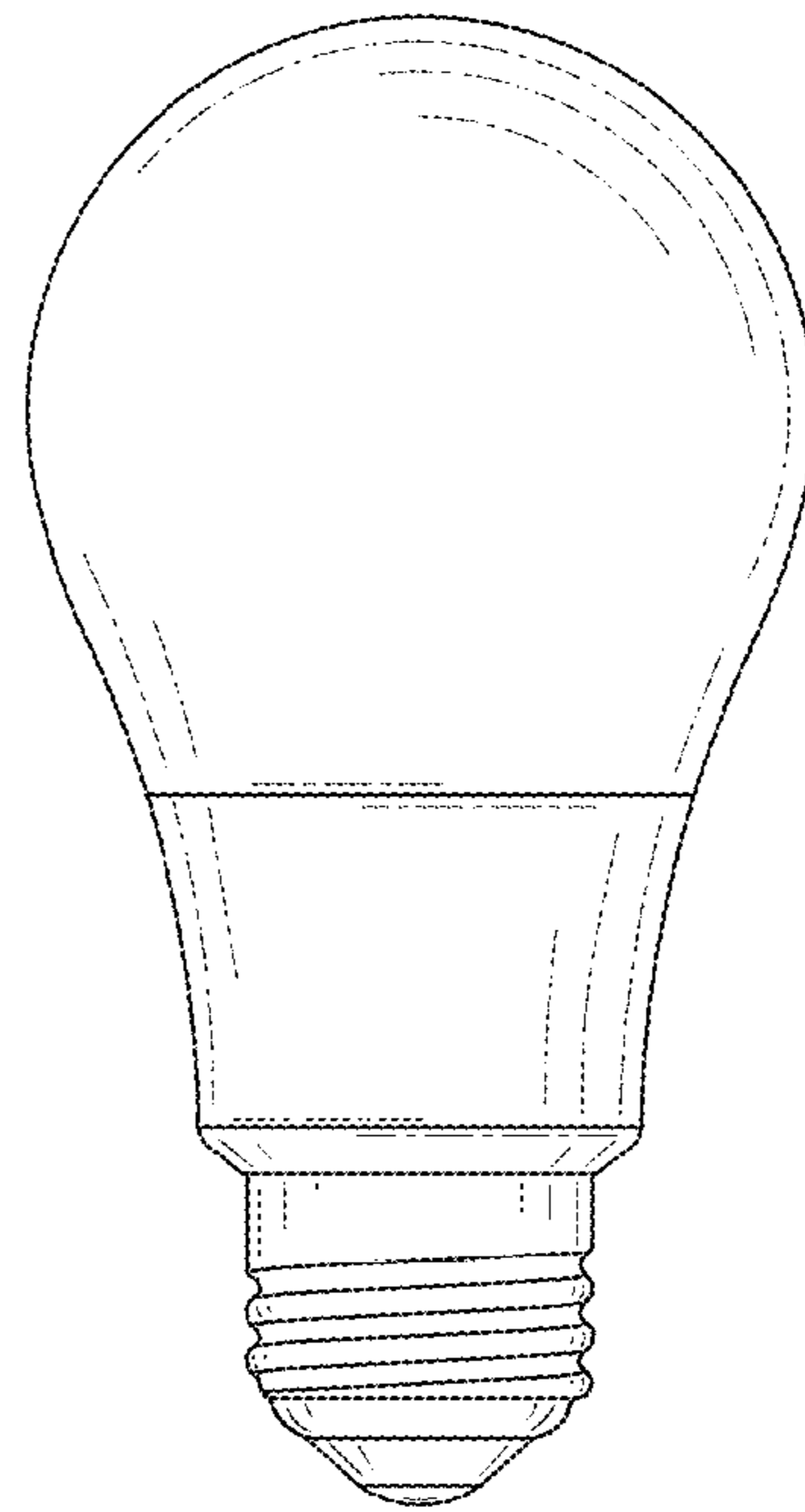


FIG.4

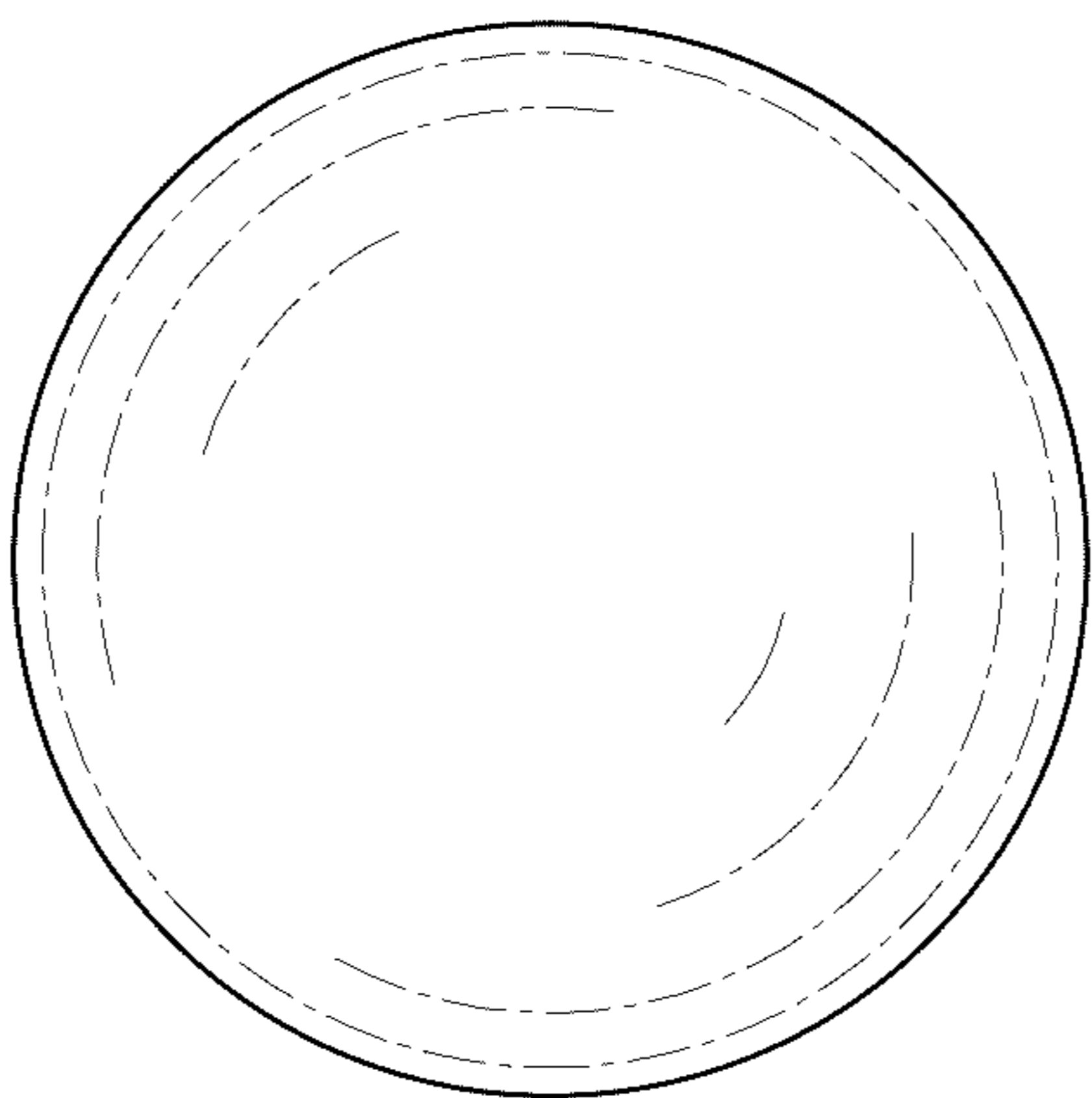


FIG. 5

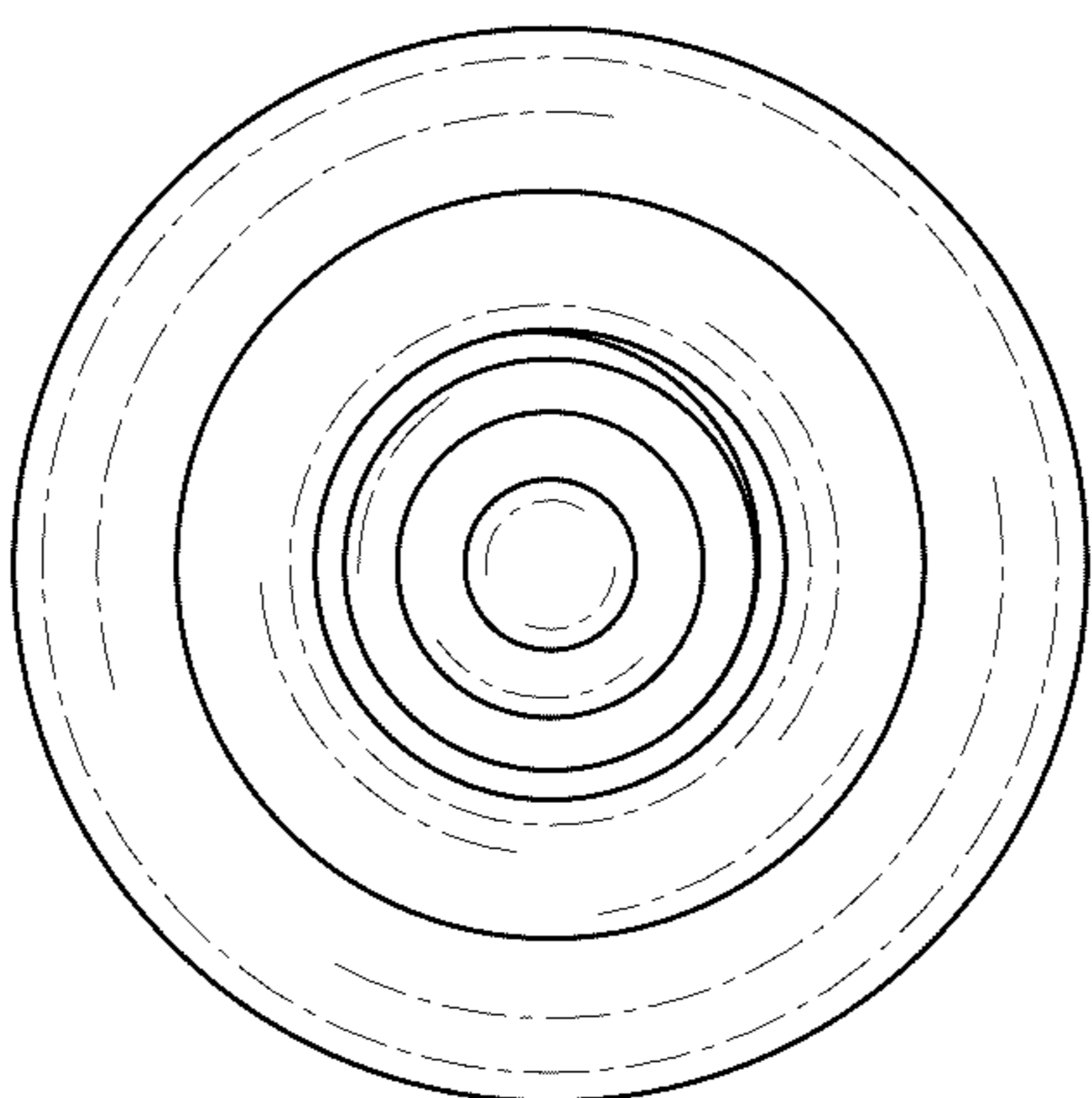


FIG. 6

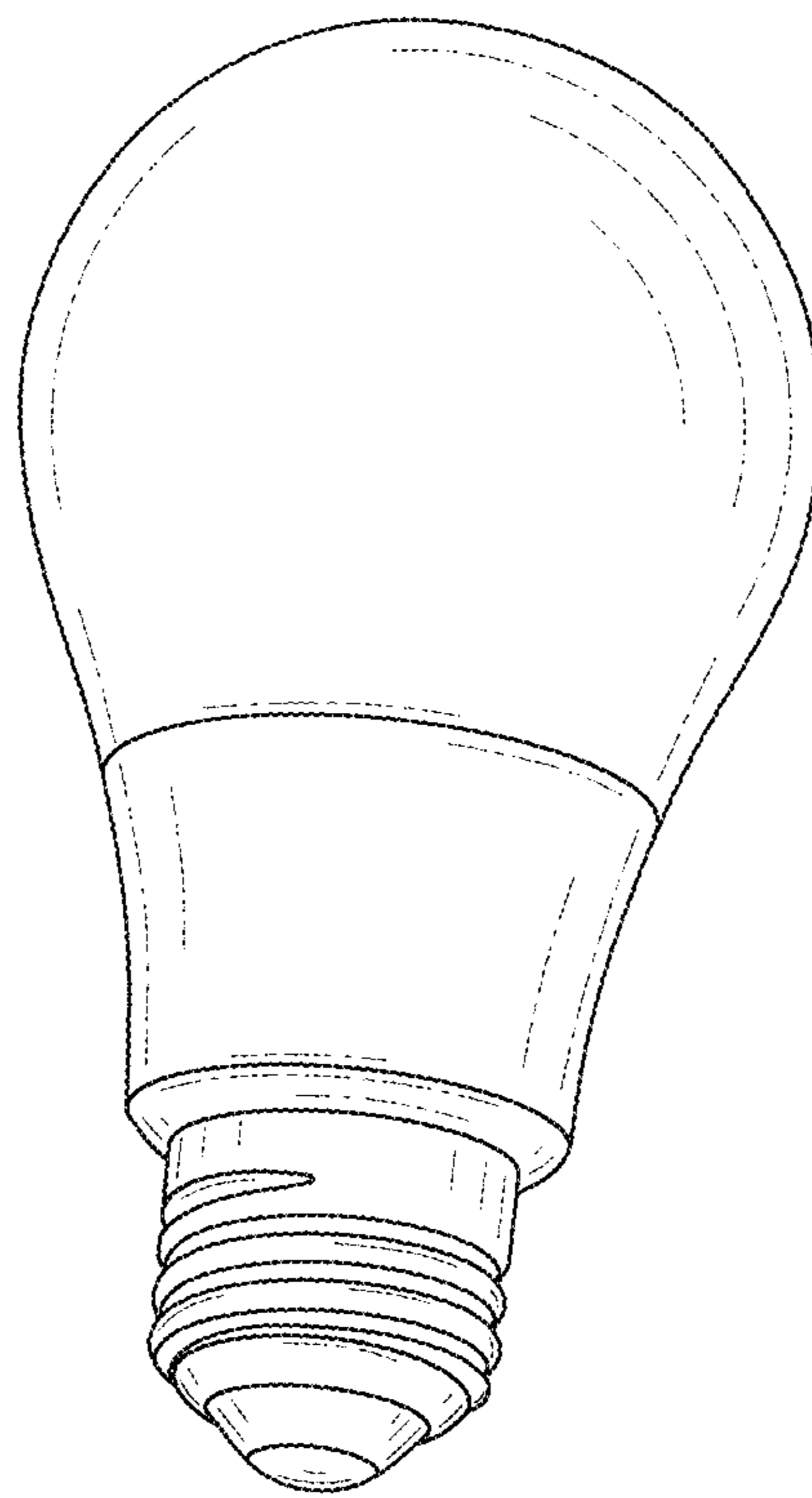


FIG. 7