

US00D769470S

(12) **United States Design Patent**
Criscione et al.

(10) **Patent No.:** **US D769,470 S**
(45) **Date of Patent:** **** Oct. 18, 2016**

(54) **FENCE POST REPAIR APPARATUS**

(71) Applicants: **Jerry Criscione**, Lompoc, CA (US);
Greg Belluz, Lompoc, CA (US)

(72) Inventors: **Jerry Criscione**, Lompoc, CA (US);
Greg Belluz, Lompoc, CA (US)

(**) Term: **15 Years**

(21) Appl. No.: **29/530,146**

(22) Filed: **Jun. 12, 2015**

(51) **LOC (10) Cl.** **25-03**

(52) **U.S. Cl.**
USPC **D25/134**

(58) **Field of Classification Search**
USPC D25/61, 126, 131, 133, 134, 135, 157,
D25/38.1, 39; 52/155, 165, 170, 295, 698,
52/702

See application file for complete search history.

(56) **References Cited**

U.S. PATENT DOCUMENTS

| | | | | | | |
|-----------|------|--------|-----------|-------|--------------|-----------|
| 1,038,147 | A * | 9/1912 | Johnson | | E04H 12/2215 | 52/155 |
| 3,809,346 | A * | 5/1974 | Jackson | | E04H 12/223 | 248/156 |
| 4,156,332 | A * | 5/1979 | Thompson | | E04H 12/2215 | 52/165 |
| 4,951,904 | A * | 8/1990 | Obenshain | | A47G 29/1216 | 232/39 |
| 6,511,034 | B2 * | 1/2003 | Nicholson | | E04H 17/22 | 248/218.4 |

| | | | | | | |
|-----------|------|---------|-----------|-------|--------------|-----------|
| 6,526,722 | B1 * | 3/2003 | Pangburn | | E04H 12/2292 | 256/35 |
| 6,578,826 | B2 * | 6/2003 | Pilcher | | E04H 12/2292 | 256/19 |
| 6,684,580 | B1 * | 2/2004 | Hull | | F16M 11/16 | 256/19 |
| D514,177 | S * | 1/2006 | Connerley | | D11/183 | |
| 7,549,259 | B2 * | 6/2009 | Calle | | E02D 27/42 | 52/155 |
| D650,095 | S * | 12/2011 | Smolinski | | D25/133 | |
| D662,614 | S * | 6/2012 | Storey | | D25/134 | |
| 8,763,980 | B2 * | 7/2014 | Deslatte | | F16M 13/02 | 248/218.4 |

* cited by examiner

Primary Examiner — Ian Simmons

Assistant Examiner — Samantha Q Lawrence

(74) *Attorney, Agent, or Firm* — Gulf Coast Intellectual Property Group

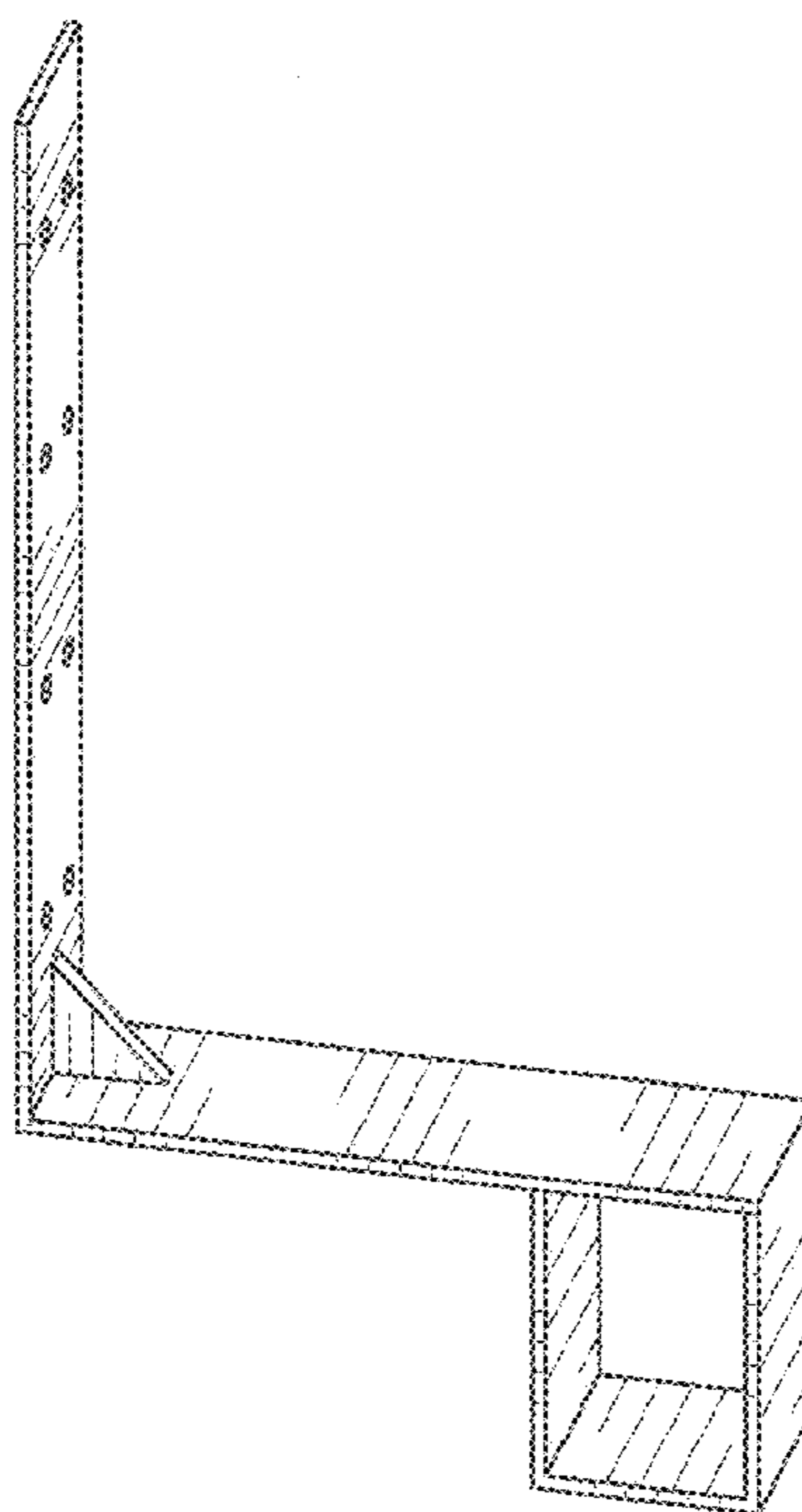
(57) **CLAIM**

The ornamental design for a fence post repair apparatus, as shown and described.

DESCRIPTION

FIG. 1 is a right side view a fence post repair apparatus shown in an environment of use and FIG. 2 is a right side view thereof; FIG. 3 is a left side view thereof; FIG. 4 is a front elevation view thereof; FIG. 5 is a rear elevation view thereof; and, FIG. 6 is a perspective view thereof. The broken lines shown in FIG. 1 illustrates environment and form no part of the claimed design.

1 Claim, 3 Drawing Sheets



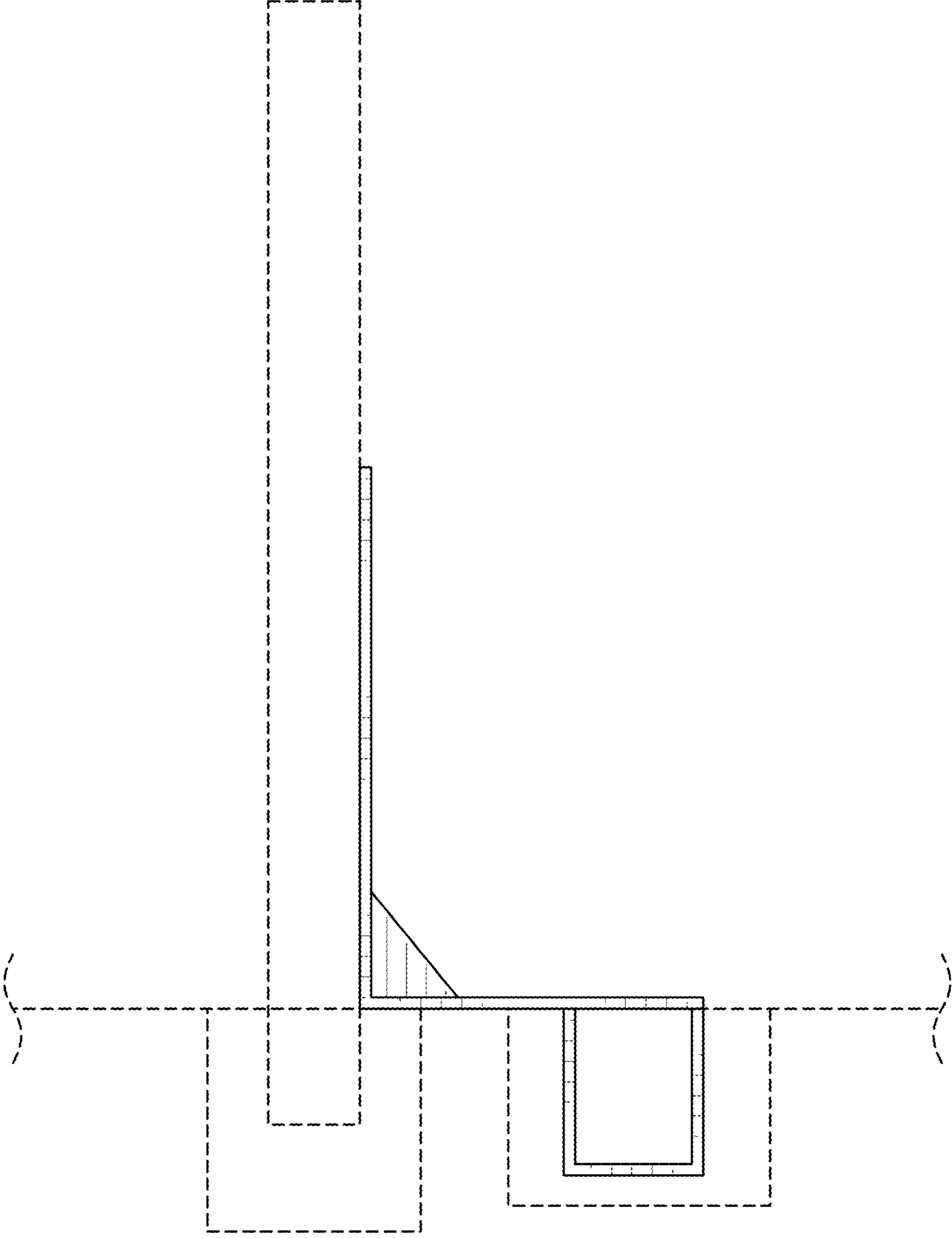


FIG. 1

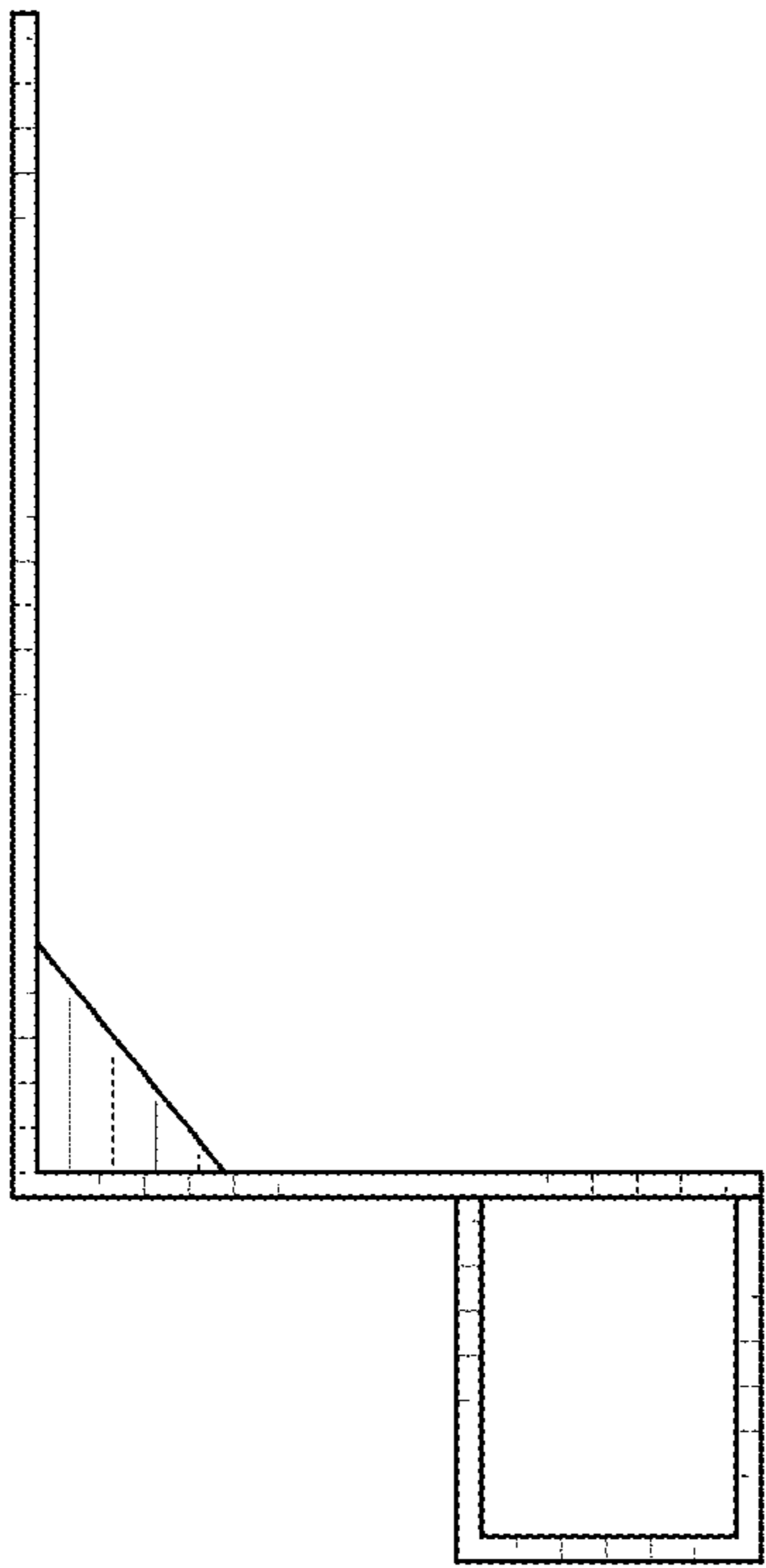


FIG. 2

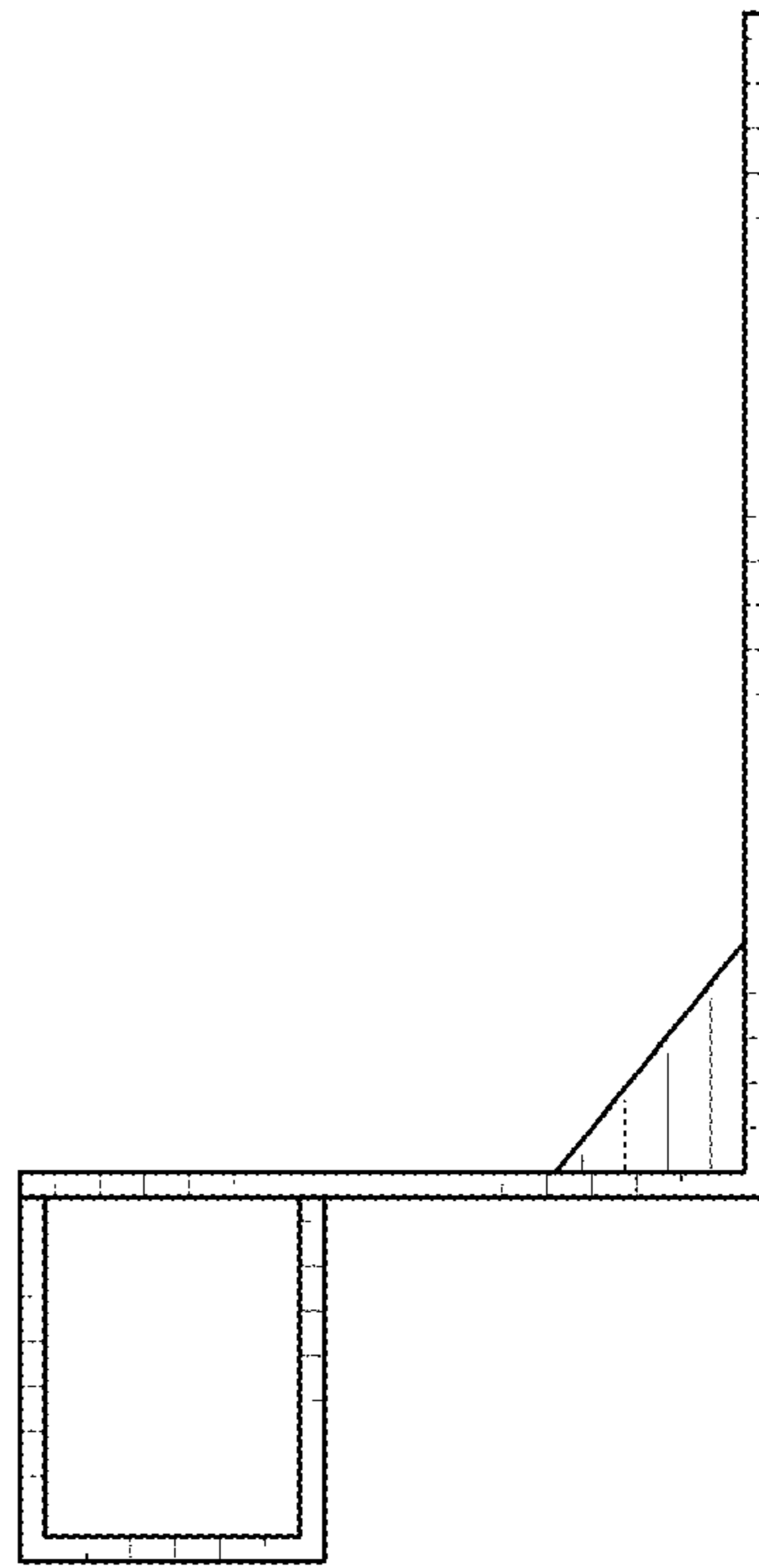


FIG. 3

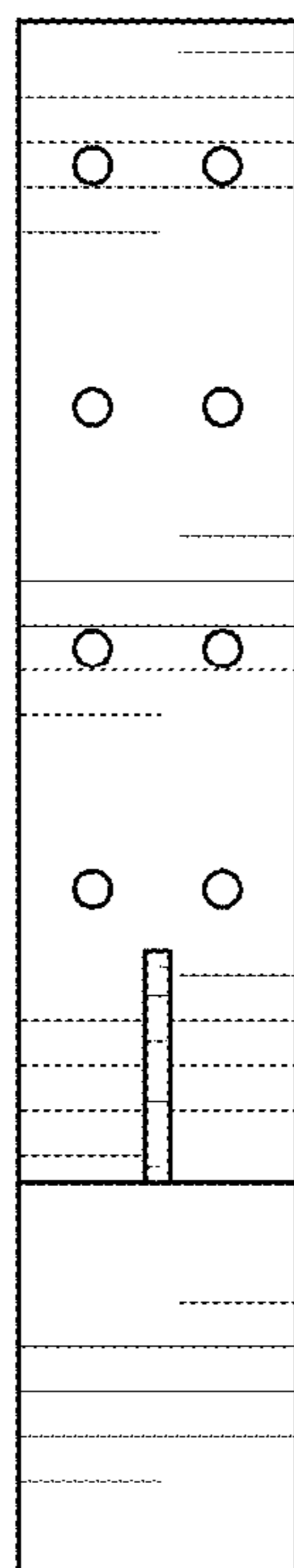


FIG. 4

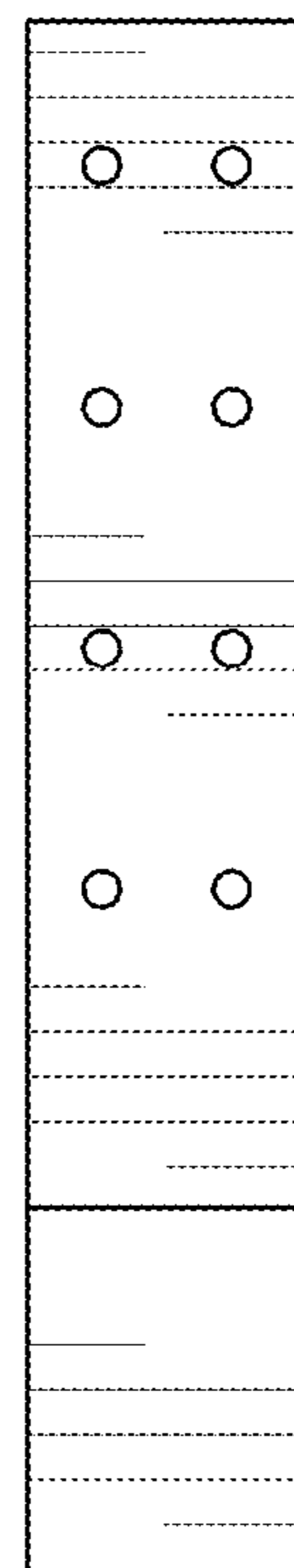


FIG. 5

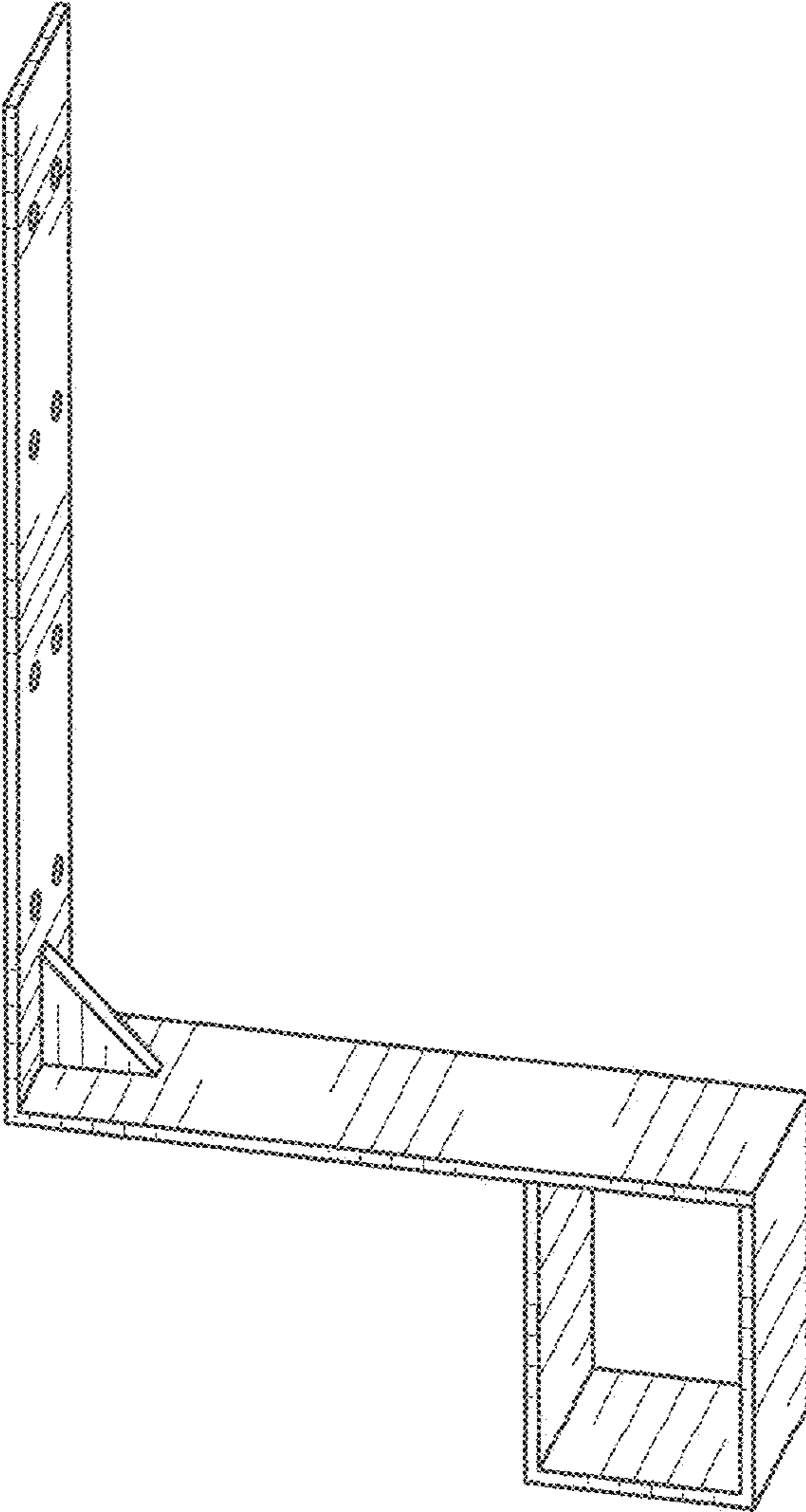


FIG. 6