



US00D769467S

(12) **United States Design Patent** (10) **Patent No.:** **US D769,467 S**
Roberts (45) **Date of Patent:** **** Oct. 18, 2016**

(54) **WINDOW SASH EXTRUSION**
(71) Applicant: **VEKA, INC.**, Fombell, PA (US)
(72) Inventor: **William G. Roberts**, Beaver Falls, PA (US)
(73) Assignee: **VEKA, INC.**, Fombell, PA (US)
(**) Term: **15 Years**
(21) Appl. No.: **29/528,808**
(22) Filed: **Jun. 1, 2015**
(51) **LOC (10) Cl.** **25-01**
(52) **U.S. Cl.**
USPC **D25/124**
(58) **Field of Classification Search**
USPC D25/44, 48.7, 60, 119-125, 136-137;
52/204.1, 204.2, 204.5, 204.51,
52/204.55, 204.61, 204.62, 204.69, 204.7,
52/204.72, 206, 208, 209, 212, 213, 215,
52/579, 656.2, 656.4, 656.5, 656.6, 656.7,
52/800.13, 717.01, 793.1, 794.1; D20/42,
D20/43, 44; D34/35
CPC E06B 1/36; E06B 1/702; E06B 1/366;
E06B 1/524; E06B 1/68; E06B 1/04; E06B
1/28; E06B 1/30; E06B 3/305; E06B 3/22;
E06B 3/222; E06B 3/24; E06B 2003/66385
See application file for complete search history.

(56) **References Cited**
U.S. PATENT DOCUMENTS
D502,999 S * 3/2005 Wickland D25/124
D557,825 S * 12/2007 Willman D25/124
D576,747 S * 9/2008 Morton D25/124
D578,663 S * 10/2008 Franson D25/124
D583,080 S * 12/2008 Campbell D25/124
D590,962 S * 4/2009 Campbell D25/124
D590,964 S * 4/2009 Campbell D25/124
D590,965 S * 4/2009 Campbell D25/124

D591,432 S * 4/2009 Campbell D25/124
D592,764 S * 5/2009 Campbell D25/124
D597,220 S * 7/2009 Campbell D25/124
D616,566 S * 5/2010 Desrosiers D25/122
D672,888 S * 12/2012 Veryser D25/124
D692,586 S * 10/2013 Fannan D25/124
D692,589 S * 10/2013 Wickland D25/124
D692,590 S * 10/2013 Wickland D25/124
D692,592 S * 10/2013 Kosonen D25/124
D693,023 S * 11/2013 Fannan D25/124
D693,489 S * 11/2013 Wickland D25/124
D718,881 S * 12/2014 Fannan D25/119
D718,882 S * 12/2014 Fannan D25/119
D736,956 S * 8/2015 Chaney D25/124
D736,957 S * 8/2015 Chaney D25/124
D739,044 S * 9/2015 Campbell D25/124
D739,045 S * 9/2015 Campbell D25/124

(Continued)

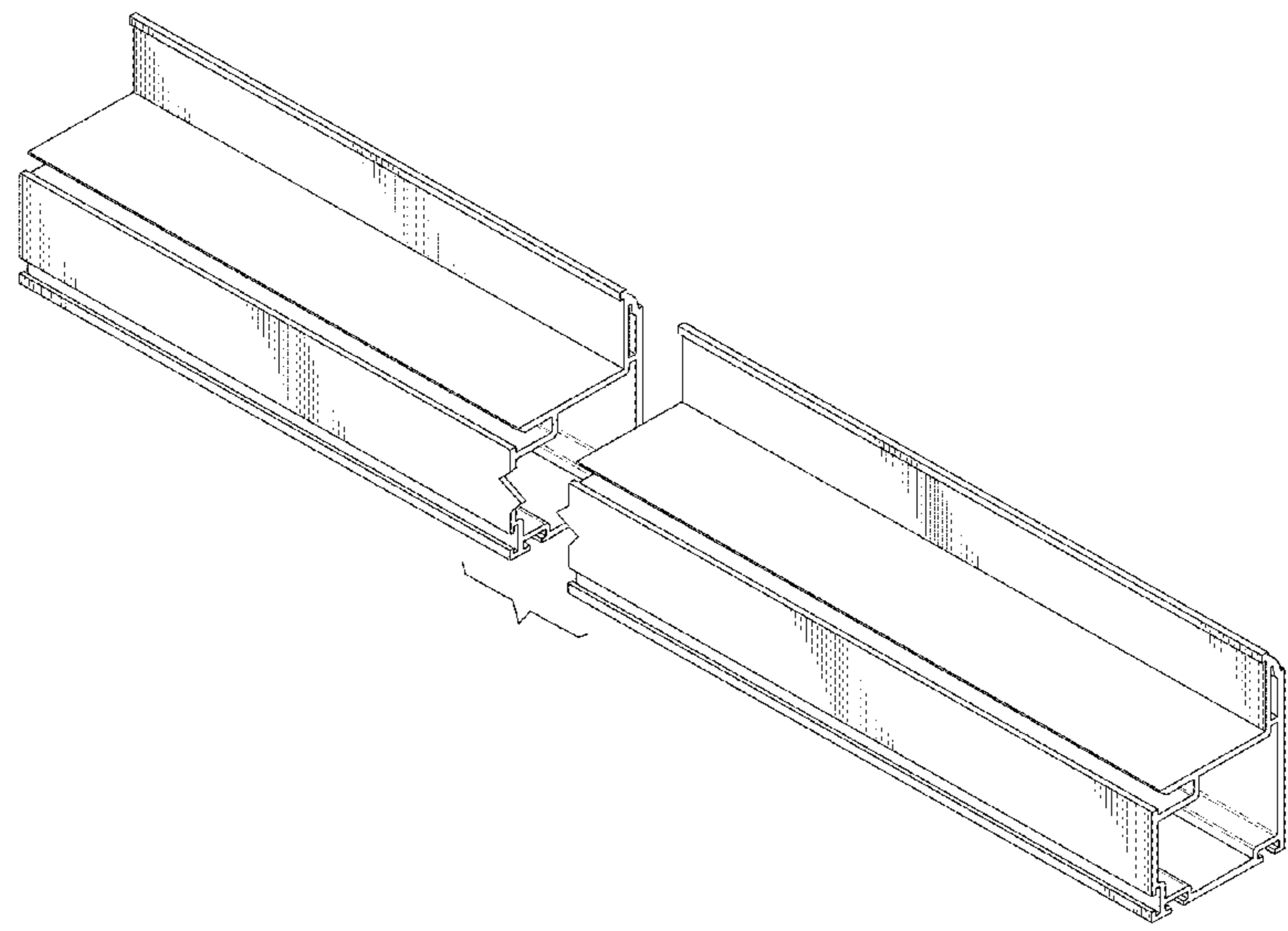
Primary Examiner — Cynthia Ramirez
Assistant Examiner — Llorellys Martinez-Rivera
(74) *Attorney, Agent, or Firm* — Eckert Seamans Cherin & Mellott, LLC; Arnold B. Silverman

(57) **CLAIM**
The ornamental design for a window sash extrusion, as shown and described.

DESCRIPTION

FIG. 1 is a top front isometric view of a window sash extrusion showing my new design;
FIG. 2 is a front elevation thereof;
FIG. 3 is a rear elevation view thereof;
FIG. 4 is a top plan view thereof;
FIG. 5 is a bottom plan view thereof;
FIG. 6 is a left side elevation view thereof; and,
FIG. 7 is a right side elevation view thereof.
The window sash extrusion is shown with a symbolic break in its length. The appearance of any portion of the window sash extrusion between the break lines forms no part of the claimed design.

1 Claim, 4 Drawing Sheets



US D769,467 S

Page 2

(56)

References Cited

U.S. PATENT DOCUMENTS

D739,046 S *	9/2015	Campbell	D25/124	
D739,562 S *	9/2015	Campbell	D25/124	* cited by examiner
D740,445 S *	10/2015	Chaney	D25/124	
D740,446 S *	10/2015	Chaney	D25/124	
2005/0050815 A1 *	3/2005	Engbretson	E06B 1/345 52/204.52	

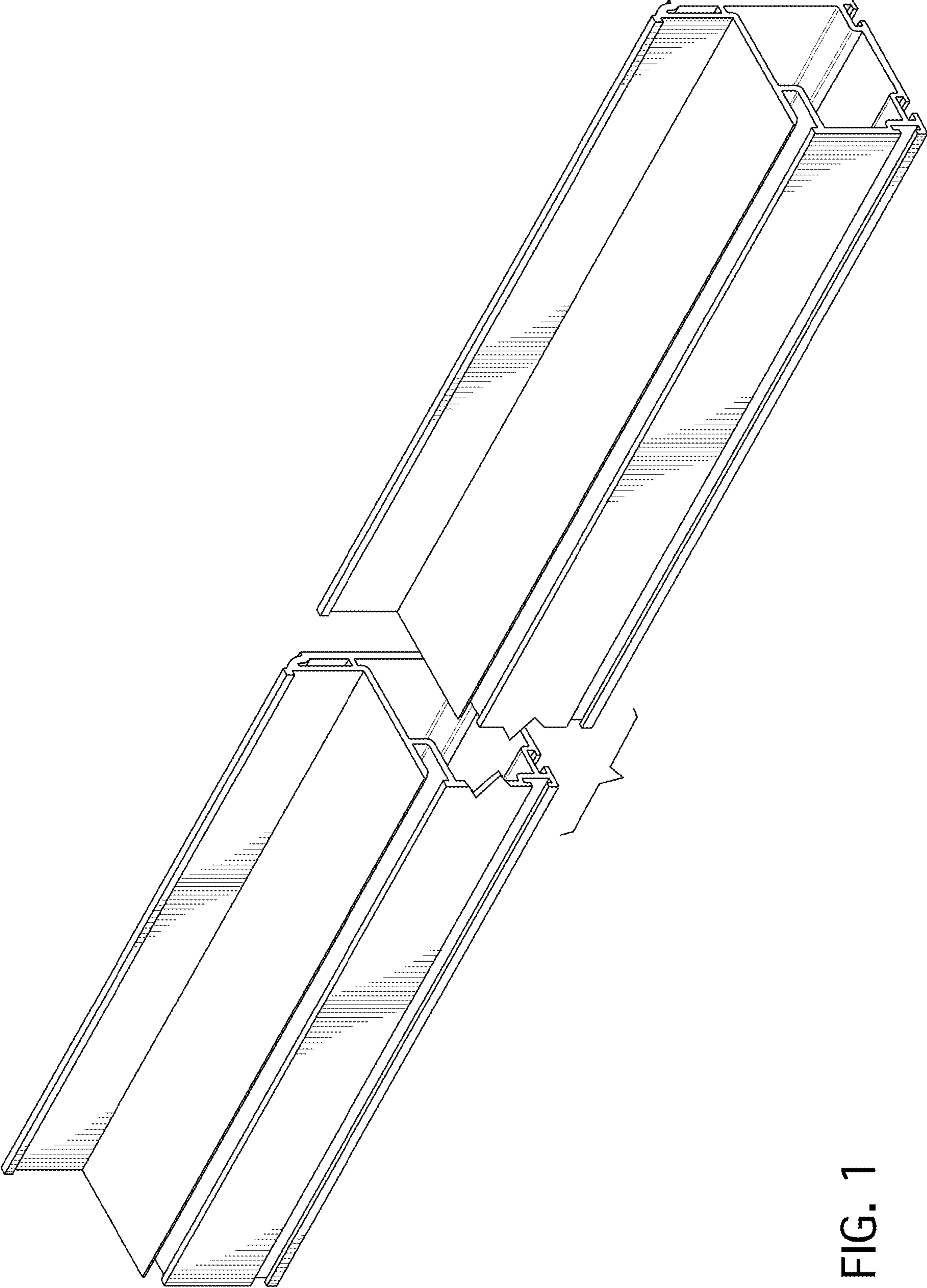


FIG. 1

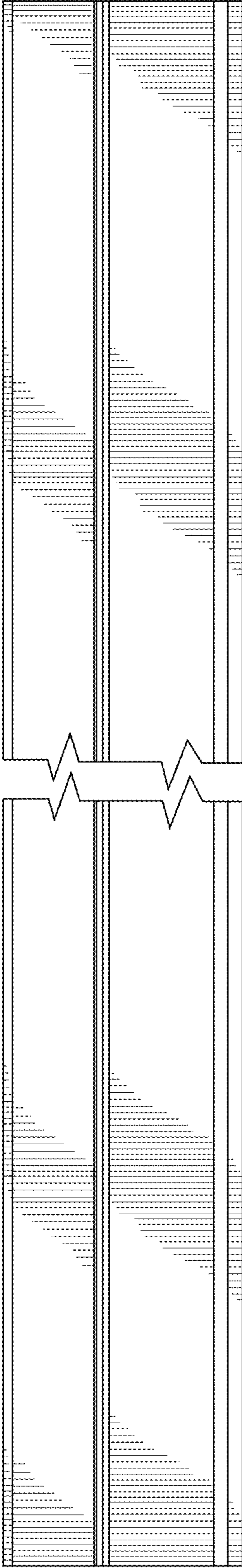


FIG. 2

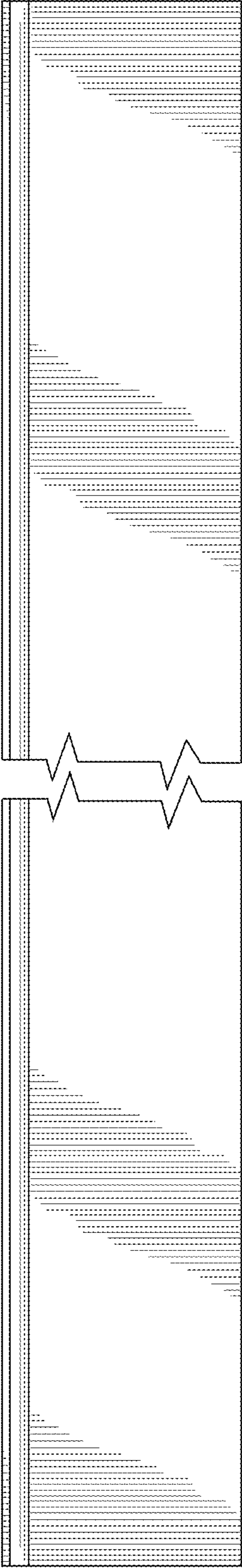


FIG. 3

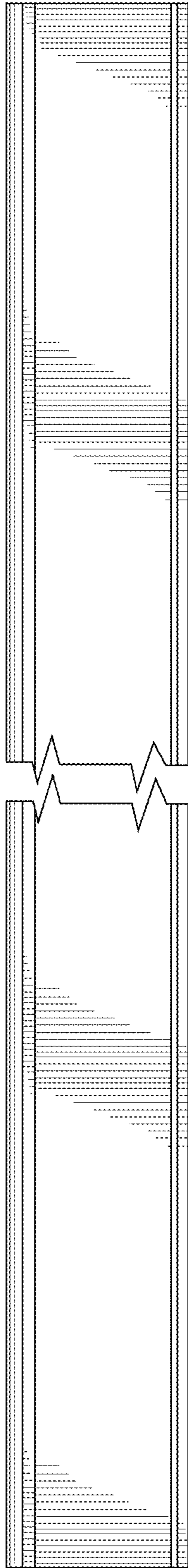


FIG. 4

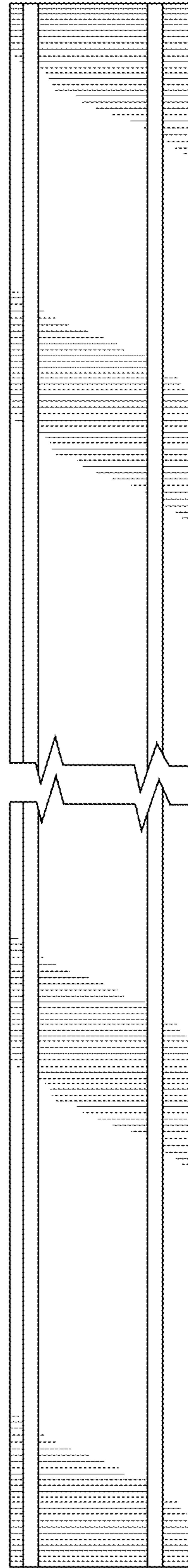


FIG. 5

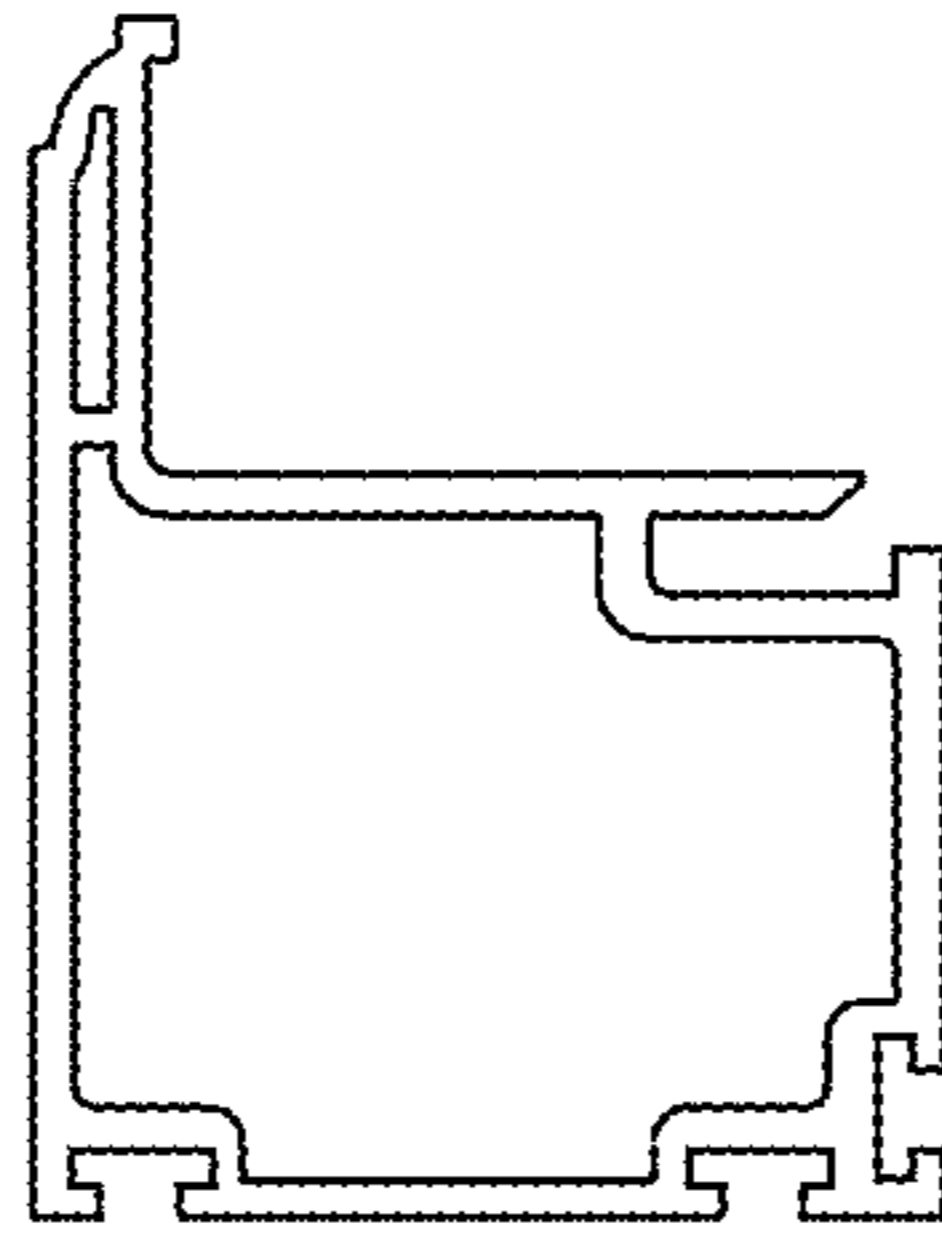


FIG. 6

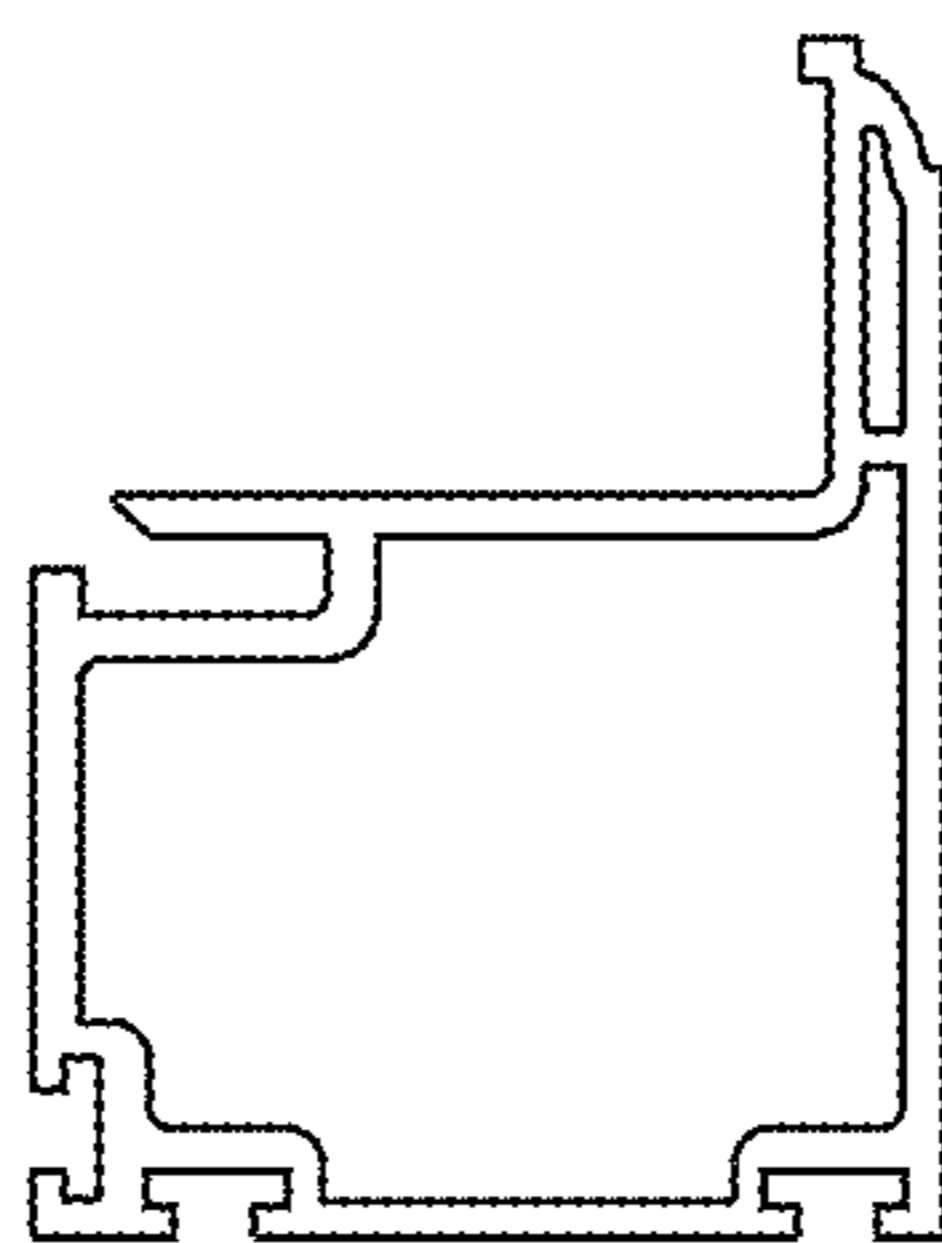


FIG. 7