



US00D769464S

(12) **United States Design Patent**  
**Fannan**

(10) **Patent No.:** **US D769,464 S**  
(45) **Date of Patent:** **\*\* Oct. 18, 2016**

(54) **WINDOW COMPONENT EXTRUSION**

(71) Applicant: **Mikron Industries, Inc.**, Kent, WA  
(US)

(72) Inventor: **Michael R. Fannan**, Pecatonica, IL  
(US)

(73) Assignee: **Mikron Industries, Inc.**, Kent, WA  
(US)

(\*\*) Term: **15 Years**

(21) Appl. No.: **29/527,793**

(22) Filed: **May 21, 2015**

(51) **LOC (10) Cl.** ..... **25-01**

(52) **U.S. Cl.**  
USPC ..... **D25/124**

(58) **Field of Classification Search**  
USPC ..... D25/44, 48.7, 60, 119–125, 136–137;  
52/204.1, 204.2, 204.5, 204.51,  
52/204.55, 204.61, 204.62, 204.69, 204.7,  
52/204.72, 206, 208, 209, 212, 213, 215,  
52/579, 656.2, 656.4, 656.5, 656.6, 656.7;  
D20/42, 43, 44; D34/35  
CPC ..... E06B 1/02; E06B 1/04; E06B 1/16;  
E06B 1/36; E06B 1/52; E06B 3/305; E06B  
3/22; E06B 3/222; E06B 3/24; E06B  
2003/66385

See application file for complete search history.

(56) **References Cited**

**U.S. PATENT DOCUMENTS**

4,974,364 A \* 12/1990 Durham, Jr. .... E06B 1/366  
49/400  
D537,539 S 2/2007 Franson

D718,881 S \* 12/2014 Fannan ..... D25/119  
D724,763 S \* 3/2015 Fannan ..... D25/124  
D724,764 S 3/2015 Fannan  
D724,766 S \* 3/2015 Fannan ..... D25/124  
D724,768 S \* 3/2015 Cloutier ..... D25/125  
D725,797 S \* 3/2015 Fannan ..... D25/124  
D725,798 S 3/2015 Fannan  
D731,677 S \* 6/2015 Bernier ..... D25/125  
D735,894 S \* 8/2015 Campbell ..... D25/124  
2005/0050815 A1 \* 3/2005 Engebretson ..... E06B 1/345  
52/204.52

\* cited by examiner

*Primary Examiner* — Cynthia Ramirez

*Assistant Examiner* — Llorellys Martinez-Rivera

(74) *Attorney, Agent, or Firm* — Zollinger & Burleson  
Ltd.

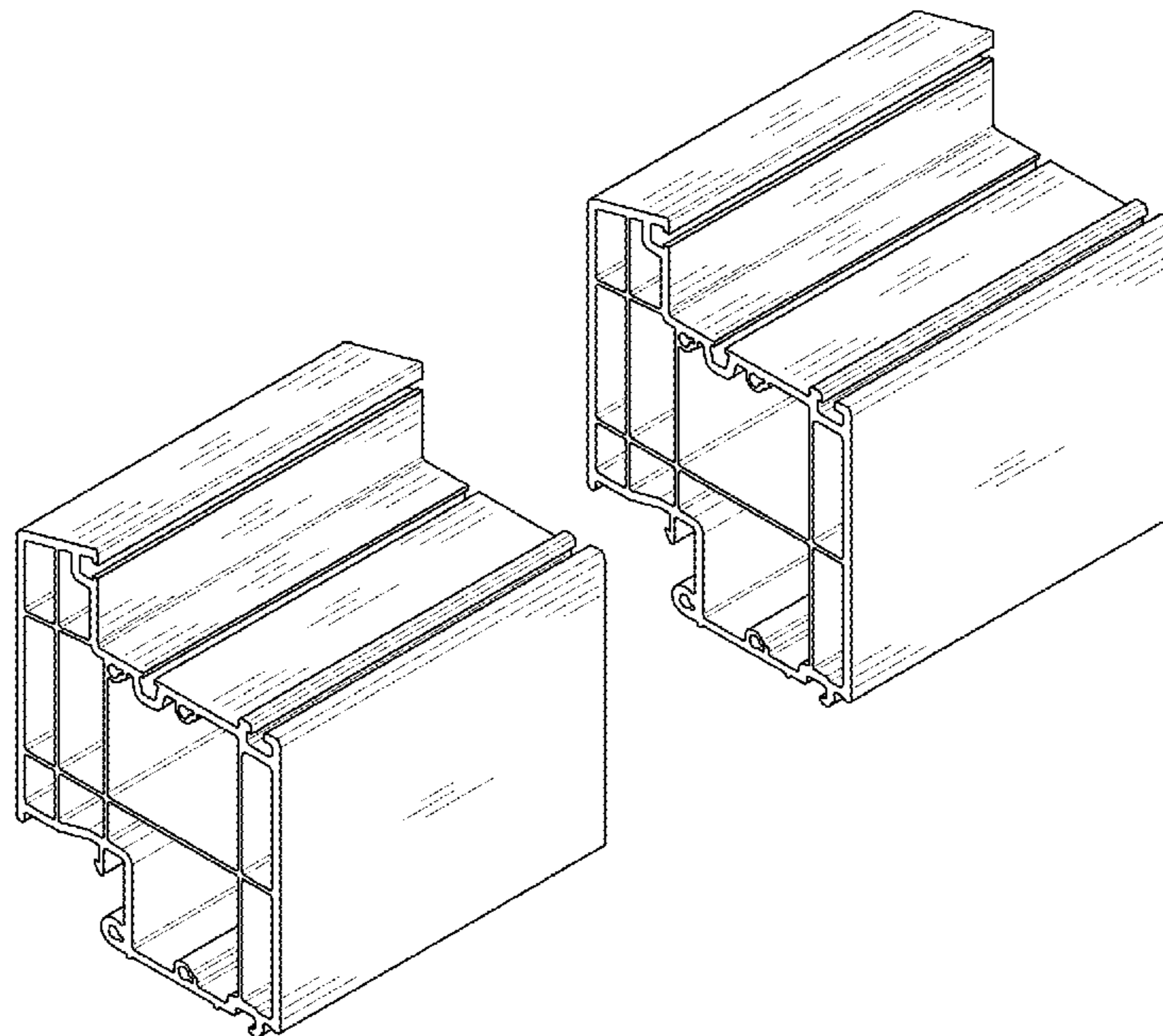
(57) **CLAIM**

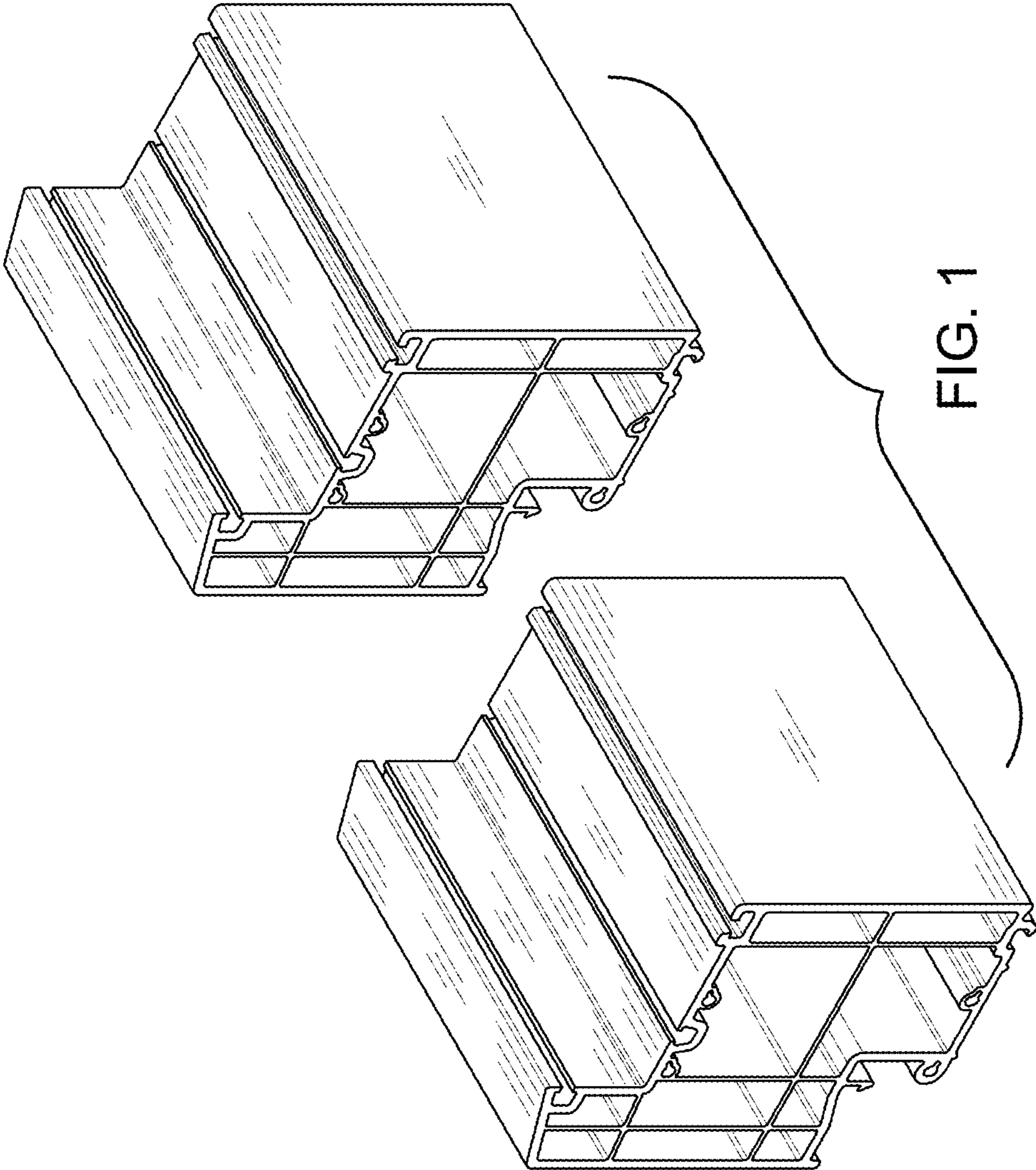
The ornamental design for a window component extrusion,  
as shown and described.

**DESCRIPTION**

FIG. 1 is a top perspective view of the window component  
extrusion showing my new design; and,  
FIG. 2 is a bottom perspective view thereof.  
The window component extrusion is shown with a symbolic  
break in its length. The appearance of any portion of the  
window component extrusion between the break lines forms  
no part of the claimed design.

**1 Claim, 2 Drawing Sheets**





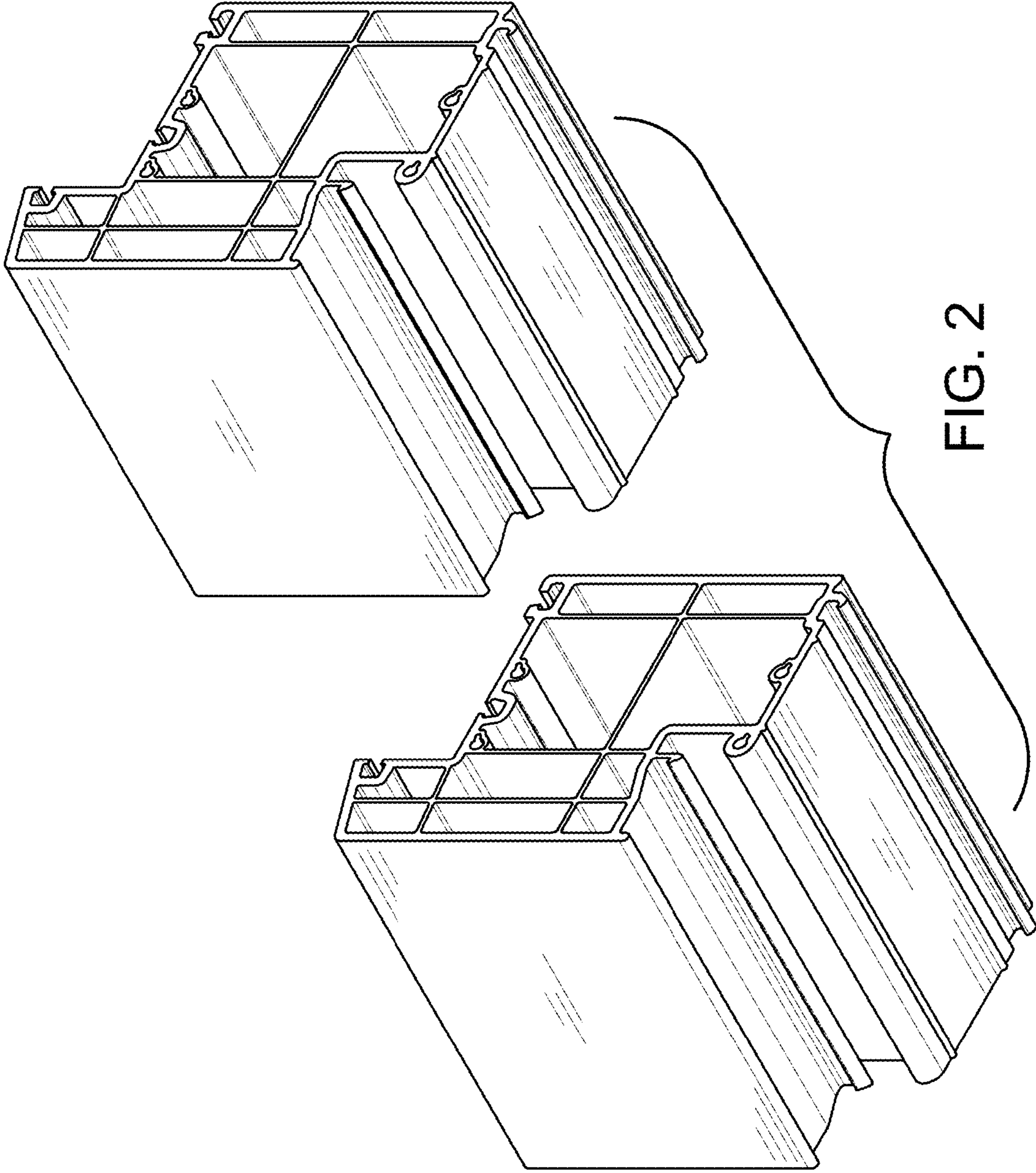


FIG. 2