

US00D769461S

(12) **United States Design Patent** (10) **Patent No.:** **US D769,461 S**  
**Mumford, Sr.** (45) **Date of Patent:** **\*\* Oct. 18, 2016**

(54) **TILE TRIM**

(71) Applicant: **Drew Donald Mumford, Sr.**, Newport Coast, CA (US)

(72) Inventor: **Drew Donald Mumford, Sr.**, Newport Coast, CA (US)

(73) Assignee: **Columbia Aluminum Products, LLC**, City of Commerce, CA (US)

(\*\*) Term: **15 Years**

(21) Appl. No.: **29/538,205**

(22) Filed: **Sep. 1, 2015**

**Related U.S. Application Data**

(63) Continuation-in-part of application No. 29/532,554, filed on Jul. 8, 2015.

(51) **LOC (10) Cl.** ..... **25-01**

(52) **U.S. Cl.**  
USPC ..... **D25/119**

(58) **Field of Classification Search**  
USPC ..... D25/119, 69, 125, 136, 123, 35, 61,  
D25/121; 52/506.06, 506.07, 716.1, 287.1,  
52/717.05, 717.06  
CPC ... E04F 19/062; E04F 19/022; E04F 19/061;  
E04F 19/064; E04F 19/065; E04F 9/008  
See application file for complete search history.

(56) **References Cited**

**U.S. PATENT DOCUMENTS**

D275,036 S \* 8/1984 Lloyd-Jones ..... D25/119  
6,238,773 B1 5/2001 Schluter

(Continued)

*Primary Examiner* — Cynthia Ramirez

*Assistant Examiner* — Gino Colan

(74) *Attorney, Agent, or Firm* — Hankin Patent Law,  
APC; Jimmy Sauz; Kevin Schraven

(57) **CLAIM**

The ornamental design for a tile trim, as shown and described.

**DESCRIPTION**

FIG. 1 is a top perspective view of a first embodiment of a tile trim, showing my new design.

FIG. 2 is a front elevational view thereof.

FIG. 3 is a rear elevational view thereof.

FIG. 4 is a left side elevational view thereof.

FIG. 5 is a right side elevational view thereof.

FIG. 6 is a top plan view thereof.

FIG. 7 is a bottom plan view thereof.

FIG. 8 is a top perspective view of a second embodiment of a tile trim, showing my new design.

FIG. 9 is a front elevational view thereof.

FIG. 10 is a rear elevational view thereof.

FIG. 11 is a left side elevational view thereof.

FIG. 12 is a right side elevational view thereof.

FIG. 13 is a top plan view thereof.

FIG. 14 is a bottom plan view thereof.

FIG. 15 is a top perspective view of a third embodiment of a tile trim, showing my new design.

FIG. 16 is a front elevational view thereof.

FIG. 17 is a rear elevational view thereof.

FIG. 18 is a left side elevational view thereof.

FIG. 19 is a right side elevational view thereof.

FIG. 20 is a top plan view thereof.

FIG. 21 is a bottom plan view thereof.

FIG. 22 is a top perspective view of a fourth embodiment of a tile trim, showing my new design.

FIG. 23 is a front elevational view thereof.

FIG. 24 is a rear elevational view thereof.

FIG. 25 is a left side elevational view thereof.

FIG. 26 is a right side elevational view thereof.

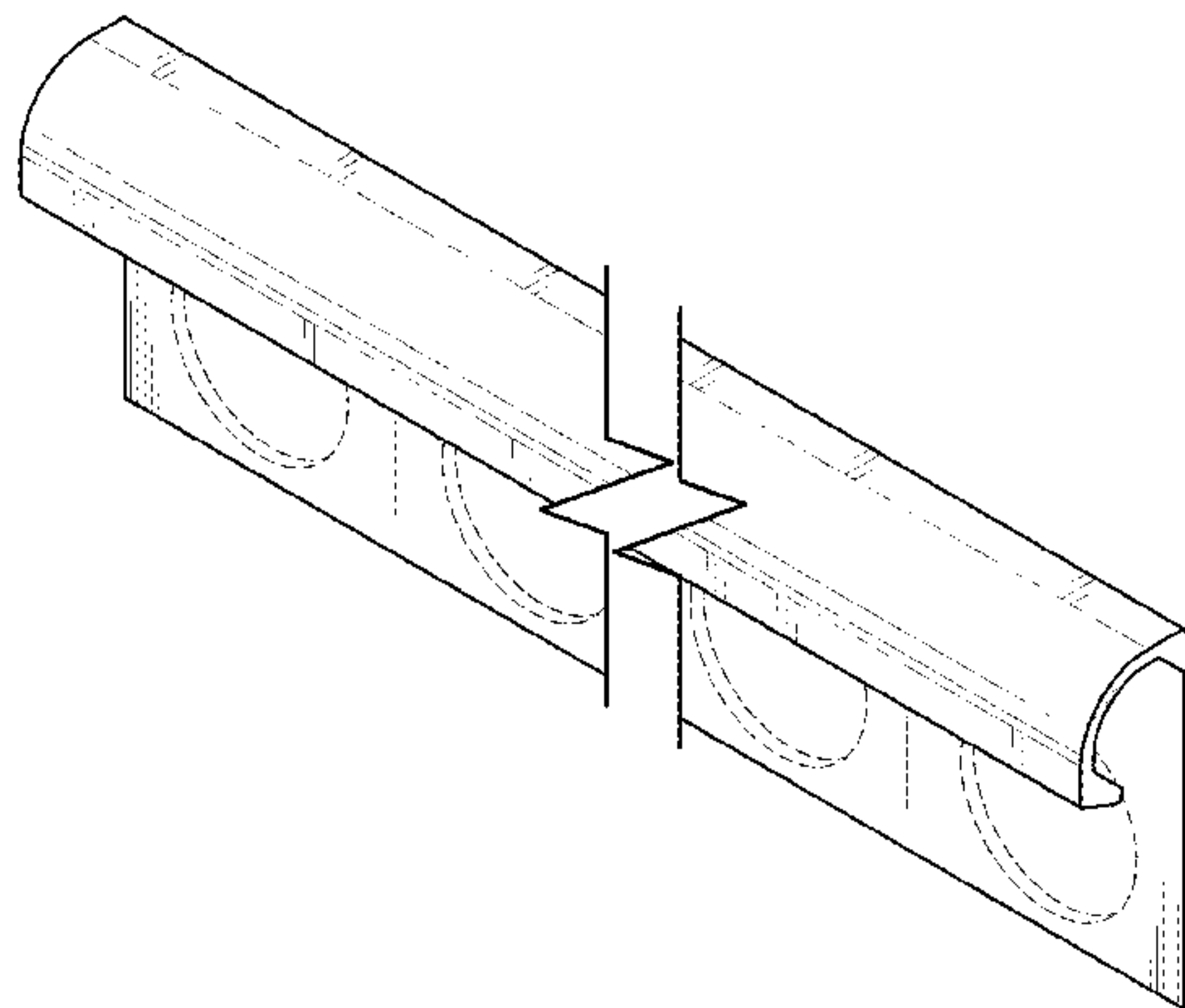
FIG. 27 is a top plan view thereof; and,

FIG. 28 is a bottom plan view thereof.

The broken lines showing holes in the tile trim are for the purpose of illustrating environmental structure and unclaimed subject matter and form no part of the claimed design.

The tile trim is shown with a symbolic break in its length. The appearance of any portion of the article between the break lines forms no part of the claimed design.

**1 Claim, 12 Drawing Sheets**



# US D769,461 S

Page 2

---

(56)

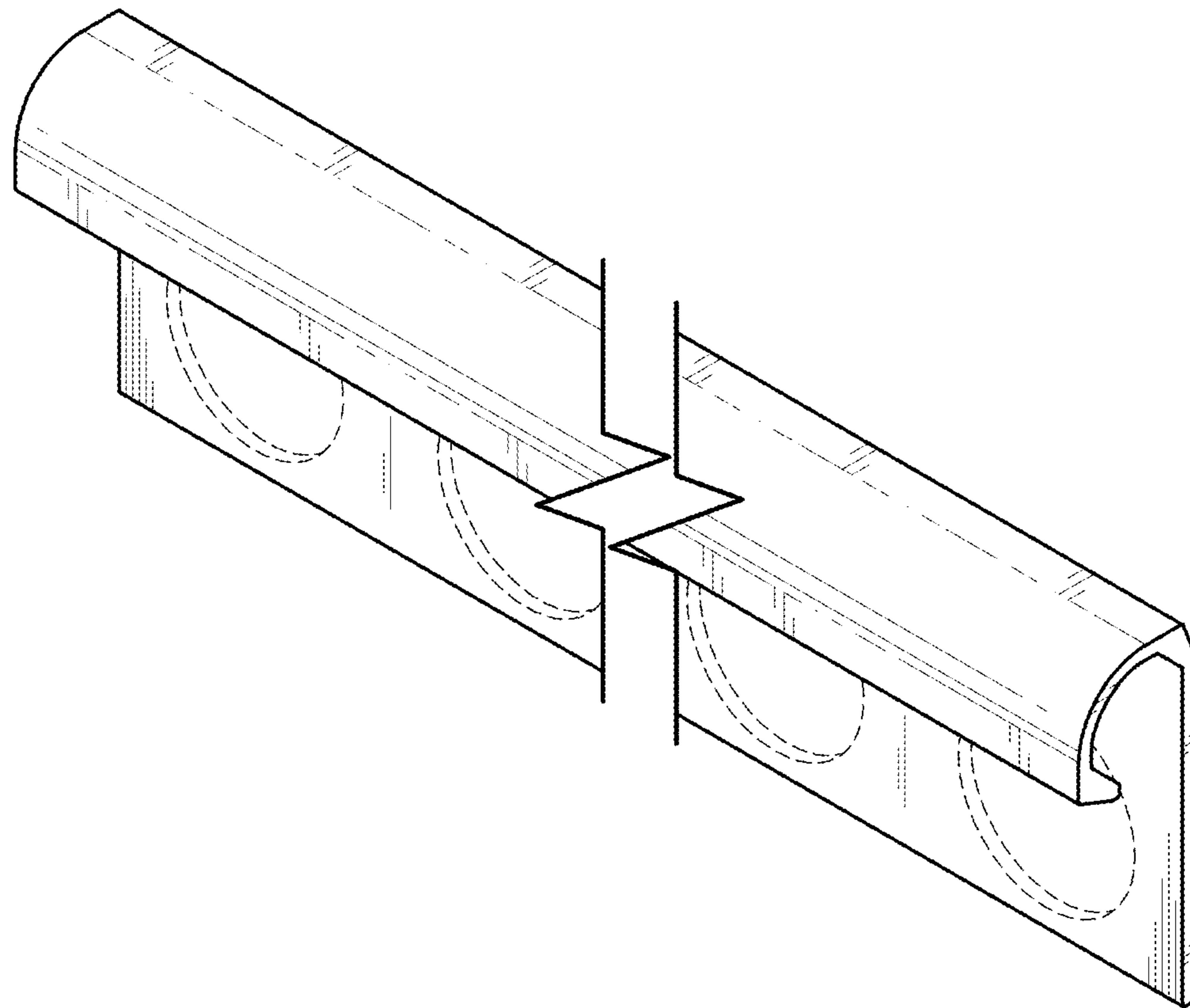
## References Cited

### U.S. PATENT DOCUMENTS

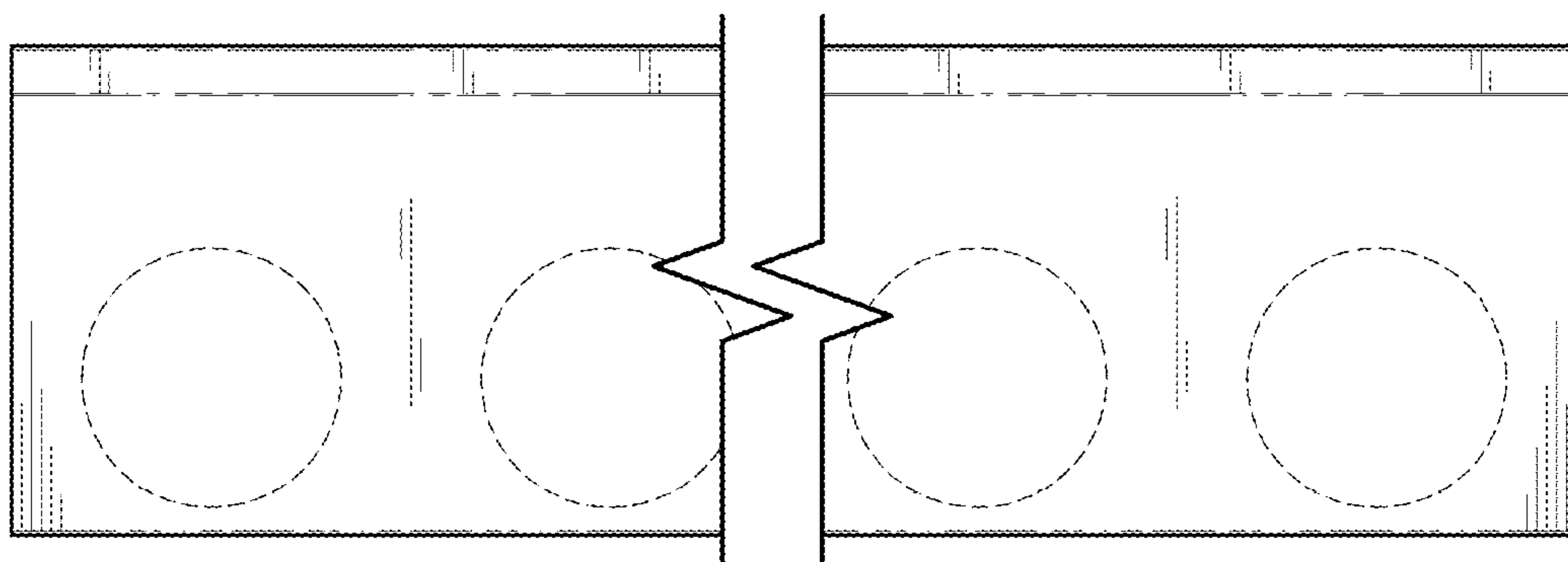
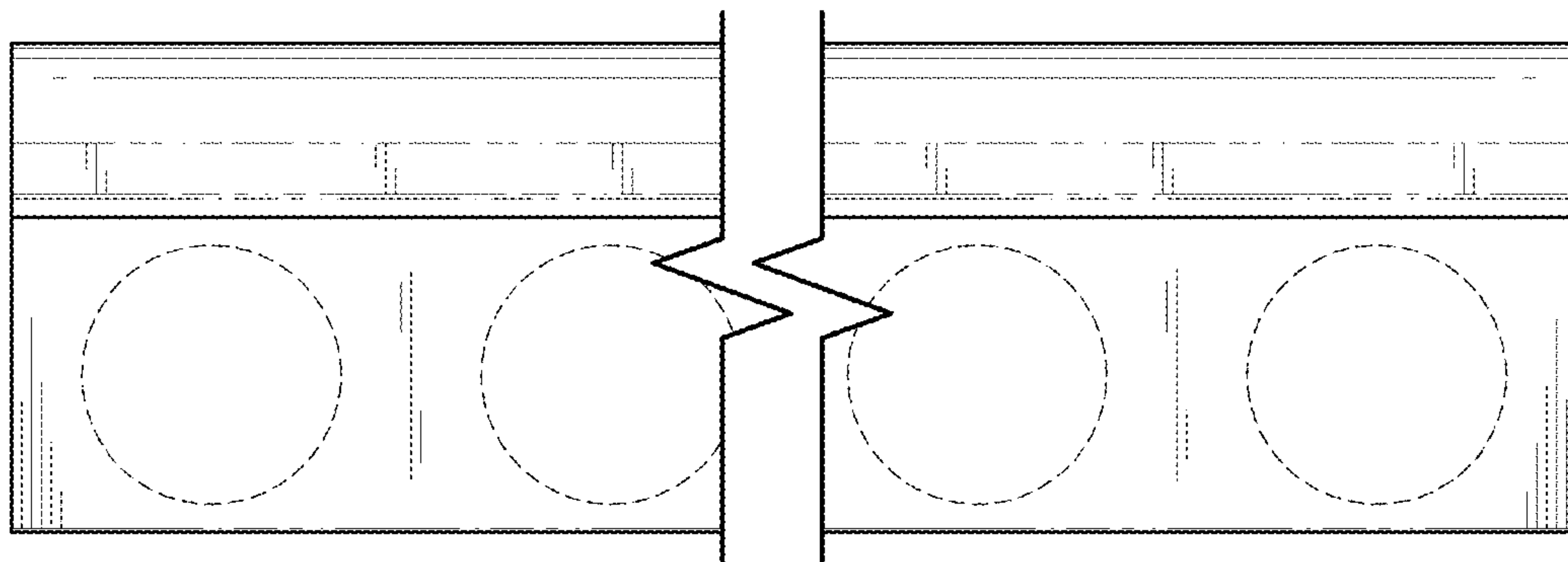
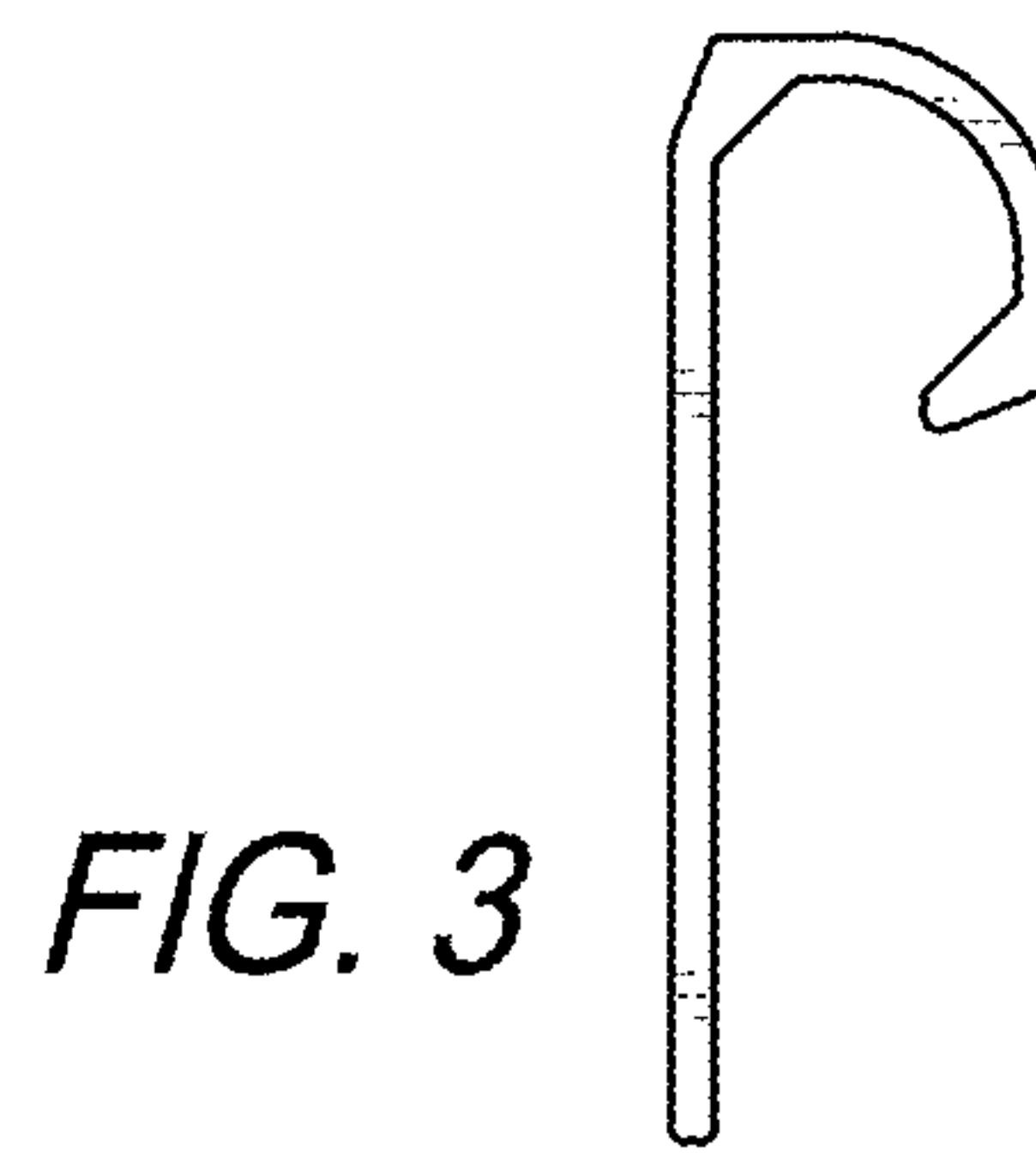
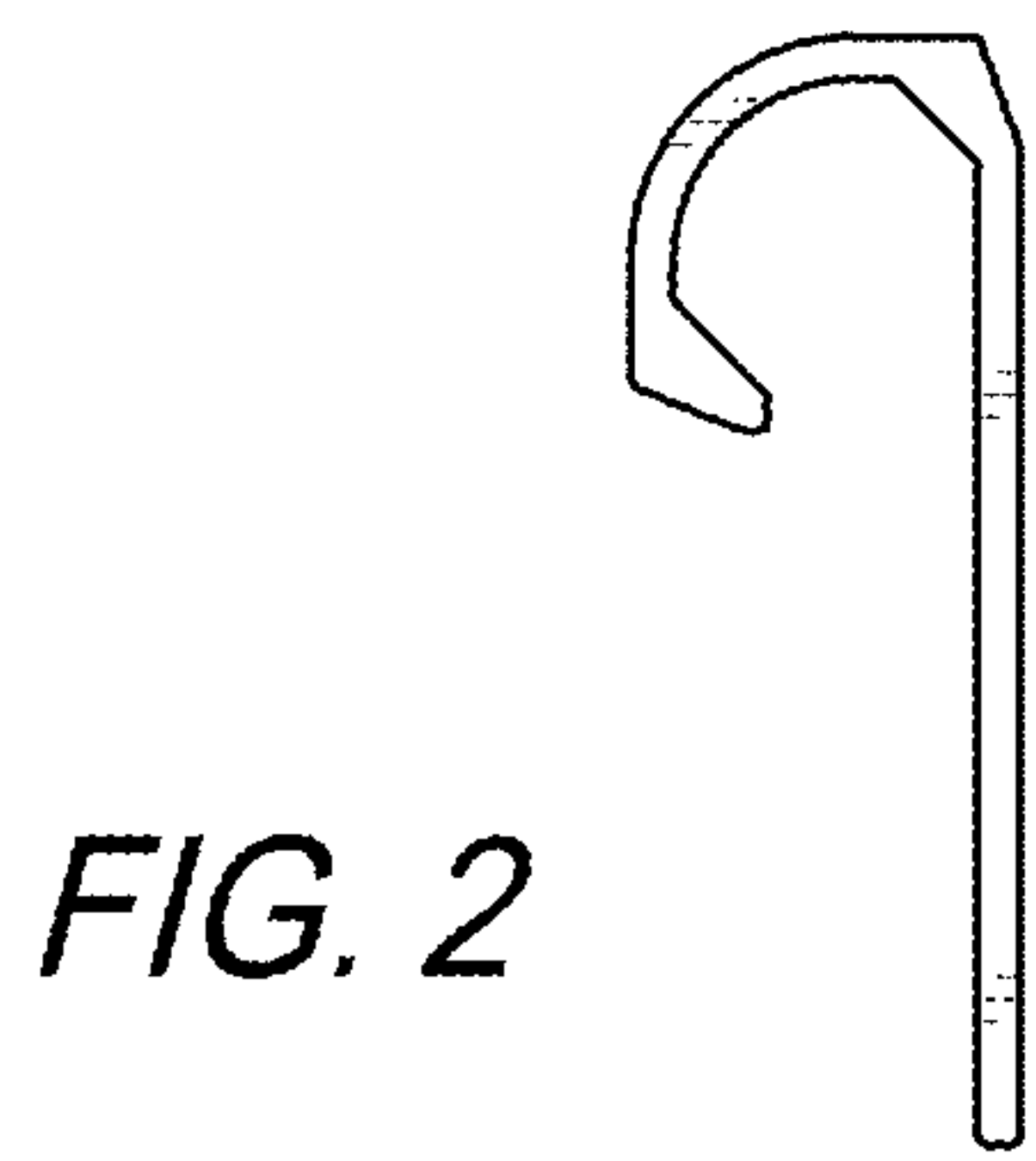
6,357,192 B1 3/2002 Schluter  
D513,535 S \* 1/2006 Fischer ..... D25/119  
D529,630 S \* 10/2006 Zarb ..... D25/119  
D563,567 S \* 3/2008 Fischer ..... D25/119

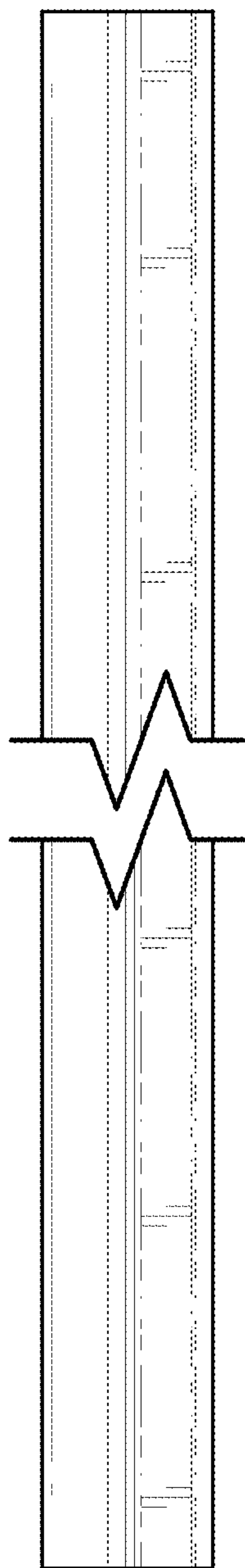
D711,554 S \* 8/2014 Singh ..... D25/119  
D711,556 S \* 8/2014 Singh ..... D25/119  
D742,546 S \* 11/2015 Singh ..... D25/119  
D742,547 S \* 11/2015 Singh ..... D25/119  
D750,806 S \* 3/2016 Singh ..... D25/119  
2001/0017015 A1 8/2001 Schluter

\* cited by examiner

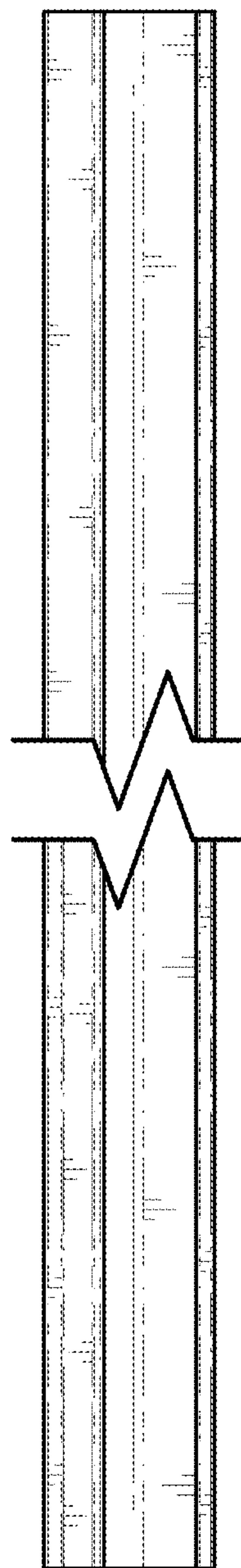


*FIG. 1*

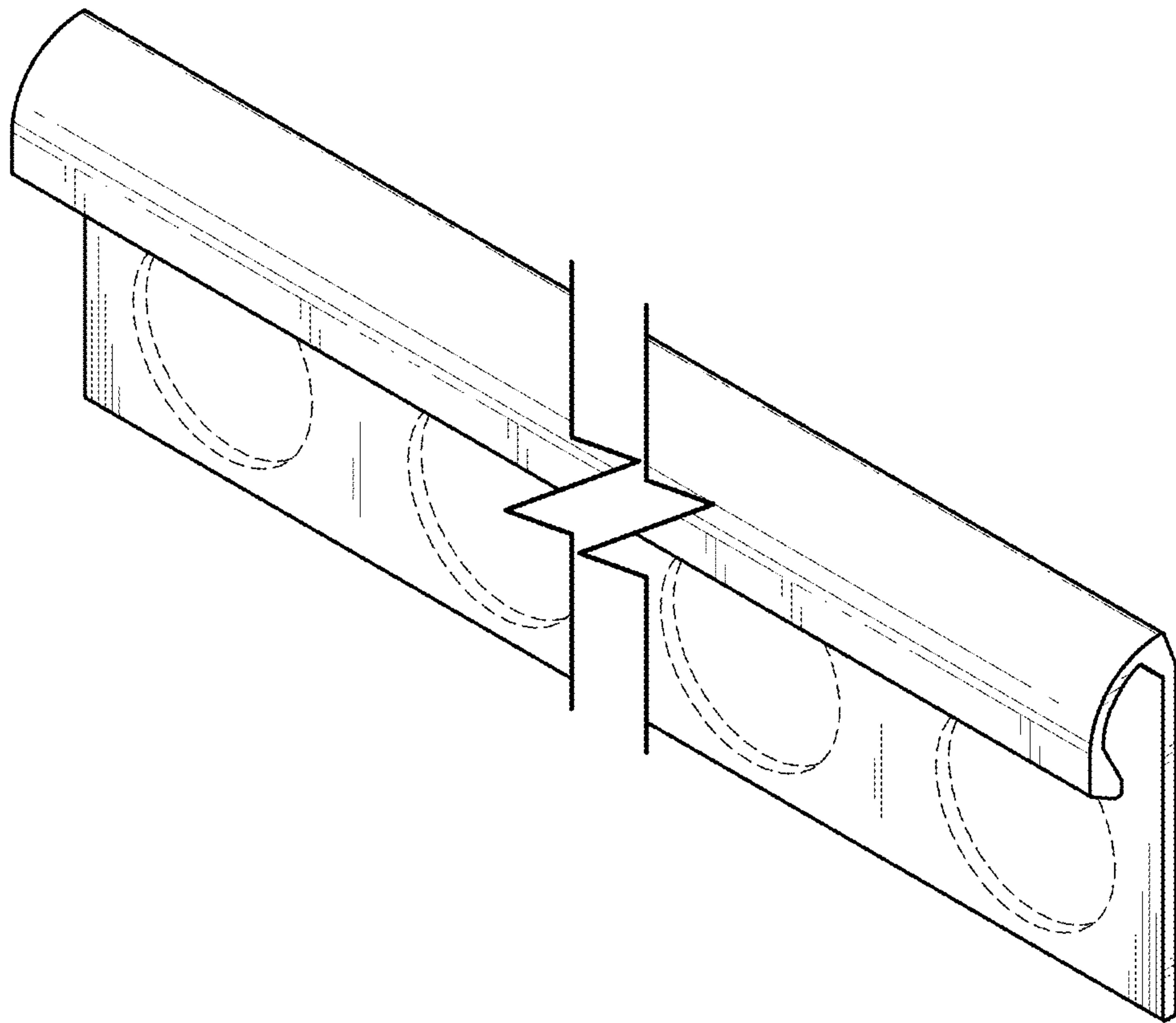




*FIG. 6*

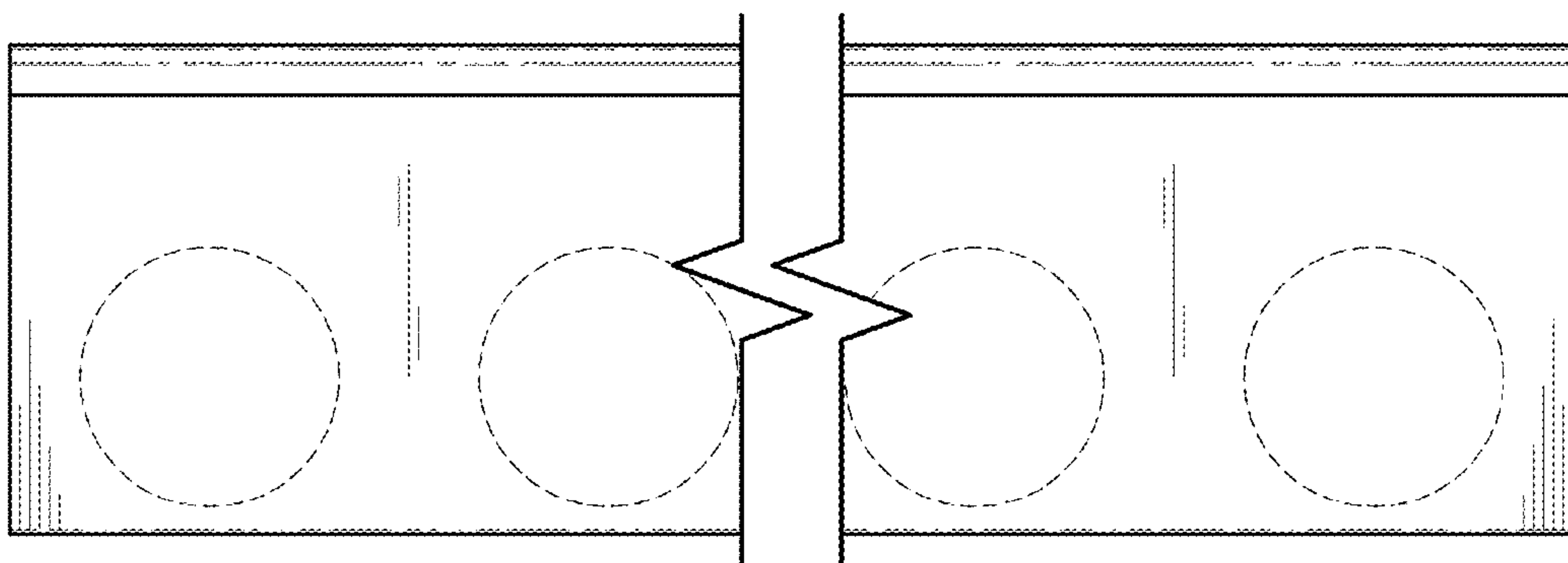
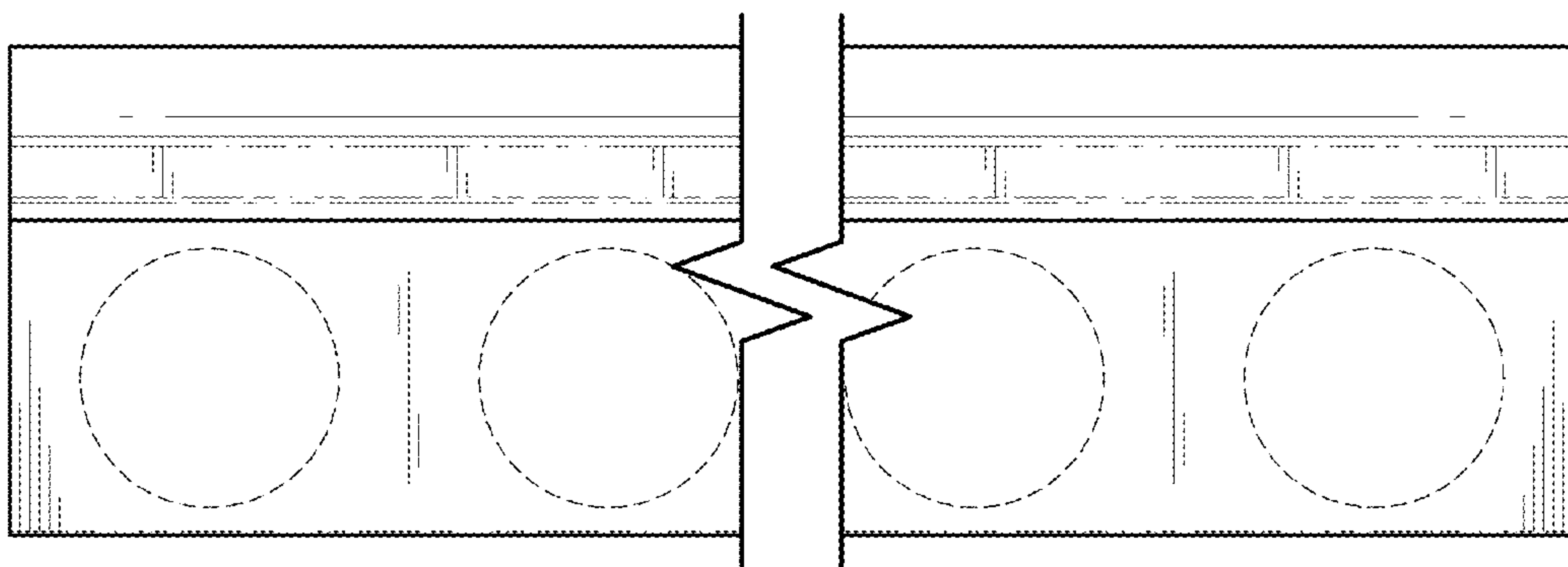
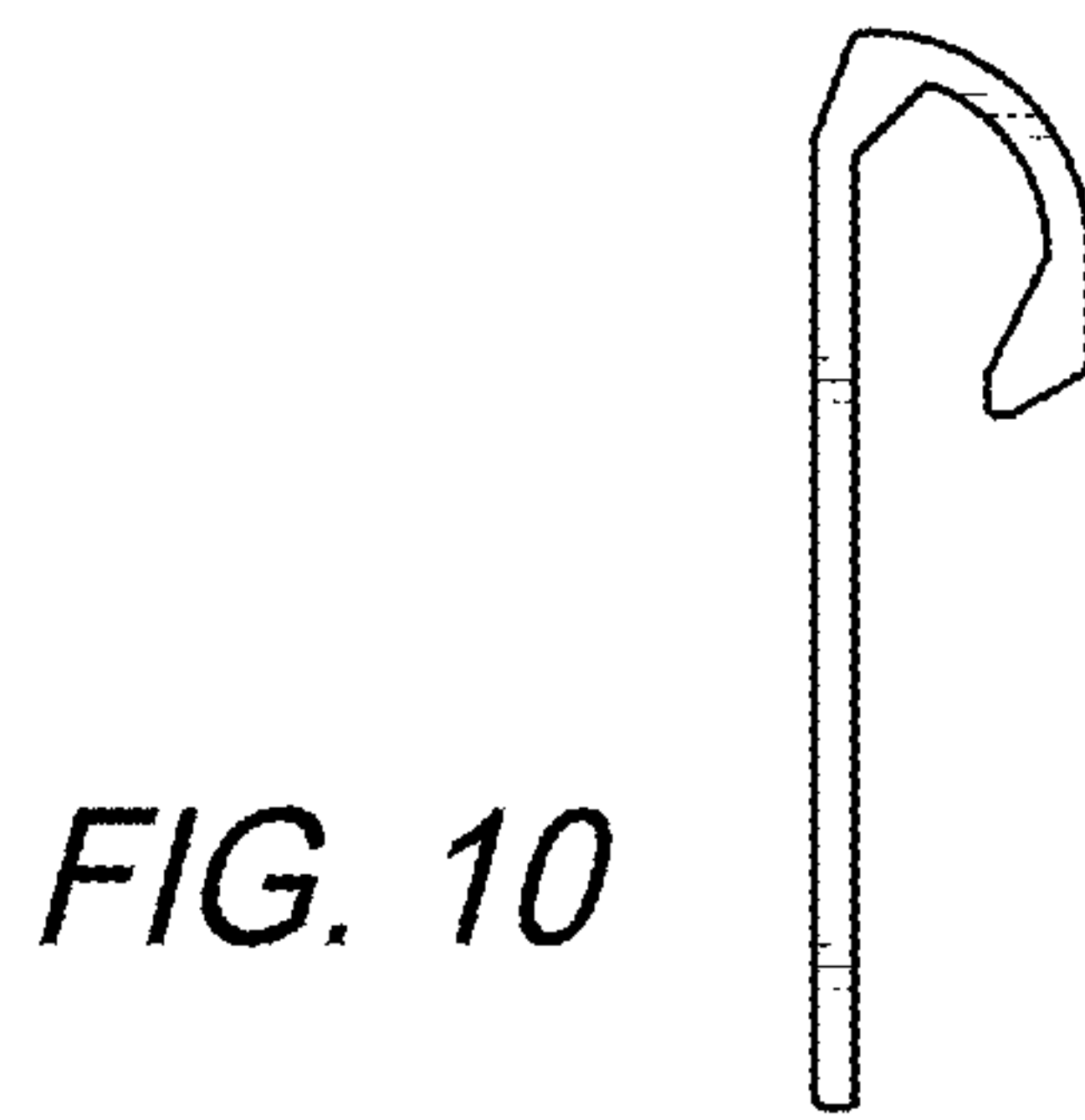
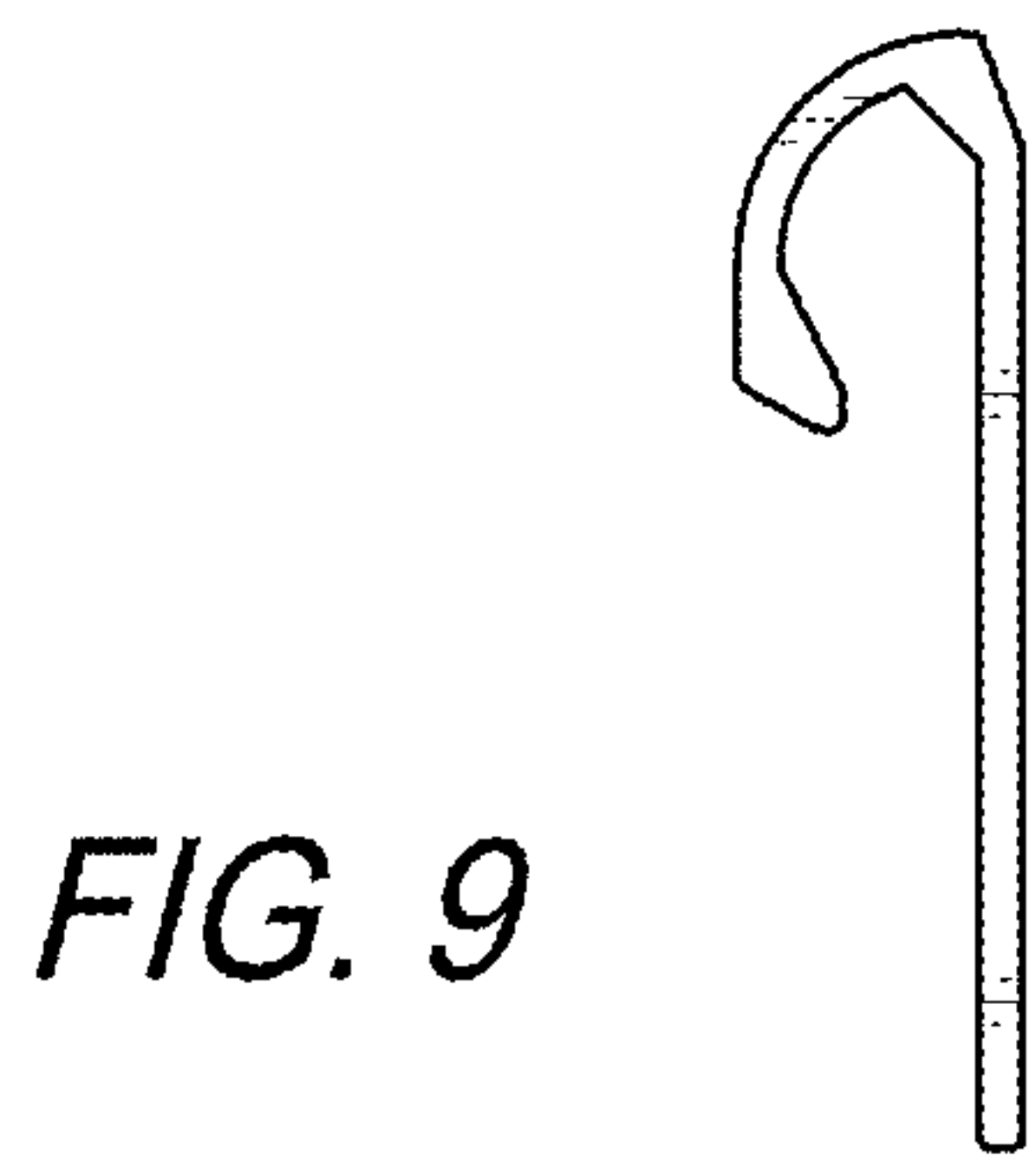


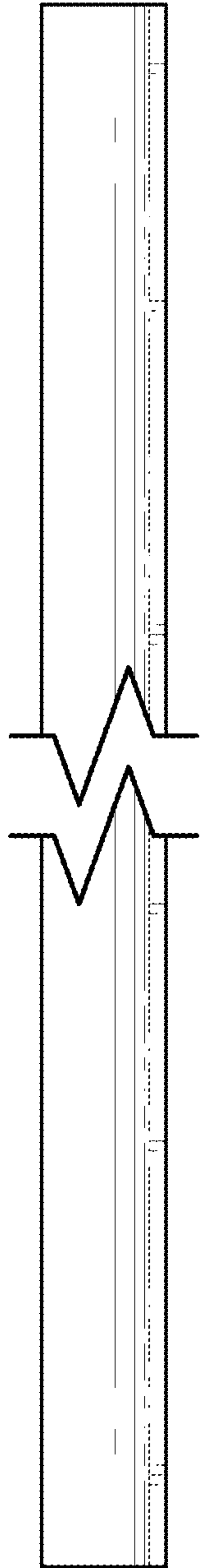
*FIG. 7*



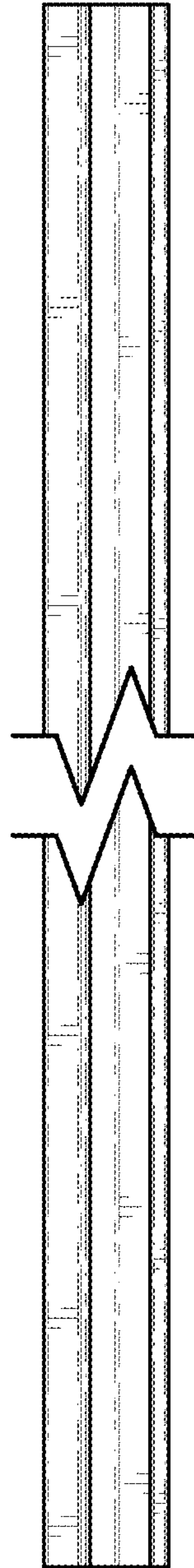
*FIG. 8*





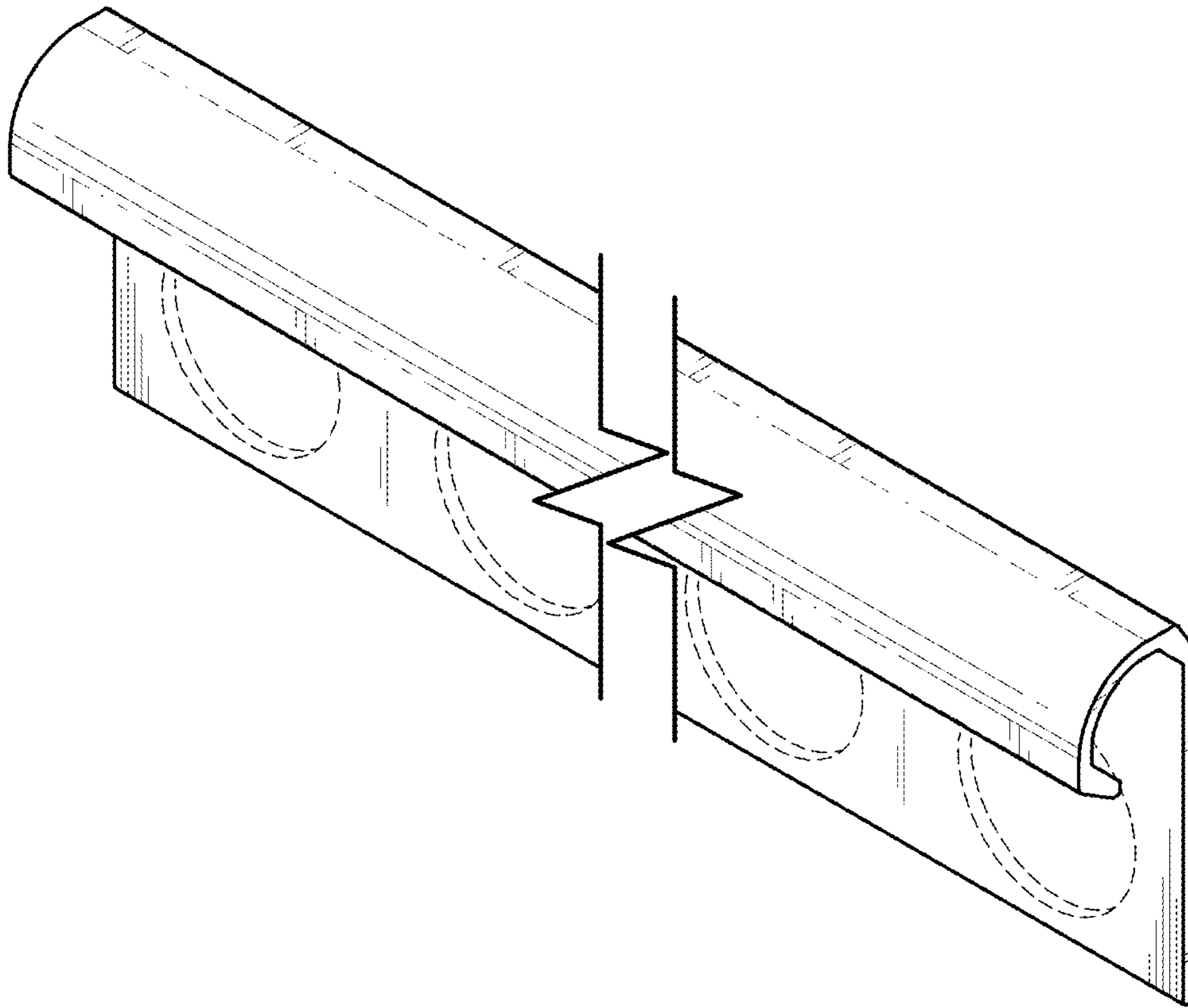


*FIG. 13*

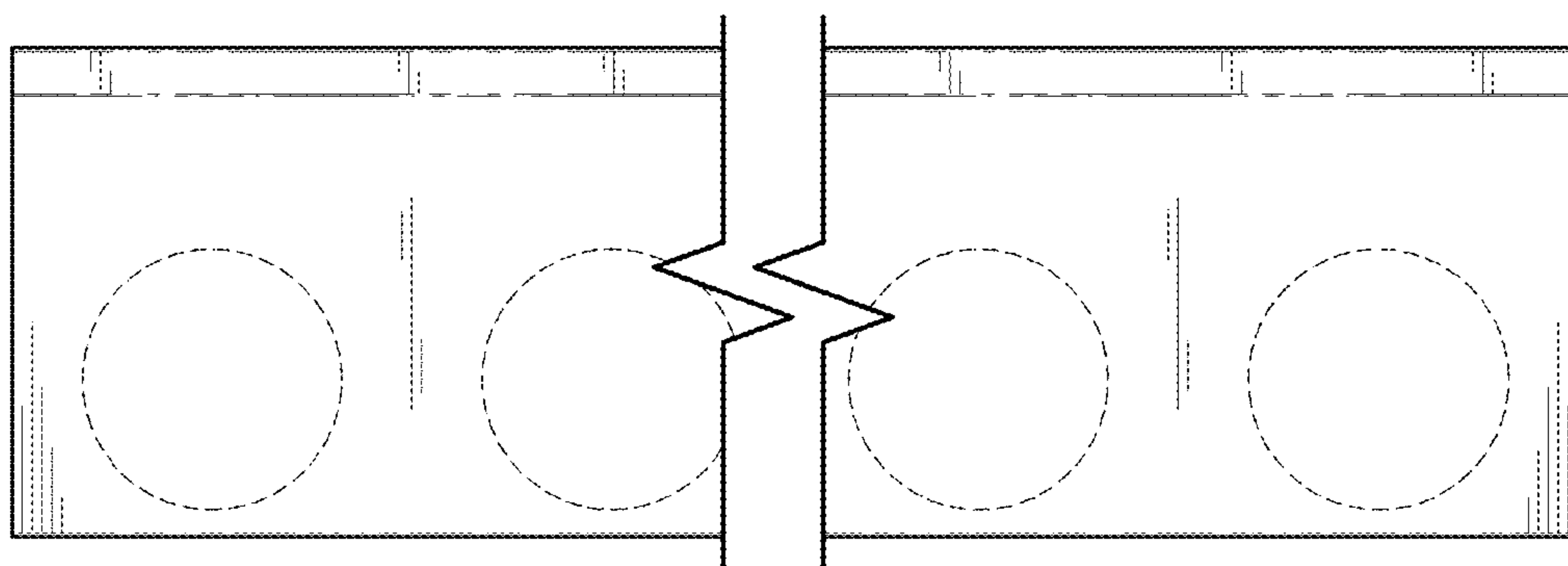
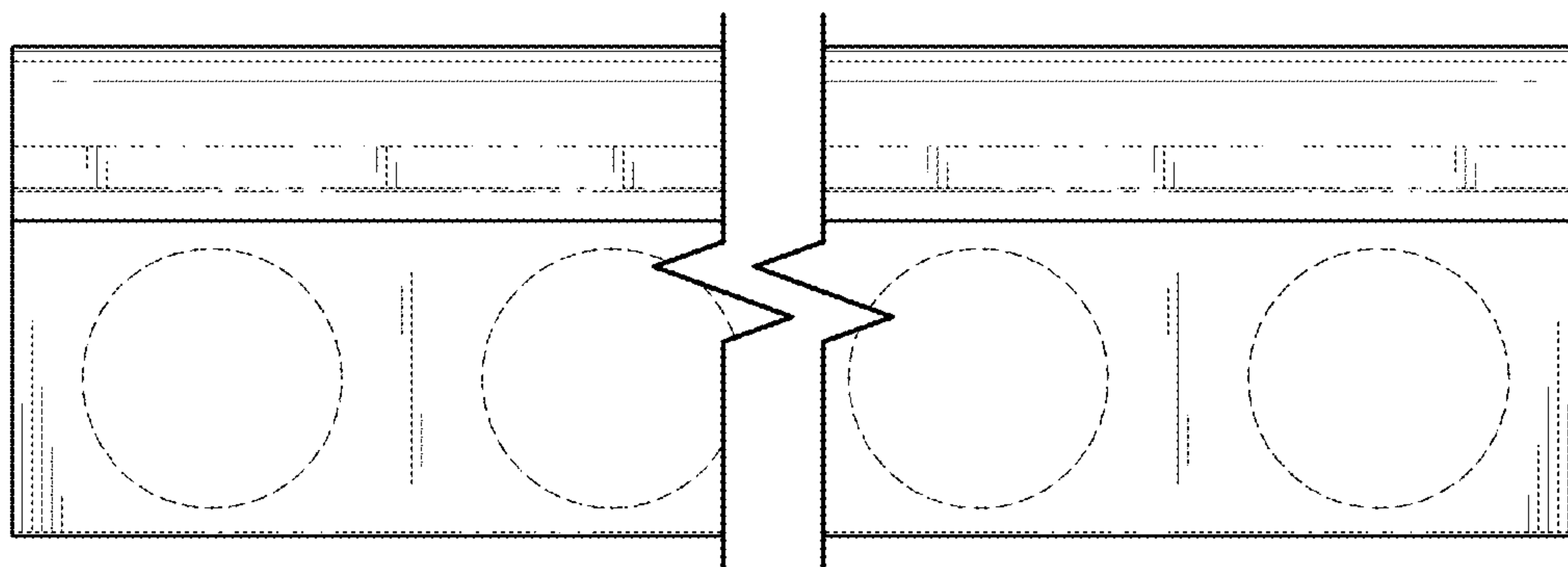
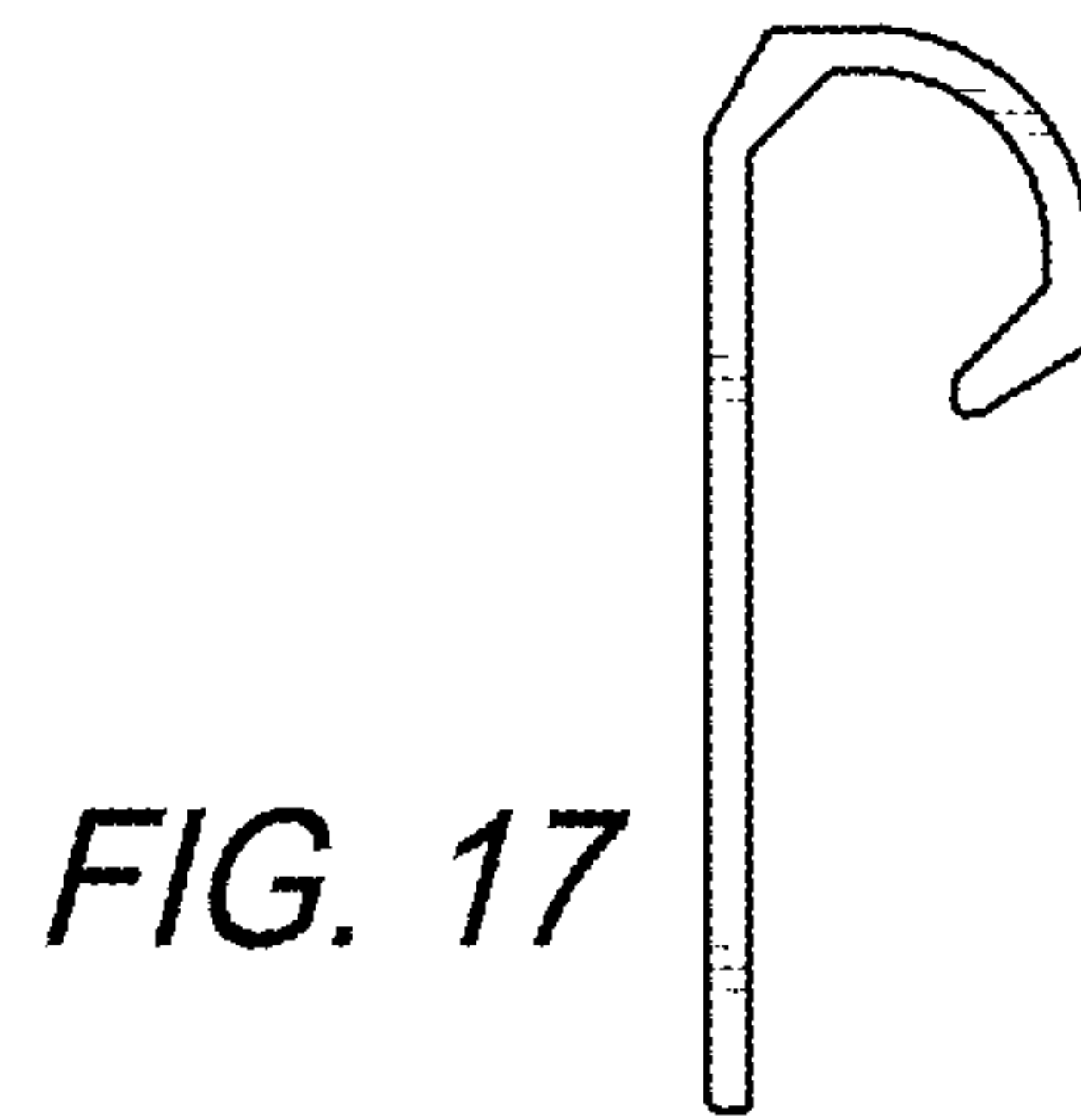
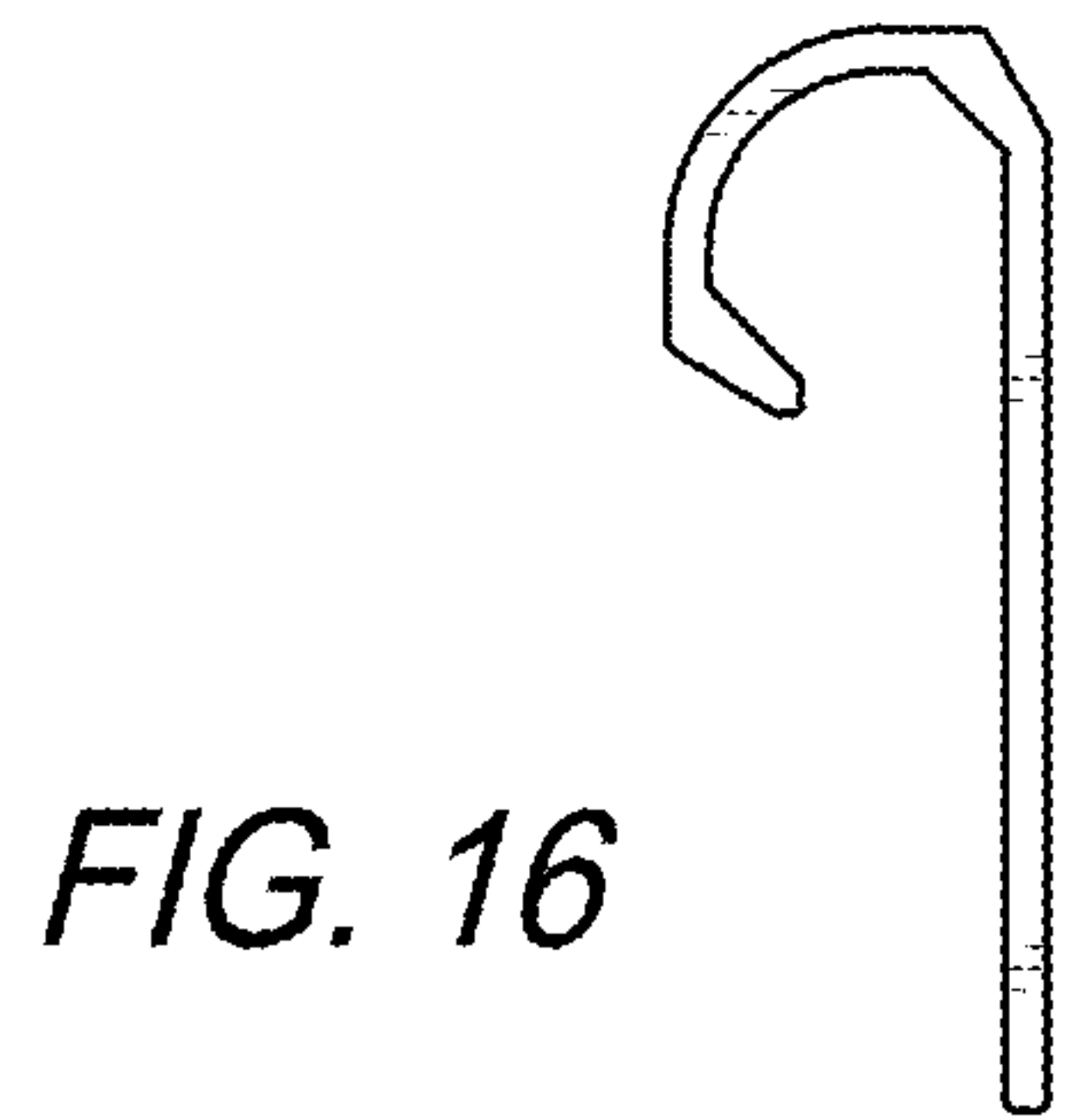


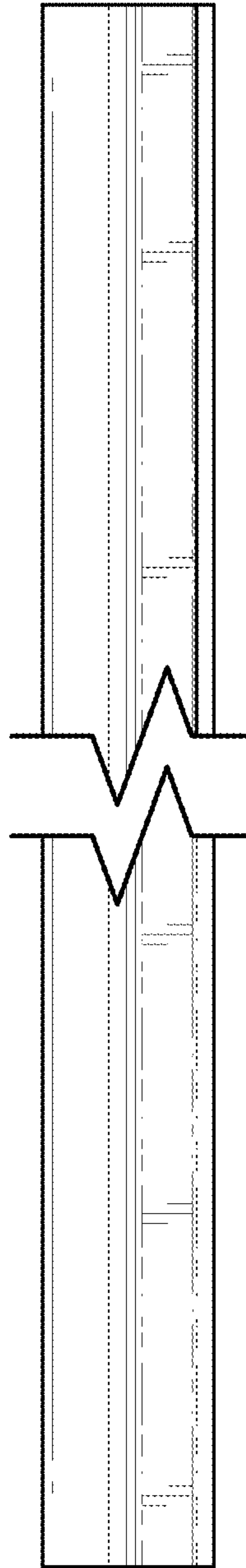
*FIG. 14*



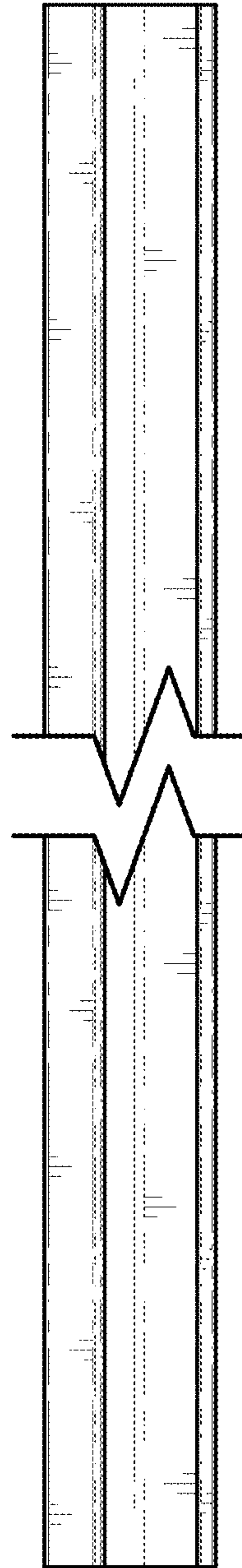


*FIG. 15*

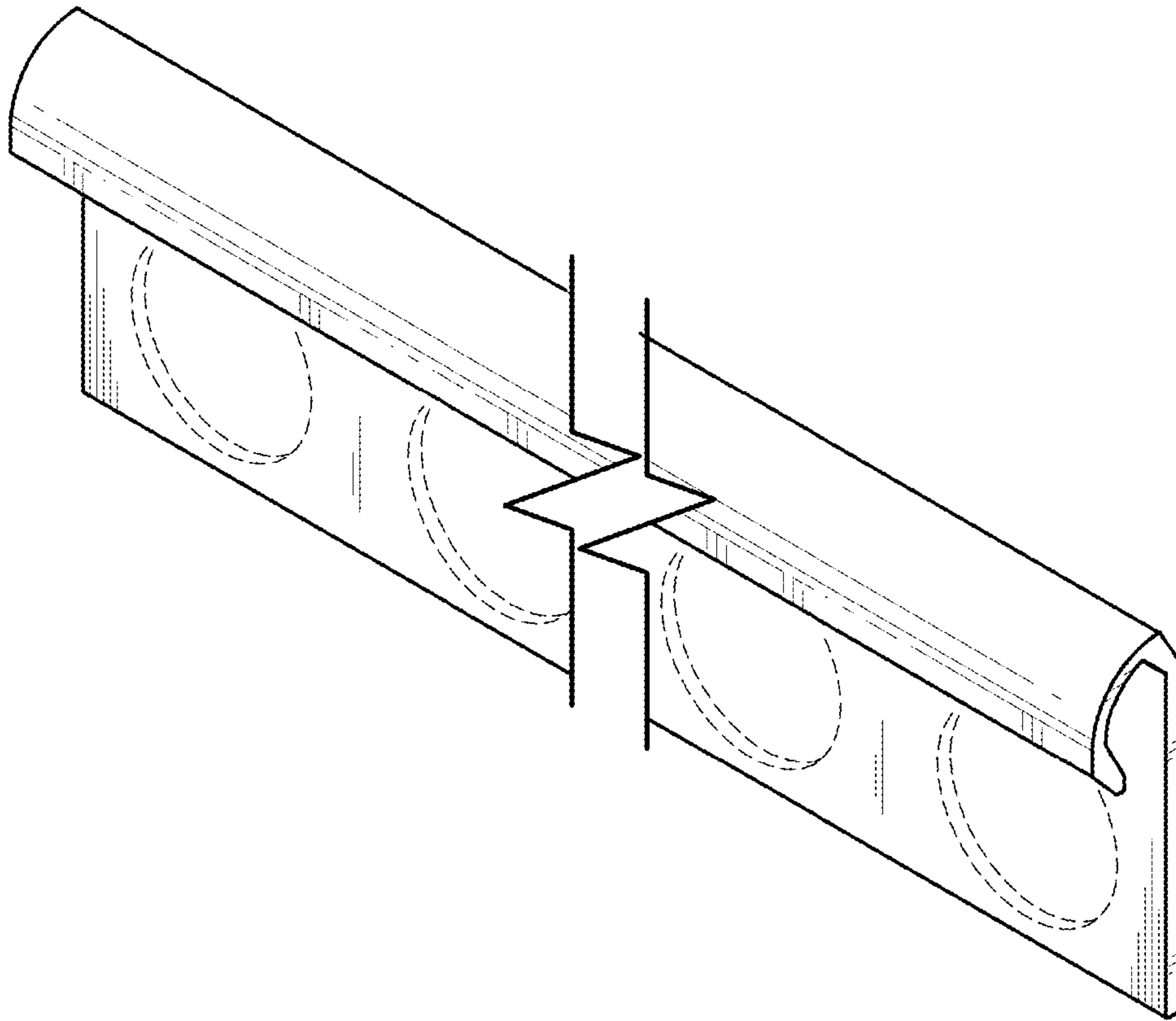




*FIG. 20*



*FIG. 21*



*FIG. 22*

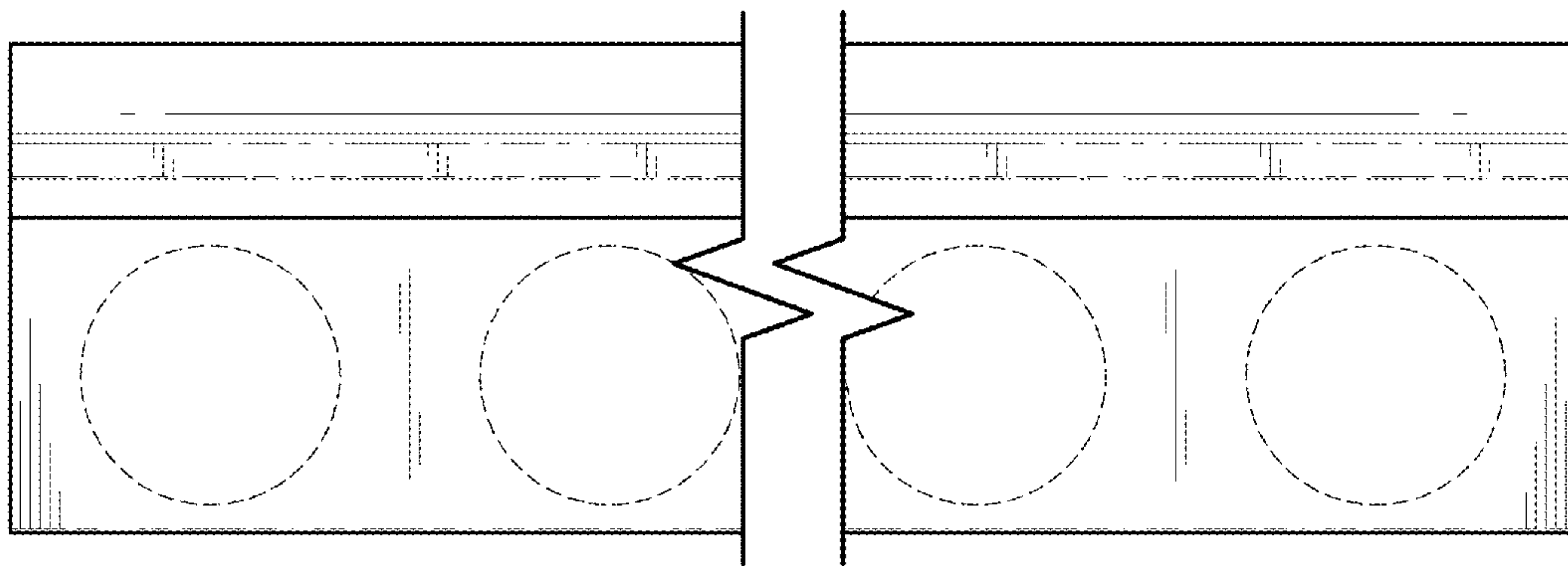
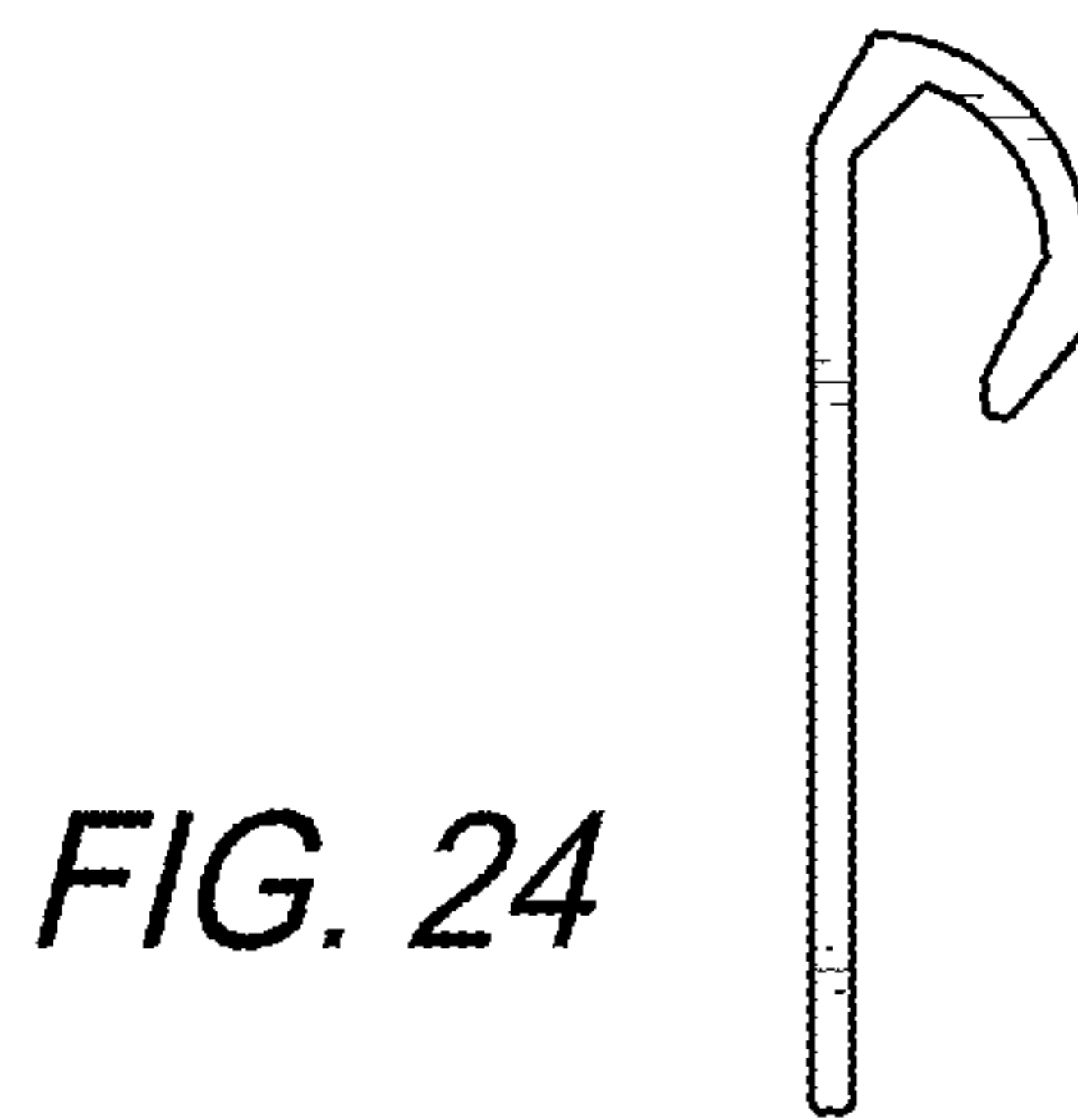
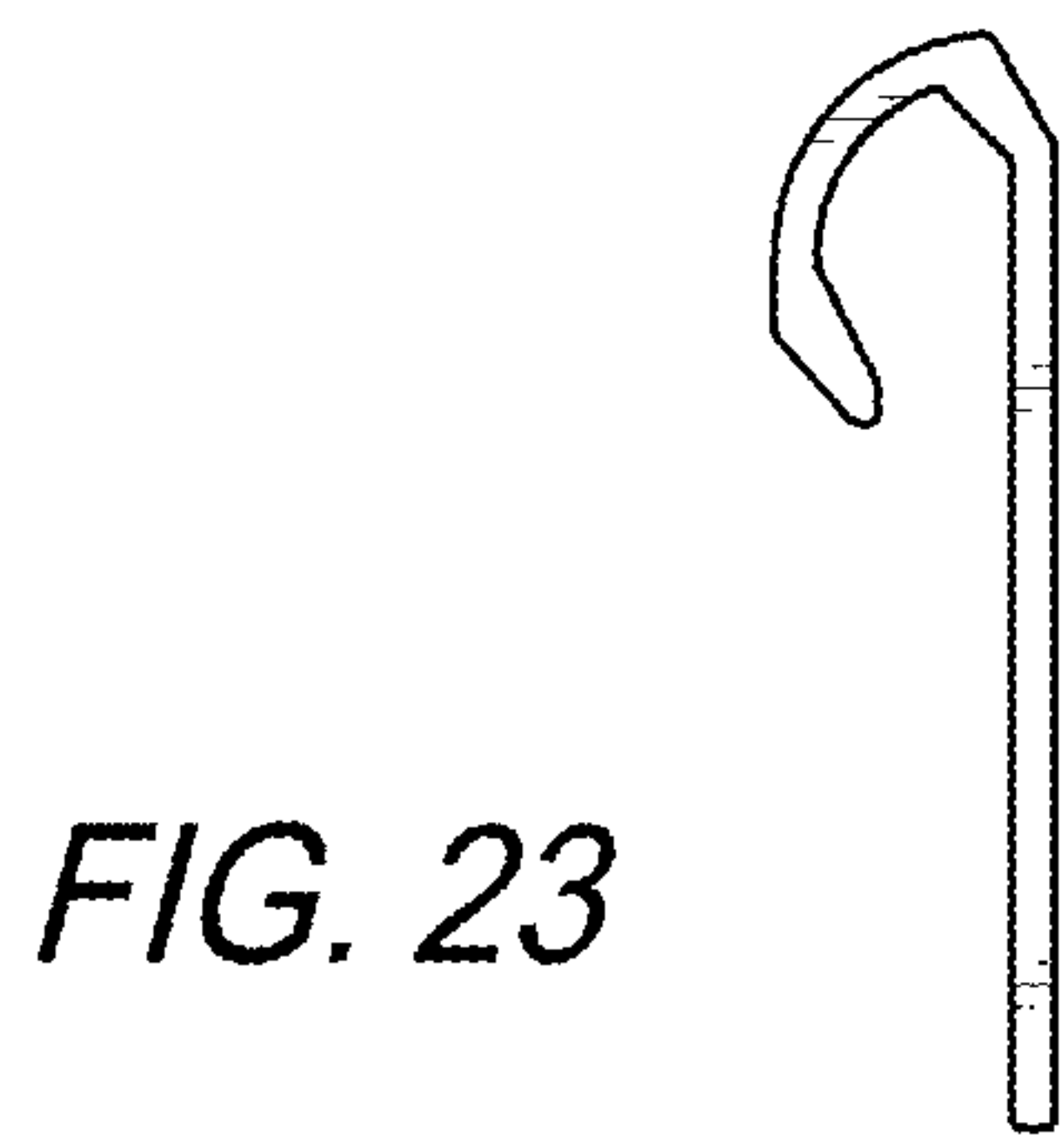


FIG. 25

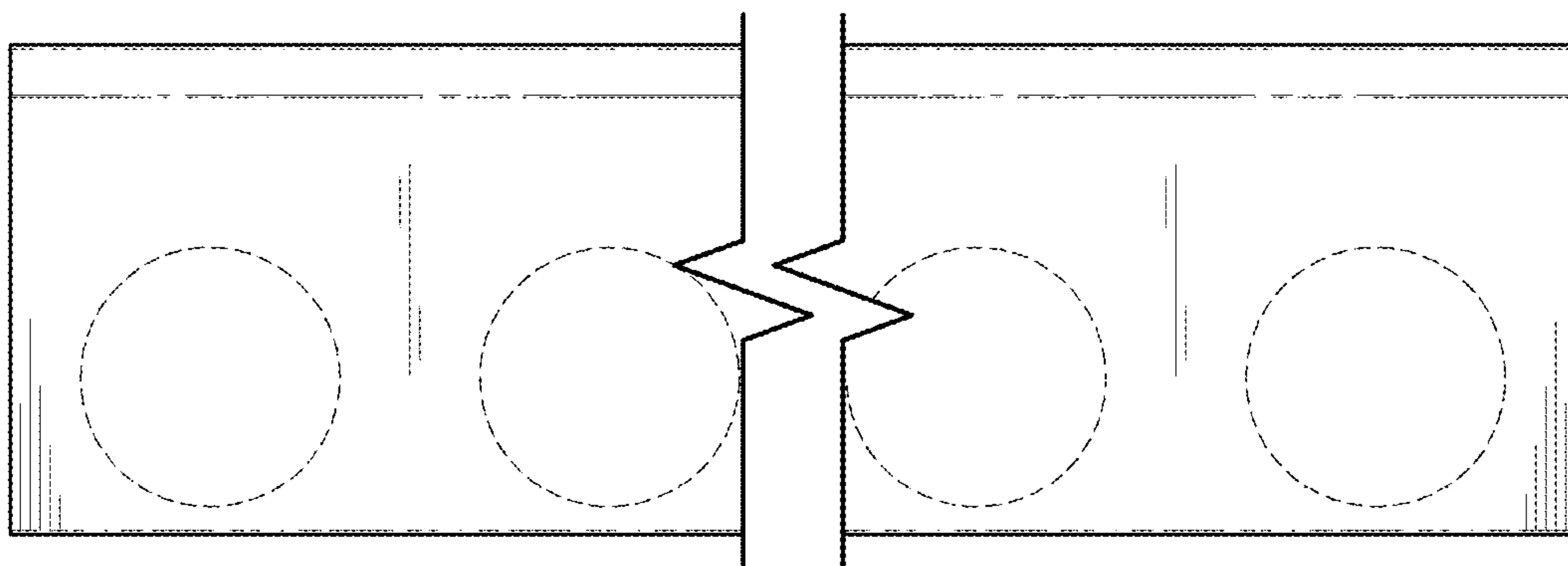
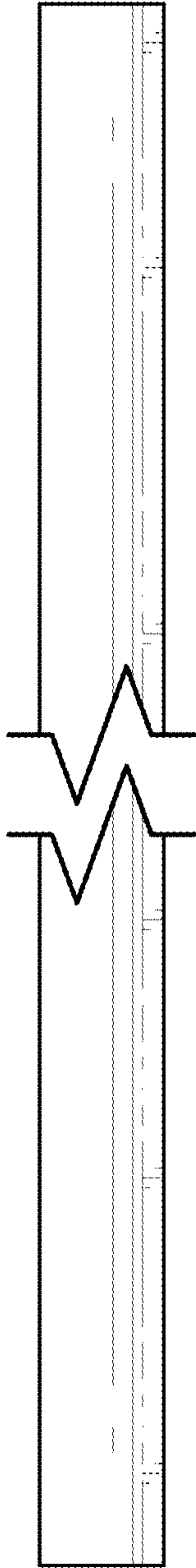
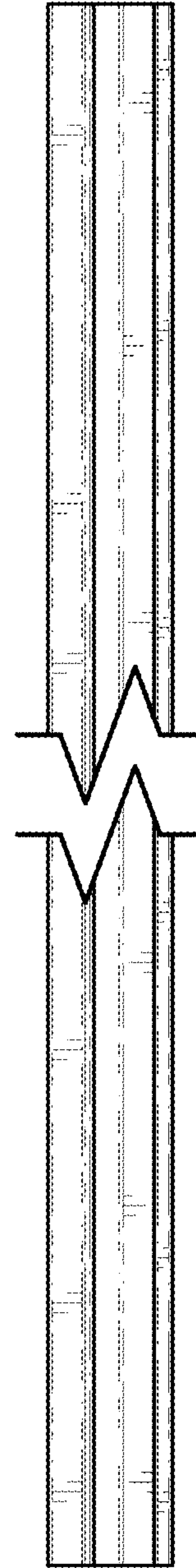


FIG. 26



*FIG. 27*



*FIG. 28*