



US00D769460S

(12) **United States Design Patent** (10) **Patent No.:** **US D769,460 S**
Mumford, Sr. (45) **Date of Patent:** **** Oct. 18, 2016**

- (54) **TILE TRIM**
- (71) Applicant: **Drew Donald Mumford, Sr.**, Newport Coast, CA (US)
- (72) Inventor: **Drew Donald Mumford, Sr.**, Newport Coast, CA (US)
- (73) Assignee: **Columbia Aluminum Products, LLC**, City of Commerce, CA (US)
- (**) Term: **15 Years**
- (21) Appl. No.: **29/538,199**
- (22) Filed: **Sep. 1, 2015**

D518,186 S *	3/2006	Zarb	D25/119
7,578,106 B2 *	8/2009	Burns	E04B 9/30 52/506.06
D668,352 S *	10/2012	Field	D25/119
D693,483 S *	11/2013	Krieger	D25/119
2001/0017015 A1	8/2001	Schluter	
2015/0000219 A1 *	1/2015	Yarmo	E04F 13/0733 52/309.4

* cited by examiner

Primary Examiner — Cynthia Ramirez
Assistant Examiner — Gino Colan
(74) *Attorney, Agent, or Firm* — Hankin Patent Law, APC; Jimmy Sauz; Kevin Schraven

(57) **CLAIM**

The ornamental design for a tile trim, as shown and described.

Related U.S. Application Data

- (63) Continuation-in-part of application No. 29/532,547, filed on Jul. 8, 2015.
- (51) **LOC (10) Cl.** **25-01**
- (52) **U.S. Cl.**
USPC **D25/119**
- (58) **Field of Classification Search**
USPC D25/119, 69, 125, 136, 123, 35, 61,
D25/121; 52/506.06, 506.07, 716.1, 287.1,
52/717.05, 717.06
CPC ... E04F 19/062; E04F 19/022; E04F 19/061;
E04F 19/064; E04F 19/065; E04B 9/008
See application file for complete search history.

DESCRIPTION

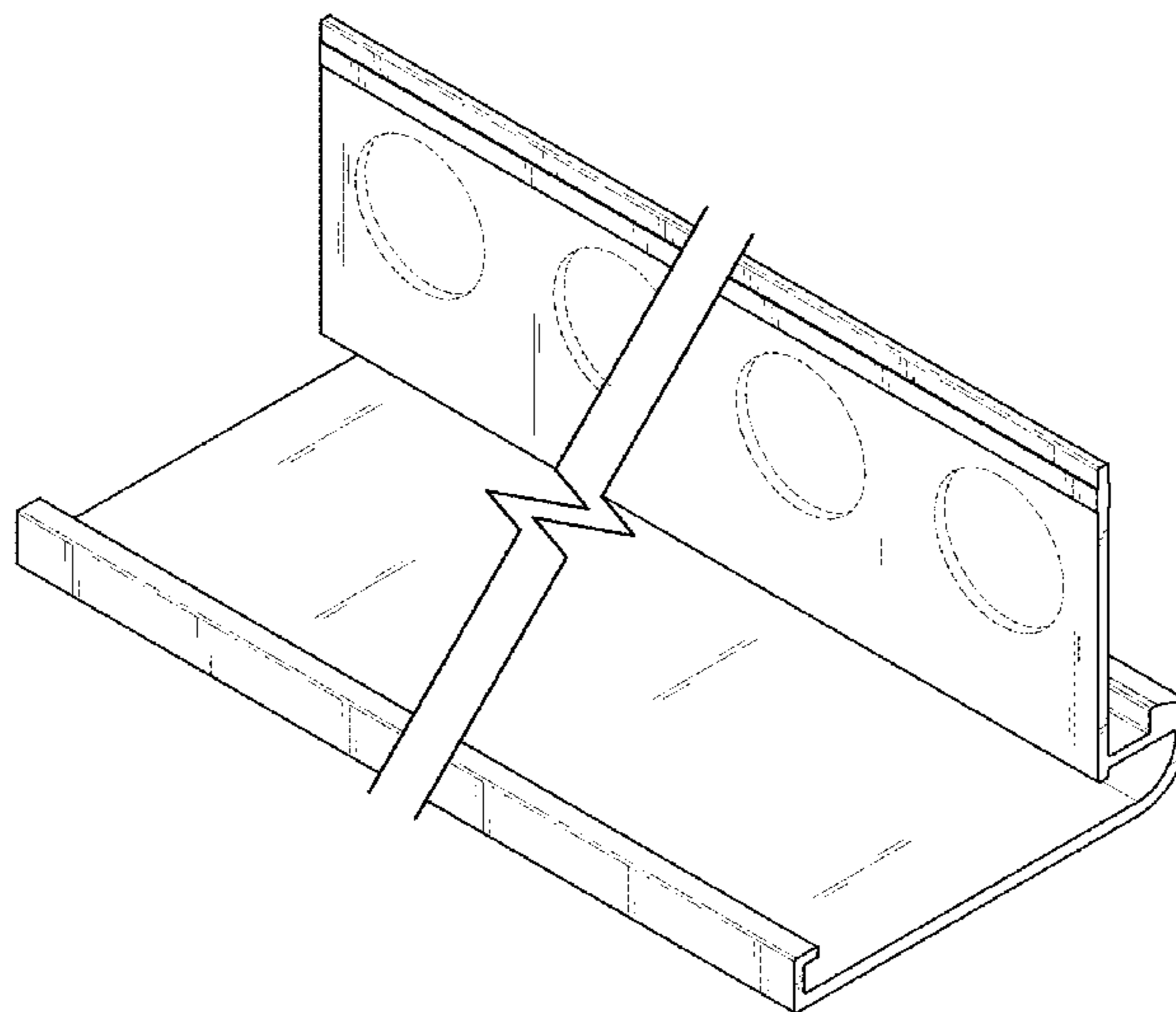
FIG. 1 is a top perspective view of a first embodiment of a tile trim, showing my new design.
FIG. 2 is a front elevational view thereof.
FIG. 3 is a rear elevational view thereof.
FIG. 4 is a left side elevational view thereof.
FIG. 5 is a right side elevational view thereof.
FIG. 6 is a top plan view thereof.
FIG. 7 is a bottom plan view thereof.
FIG. 8 is a top perspective view of a second embodiment of a tile trim, showing my new design.
FIG. 9 is a front elevational view thereof.
FIG. 10 is a rear elevational view thereof.
FIG. 11 is a left side elevational view thereof.
FIG. 12 is a right side elevational view thereof.
FIG. 13 is a top plan view thereof; and,
FIG. 14 is a bottom plan view thereof.
The tile trim is shown with a symbolic break in its length. The appearance of any portion of the article between the break lines forms no part of the claimed design.

(56) **References Cited**

U.S. PATENT DOCUMENTS

D47,727 S *	8/1915	Heulings	D25/119
D47,728 S *	8/1915	Heulings	D25/119
D47,729 S *	8/1915	Heulings	D25/119
D110,435 S *	7/1938	Lowry	D25/119
6,238,773 B1	5/2001	Schluter	
6,357,192 B1	3/2002	Schluter	
D462,787 S *	9/2002	Scalzott	D25/119

1 Claim, 8 Drawing Sheets



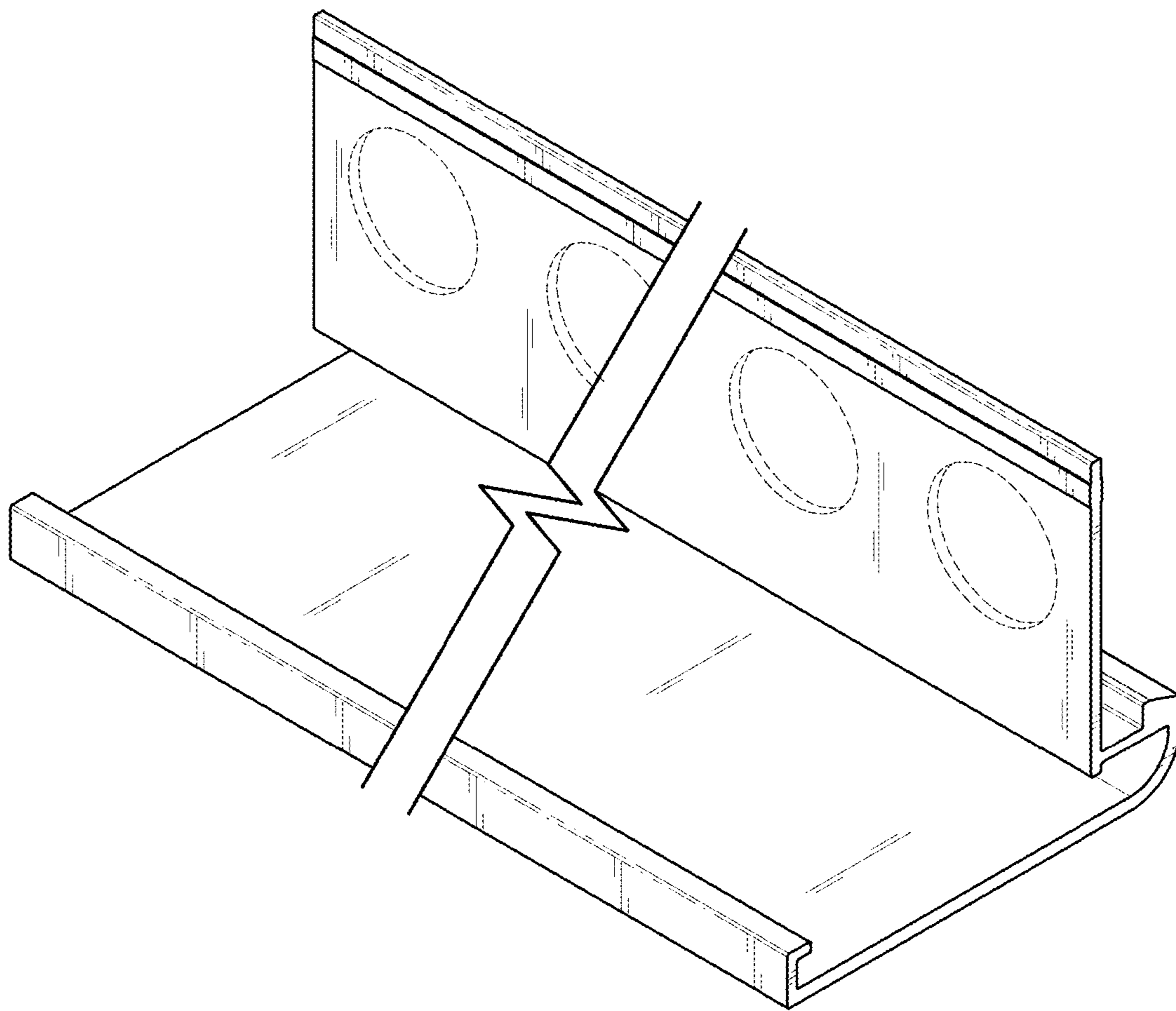


FIG. 1

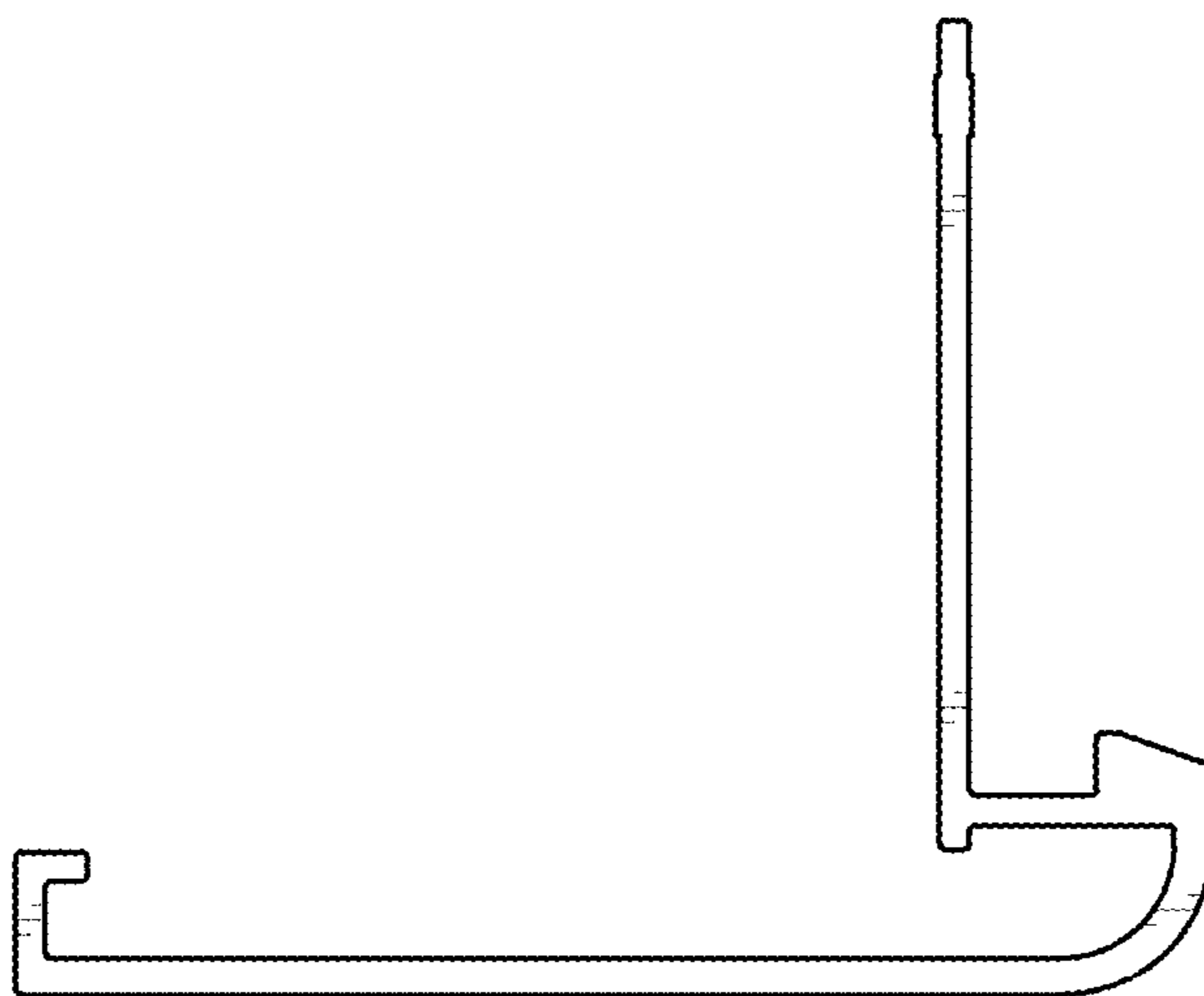


FIG. 2

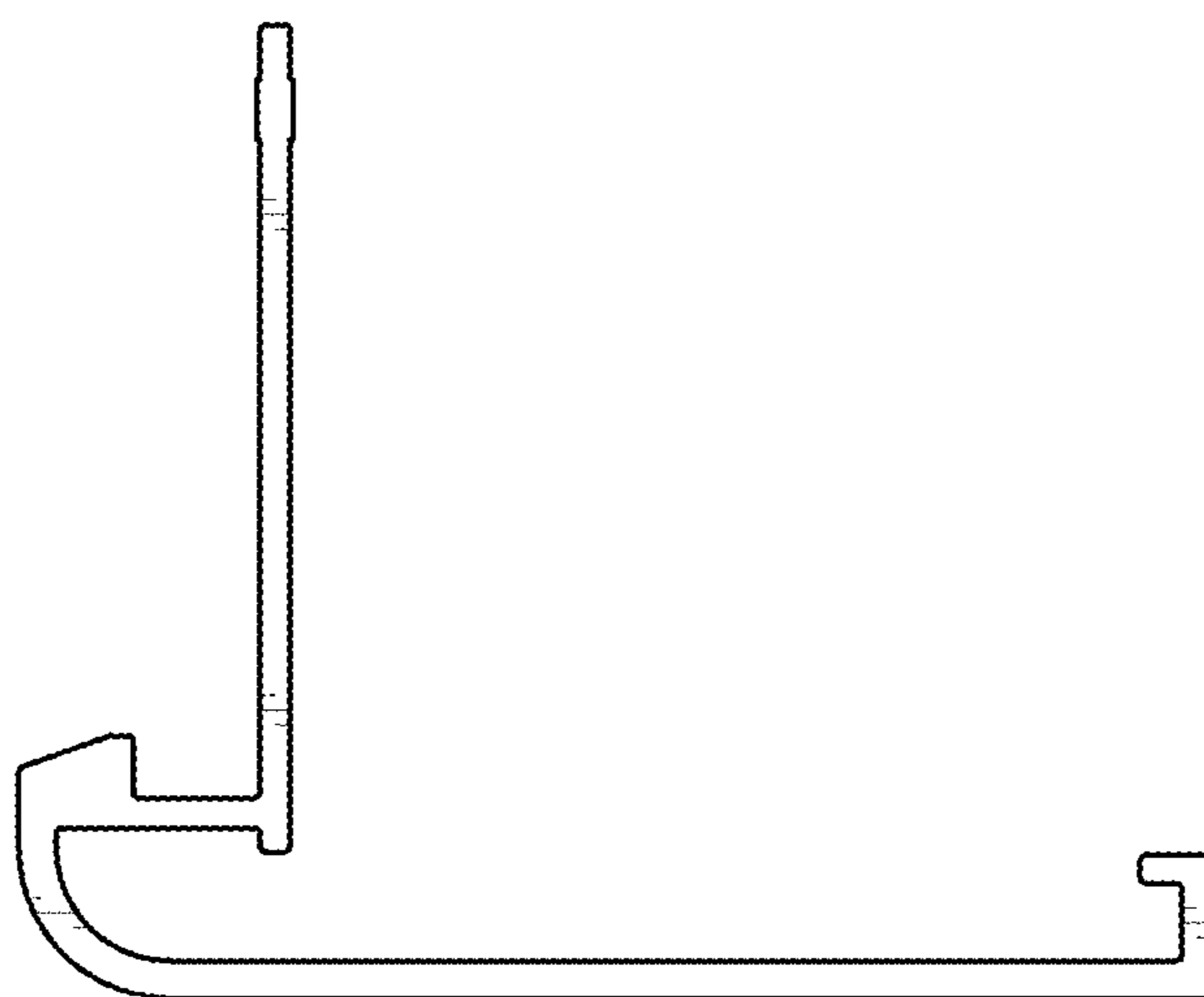


FIG. 3

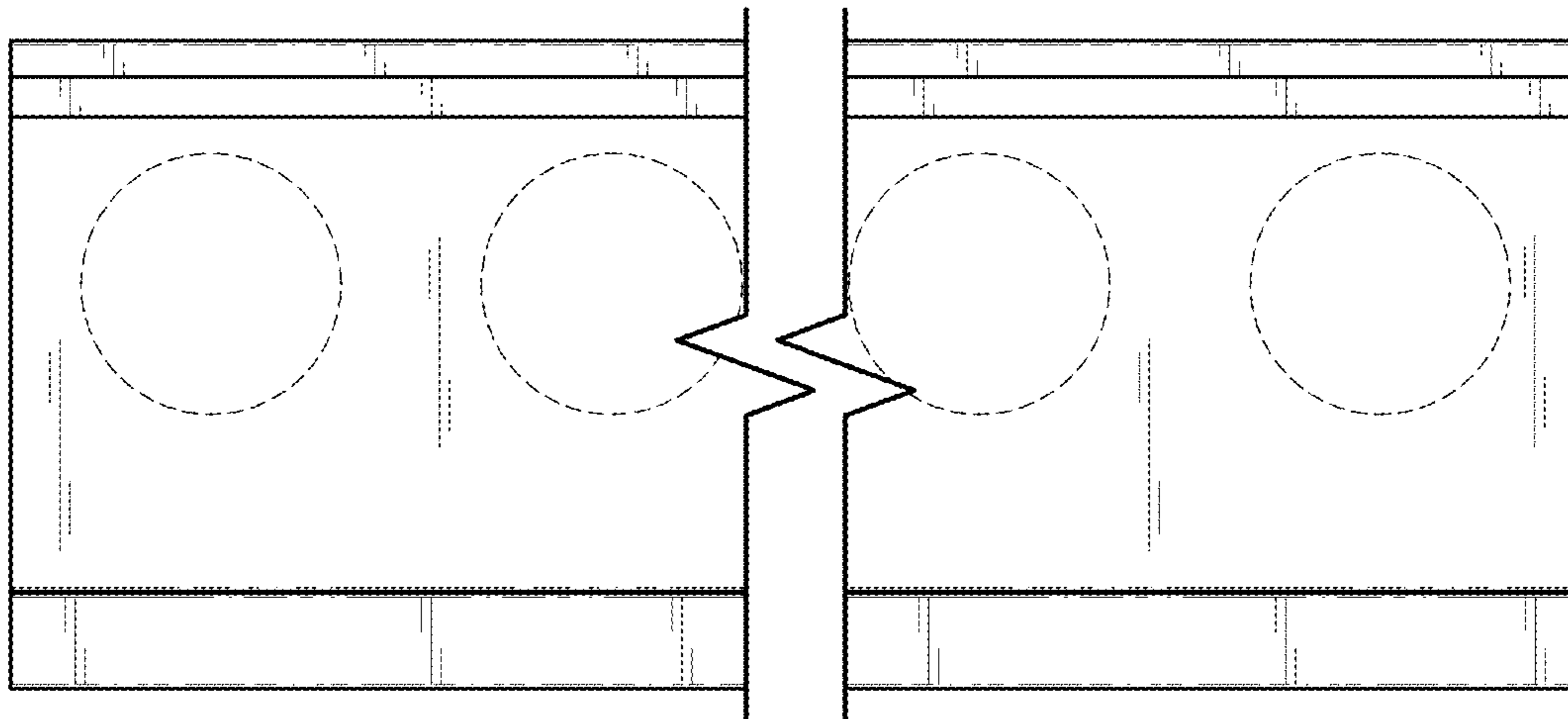


FIG. 4

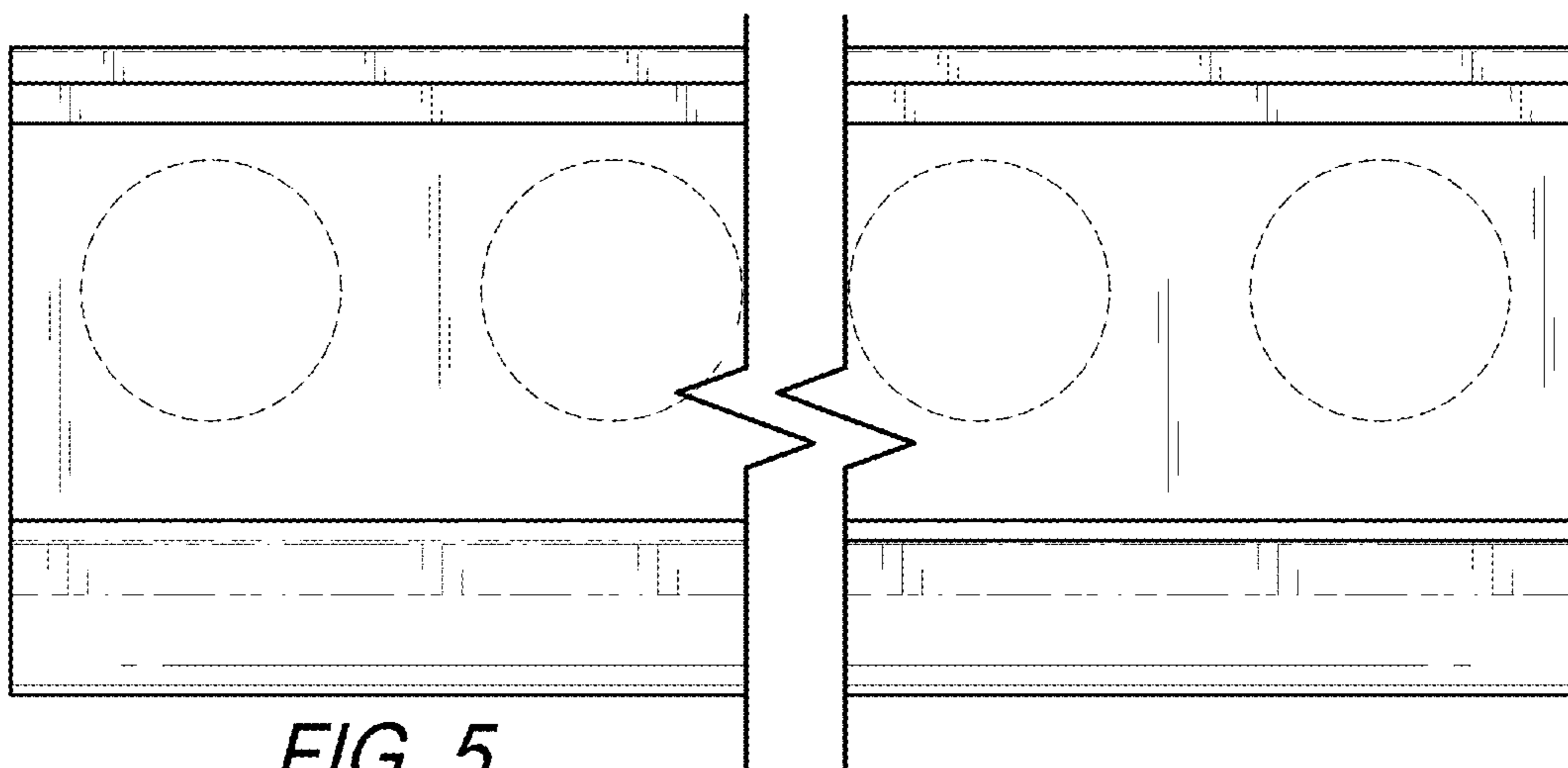


FIG. 5

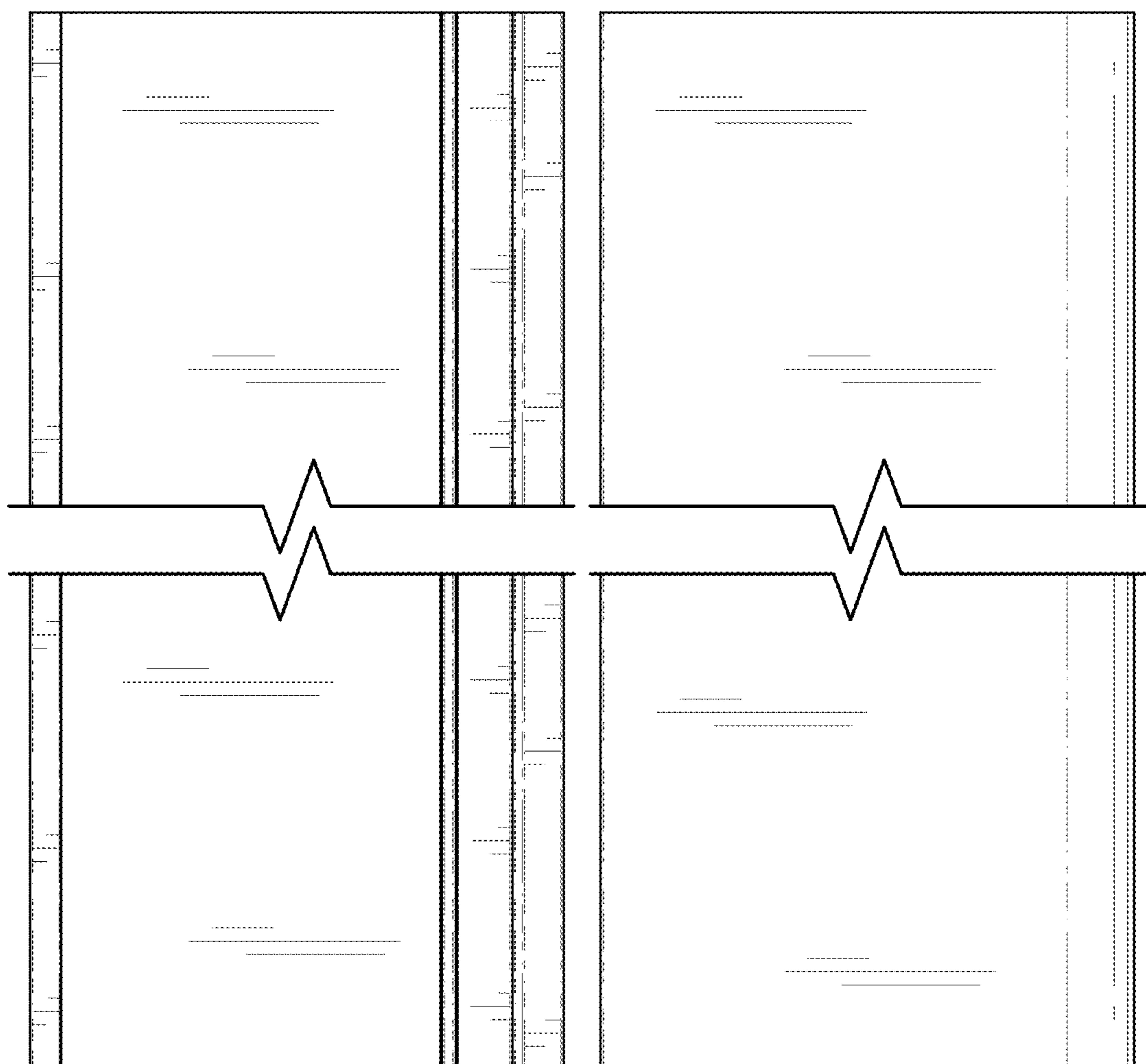


FIG. 6

FIG. 7

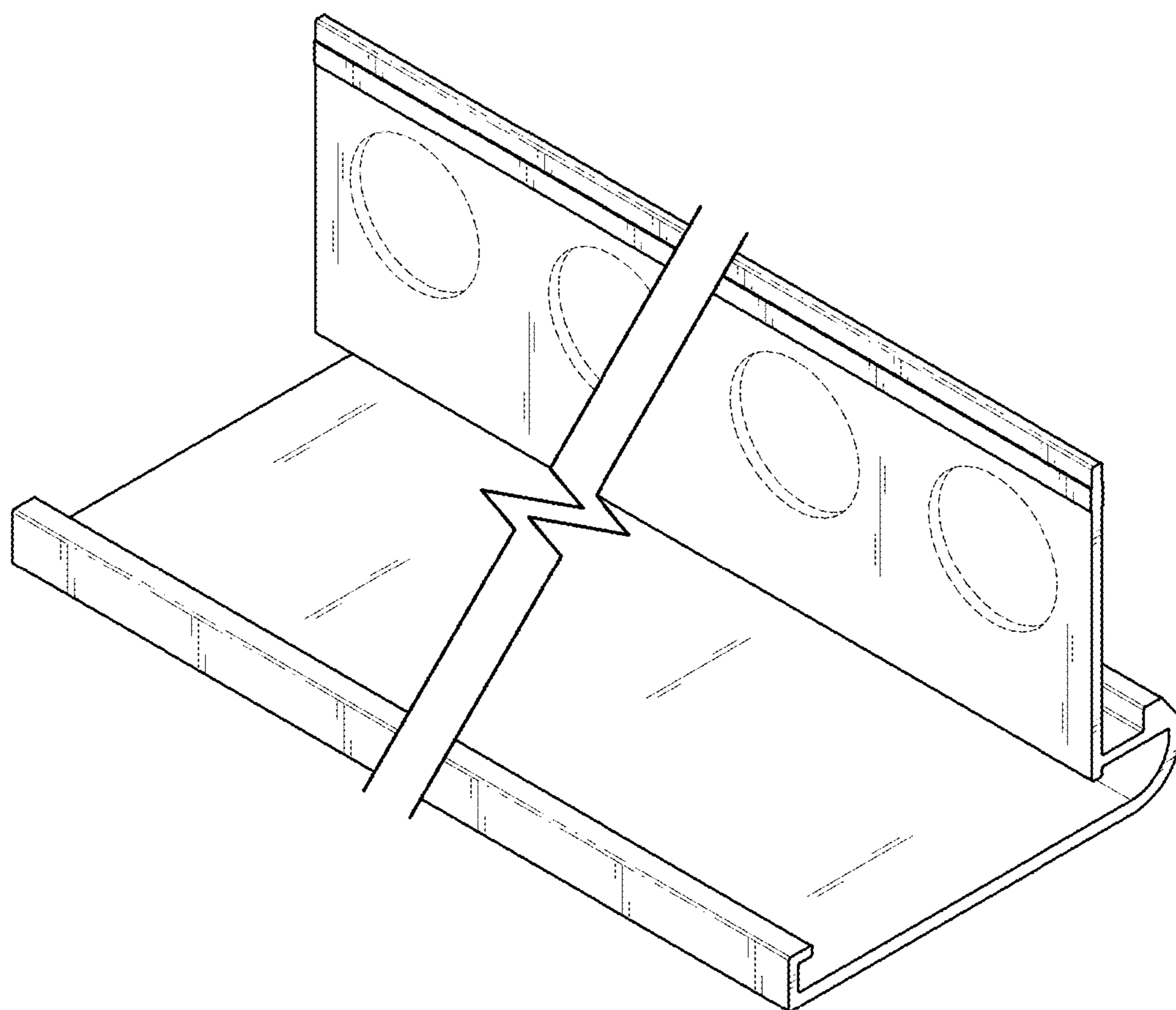


FIG. 8

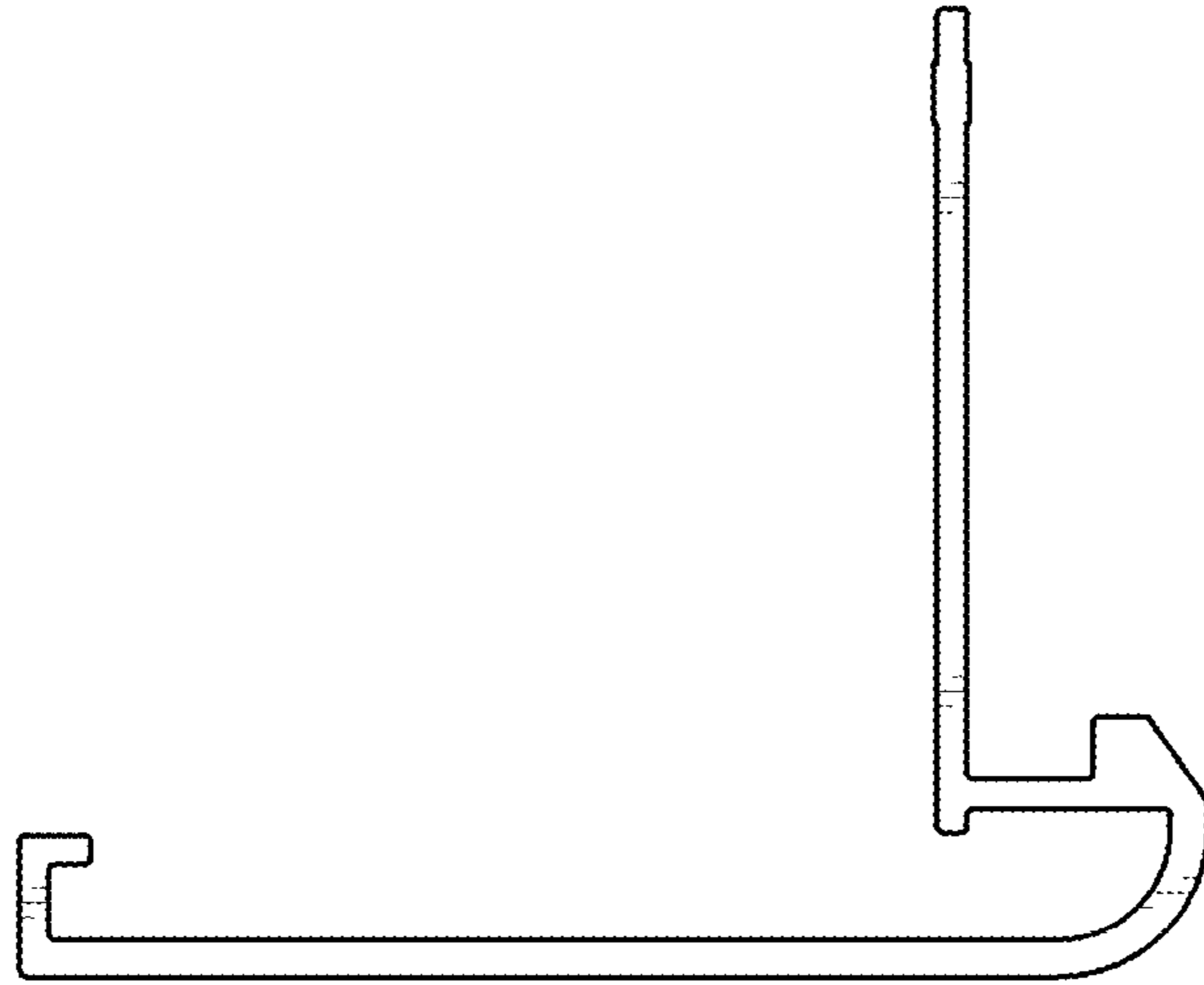


FIG. 9

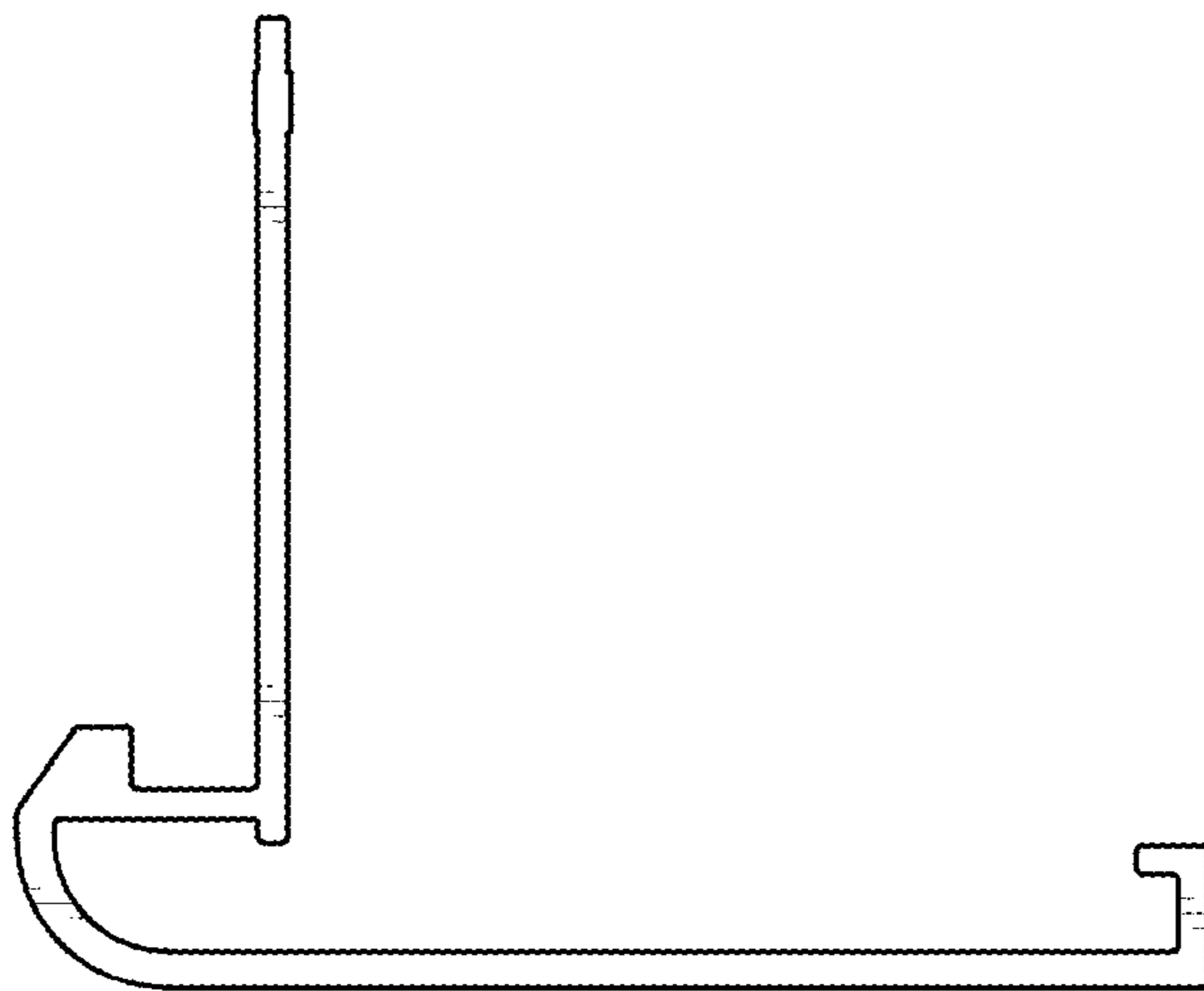


FIG. 10

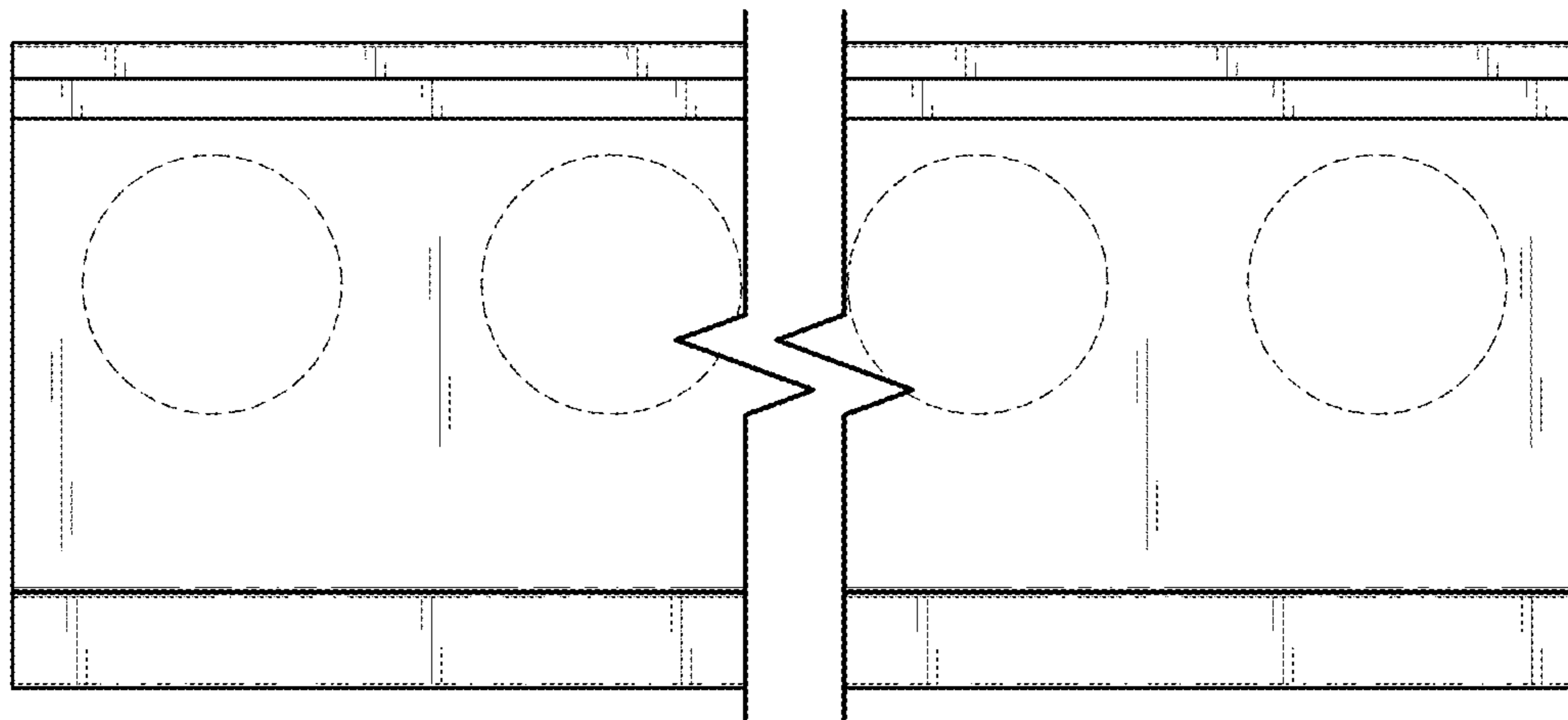


FIG. 11

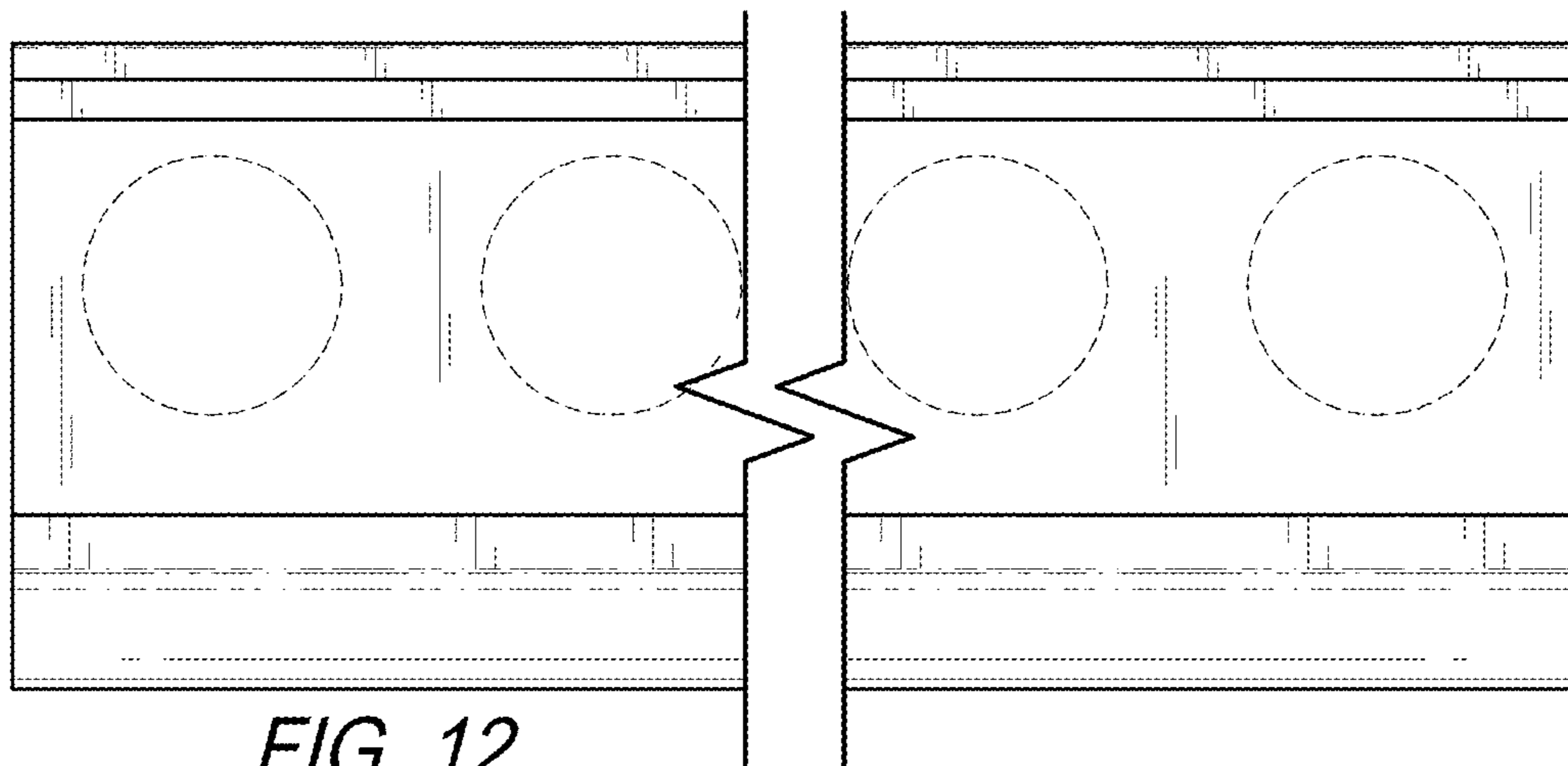


FIG. 12

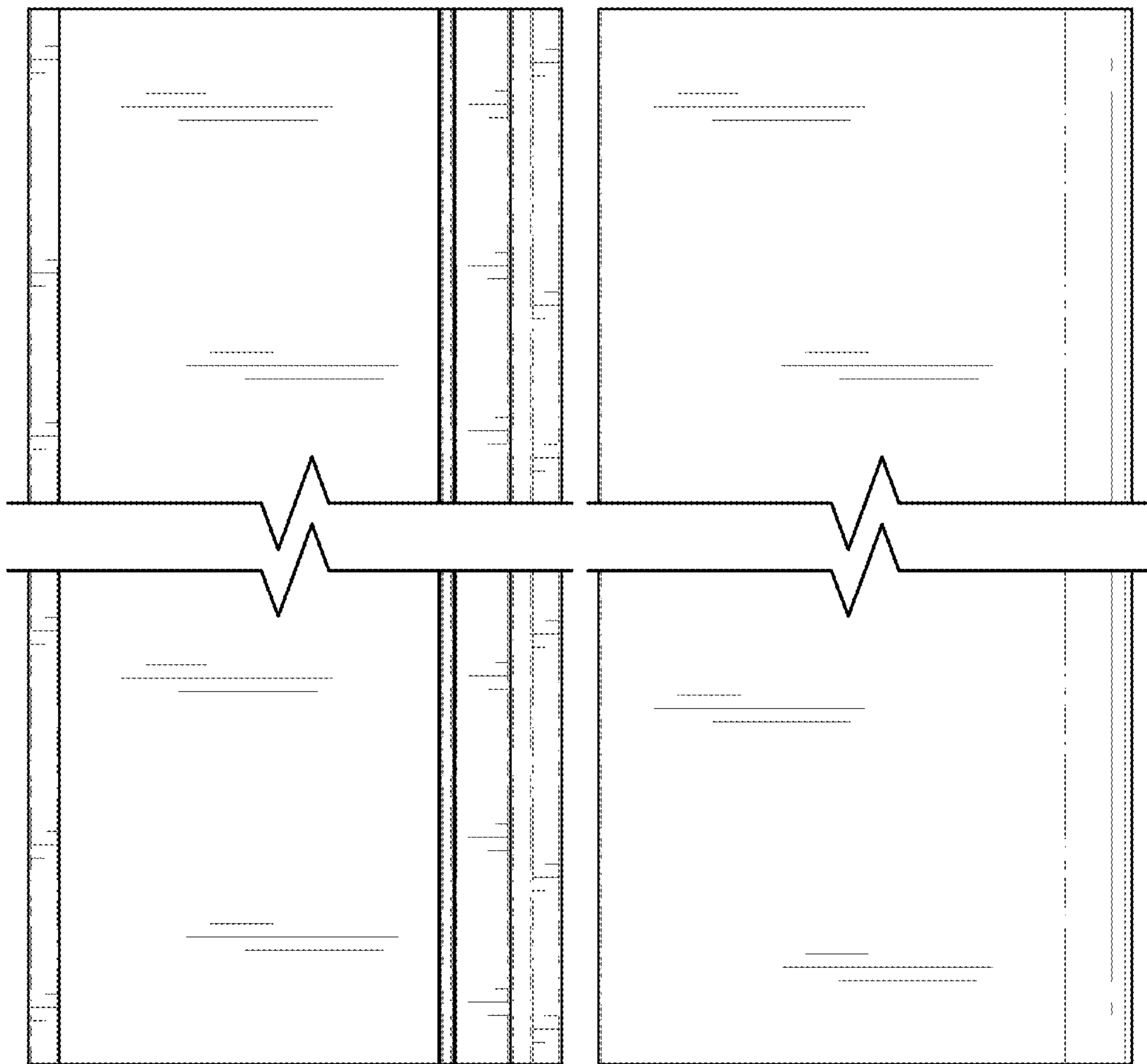


FIG. 13

FIG. 14