



US00D769454S

(12) **United States Design Patent** (10) **Patent No.:** **US D769,454 S**  
**Hong** (45) **Date of Patent:** **\*\* Oct. 18, 2016**

- (54) **SELFIE MASSAGER**
- (71) Applicant: **LiBa, INC.**, Glenview, IL (US)
- (72) Inventor: **Mia Hong**, Glenview, IL (US)
- (73) Assignee: **LIBA, INC.**, Glenview, IL (US)
- (\*\*) Term: **15 Years**
- (21) Appl. No.: **29/543,684**
- (22) Filed: **Oct. 27, 2015**
- (51) **LOC (10) Cl.** ..... **28-03**
- (52) **U.S. Cl.**  
USPC ..... **D24/215**
- (58) **Field of Classification Search**  
USPC ..... D24/200, 211, 212, 213, 214, 215;  
601/19, 27-32, 46, 48, 52, DIG. 12,  
601/DIG. 14, DIG. 15, DIG. 16, DIG. 17, 99,  
601/112, 113, 118, 119, 120, 121;  
D30/160; D14/218; D11/26  
CPC ..... A61H 19/30; A61H 19/32; A61H 19/34;  
A61H 19/40; A61H 19/44; A61H 19/50;  
A61H 19/00; A61H 2201/0153; A61H  
2201/0207; A61H 2201/0263; A61H  
2201/0111; A61H 2201/1253; A61H  
2205/082; A61H 2205/085; A61H 15/0085;  
A61H 15/0092  
See application file for complete search history.

(56) **References Cited**

**U.S. PATENT DOCUMENTS**

D317,204 S *	5/1991	Hennessey	.....	D24/211
D402,764 S *	12/1998	Chatfield	.....	D24/211
D403,431 S *	12/1998	Gladieux, Jr.	.....	D24/214
D405,536 S *	2/1999	Haynes	.....	D24/214
D423,676 S *	4/2000	Lazio	.....	D24/211
D436,181 S *	1/2001	Lazio	.....	D24/214
D456,909 S *	5/2002	Szabo	.....	D24/214
D461,009 S *	7/2002	Viner	.....	D24/214
7,335,171 B2 *	2/2008	Ewell	.....	A61H 7/001 601/135
D590,510 S *	4/2009	Johansen	.....	D24/214

D646,794 S *	10/2011	Hennessey	.....	D24/214
D675,332 S *	1/2013	Tinder	.....	D24/215
D698,936 S *	2/2014	Pudhnum	.....	D24/215
D722,176 S *	2/2015	Gutman	.....	D24/215
9,168,196 B2 *	10/2015	Dagan	.....	A61H 7/003
D742,534 S *	11/2015	Bains	.....	D24/214
D750,796 S *	3/2016	Bains	.....	D24/214
2012/0271345 A1 *	10/2012	Torres	.....	A61H 7/001 606/204
2013/0023807 A1 *	1/2013	Hennessey	.....	A61H 7/003 601/119
2013/0066245 A1 *	3/2013	Dagan	.....	A61H 7/003 601/118
2014/0350445 A1 *	11/2014	Lok	.....	A61H 7/007 601/137

\* cited by examiner

*Primary Examiner* — Sandra Snapp

(74) *Attorney, Agent, or Firm* — Law Office of Alexis J Saenz

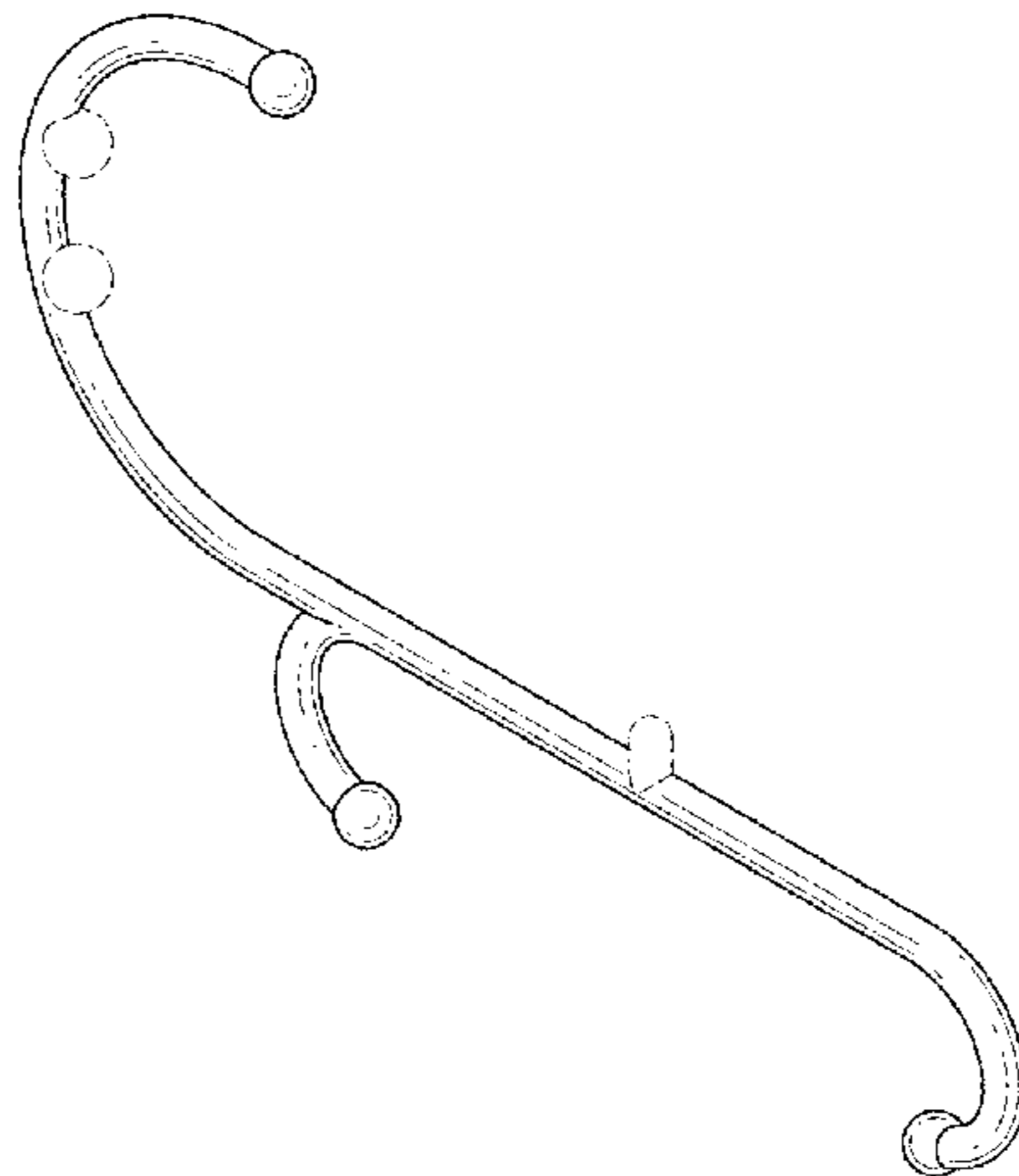
(57) **CLAIM**

The ornamental design for a selfie massager, as shown and described.

**DESCRIPTION**

FIG. 1 is a front perspective view of a selfie massager showing the new design in accordance with an aspect of the subject technology;  
 FIG. 2 is a rear perspective view of the selfie massager of FIG. 1;  
 FIG. 3 is a left hand side view of the selfie massager of FIG. 1;  
 FIG. 4 is a right hand side view of the selfie massager of FIG. 1;  
 FIG. 5 is a top view of the selfie massager of FIG. 1;  
 FIG. 6 is a bottom view of the selfie massager of FIG. 1;  
 FIG. 7 is an end view of the selfie massager of FIG. 3 from the right end; and,  
 FIG. 8 is an end view of the selfie massager of FIG. 3 from the left end.  
 The broken lines shown represent unclaimed subject matter and form no part of the claimed design.

**1 Claim, 3 Drawing Sheets**



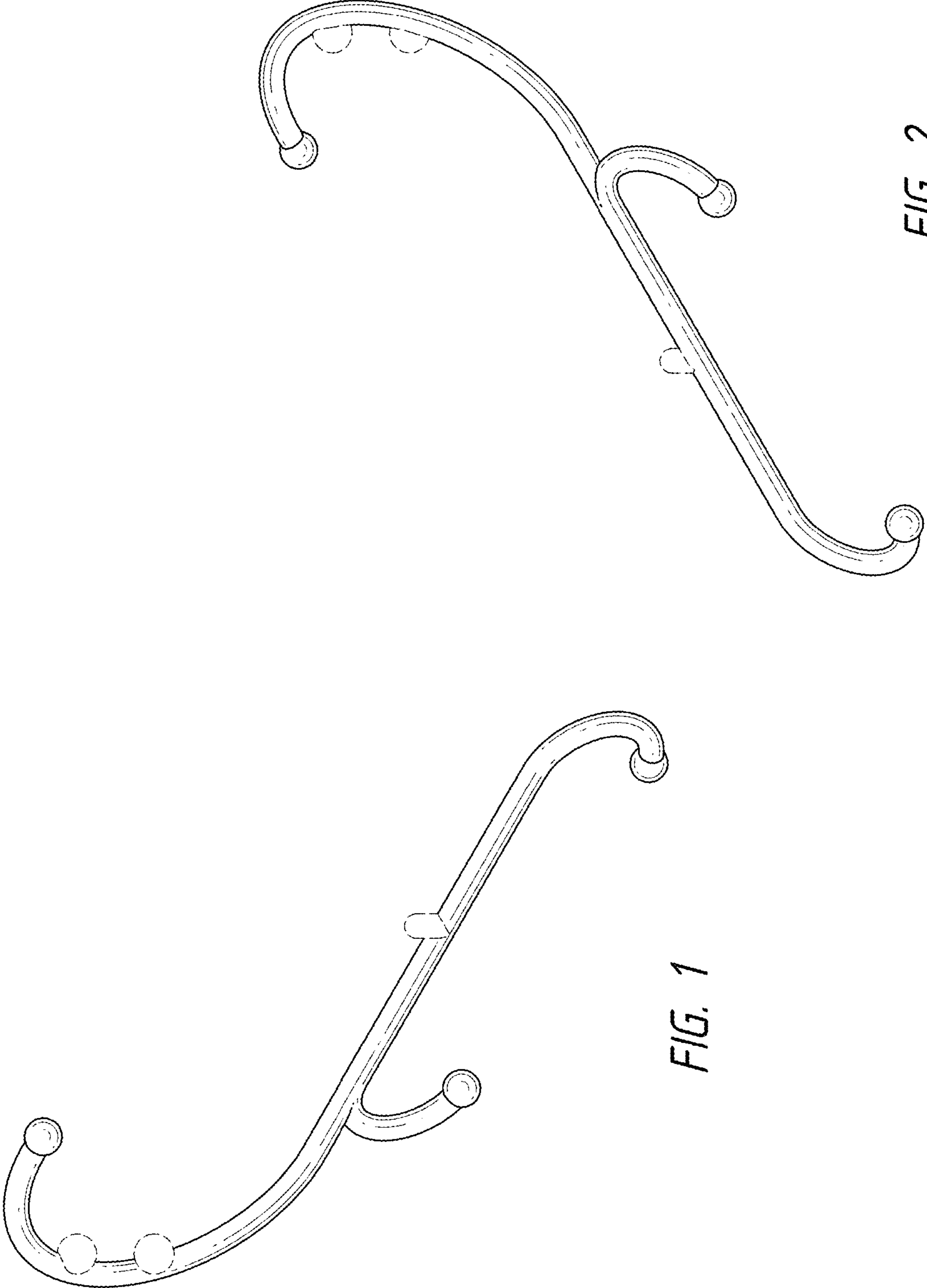


FIG. 1

FIG. 2

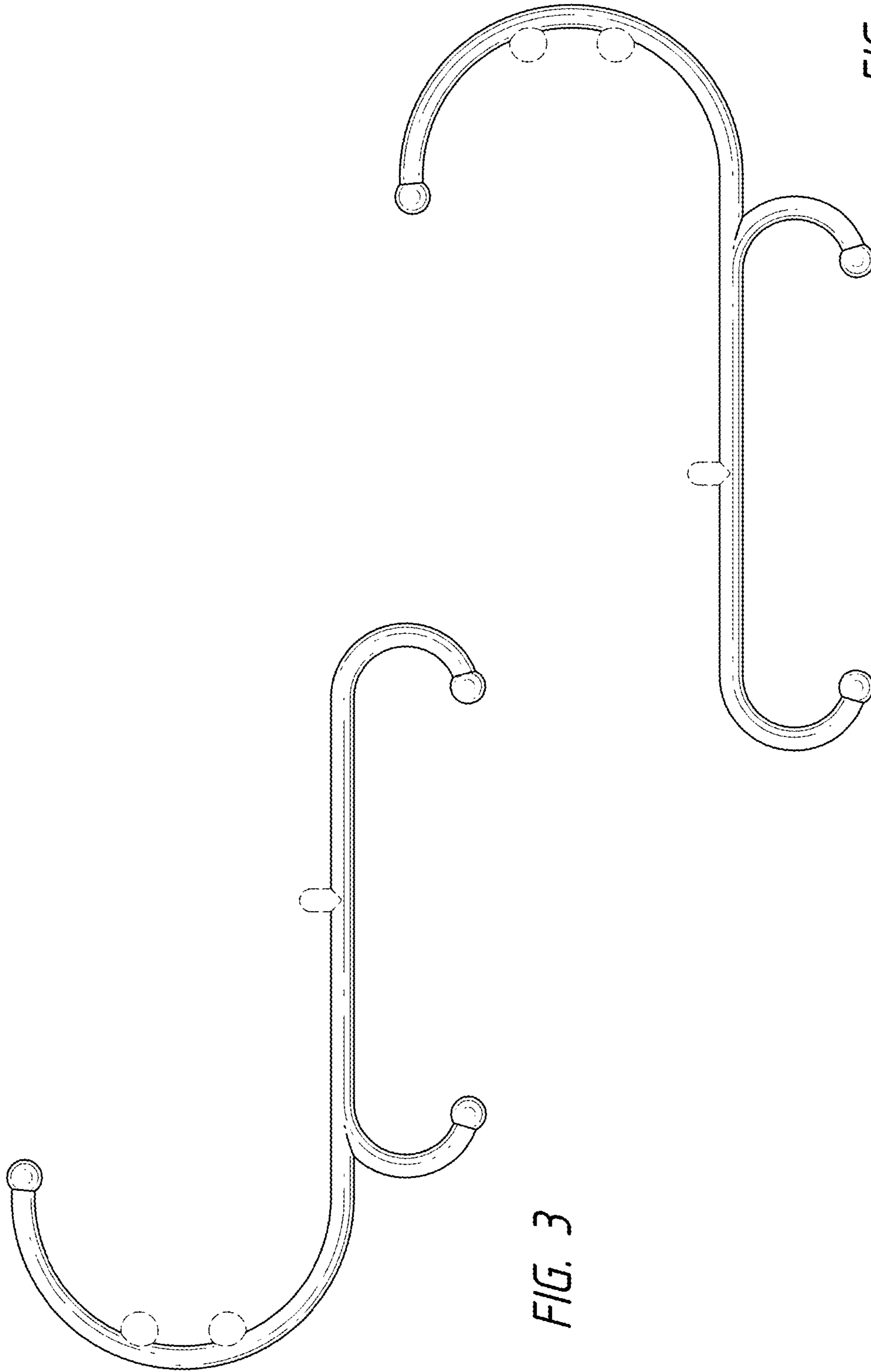


FIG. 3

FIG. 4

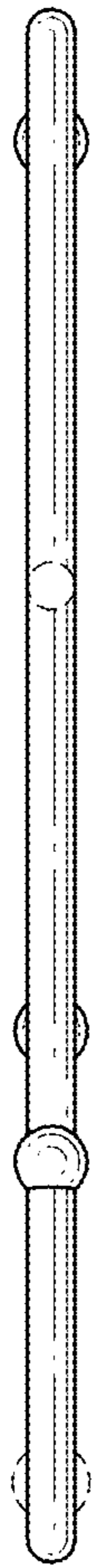


FIG. 5

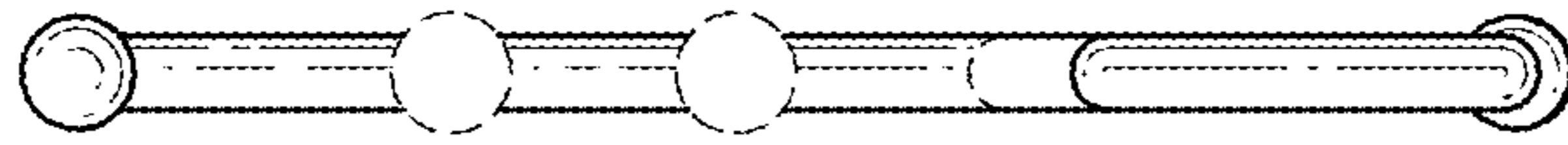


FIG. 7

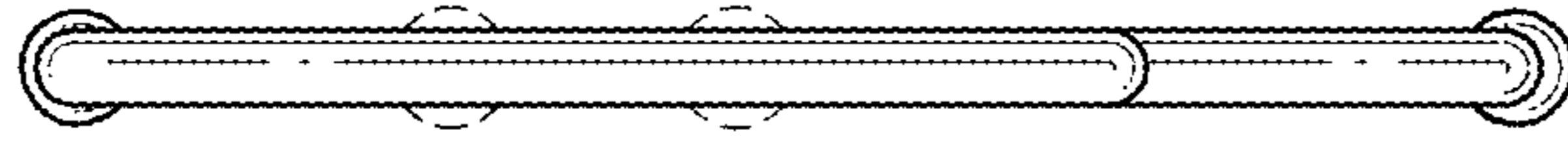


FIG. 8



FIG. 6