



US00D769452S

(12) **United States Design Patent** (10) **Patent No.:** **US D769,452 S**
Tran (45) **Date of Patent:** **** Oct. 18, 2016**

(54) **PORTABLE FOOT SPA**
(71) Applicant: **Gulfstream Plastics Ltd., Cambridge (CA)**
(72) Inventor: **Minh Sang Tran, Ontario (CA)**
(73) Assignee: **GULFSTREAM PLASTICS LTD., Cambridge, CA (US)**
(**) Term: **14 Years**
(21) Appl. No.: **29/499,336**
(22) Filed: **Aug. 13, 2014**
(51) **LOC (10) Cl.** **23-02**
(52) **U.S. Cl.**
USPC **D24/204**
(58) **Field of Classification Search**
USPC D2/916, 918; D23/276-278, D23/280.1-280.3, 315; D24/200, 201, 204, D24/205; D28/56, 61; 4/538, 541.1-541.6, 4/547, 578.1, 579, 621, 622, 655; 601/158
CPC A47K 3/02; A47K 3/022; A61H 33/6063; A61H 33/0087; A61H 33/006; A61H 33/02; A61H 33/60; A61H 33/0054; A61H 33/6005; A61H 33/0149; A61H 33/0207; A61H 33/601; A61H 35/00; A61H 2201/164; A61H 2205/106
See application file for complete search history.

2009/0094739 A1* 4/2009 Vinokur et al. 4/622
2009/0100590 A1* 4/2009 Galati et al. 4/541.2
2010/0043137 A1* 2/2010 Zavan 4/622

FOREIGN PATENT DOCUMENTS

CN 301092402 * 12/2009
CN 301560287 * 5/2011
CN 301672975 * 9/2011
CN 302112522 * 10/2012

* cited by examiner

Primary Examiner — Susan E Krakower
Assistant Examiner — Lisa A Grabenstetter
(74) *Attorney, Agent, or Firm* — Avery N. Goldstein;
Blue Filament Law LLC

(57) **CLAIM**

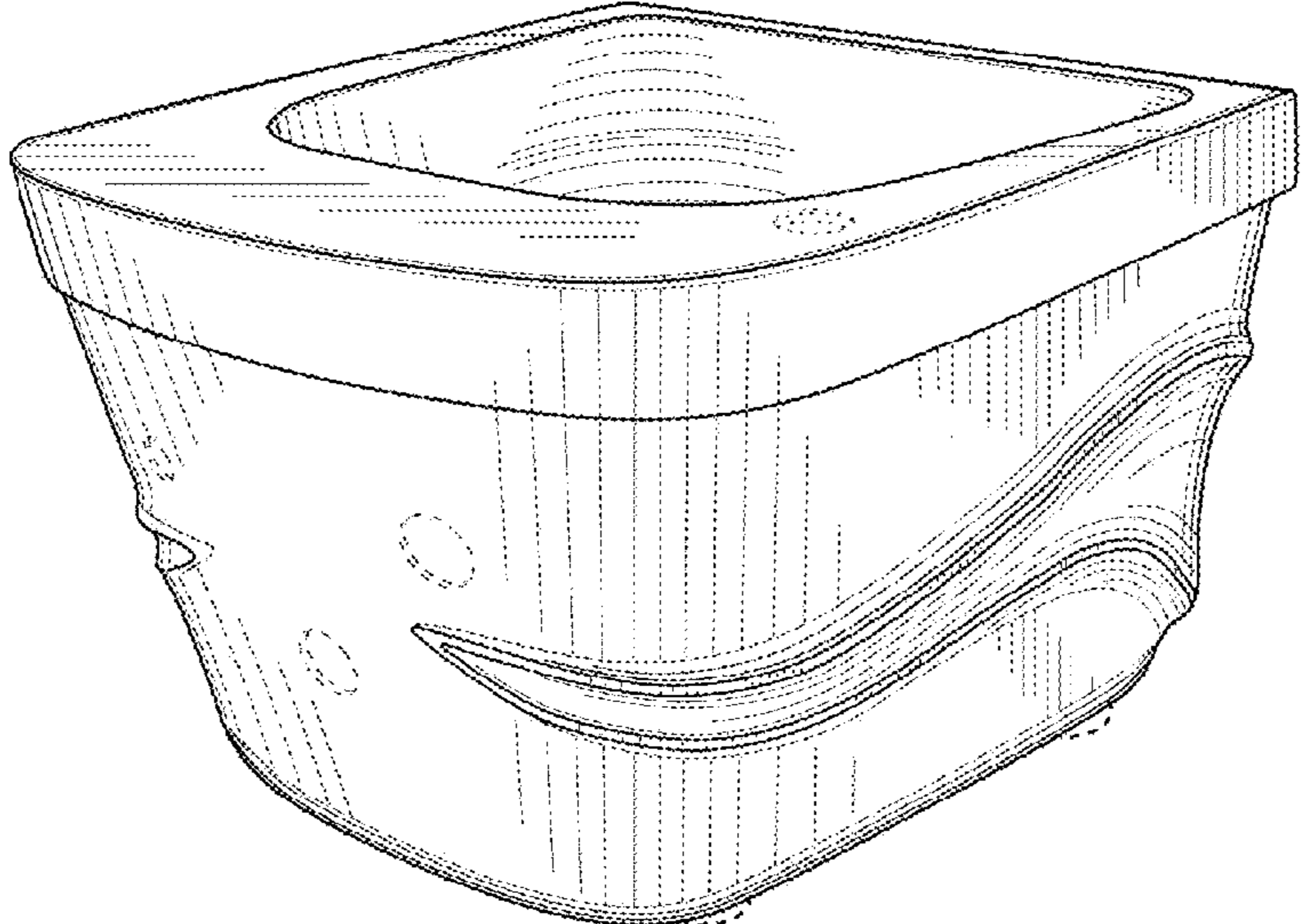
The ornamental design for a portable foot spa, as shown and described.

DESCRIPTION

FIG. 1 is a front, top, left perspective view of a portable foot spa, showing my new design;
FIG. 2 is a rear, top, left perspective view thereof;
FIG. 3 is a left side view thereof;
FIG. 4 is a right side view thereof;
FIG. 5 is a top view thereof;
FIG. 6 is a bottom view thereof;
FIG. 7 is a rear view thereof;
FIG. 8 is a front view thereof; and,
FIG. 9 is another front, top, left perspective view, shown in environmental use.
The broken line portions of FIGS. 1-8 are included to show unclaimed subject matter only and form no part of the claimed design.

(56) **References Cited**
U.S. PATENT DOCUMENTS
D330,426 S * 10/1992 Elkerbout D24/213
D346,043 S * 4/1994 Galati et al. D28/61
D364,466 S * 11/1995 Assmann et al. D24/213
D531,732 S * 11/2006 Bean et al. D24/213
D561,878 S * 2/2008 Erli D23/278
D589,155 S * 3/2009 Galati et al. D24/213

1 Claim, 5 Drawing Sheets



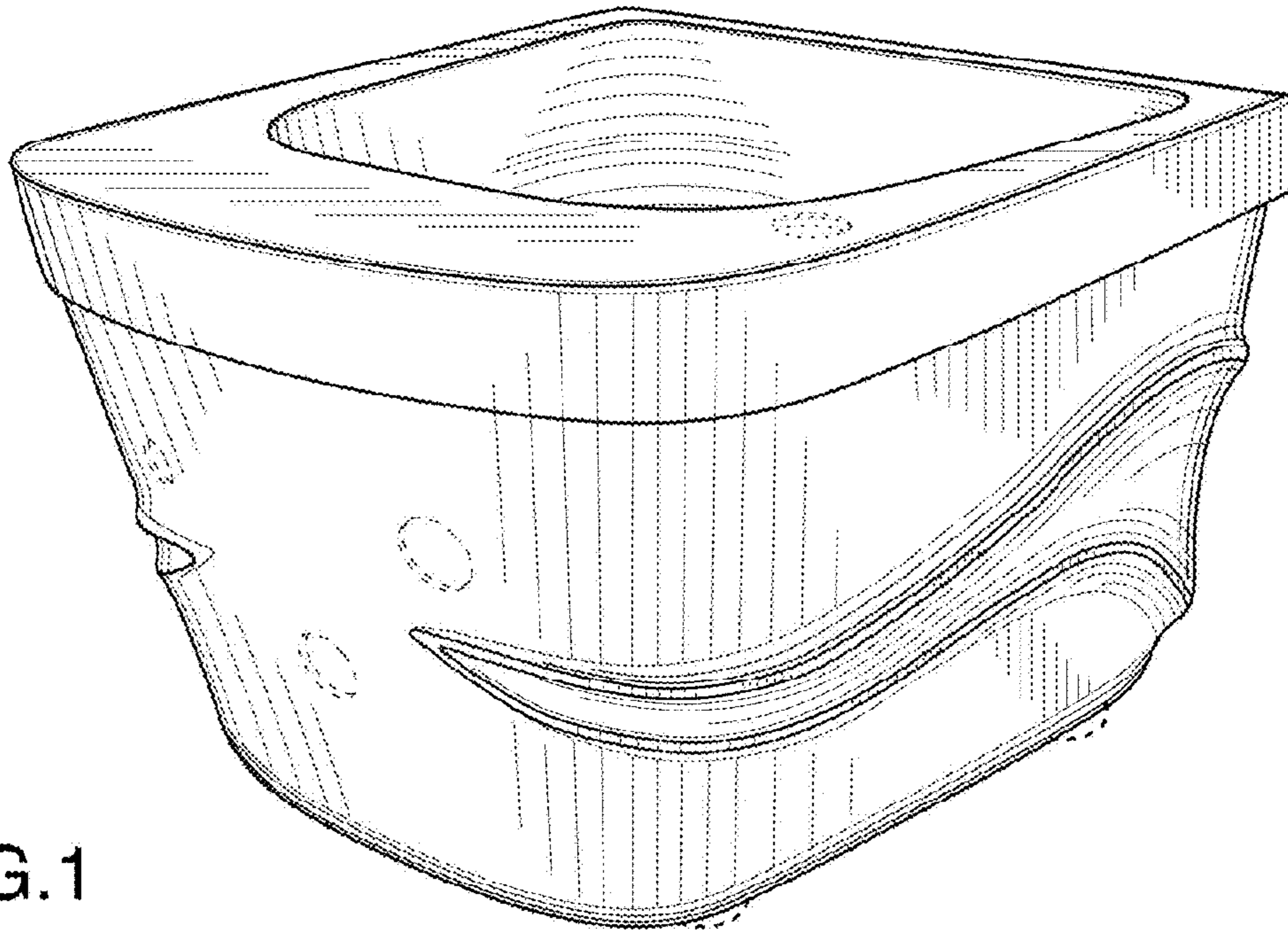


FIG. 1

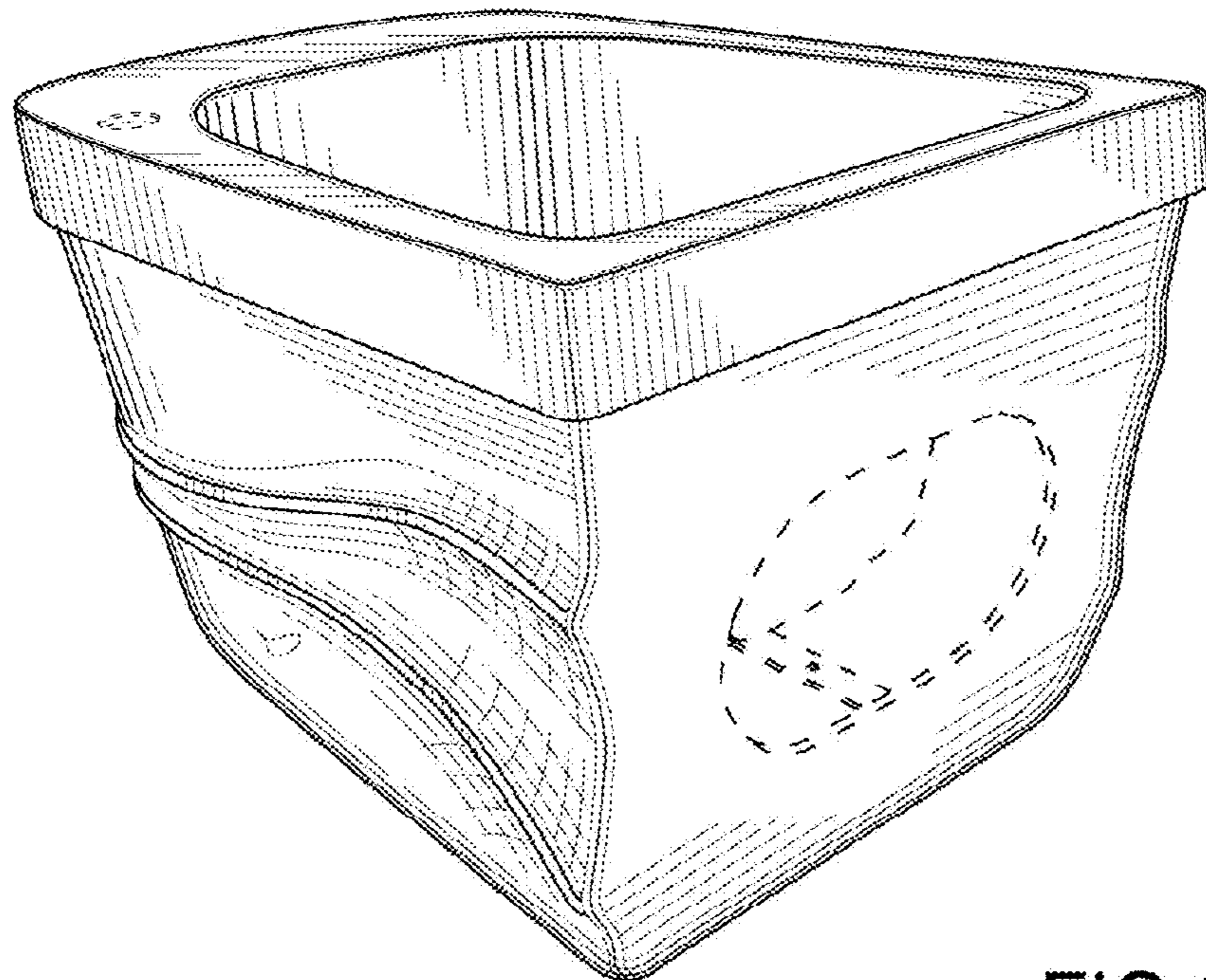


FIG. 2

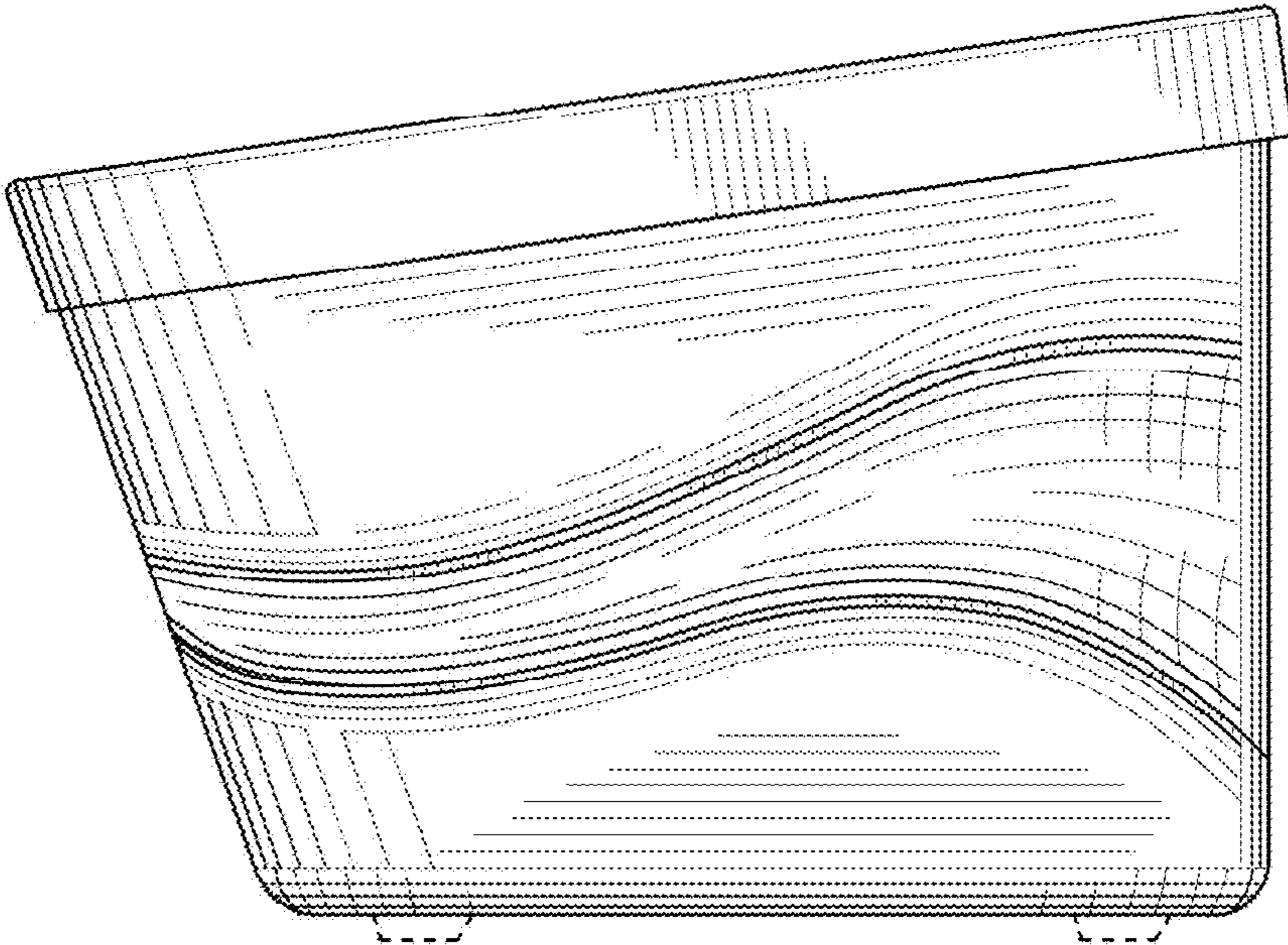


FIG.3

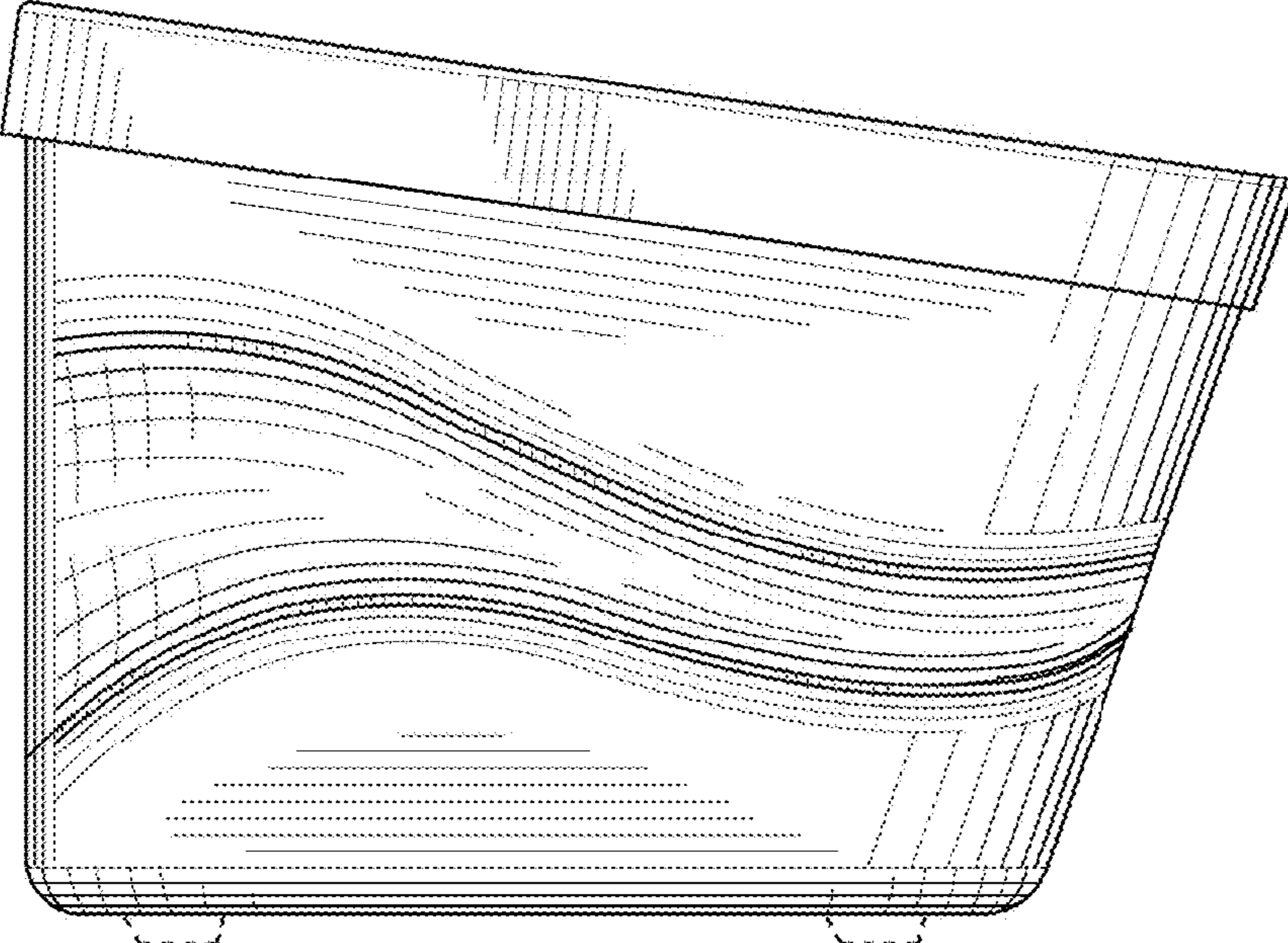


FIG.4

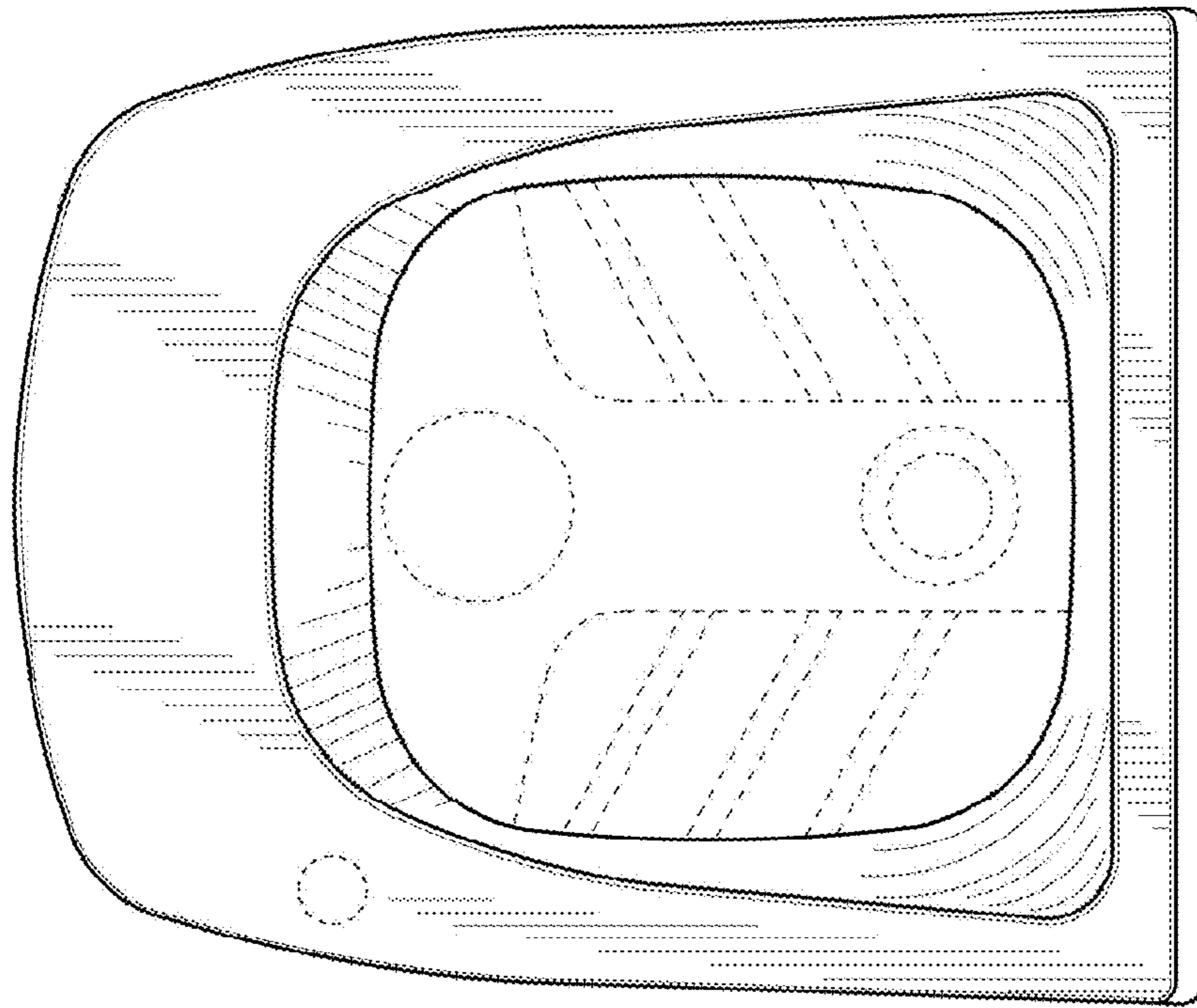


FIG.5

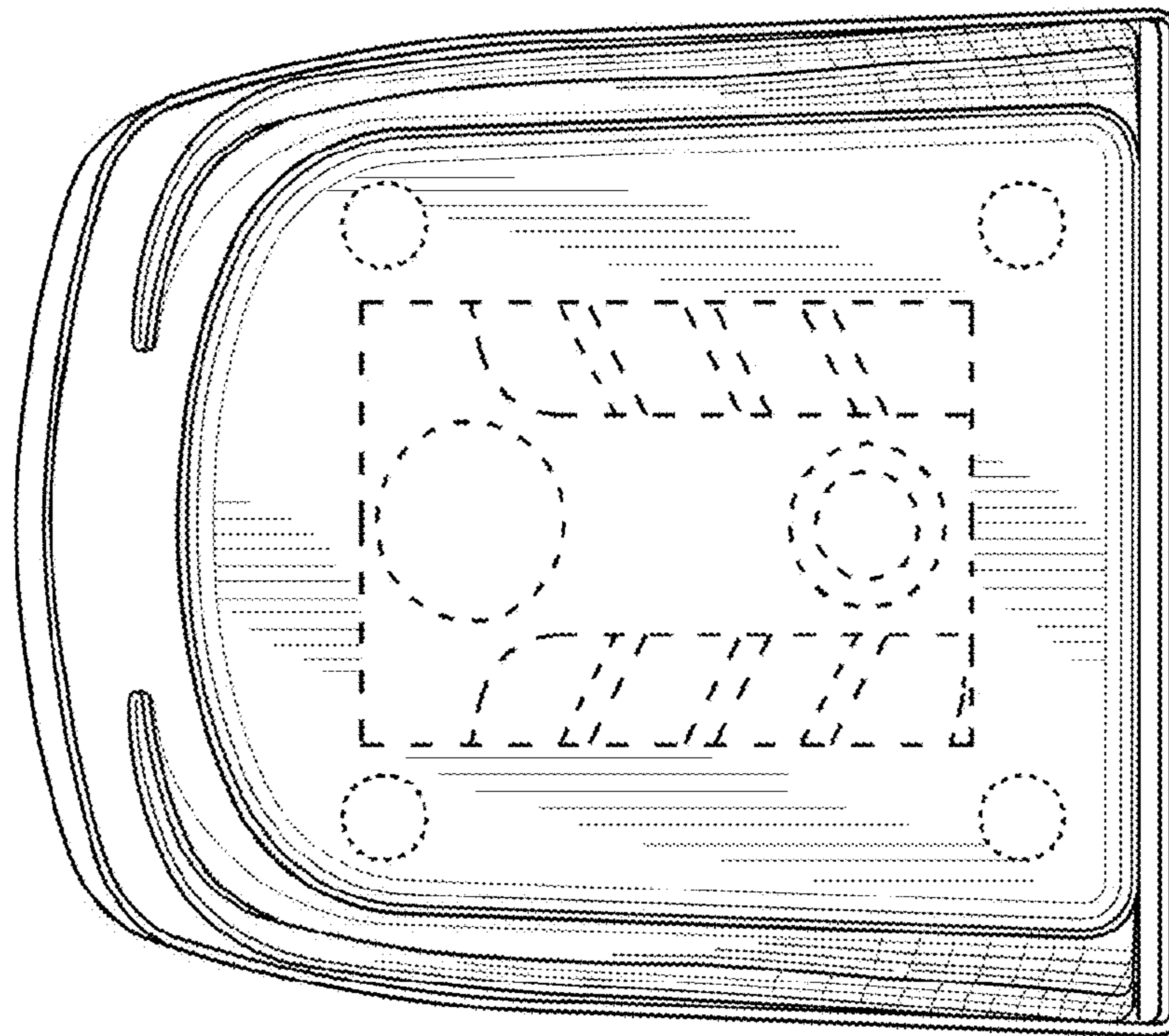


FIG.6

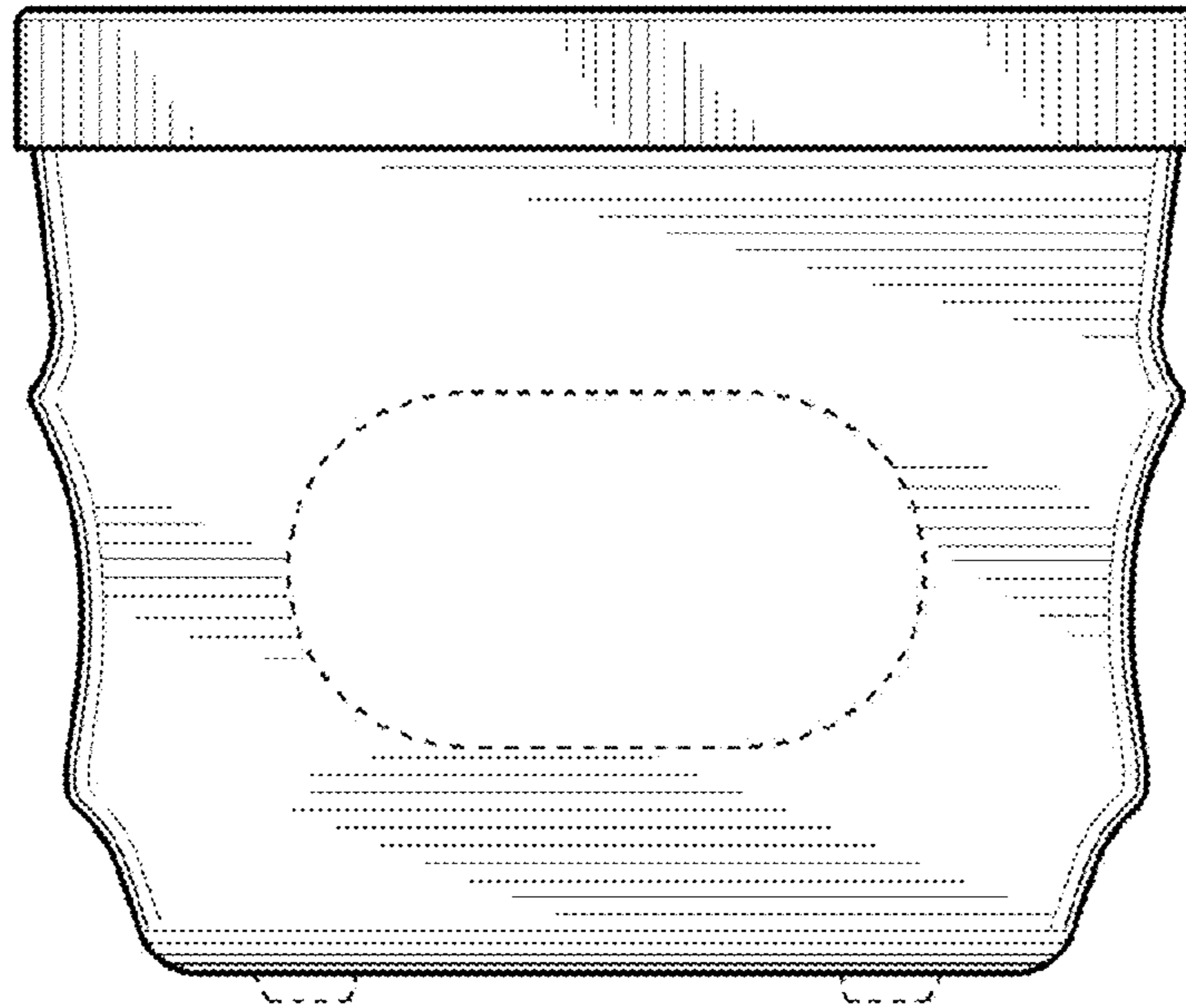


FIG. 7

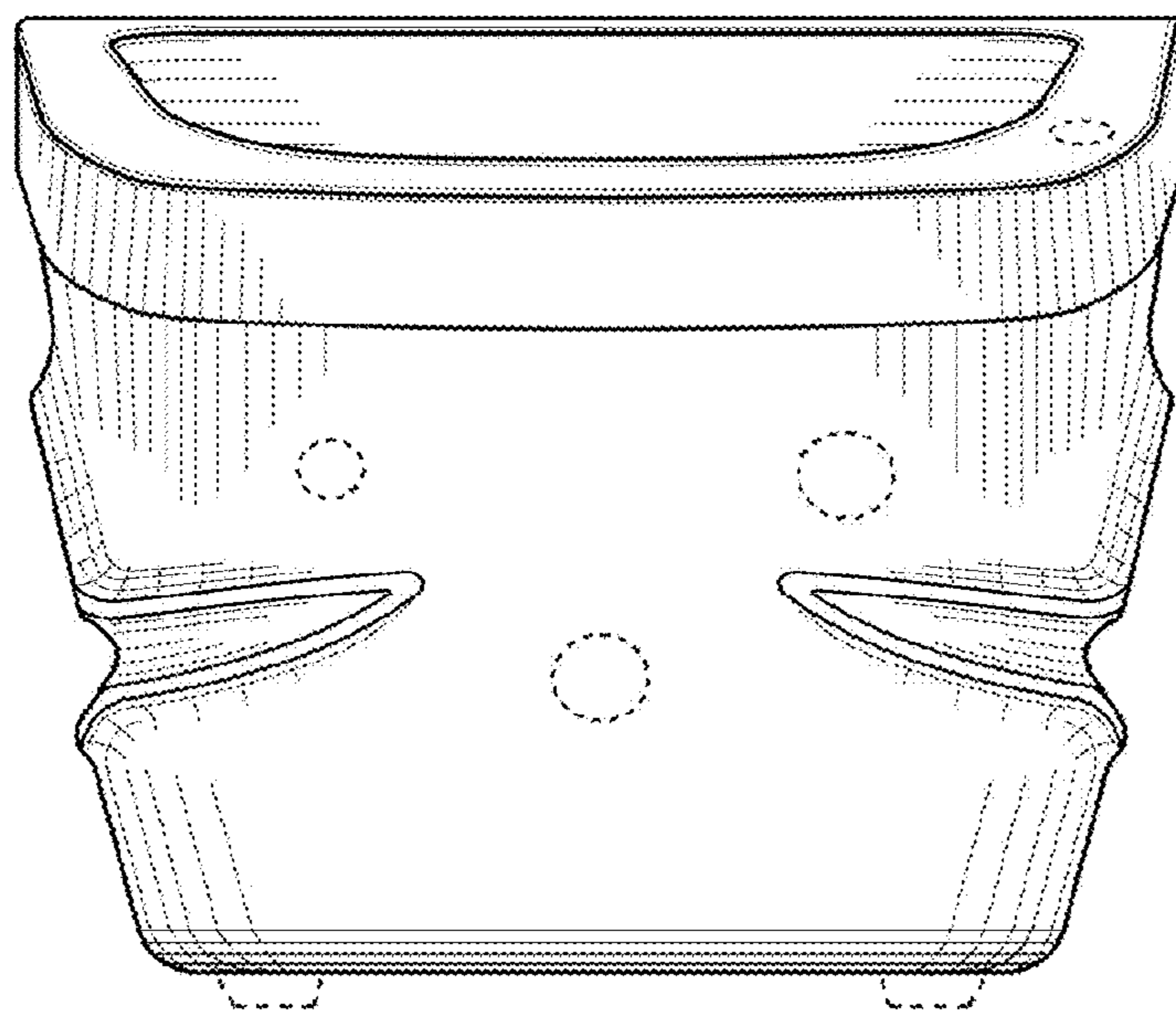


FIG. 8

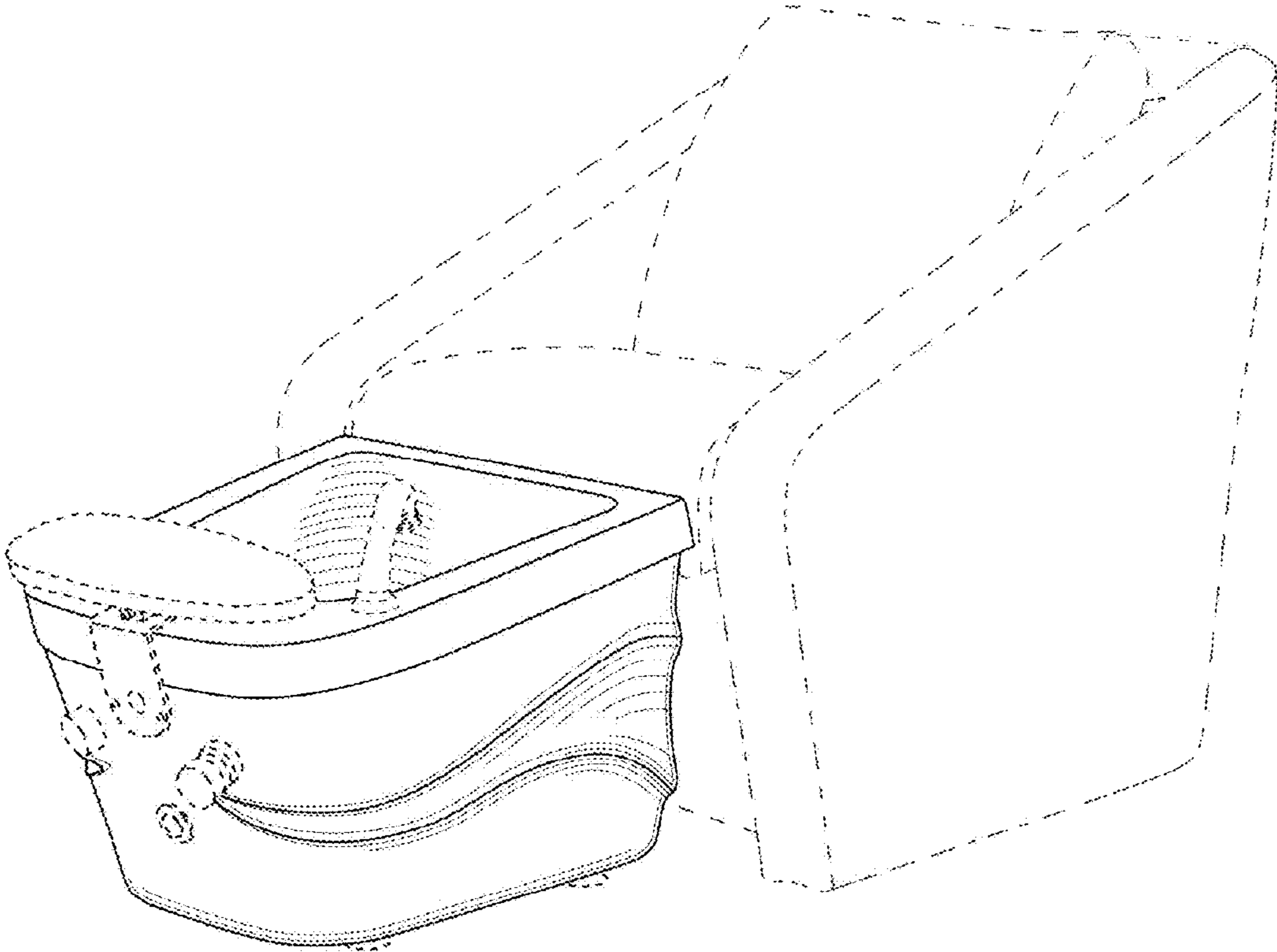


FIG.9