



US00D769449S

(12) **United States Design Patent**
Leeson et al.

(10) **Patent No.:** **US D769,449 S**
(45) **Date of Patent:** **** Oct. 18, 2016**

- (54) **DENTAL RESTORATION PREFORM**
- (71) Applicant: **James R. Glidewell Dental Ceramics, Inc.**, Newport Beach, CA (US)
- (72) Inventors: **David Christopher Leeson**, North Tustin, CA (US); **Marco A. Jokada**, Diamond Bar, CA (US); **Vaheh Golestanian Nemagrđi**, Orange, CA (US); **Hossein Madanipour**, Mission Viejo, CA (US)
- (73) Assignee: **James R. Glidewell Dental Ceramics, Inc.**, Newport Beach, CA (US)

6,991,853	B2 *	1/2006	Branco de Luca	A61C 13/0003 428/542.8
8,402,624	B2 *	3/2013	Galehr	A61C 13/0022 29/281.1
8,483,857	B2 *	7/2013	Orth	A61C 13/0004 700/118
8,551,622	B2	10/2013	Ganley et al.	
8,940,402	B2 *	1/2015	Giordano	A61C 13/0022 428/542.8
9,155,598	B2 *	10/2015	Niewiadomski ...	A61C 13/0004
2006/0204932	A1	9/2006	Haymann et al.	
2012/0148985	A1 *	6/2012	Jung	A61C 13/0022 433/212.1
2012/0219930	A1	8/2012	Heinz et al.	
2013/0288026	A1	10/2013	Johnson	
2013/0316305	A1	11/2013	Carden et al.	
2013/0316306	A1	11/2013	Carden et al.	
2015/0086939	A1	3/2015	Fisker et al.	
2015/0125821	A1	5/2015	Theelke et al.	

(**) Term: **15 Years**

- (21) Appl. No.: **29/535,029**
- (22) Filed: **Aug. 3, 2015**
- (51) **LOC (10) Cl.** **24-02**
- (52) **U.S. Cl.**
USPC **D24/181**
- (58) **Field of Classification Search**
USPC D24/176, 180-182, 152, 155-156;
264/16, 19; 433/34, 201.1, 202.1,
433/203.1, 213, 215, 229
CPC A61K 6/024; A61C 13/0004; A61C
13/0003; A61C 13/0022; A61C 13/081;
A61C 13/083; A61C 13/1006; A61C
13/1013; A61C 13/102; A61C 13/20; A61C
13/34
See application file for complete search history.

FOREIGN PATENT DOCUMENTS

WO WO2013164411 A1 7/2013

* cited by examiner

Primary Examiner — Wan Laymon

(74) *Attorney, Agent, or Firm* — Dianne Burkhard

(57) **CLAIM**

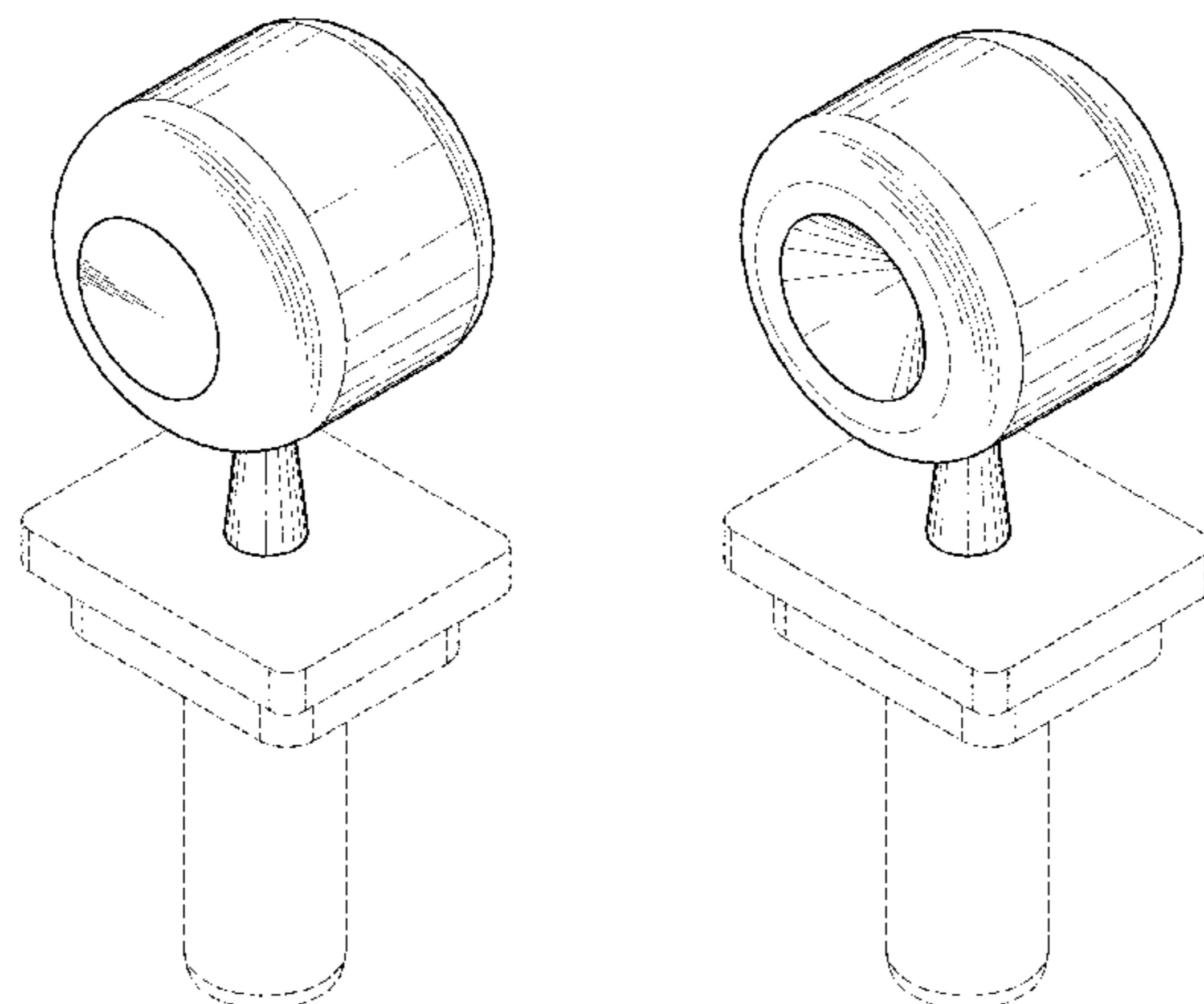
The ornamental design for a dental restoration preform, as shown and described.

DESCRIPTION

FIG. 1 is a front perspective view of a dental restoration preform showing our new design;
 FIG. 2 is a back perspective view thereof;
 FIG. 3 is a front view thereof;
 FIG. 4 is a right side view thereof;
 FIG. 5 is a back view thereof;
 FIG. 6 is a left side view thereof;
 FIG. 7 is a top view thereof; and,
 FIG. 8 is a bottom view thereof.

The shade lines in the Figures show contour and not surface ornamentation. The broken lines in the Figures show portions of the dental restoration preform that form no part of the claimed design. The dot-dash lines showing a mandrel in the Figures is to depict environmental context only and form no part of the claimed design.

1 Claim, 3 Drawing Sheets



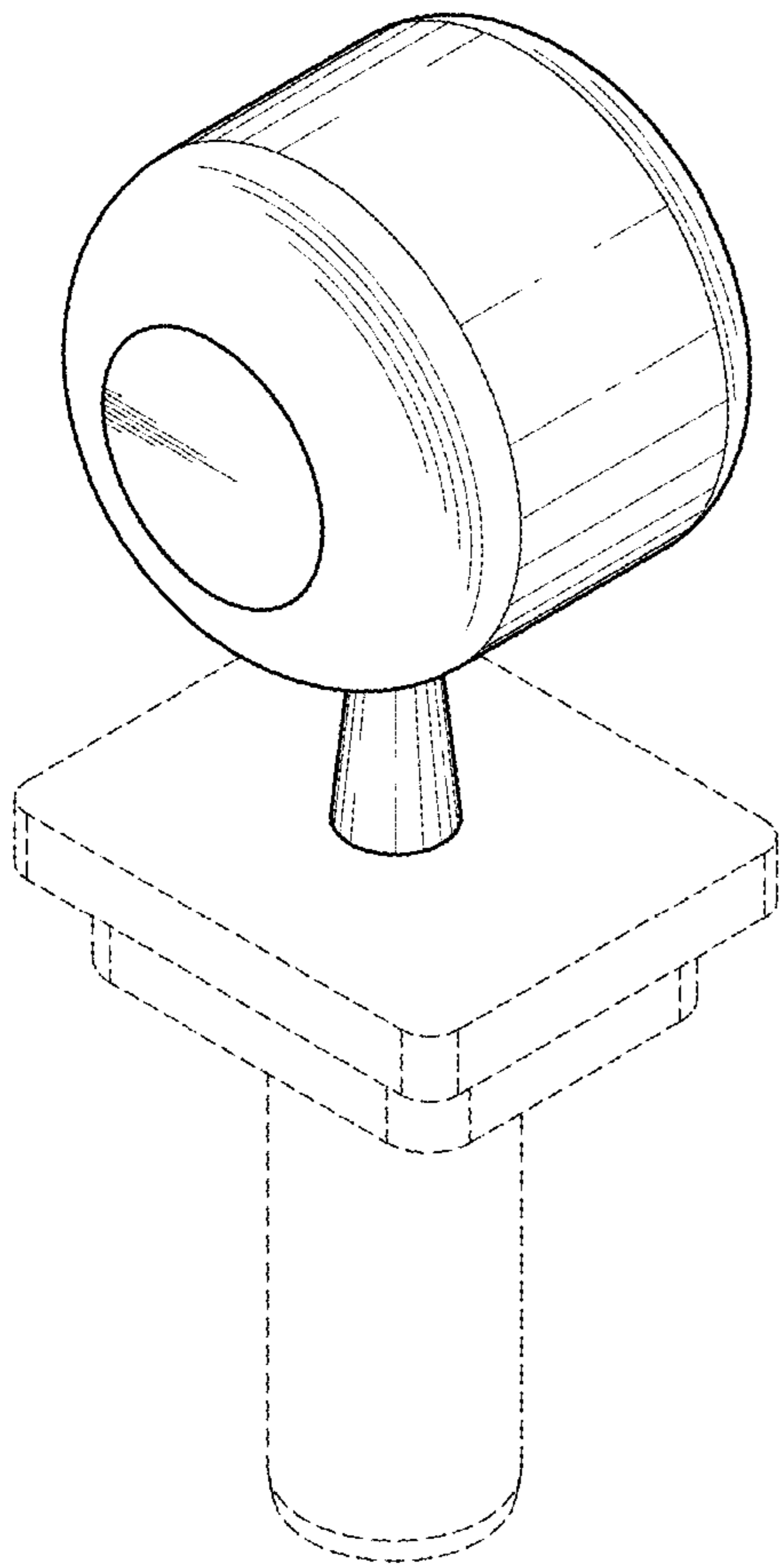


FIG. 1

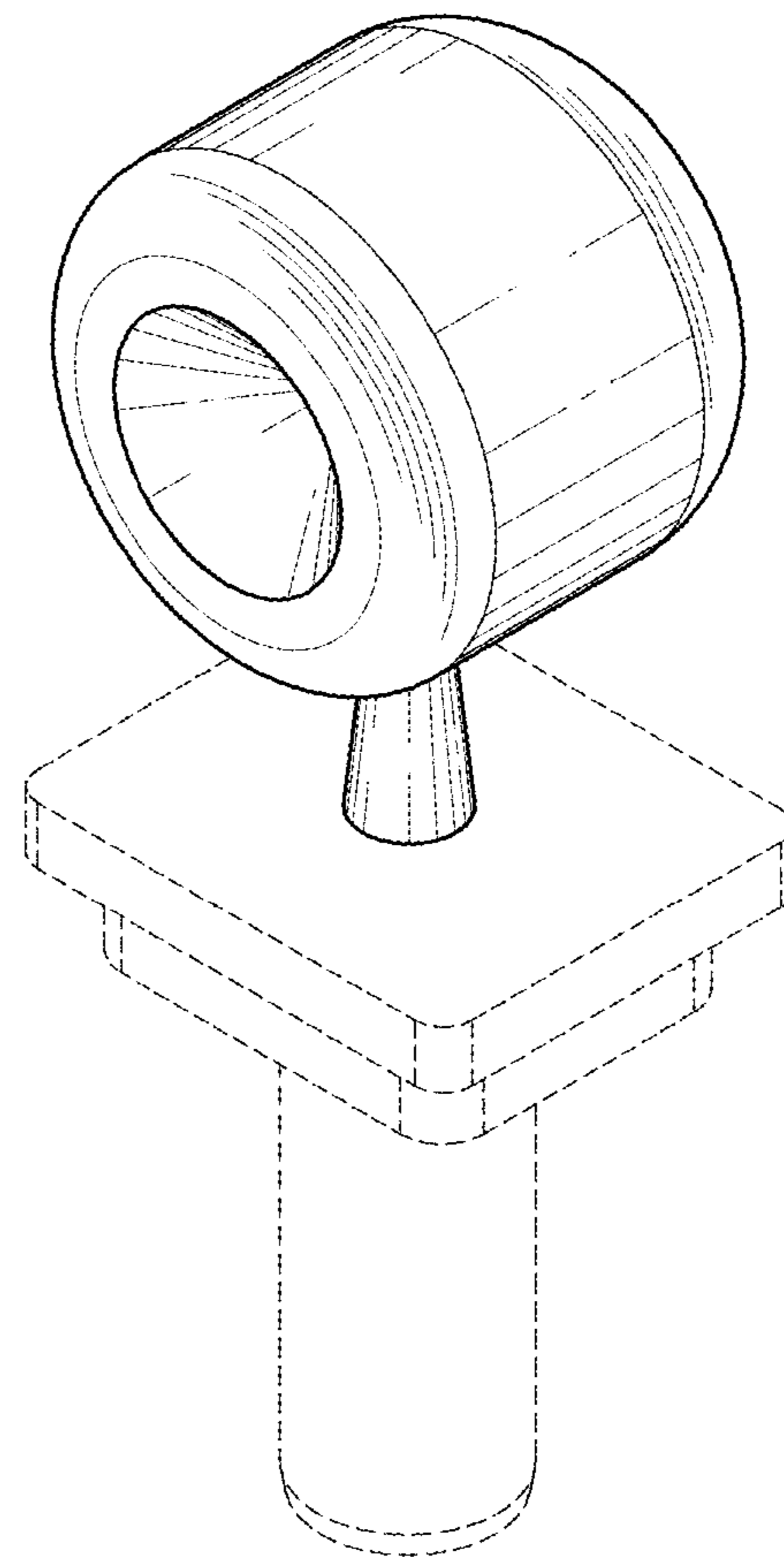


FIG. 2

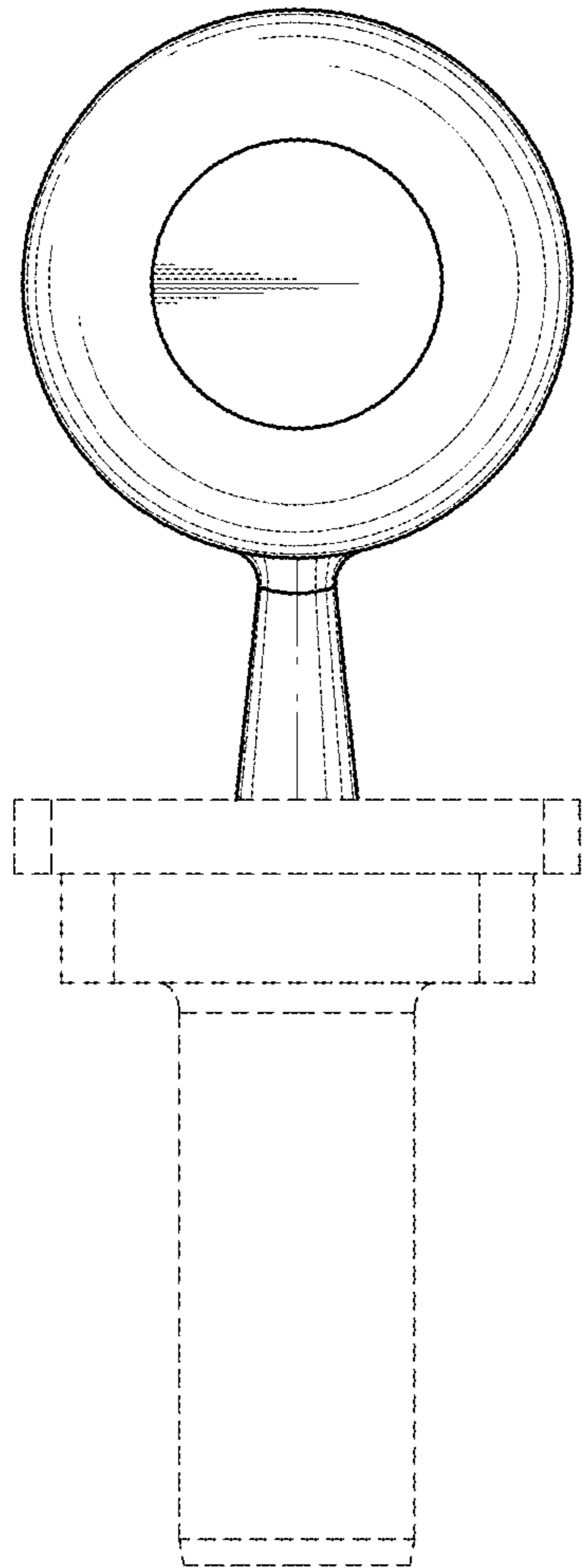


FIG. 3

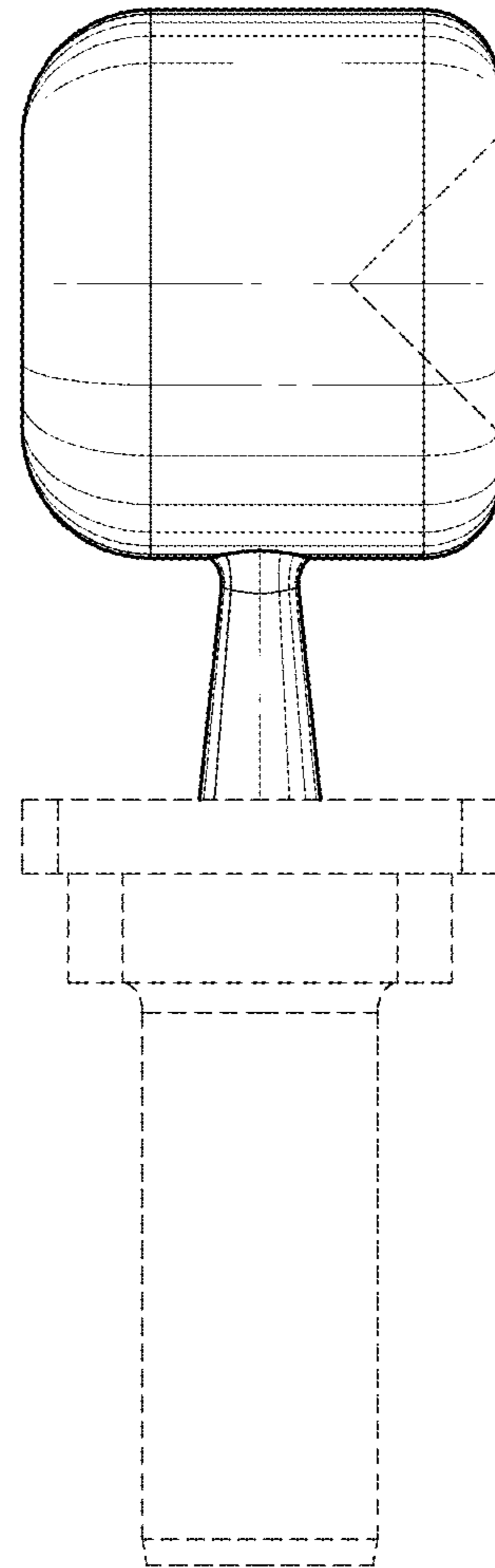


FIG. 4

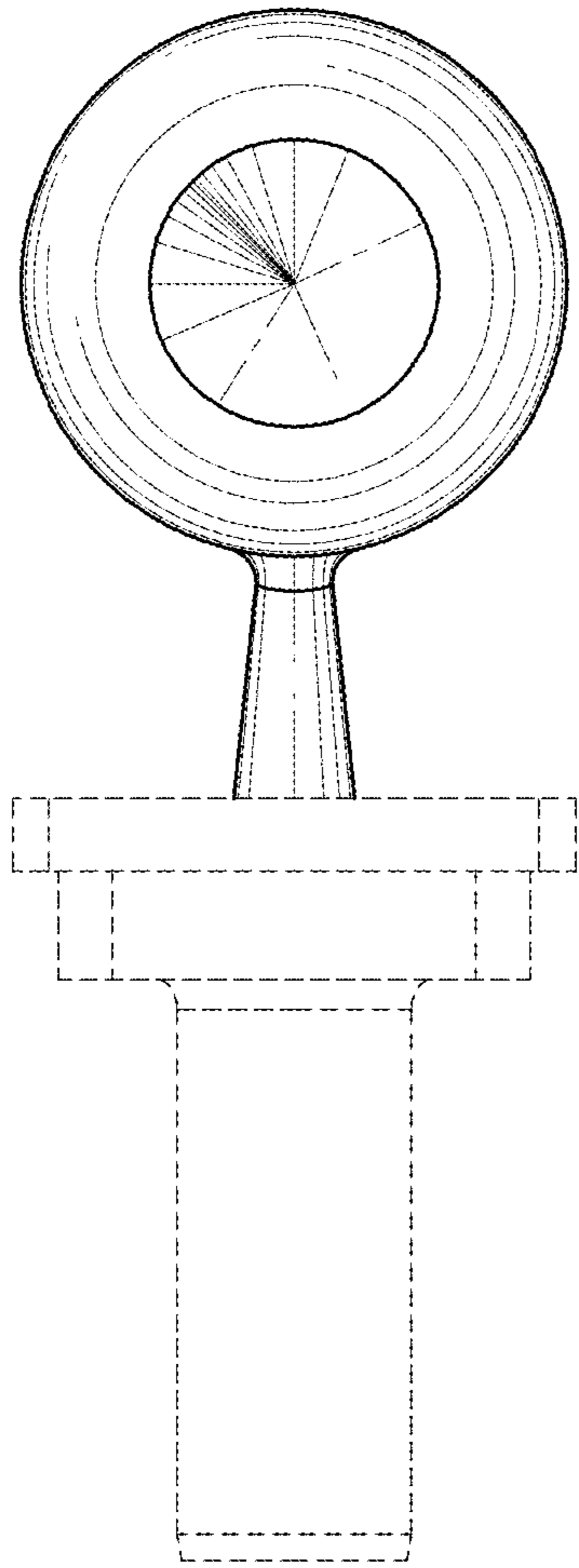


FIG. 5

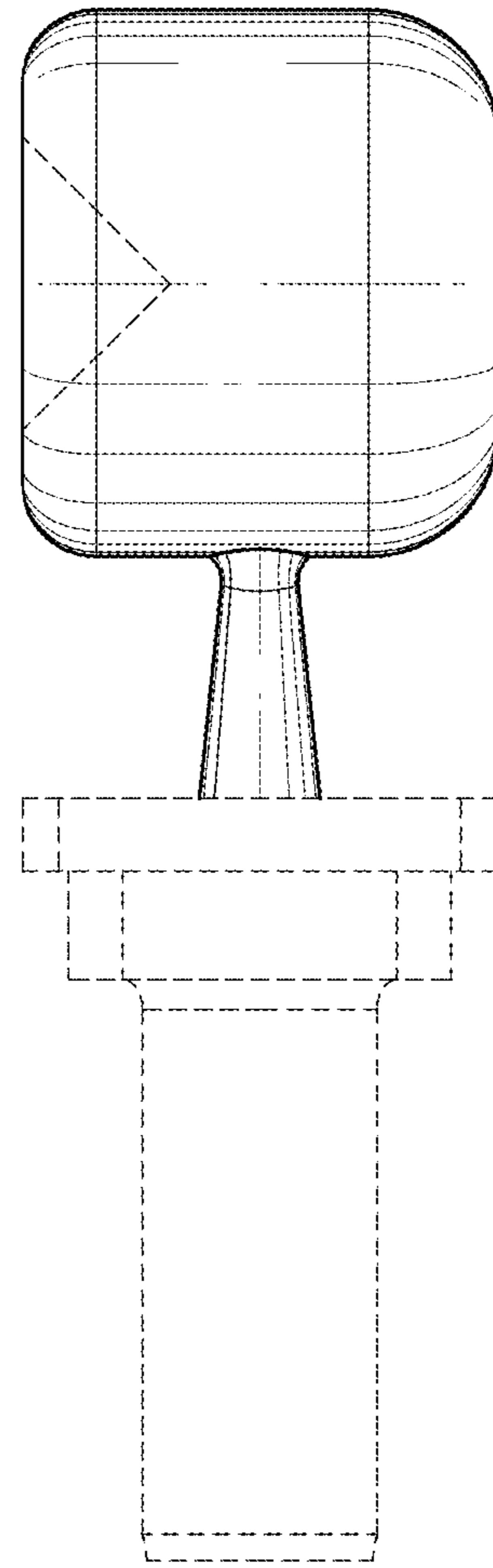


FIG. 6

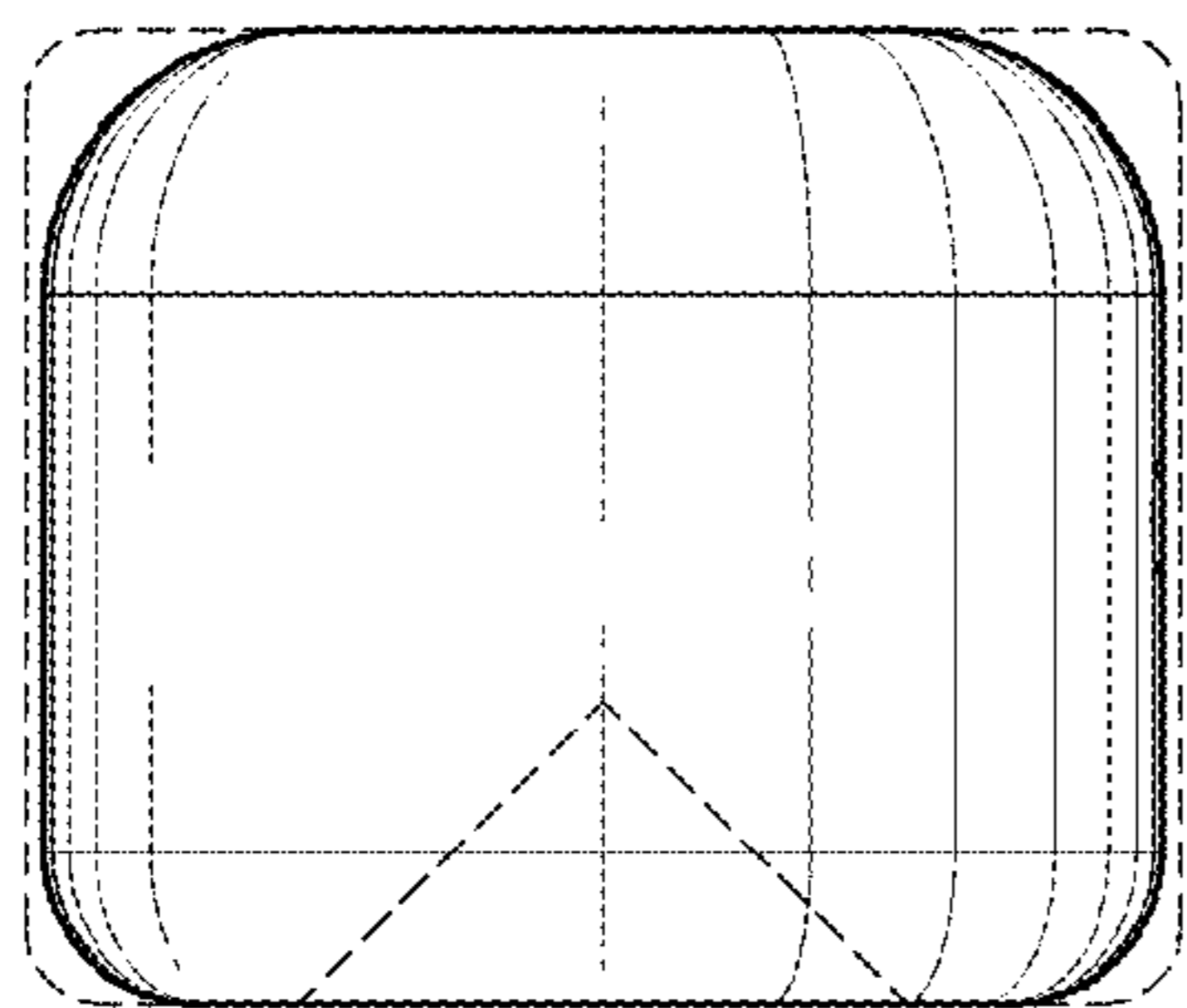


FIG. 7

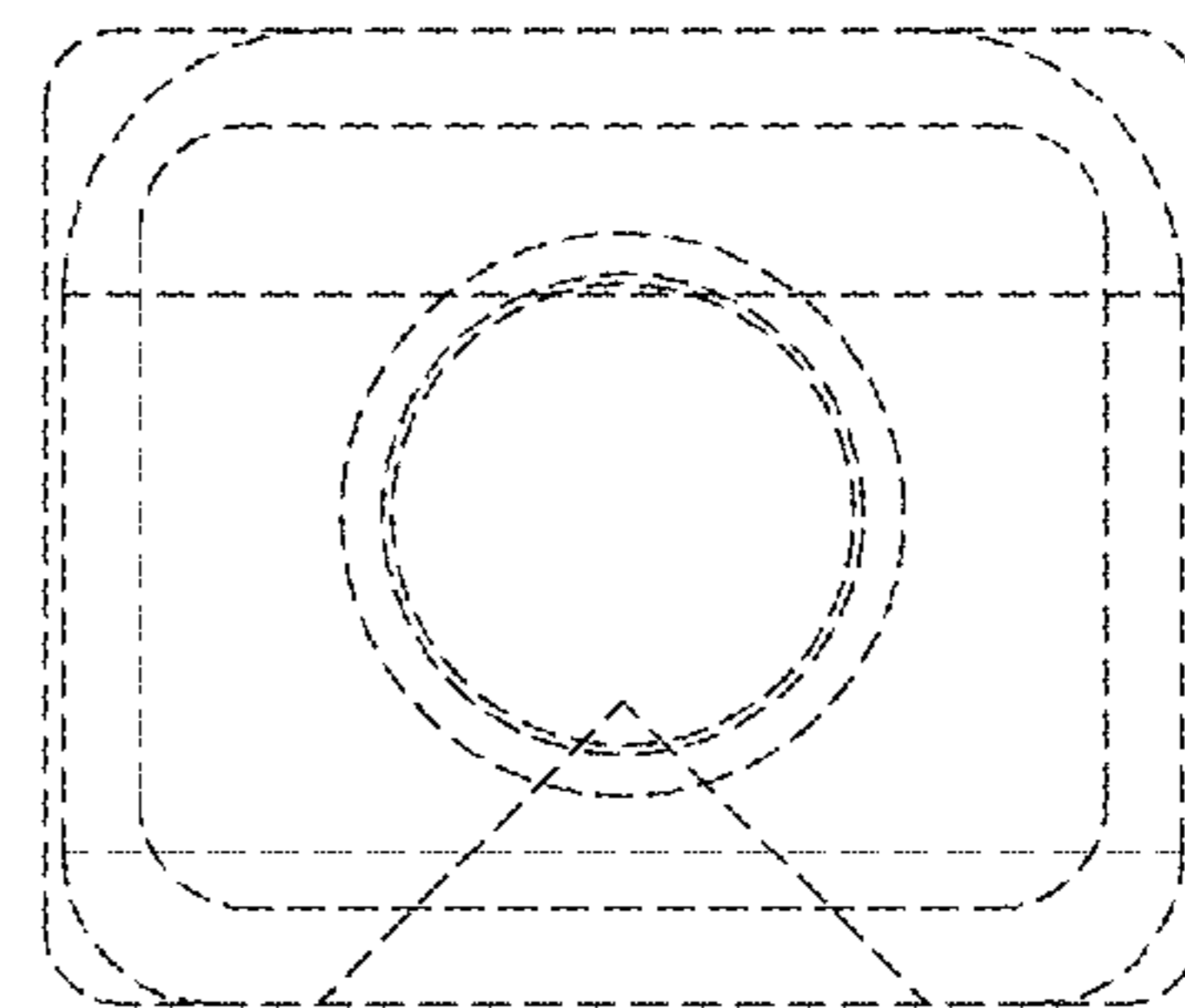


FIG. 8