



US00D769448S

(12) **United States Design Patent** (10) **Patent No.:** **US D769,448 S**
Adams et al. (45) **Date of Patent:** **** Oct. 18, 2016**

(54) **ULTRASOUND IMAGING ASSEMBLY**

(71) Applicant: **Mindray DS USA, Inc.**, Mahwah, NJ (US)

(72) Inventors: **Ishmael Adams**, Chicago, IL (US);
Luis Canas, Randolph, MA (US);
Amanda Cowley, Pittsburgh, PA (US);
Peter Schon, New York City, NY (US)

(73) Assignee: **SHENZHEN MINDRAY BIO-MEDICAL ELECTRONICS CO. LTD.**, Shenzhen (CN)

(**) Term: **14 Years**

(21) Appl. No.: **29/494,549**

(22) Filed: **Jun. 20, 2014**

(51) **LOC (10) Cl.** **24-01**

(52) **U.S. Cl.**
USPC **D24/160**

(58) **Field of Classification Search**
USPC D24/158-161, 185, 186, 107
CPC A61B 8/13; A61B 8/44; A61B 8/42;
A61B 8/46; A61B 8/54
See application file for complete search history.

(56) **References Cited**

U.S. PATENT DOCUMENTS

D648,855 S * 11/2011 Smith D24/158
D657,470 S * 4/2012 Schon D24/186
D687,147 S * 7/2013 Yoshida D24/185
D696,783 S * 12/2013 Chung D24/185

D699,852 S * 2/2014 Chung D24/158
D708,341 S * 7/2014 Ikegame D24/185
D712,042 S * 8/2014 Chung D24/185
D712,540 S * 9/2014 Hansen D24/158
D714,941 S * 10/2014 Kim D24/158
D739,538 S * 9/2015 Bernal D24/185
2014/0117635 A1 * 5/2014 Ninomiya A61B 8/4405
280/35

* cited by examiner

Primary Examiner — Anhdao Doan

(74) *Attorney, Agent, or Firm* — Kory D. Christensen;
Stoel Rives LLP

(57) **CLAIM**

The ornamental design for an ultrasound imaging assembly, as shown and described.

DESCRIPTION

FIG. 1 is a front perspective of one embodiment of an ultrasound imaging assembly showing our new design; FIG. 2 is a bottom perspective view thereof; FIG. 3 is a rear elevation view thereof; FIG. 4 is a front elevation view thereof; FIG. 5 is a side elevation view thereof; FIG. 6 is a side elevation view thereof; and, FIG. 7 is a top plan view thereof.

The broken lines immediately adjacent the shaded areas represent the bounds of the claimed design, while all other broken lines are directed to environment and are for illustrative purposes only; broken lines form no part of the claimed design.

1 Claim, 7 Drawing Sheets

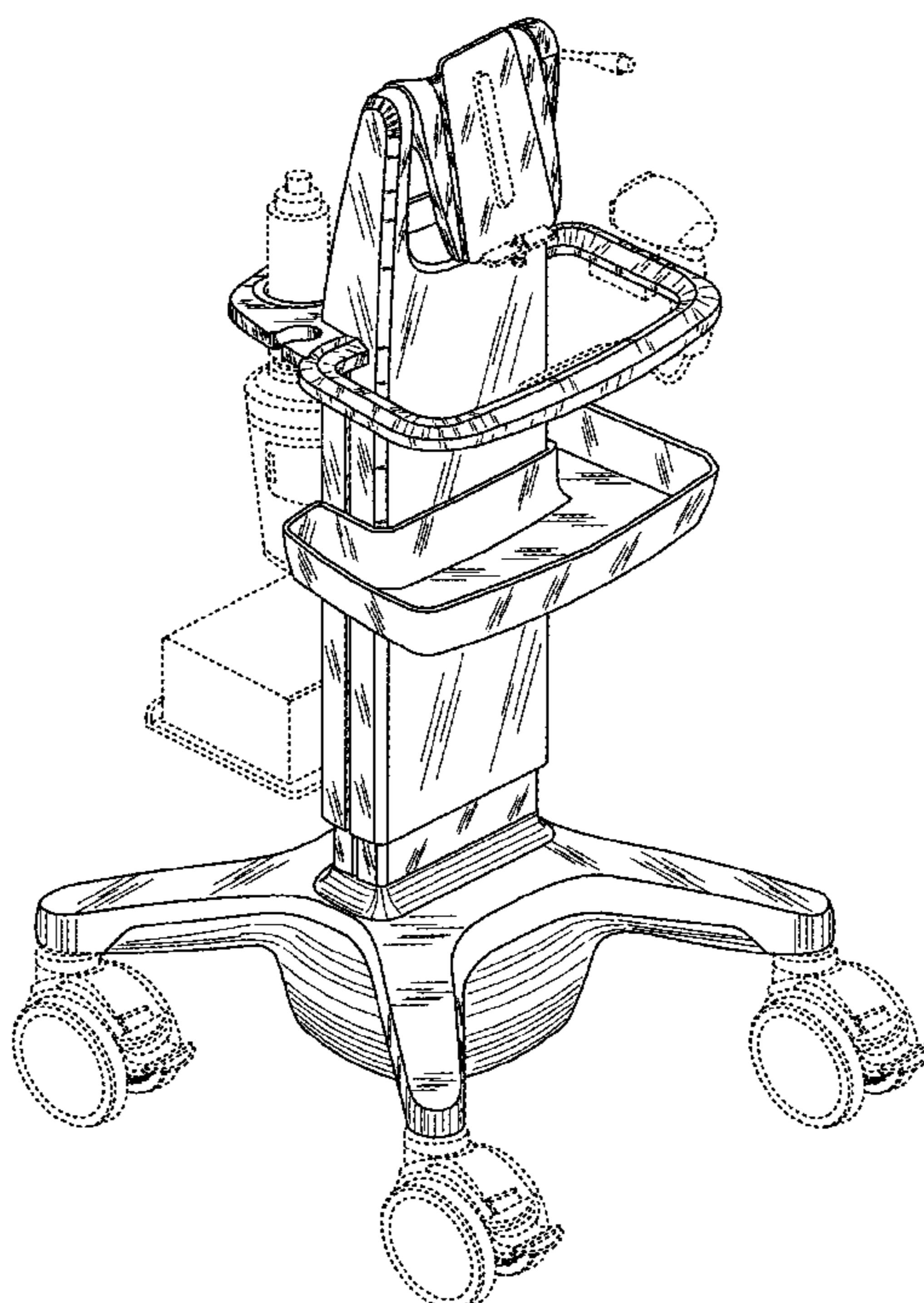


FIG. 1

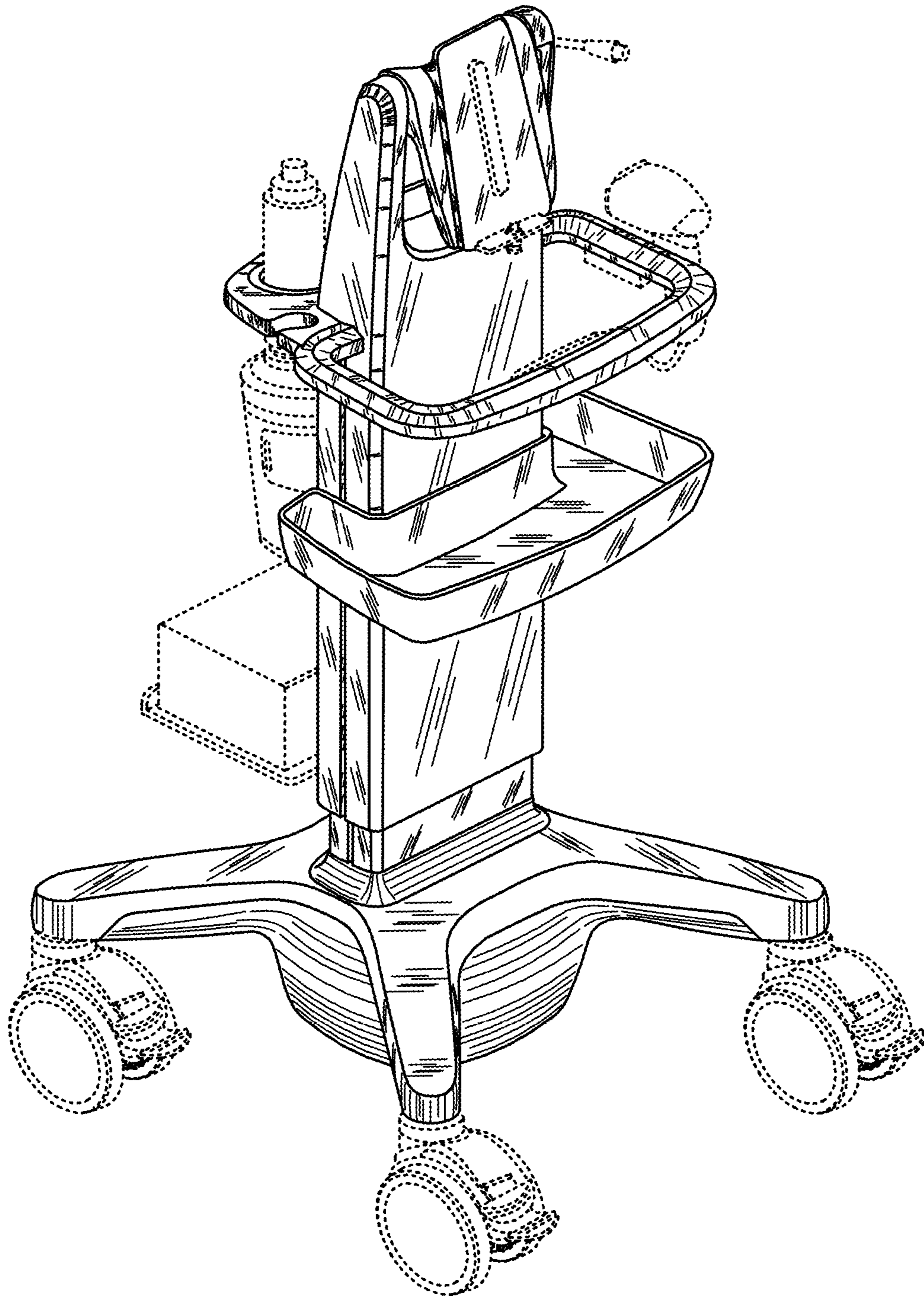


FIG. 2

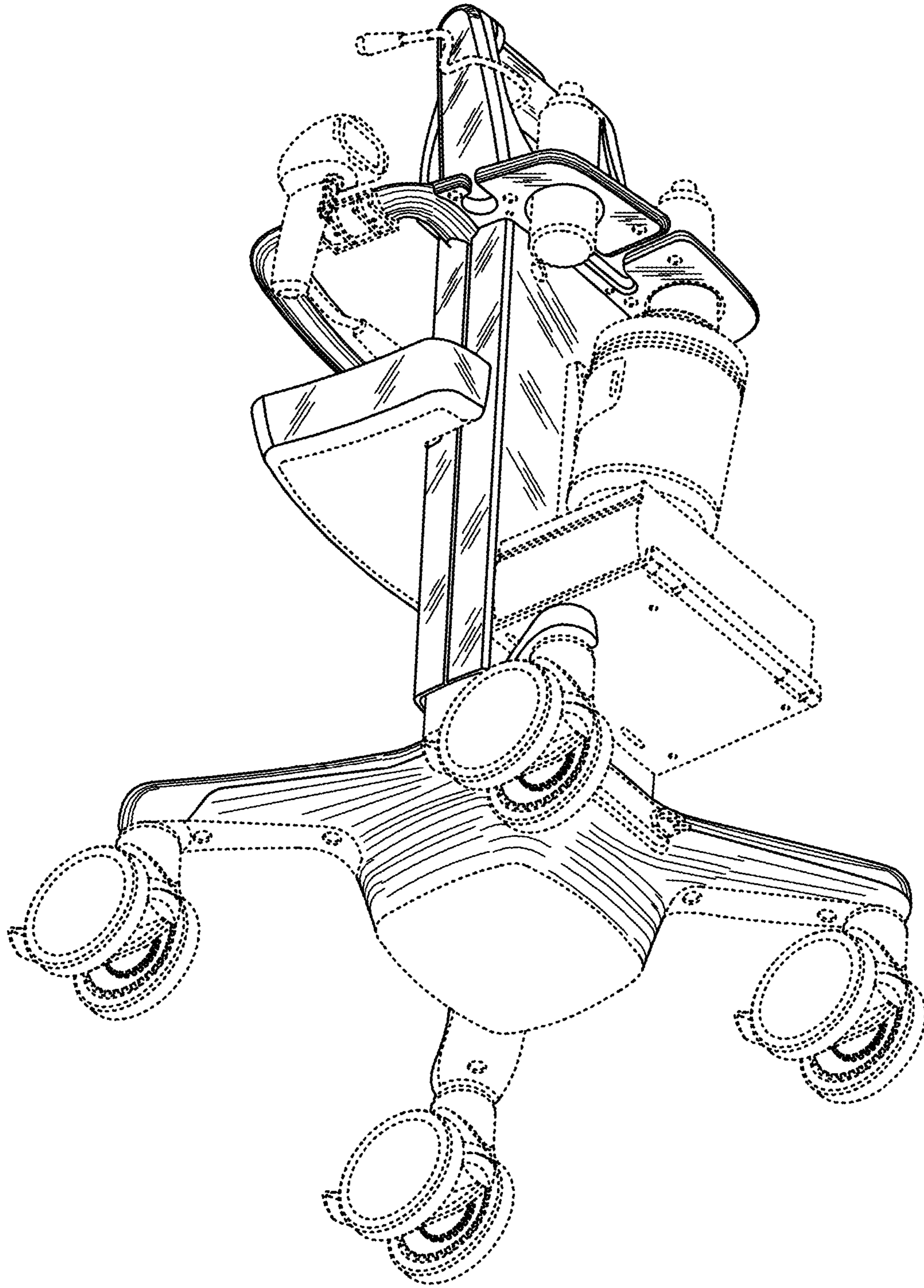


FIG. 3

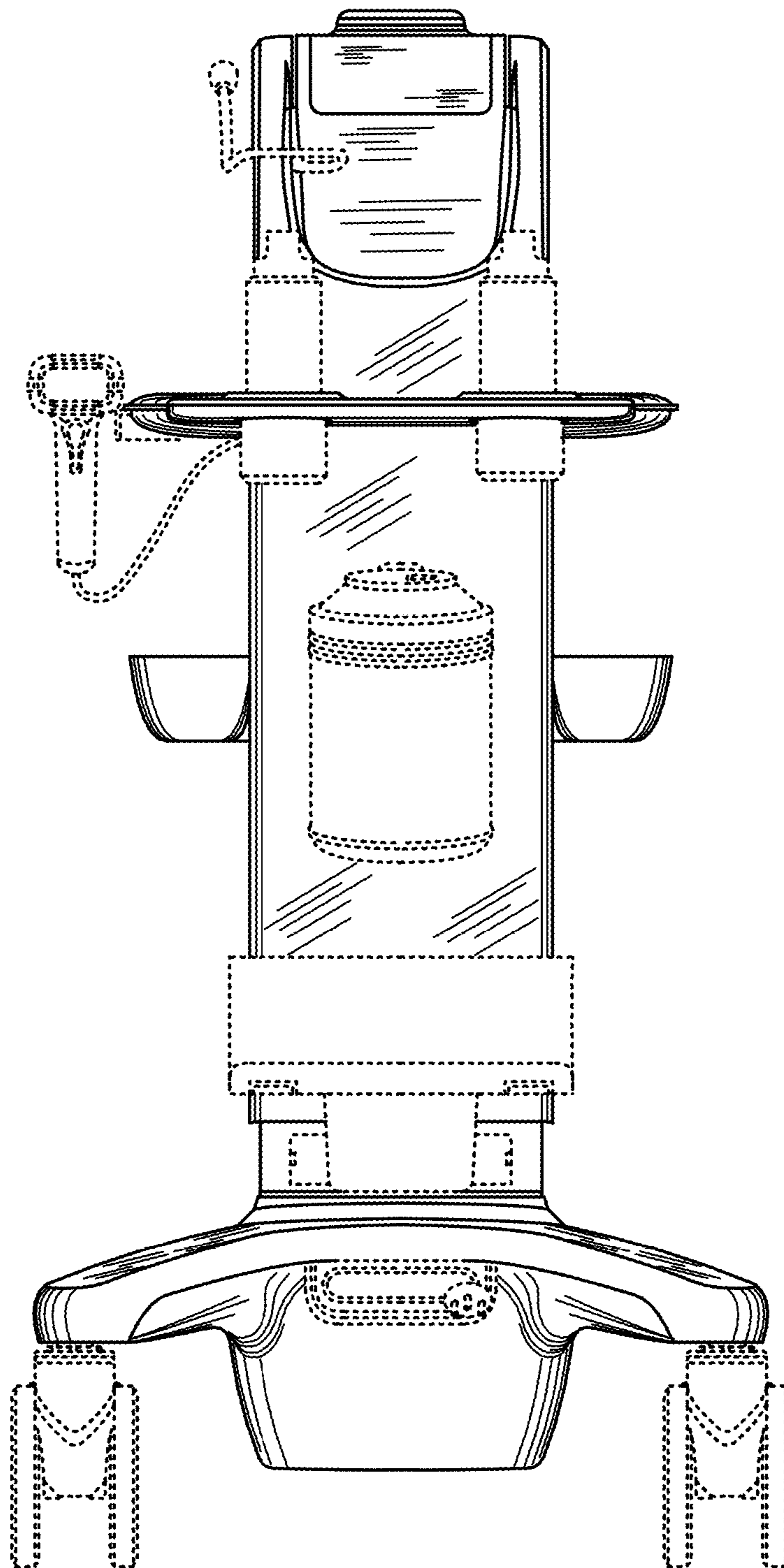


FIG. 4

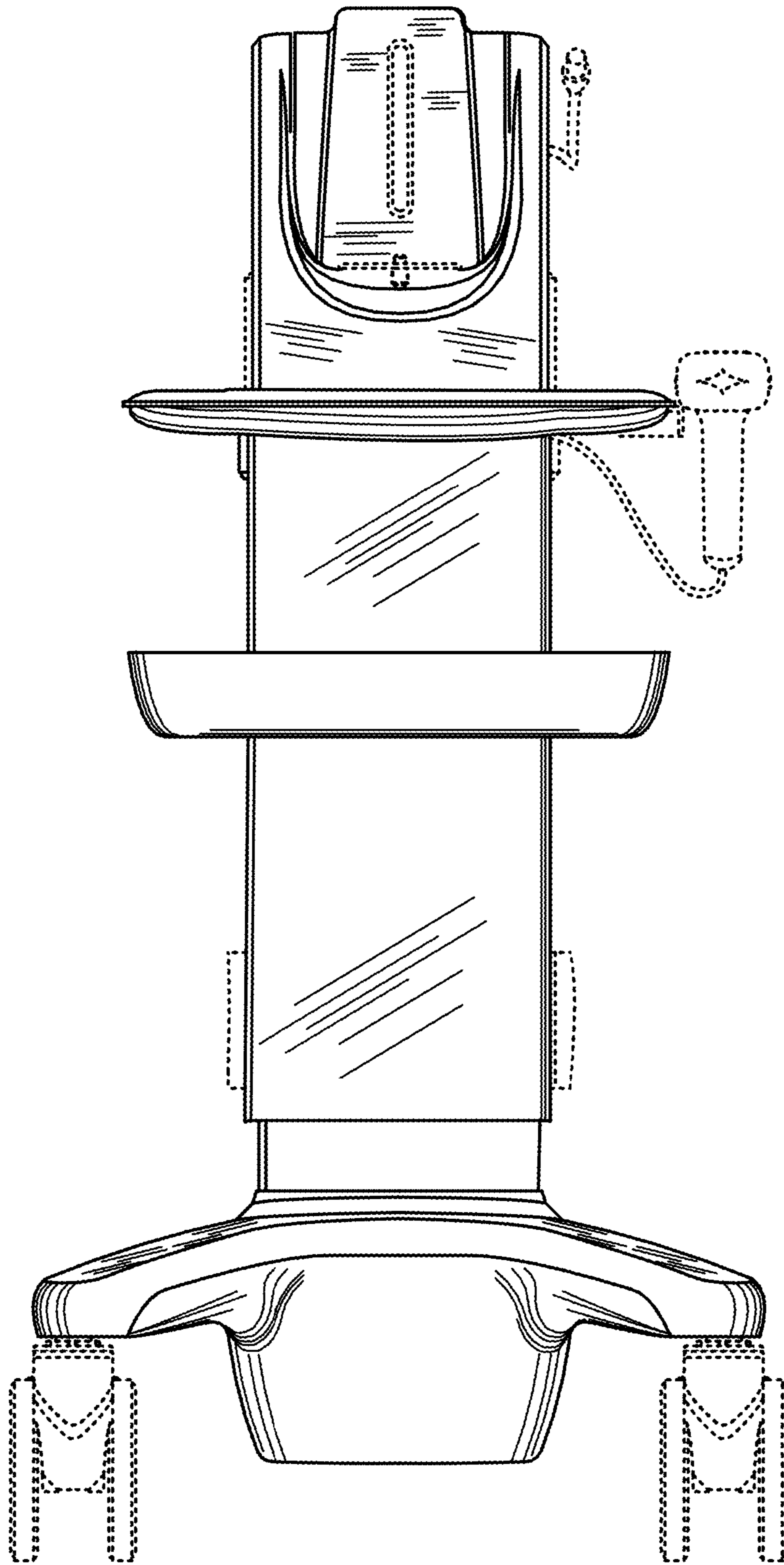


FIG. 5

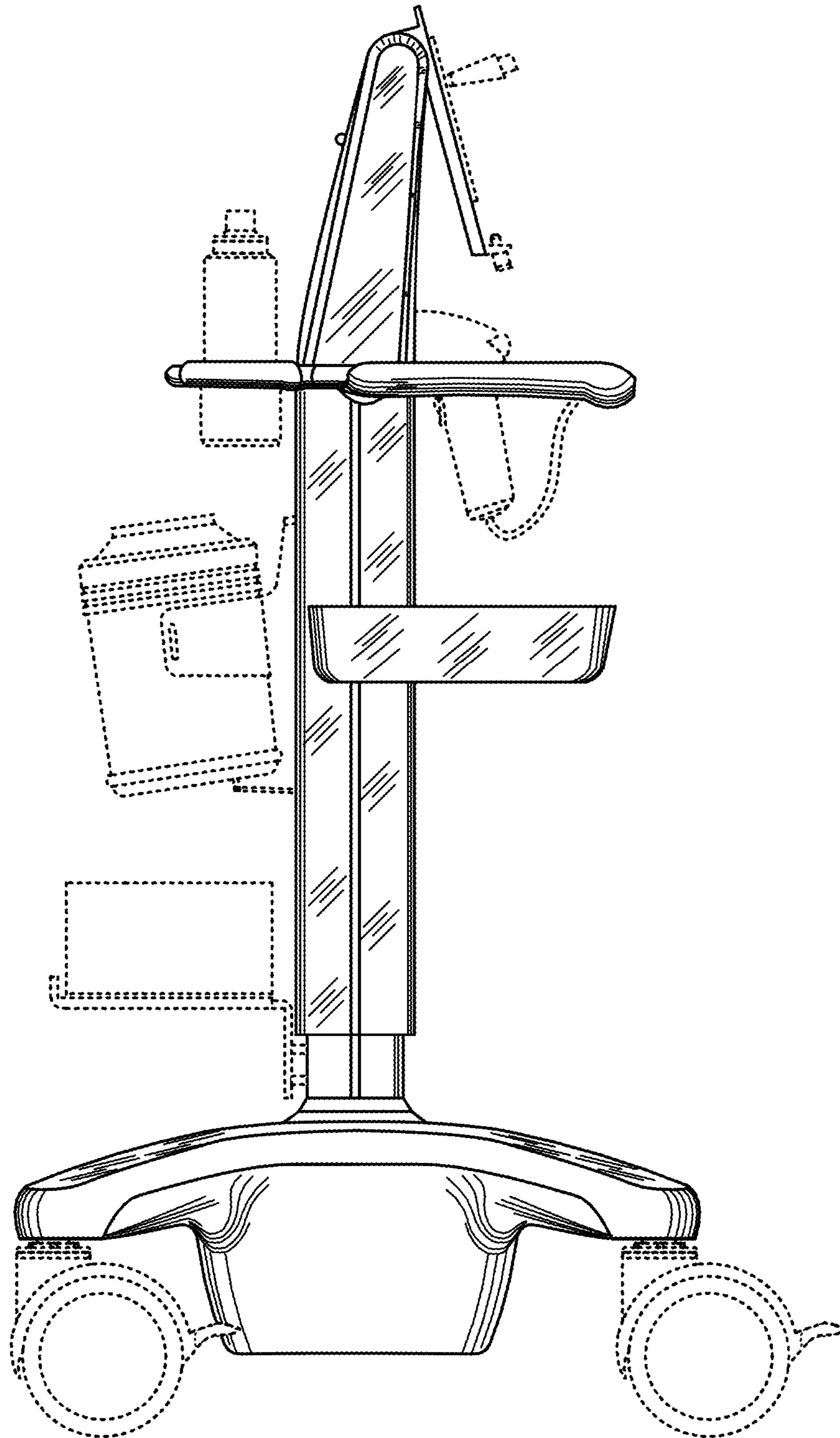


FIG. 6

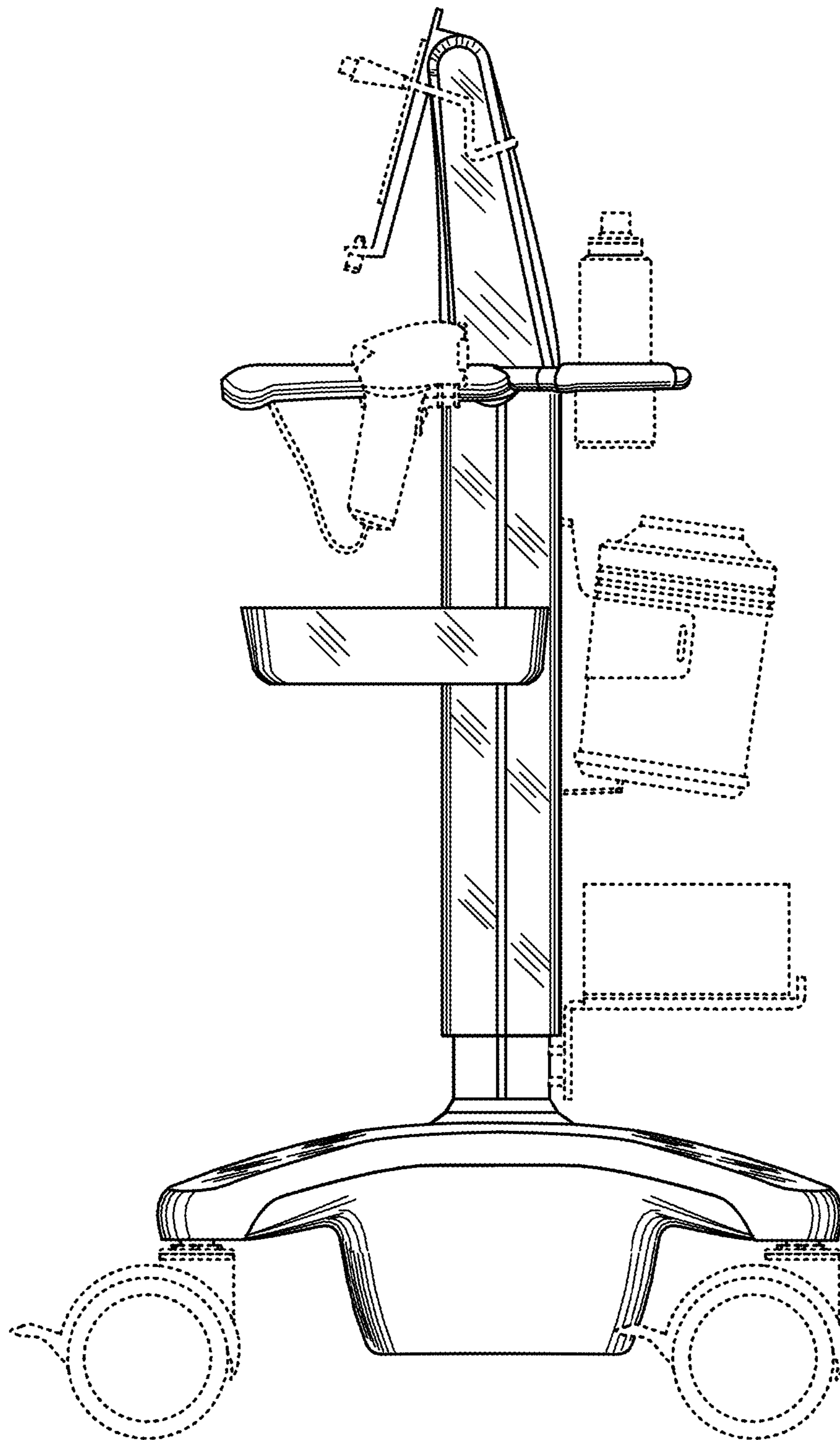


FIG. 7

