



US00D769447S

(12) **United States Design Patent** (10) **Patent No.:** **US D769,447 S**
Choumach et al. (45) **Date of Patent:** **** Oct. 18, 2016**

(54) **CASING OF A HAND HELD X-RAY
FLUORESCENCE (XRF) ANALYZER
INSTRUMENT**

(71) Applicants: **Azeddine Choumach**, Westford, MA
(US); **Cole Derby**, East Palo Alto, CA
(US); **Daniel Harden**, Palo Alto, CA
(US)

(72) Inventors: **Azeddine Choumach**, Westford, MA
(US); **Cole Derby**, East Palo Alto, CA
(US); **Daniel Harden**, Palo Alto, CA
(US)

(73) Assignee: **Olympus Scientific Solutions
Americas Inc.**, Waltham, MA (US)

(**) Term: **15 Years**

(21) Appl. No.: **29/542,589**

(22) Filed: **Oct. 15, 2015**

(51) **LOC (10) Cl.** **24-01**

(52) **U.S. Cl.**
USPC **D24/158**

(58) **Field of Classification Search**
USPC D24/158, 186, 187, 216, 107, 231-233;
D10/81, 78; D14/434, 453; D13/108
CPC .. A61B 6/485; G01N 23/043; G01N 23/223;
G01N 2223/076; G01N 2223/0766; G01N
2223/301; G01B 15/02; H02J 7/0044
See application file for complete search history.

(56) **References Cited**

U.S. PATENT DOCUMENTS

5,237,162 A * 8/1993 Harden G06K 7/10881
235/455
D342,064 S * 12/1993 Harden D14/426

6,459,767 B1 * 10/2002 Boyer G01N 23/223
378/121
D623,641 S * 9/2010 Harden D14/253
D697,210 S * 1/2014 Delaney D24/158
2008/0192889 A1 * 8/2008 Rohde G01N 23/223
378/45
2008/0192897 A1 * 8/2008 Piorek G01N 23/223
378/98.8
2014/0307849 A1 * 10/2014 Cancre G01N 23/223
378/45
2015/0212018 A1 * 7/2015 Shields G01N 23/223
378/44
2016/0084777 A1 * 3/2016 Smith, Jr. G01N 23/223
378/45

* cited by examiner

Primary Examiner — Anhdao Doan

(74) *Attorney, Agent, or Firm* — Tricia Liu

(57) **CLAIM**

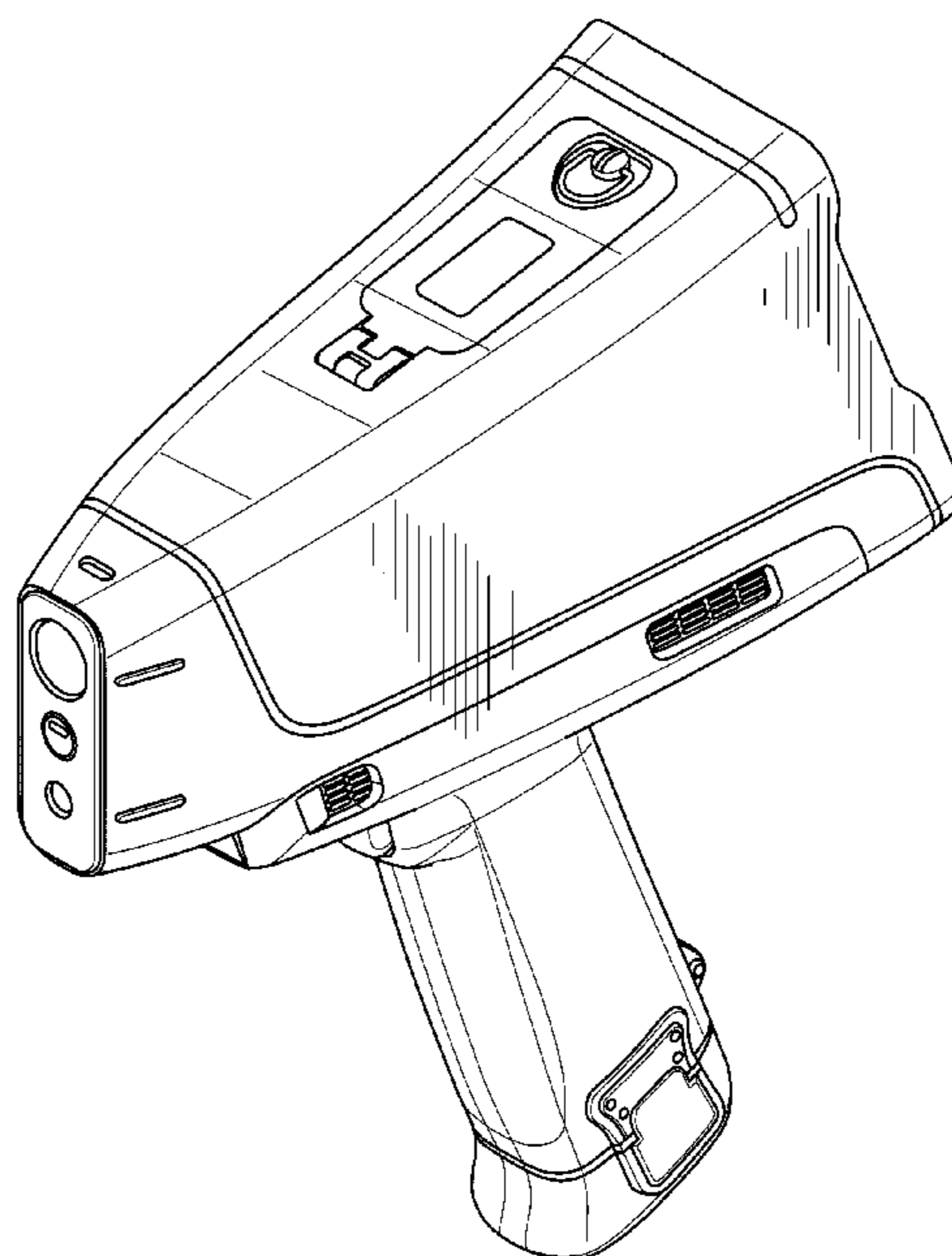
The ornamental design for a casing of a hand held x-ray
fluorescence (XRF) analyzer instrument, as shown and
described.

DESCRIPTION

FIG. 1 is an isometric view of a casing of a hand held XRF
analyzer instrument shown with an environment;
FIG. 2 is an isometric view thereof shown without an
environment;
FIG. 3 is a right side view thereof;
FIG. 4 is a left side view thereof;
FIG. 5 is a front view thereof;
FIG. 6 is a back view thereof;
FIG. 7 is a top view thereof; and,
FIG. 8 is a bottom view thereof.

The broken line showing of the strap in FIG. 1 represents an
environment and forms no part of the claimed design.

1 Claim, 6 Drawing Sheets



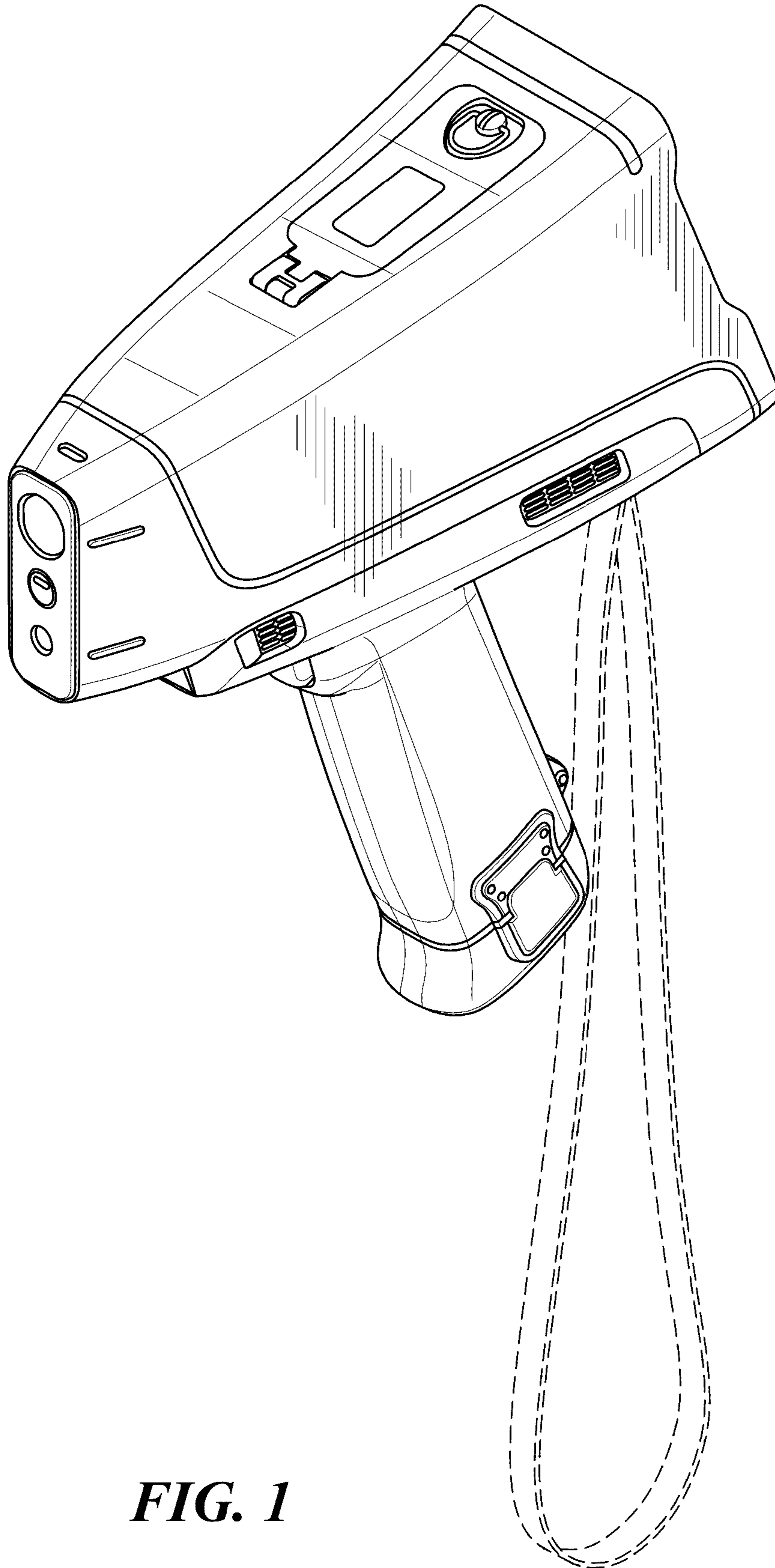


FIG. 1

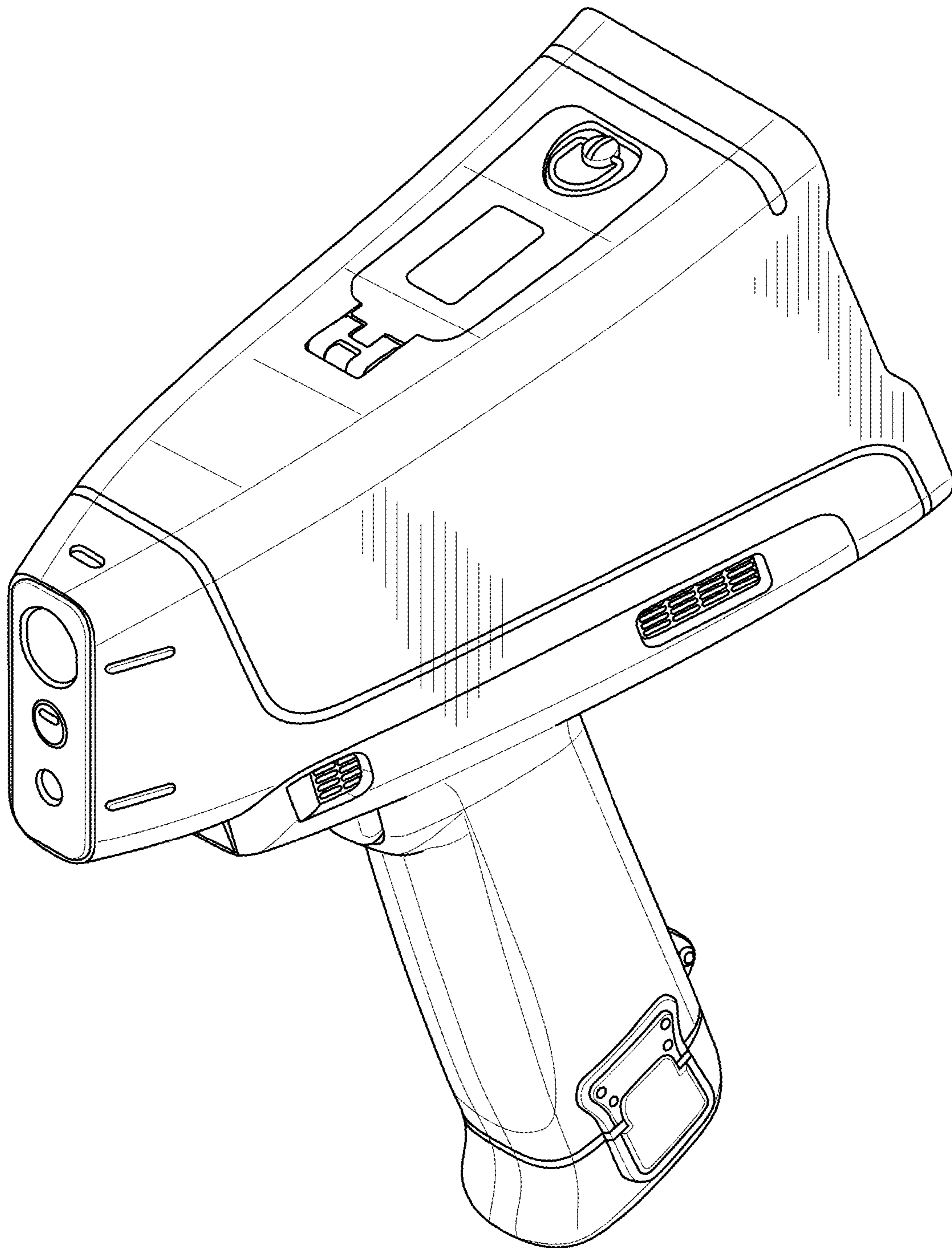


FIG. 2

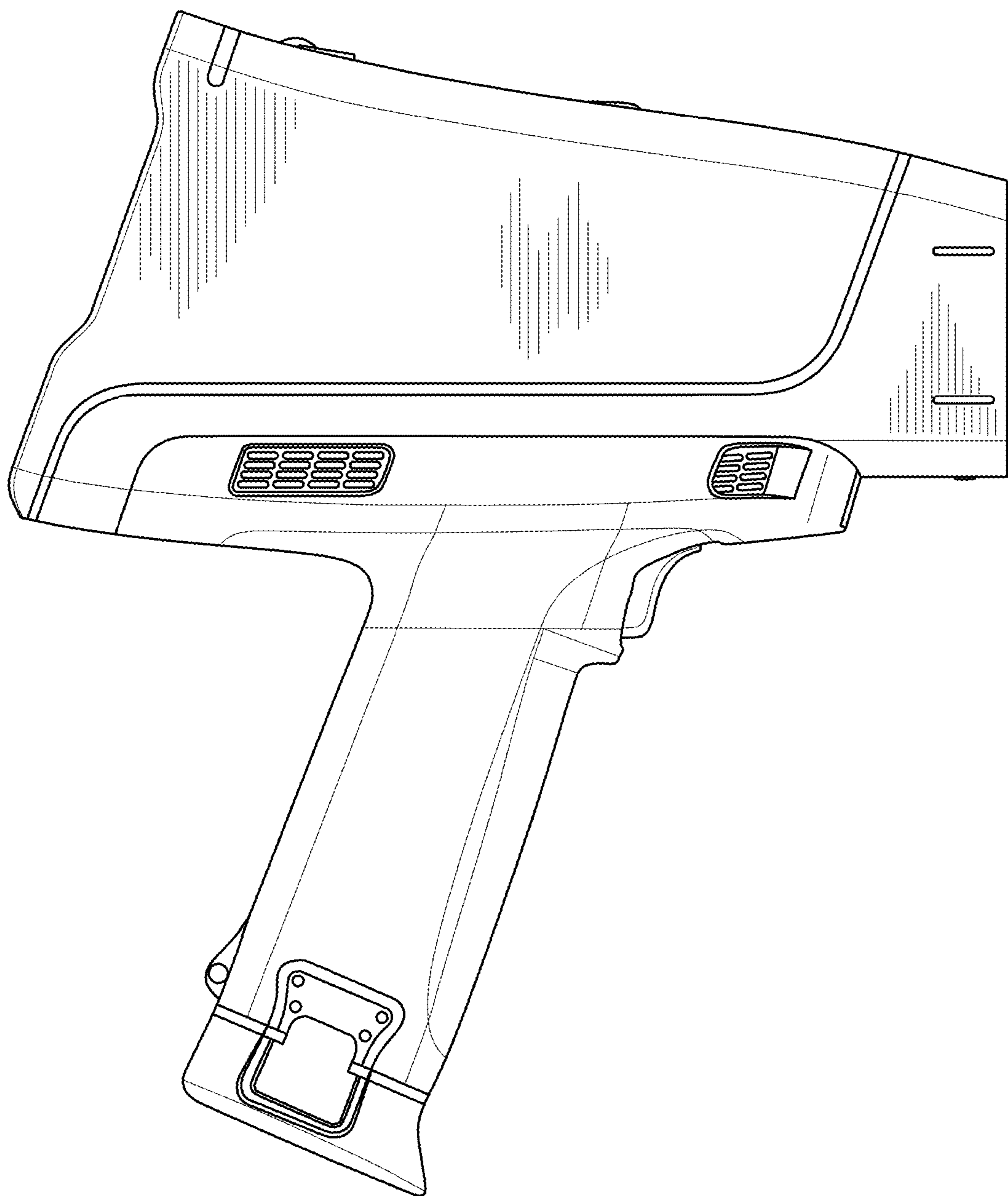


FIG. 3

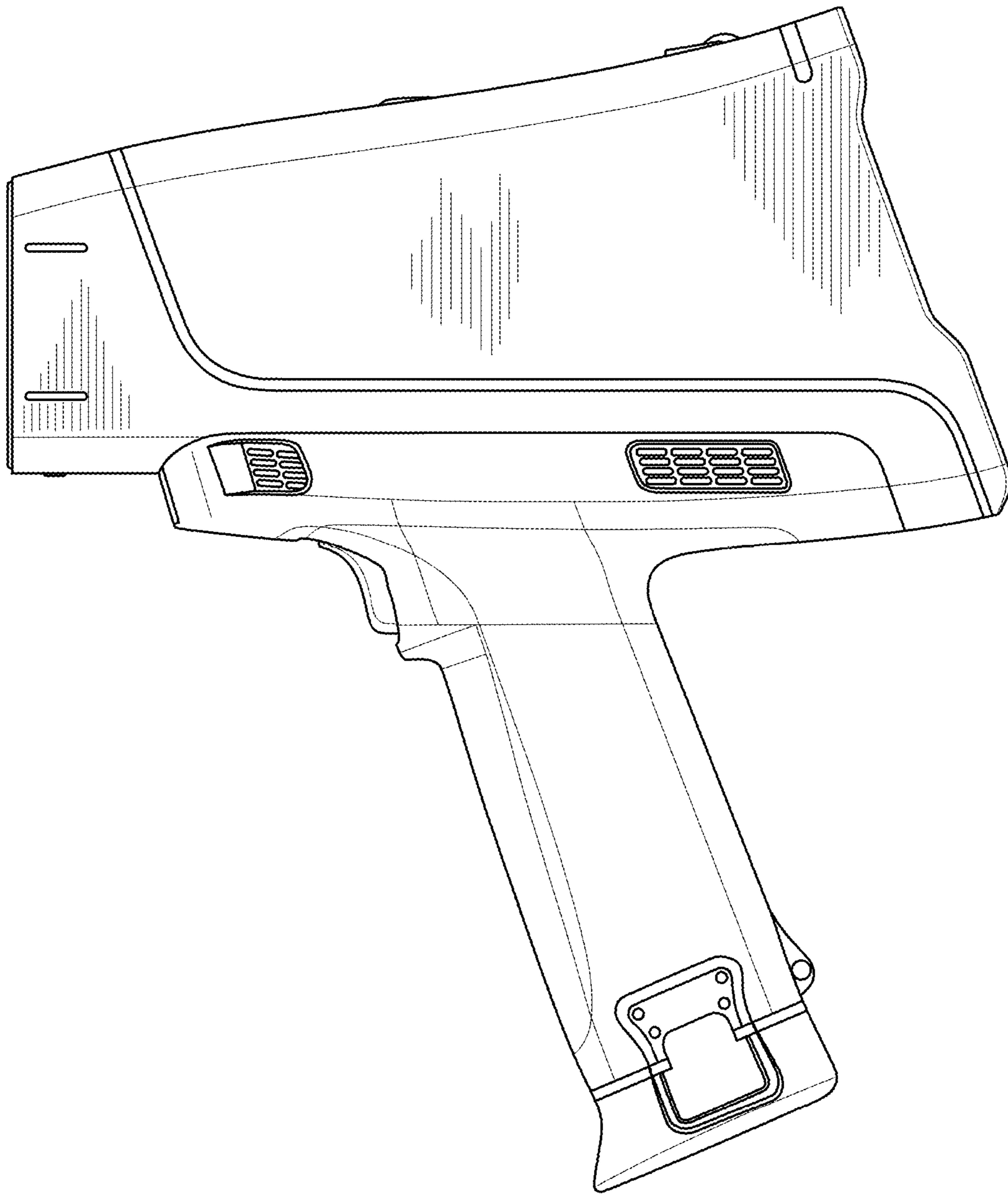


FIG. 4

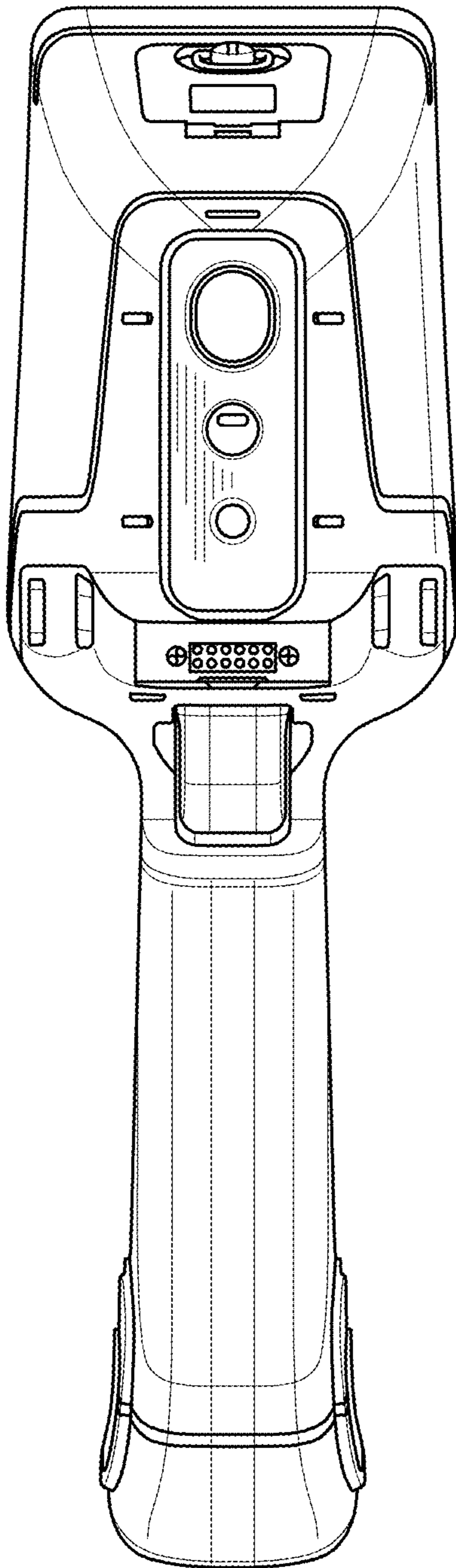


FIG. 5

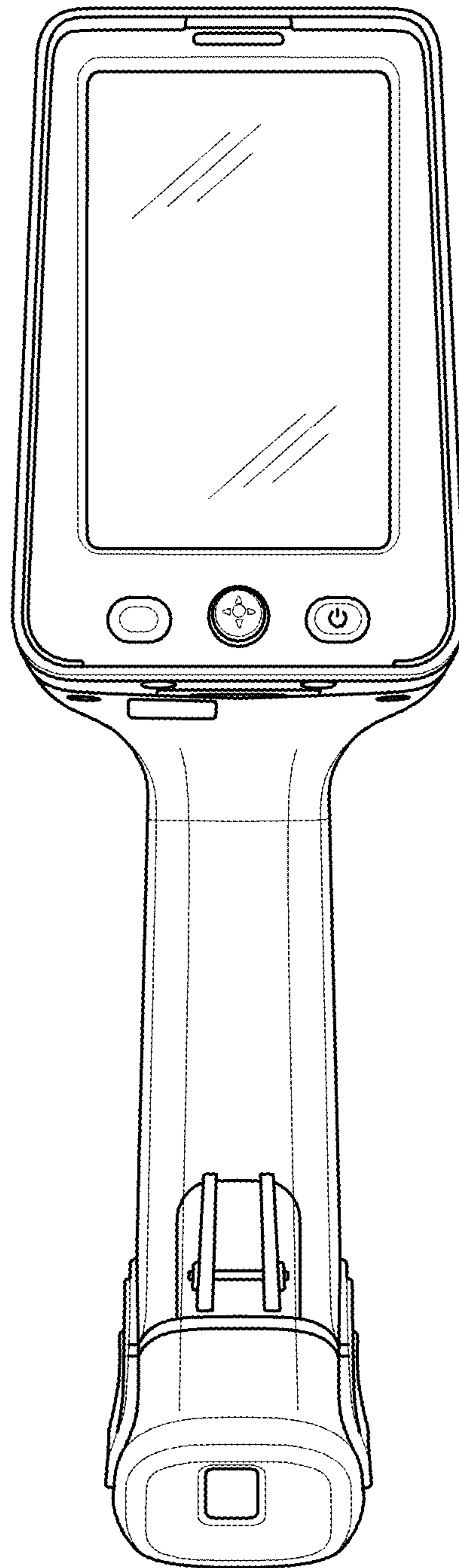


FIG. 6

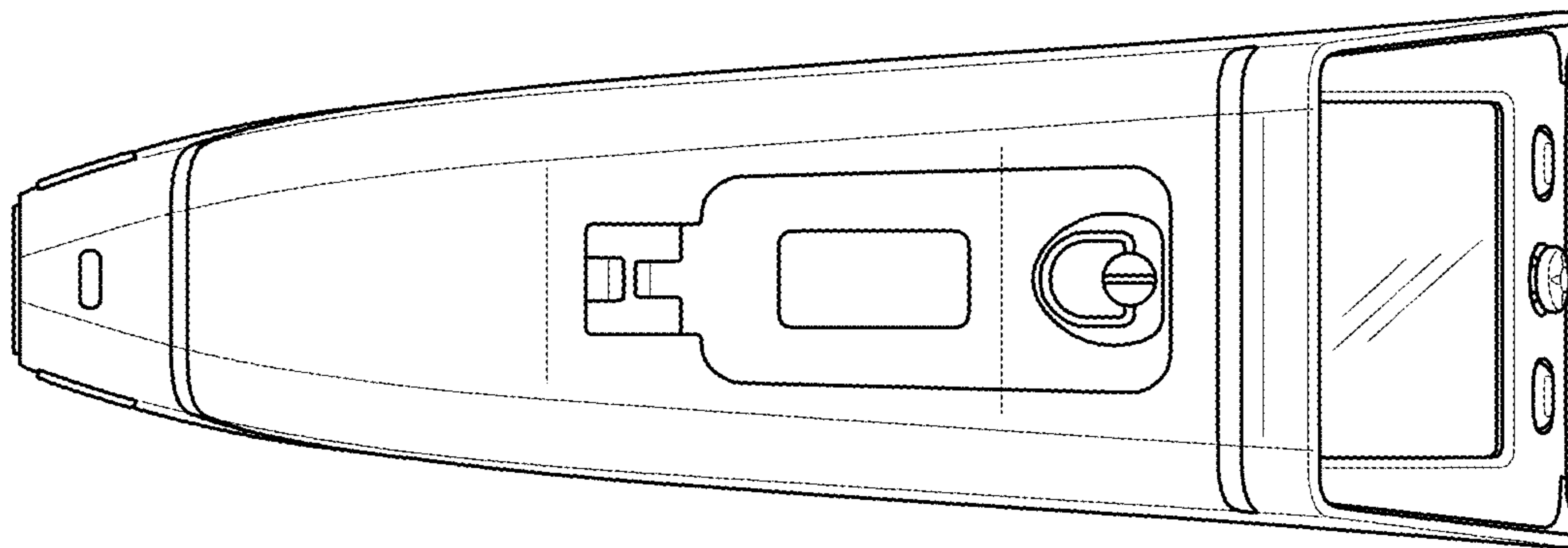


FIG. 7

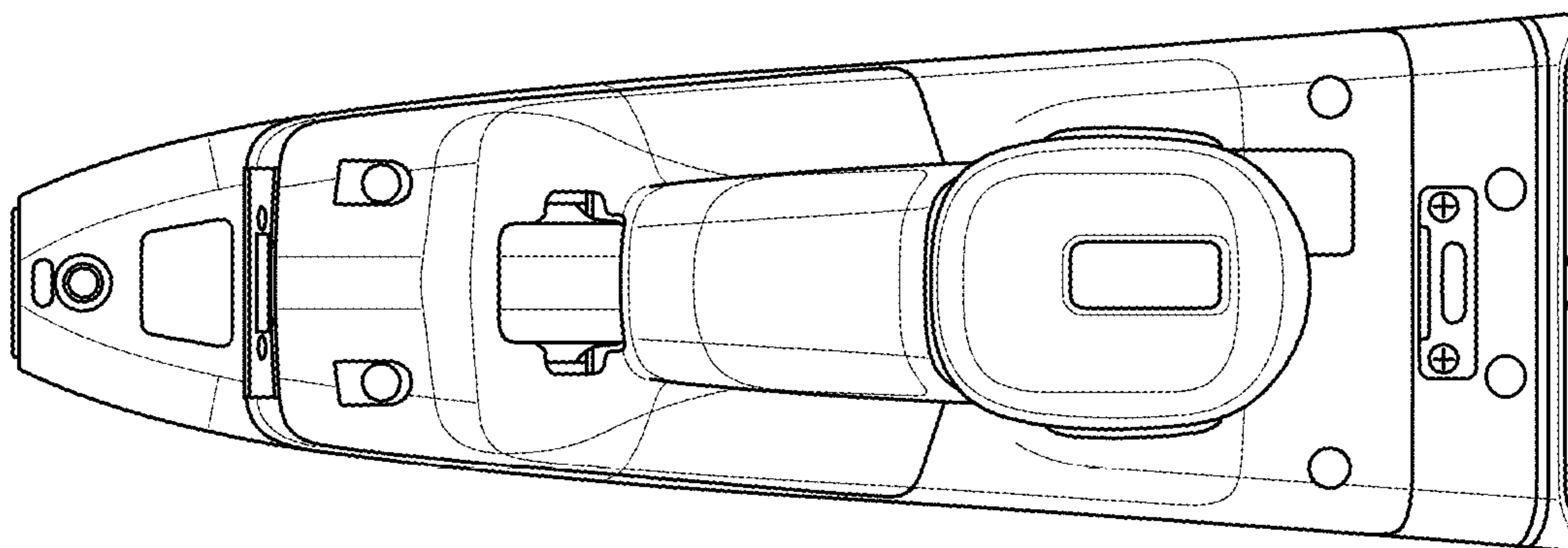


FIG. 8