



US00D769446S

(12) **United States Design Patent** (10) **Patent No.:** **US D769,446 S**
Liu et al. (45) **Date of Patent:** **** Oct. 18, 2016**

(54) **MOBILE X-RAY DIGITAL IMAGING APPRATUS**
(71) Applicant: **Shanghai United Imaging Healthcare Co., Ltd.**, Shanghai (CN)
(72) Inventors: **Minkai Liu**, Shanghai (CN); **Jun Zhang**, Shanghai (CN); **Mengxi Lin**, Shanghai (CN); **Yusheng Yin**, Shanghai (CN); **Chunjiang Yao**, Shanghai (CN); **Dandan Hu**, Shanghai (CN); **Chao Zhi**, Shanghai (CN)

D680,650 S * 4/2013 Muraoka D24/158
D690,012 S * 9/2013 Yanase D24/158
D710,012 S * 7/2014 Polhamus D24/158
D714,941 S * 10/2014 Kim D24/158
D724,738 S * 3/2015 Dorris D24/158
2010/0329426 A1* 12/2010 Oda A61B 6/4405
378/98.2
2013/0136240 A1* 5/2013 Causape
Rodriguez A61B 6/4405
378/198
2016/0120489 A1* 5/2016 Yang A61B 6/4405
378/62

(73) Assignee: **SHANGHAI UNITED IMAGING HEALTHCARE CO., LTD.**, Shanghai (CN)

* cited by examiner
Primary Examiner — Anhdao Doan
(74) *Attorney, Agent, or Firm* — Muncy, Geissler, Olds & Lowe, P.C.

(**) Term: **15 Years**

(21) Appl. No.: **29/540,476**

(22) Filed: **Sep. 24, 2015**

(30) **Foreign Application Priority Data**

May 11, 2015 (CN) 2015 3 0135666

(51) **LOC (10) Cl.** **24-01**

(52) **U.S. Cl.**
USPC **D24/158**

(58) **Field of Classification Search**
USPC D24/158-161, 185, 186, 107, 183, 184
CPC .. A61B 6/035; A61B 6/4405; A61B 6/4411;
A61B 6/4429; A61B 6/4435; A61B 6/4441;
A61B 6/4447; A61B 6/484
See application file for complete search history.

(56) **References Cited**

U.S. PATENT DOCUMENTS

D617,906 S * 6/2010 Nakahara D24/158
D657,875 S * 4/2012 Yanase D24/158

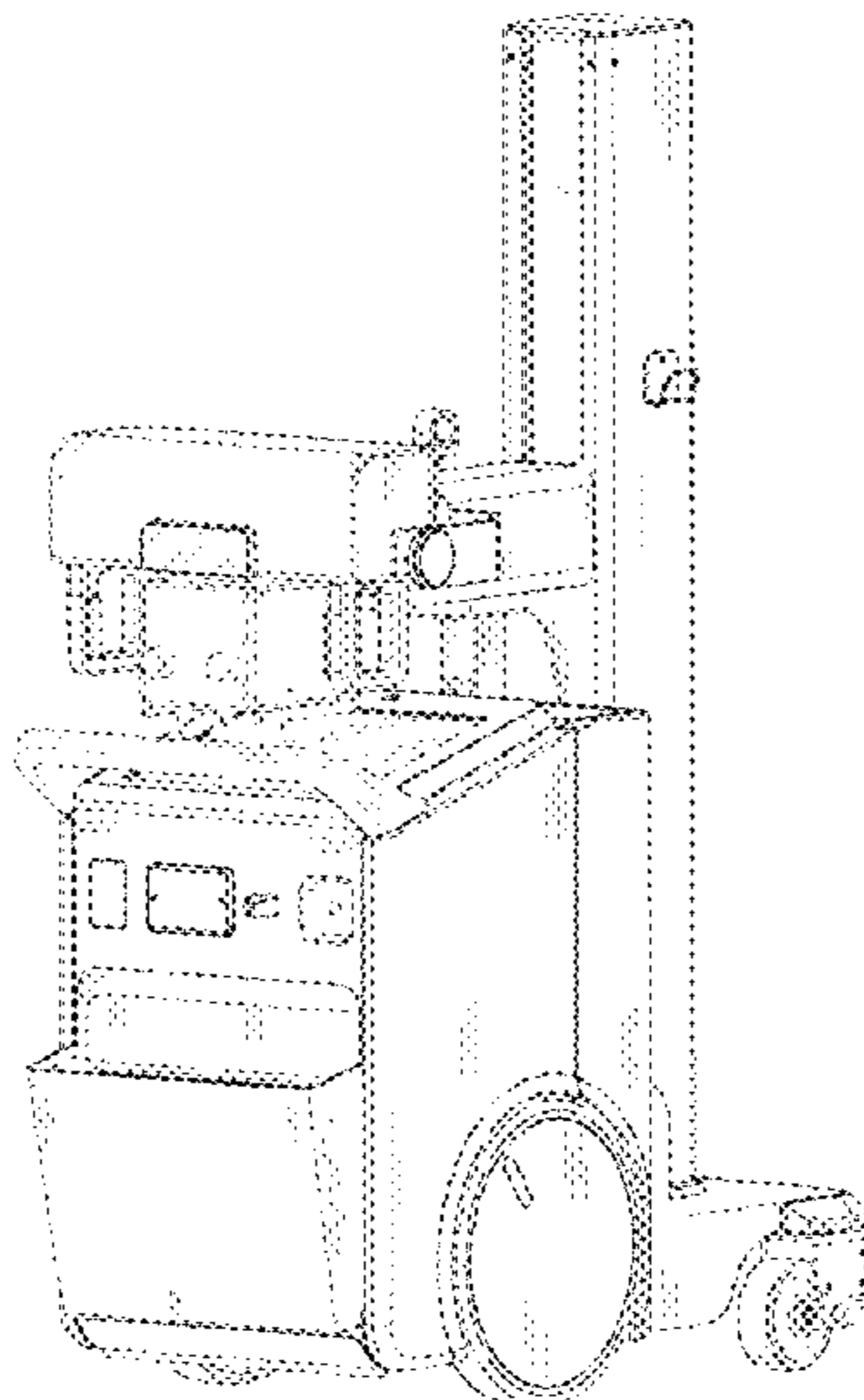
(57) **CLAIM**

The ornamental design for a mobile x-ray digital imaging apparatus, as shown and described.

DESCRIPTION

FIG. 1 is a front perspective view of a mobile x-ray digital imaging apparatus showing our new design;
FIG. 2 is a rear perspective view thereof;
FIG. 3 is a front elevational view thereof;
FIG. 4 is a rear elevational view thereof;
FIG. 5 is a left side view thereof;
FIG. 6 is a right side view thereof;
FIG. 7 is a top plan view thereof; and,
FIG. 8 is bottom plan view thereof.
The broken lines in the drawings illustrate portions of the mobile x-ray that form no part of the claimed design.

1 Claim, 8 Drawing Sheets



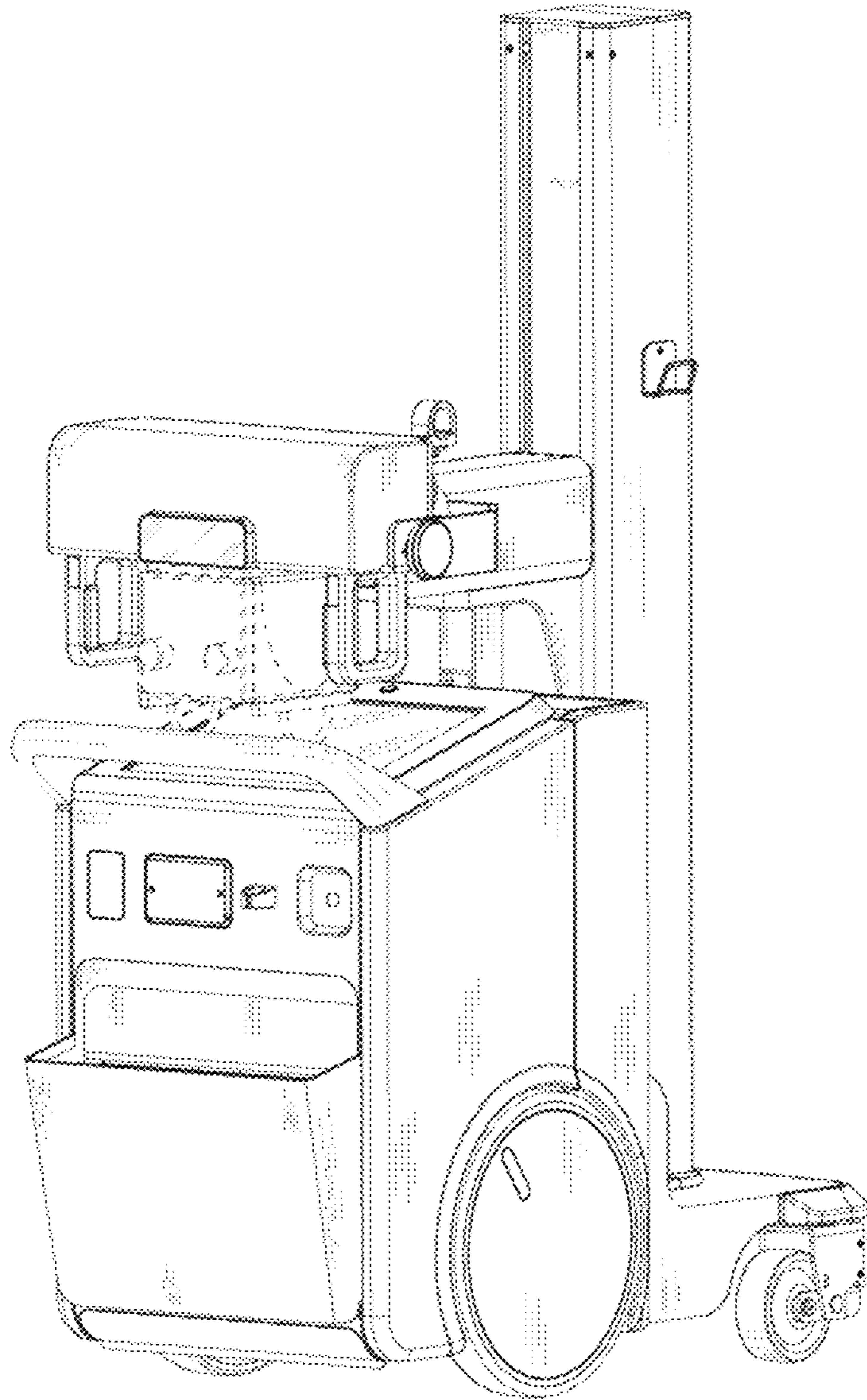


FIG. 1

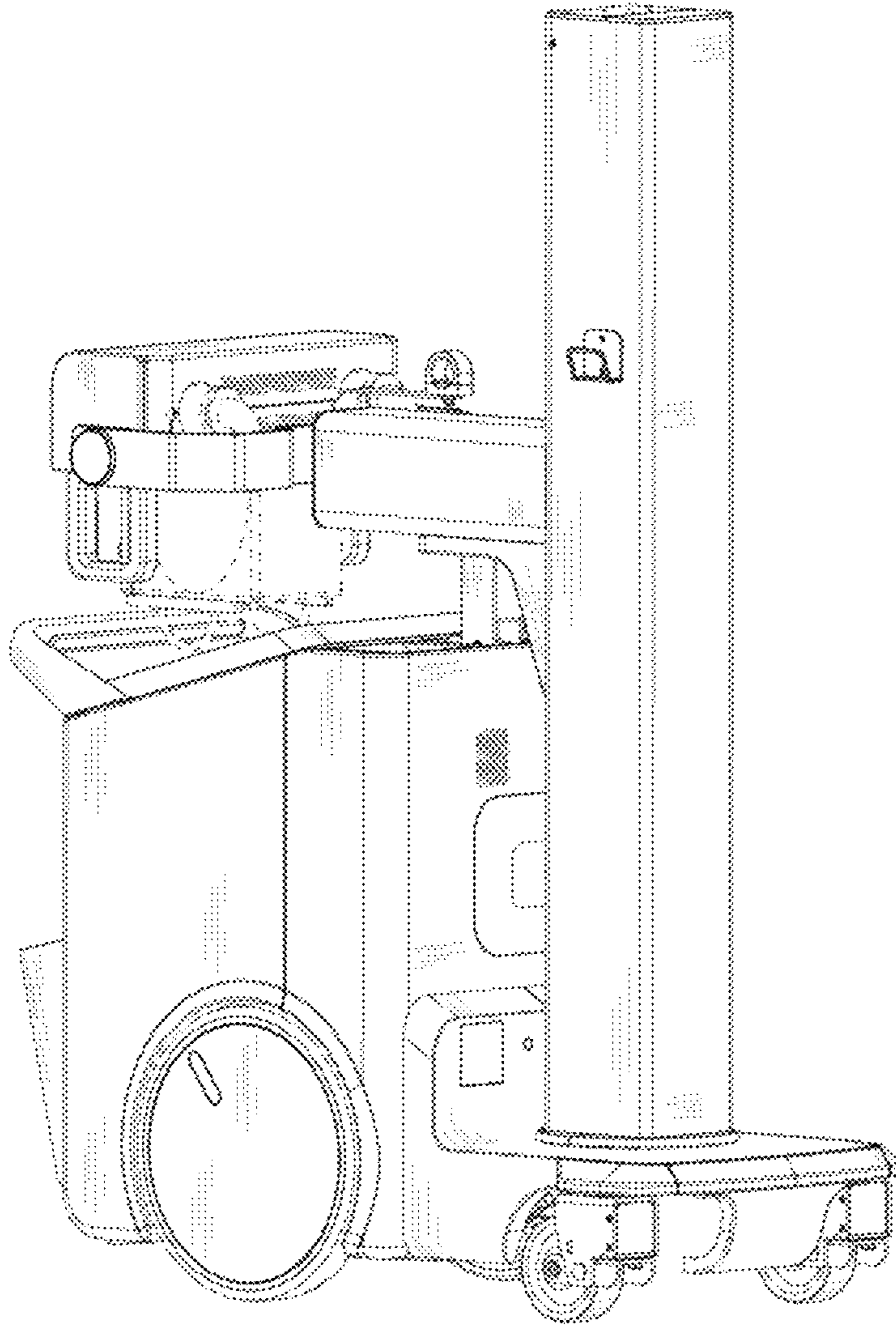


FIG. 2

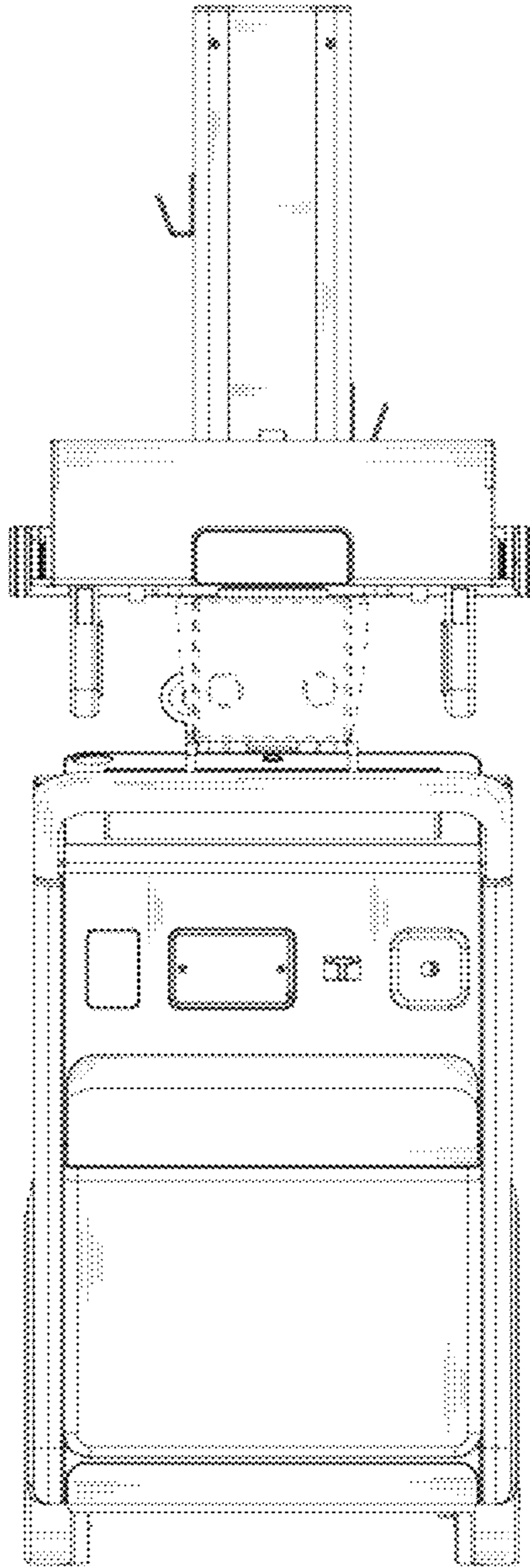


FIG. 3

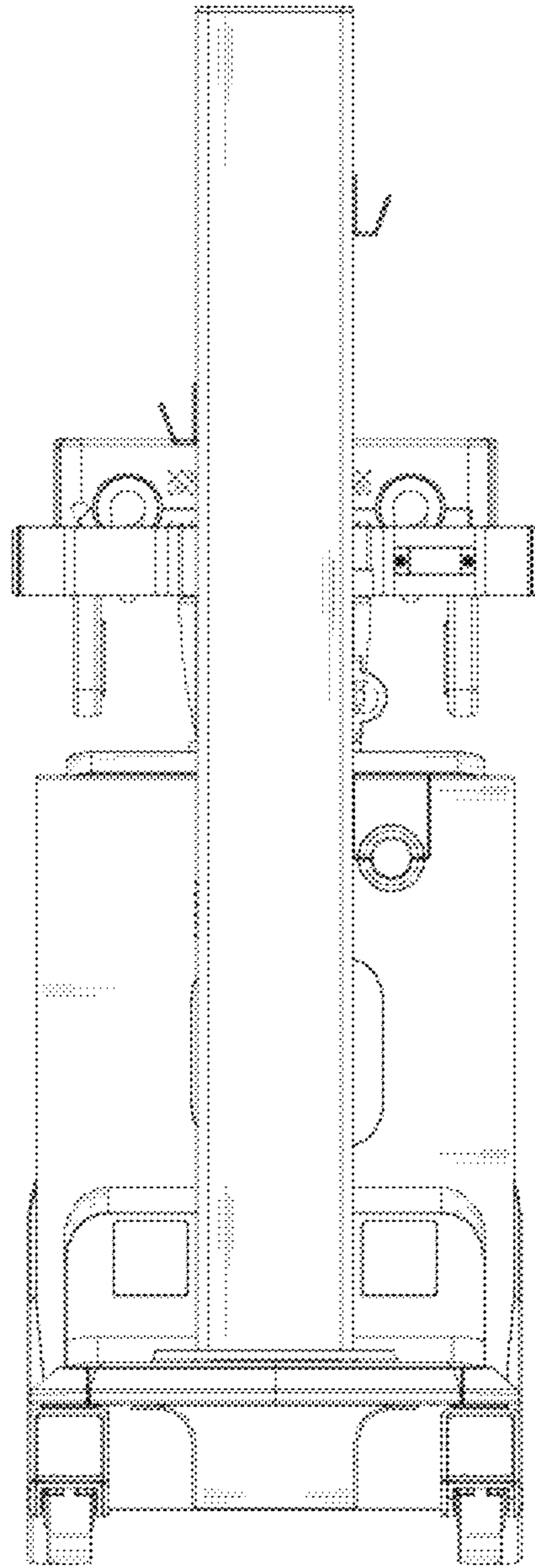


FIG. 4

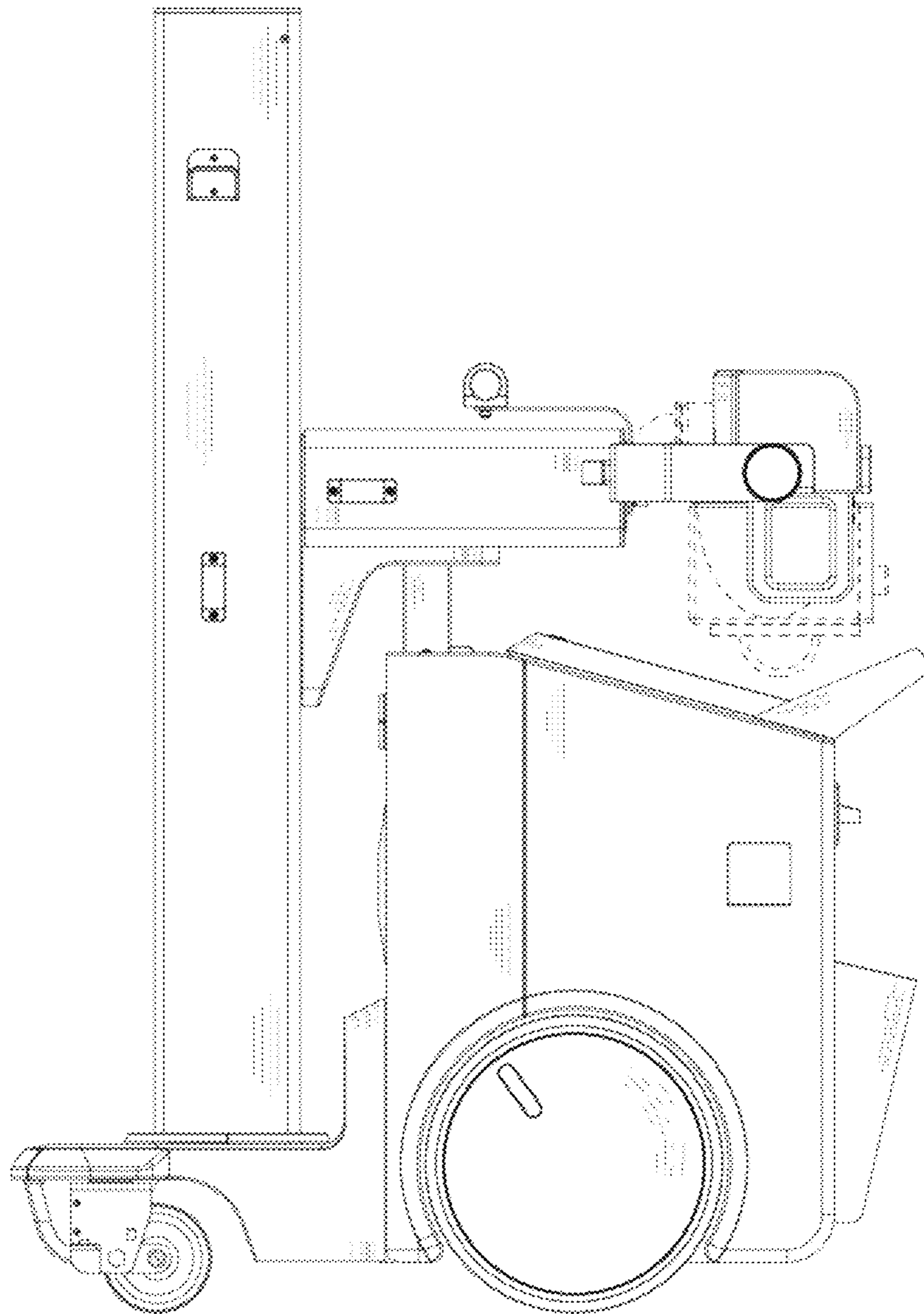


FIG. 5

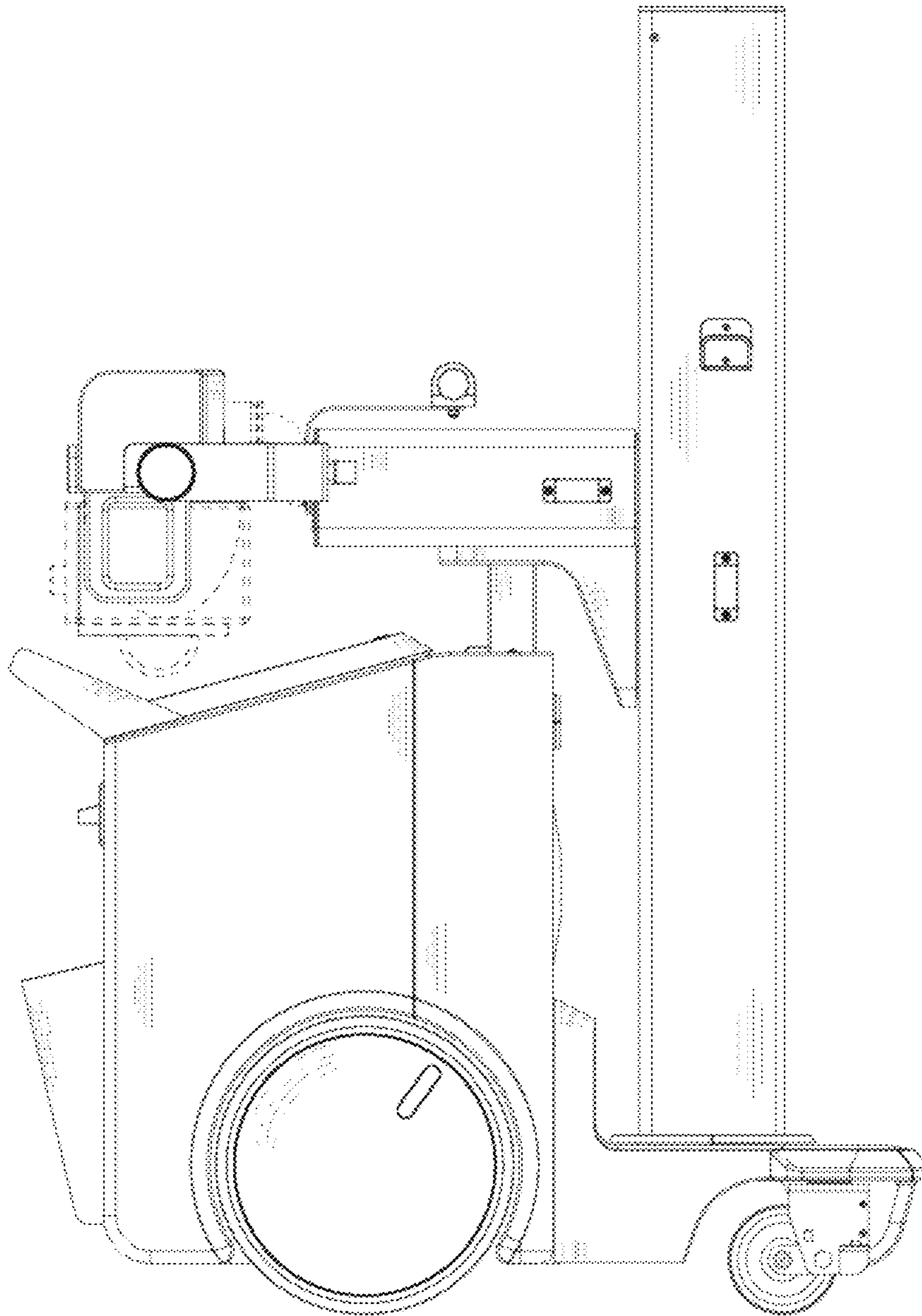


FIG. 6

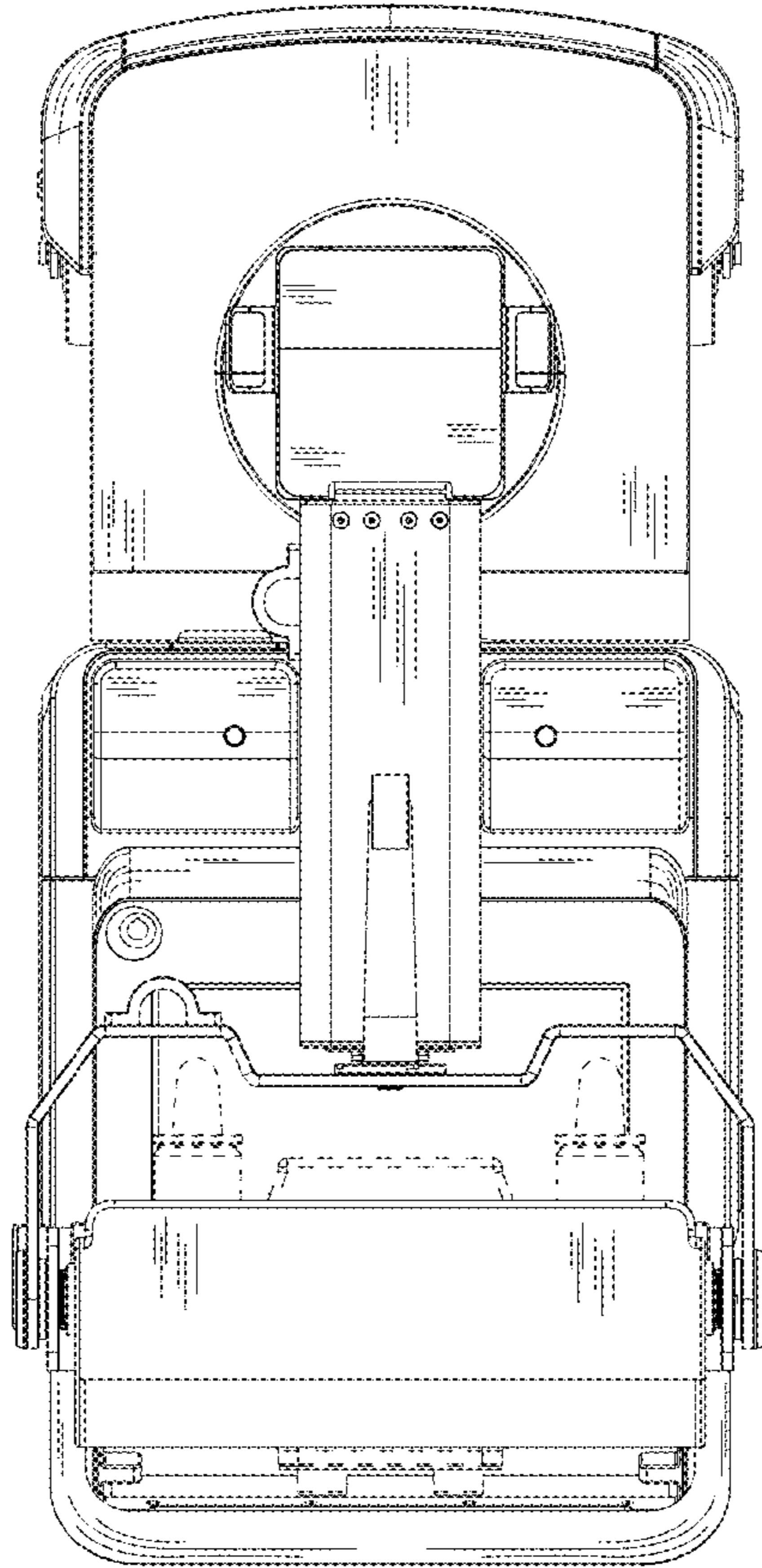


FIG. 7

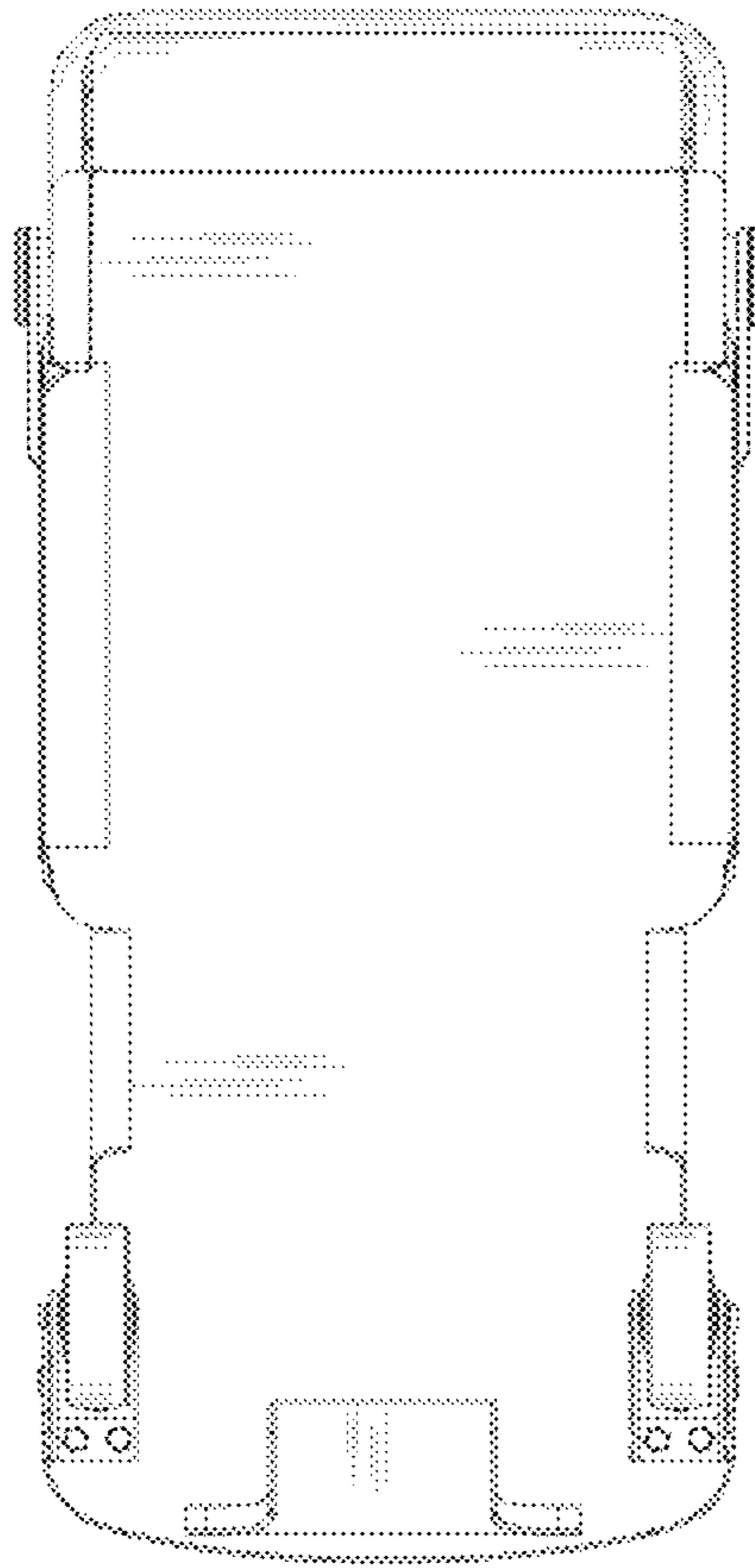


FIG. 8