



US00D769445S

(12) **United States Design Patent**
Menn

(10) **Patent No.:** **US D769,445 S**

(45) **Date of Patent:** **** Oct. 18, 2016**

(54) **SURGICAL CLIP**

(71) Applicant: **CONMED Corporation**, Utica, NY
(US)

(72) Inventor: **Pavel Menn**, Marblehead, MA (US)

(73) Assignee: **CONMED Corporation**, Utica, NY
(US)

(**) Term: **15 Years**

(21) Appl. No.: **29/542,742**

(22) Filed: **Oct. 16, 2015**

Related U.S. Application Data

(60) Division of application No. 29/485,290, filed on Mar. 18, 2014, now Pat. No. Des. 744,647, which is a continuation of application No. 13/045,519, filed on Mar. 10, 2011.

(51) **LOC (10) Cl.** **24-02**

(52) **U.S. Cl.**
USPC **D24/145**

(58) **Field of Classification Search**
USPC D24/143, 145
CPC A61B 17/122; A61B 17/1285; A61B 17/128; A61B 17/1225; A61B 17/0487; A61B 17/08; A61B 17/083
See application file for complete search history.

(56) **References Cited**

U.S. PATENT DOCUMENTS

4,976,722 A * 12/1990 Failla A61B 17/122
606/151
5,201,746 A * 4/1993 Shichman A61B 17/122
227/902

5,626,592 A * 5/1997 Phillips A61B 17/122
606/151
5,713,911 A * 2/1998 Racenet A61B 17/1285
606/151
D572,363 S * 7/2008 Menn D24/145
7,699,860 B2 * 4/2010 Huitema A61B 17/083
606/158
2005/0273122 A1 * 12/2005 Theroux A61B 17/122
606/157
2007/0173866 A1 * 7/2007 Sorrentino A61B 17/122
606/151
2011/0224701 A1 * 9/2011 Menn A61B 17/122
606/151
2011/0295290 A1 * 12/2011 Whitfield A61B 17/122
606/158
2014/0171986 A1 * 6/2014 Shelton, IV A61B 17/122
606/157

* cited by examiner

Primary Examiner — Wan Laymon

(74) *Attorney, Agent, or Firm* — Cooley LLP

(57) **CLAIM**

The ornamental design for a surgical clip, as shown and described.

DESCRIPTION

FIG. 1 is a perspective view of a surgical clip;
FIG. 2 is a right side view thereof;
FIG. 3 is a left side view thereof;
FIG. 4 is a front view thereof;
FIG. 5 is a top view thereof; and,
FIG. 6 is an enlarged perspective view of a portion thereof shown by region 6 in FIG. 1.
The dashed-dot-dashed lines represent the boundary lines of the claimed design. The even dashed broken lines shown in the drawings represent portions of the surgical clip that form no part of the claimed design.

1 Claim, 5 Drawing Sheets

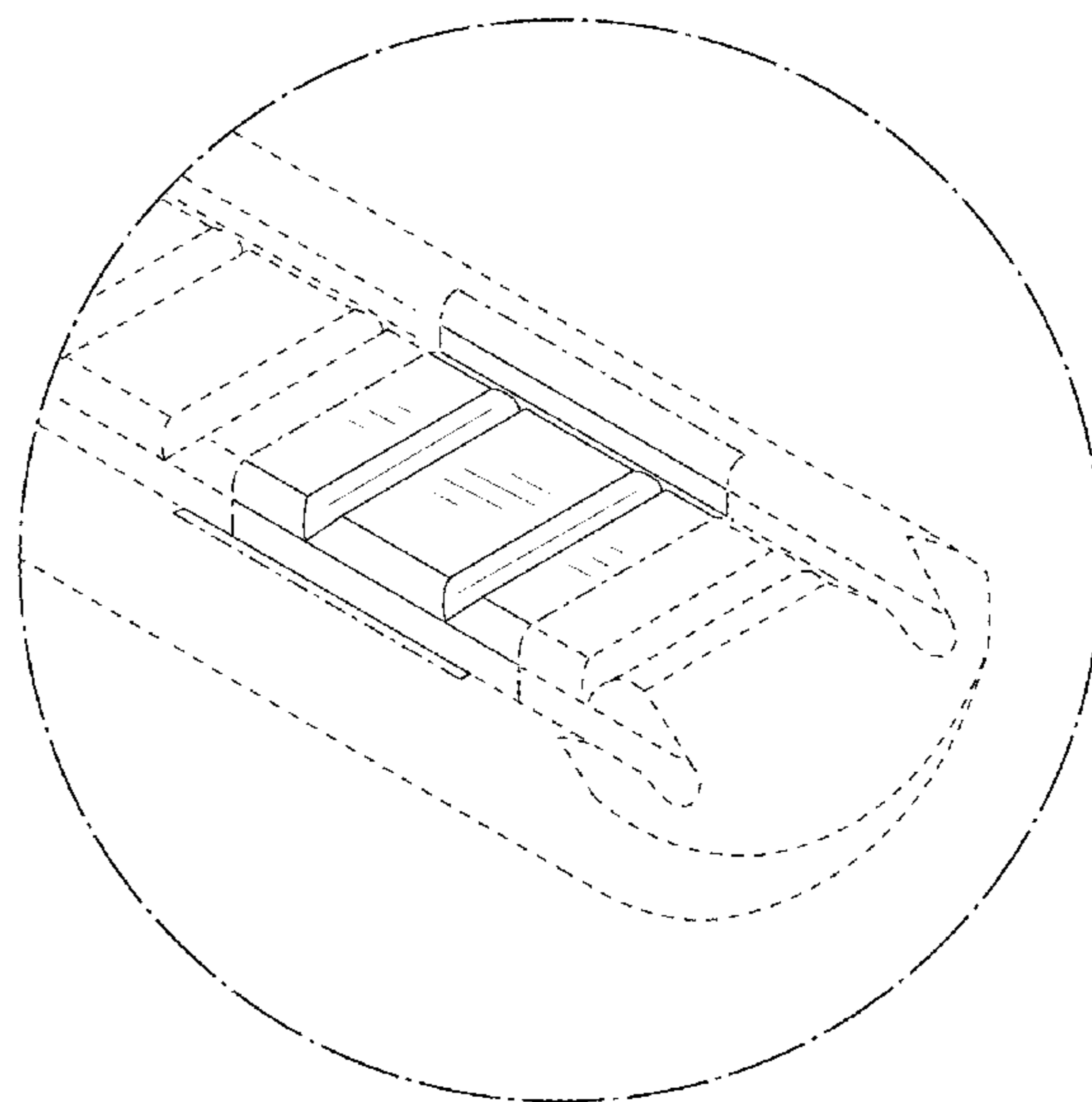
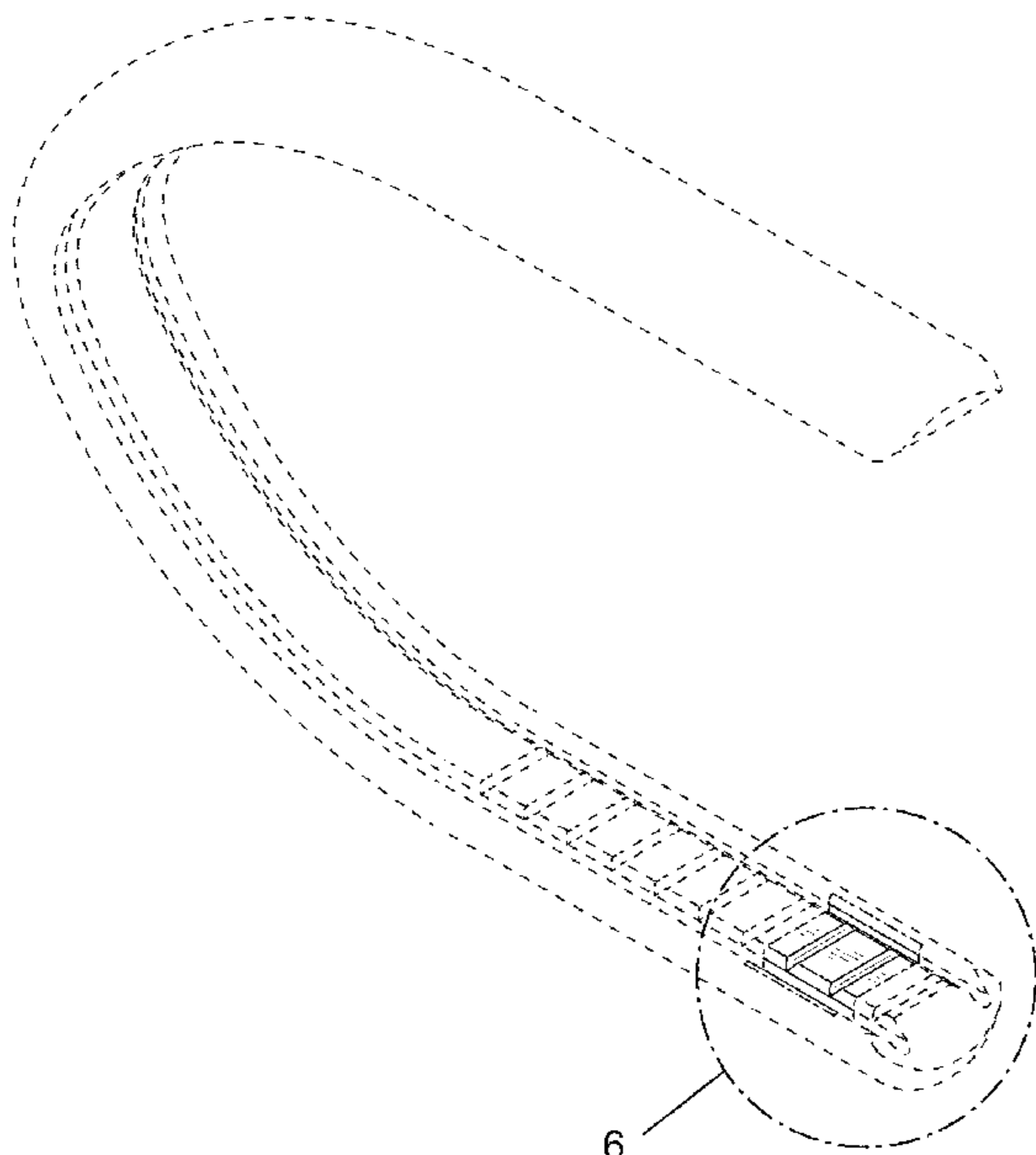


FIG. 1

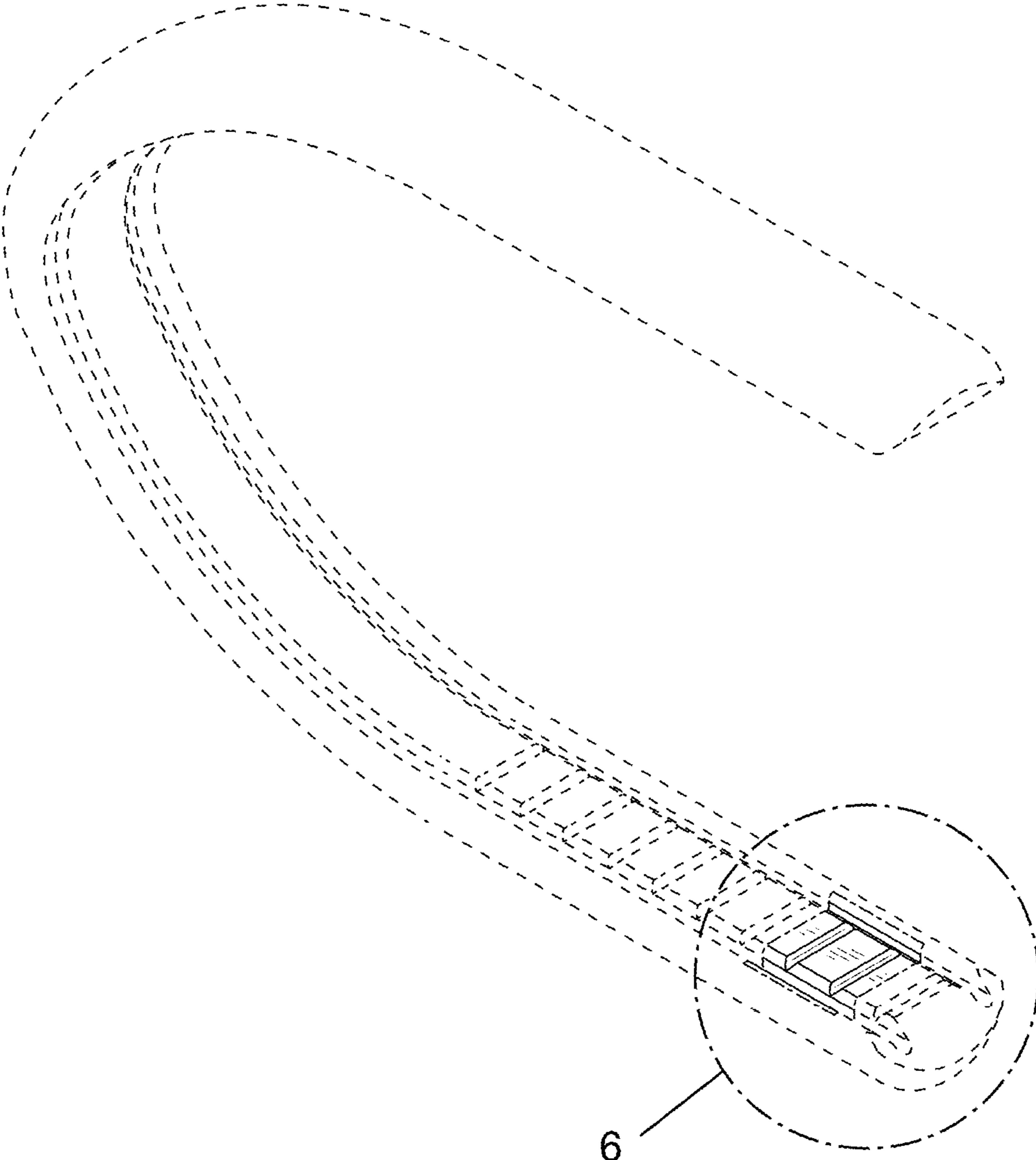


FIG. 2

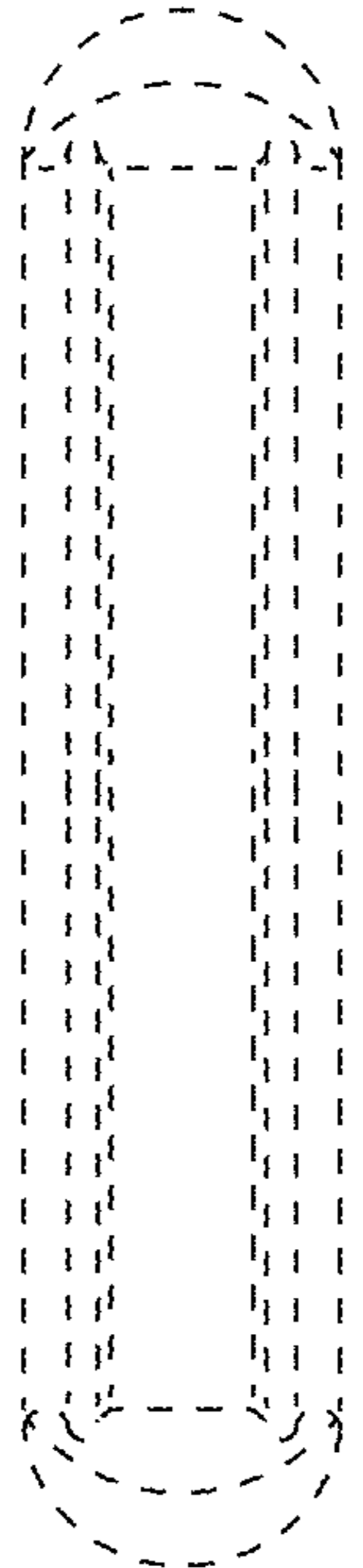


FIG. 3

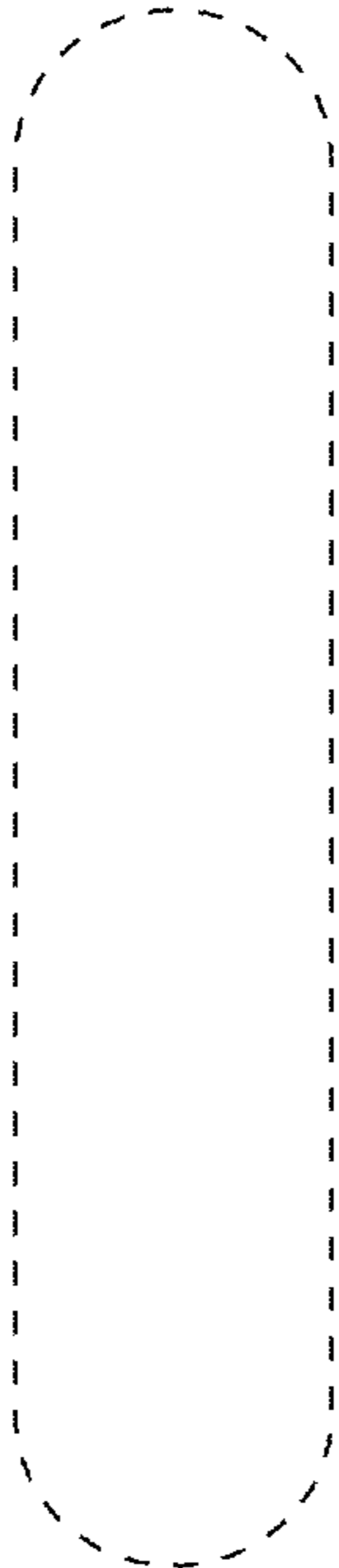


FIG. 4

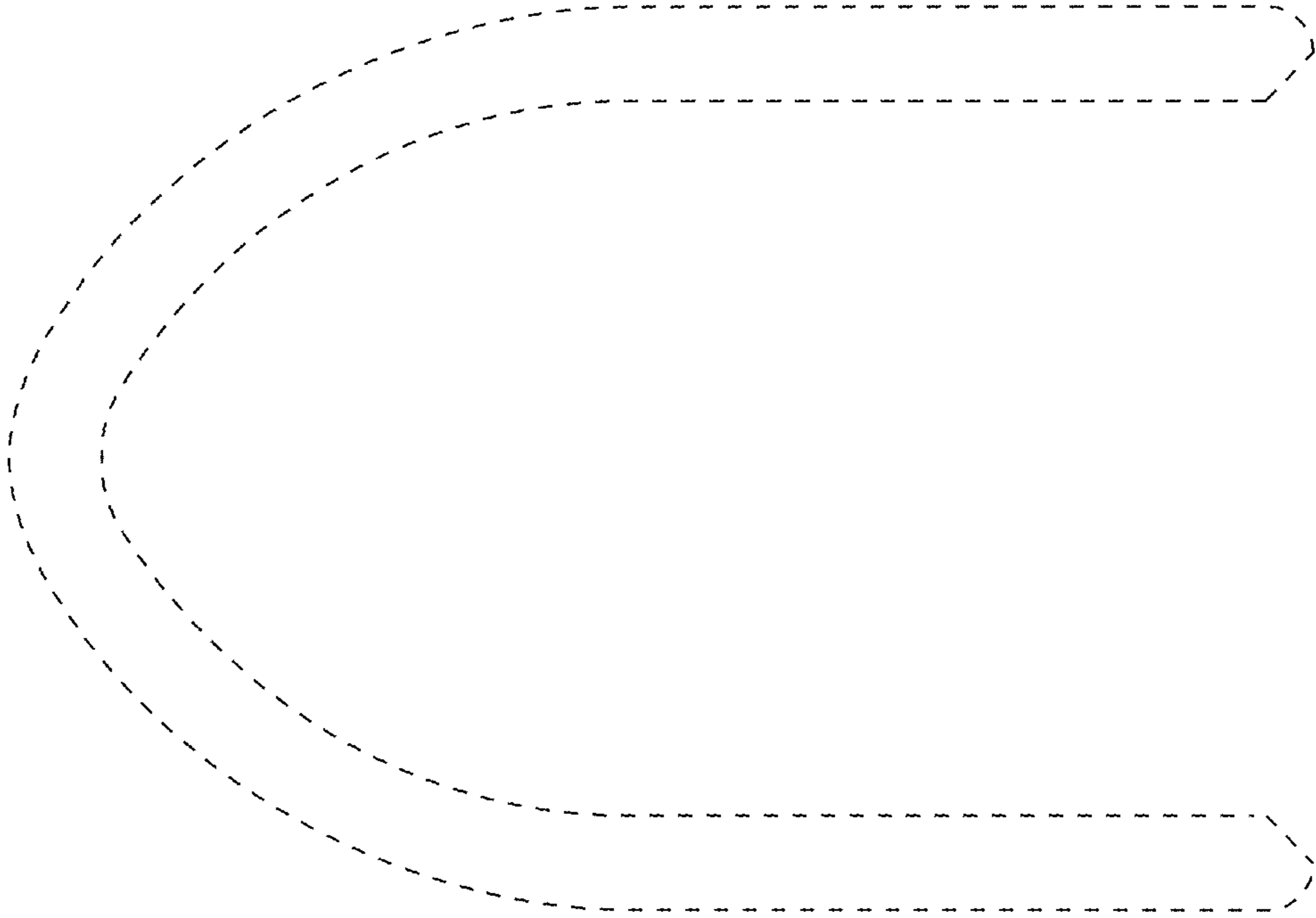


FIG. 5



FIG. 6

