



US00D769443S

(12) **United States Design Patent** (10) **Patent No.:** **US D769,443 S**
Held (45) **Date of Patent:** **** Oct. 18, 2016**

(54) **HANDHELD DEVICE FOR DISPENSING DOSAGES**

(71) Applicant: **Mettler-Toledo AG**, Greifensee (CH)

(72) Inventor: **Fred Held**, Hamburg (DE)

(73) Assignee: **Mettler-Toledo GmbH**, Greifensee (CH)

(**) Term: **14 Years**

(21) Appl. No.: **29/482,968**

(22) Filed: **Feb. 24, 2014**

(30) **Foreign Application Priority Data**

Aug. 28, 2013 (EM) 002298539

(51) **LOC (10) Cl.** **24-02**

(52) **U.S. Cl.**
USPC **D24/113**

(58) **Field of Classification Search**
USPC D24/112-114, 108, 133, 130, 127, 186;
606/181, 185; 604/264, 272, 187, 181,
604/184, 227; D6/512, 542-545; 436/58
CPC G01T 1/11; G01T 1/026; G01T 1/04;
G01T 1/02; G01T 1/10
See application file for complete search history.

(56) **References Cited**

U.S. PATENT DOCUMENTS

D300,193 S * 3/1989 Vignot D6/545
D426,094 S * 6/2000 Carlson D6/545

D512,863 S * 12/2005 Bowes et al. D6/545
D524,444 S * 7/2006 Tomioka et al. D24/186
D579,250 S * 10/2008 Cittadino et al. D6/545
D601,257 S * 9/2009 Berlinger et al. D24/169
D628,419 S * 12/2010 Petrucelli et al. D6/542
D637,848 S * 5/2011 Kramer et al. D6/545
D680,781 S * 4/2013 Marshall D6/545
D707,979 S * 7/2014 Hagleitner D6/545
D715,576 S * 10/2014 Hagleitner D6/545
D724,861 S * 3/2015 Gottschalk D6/545
2007/0045546 A1 * 3/2007 Hsi et al. 250/361 R

* cited by examiner

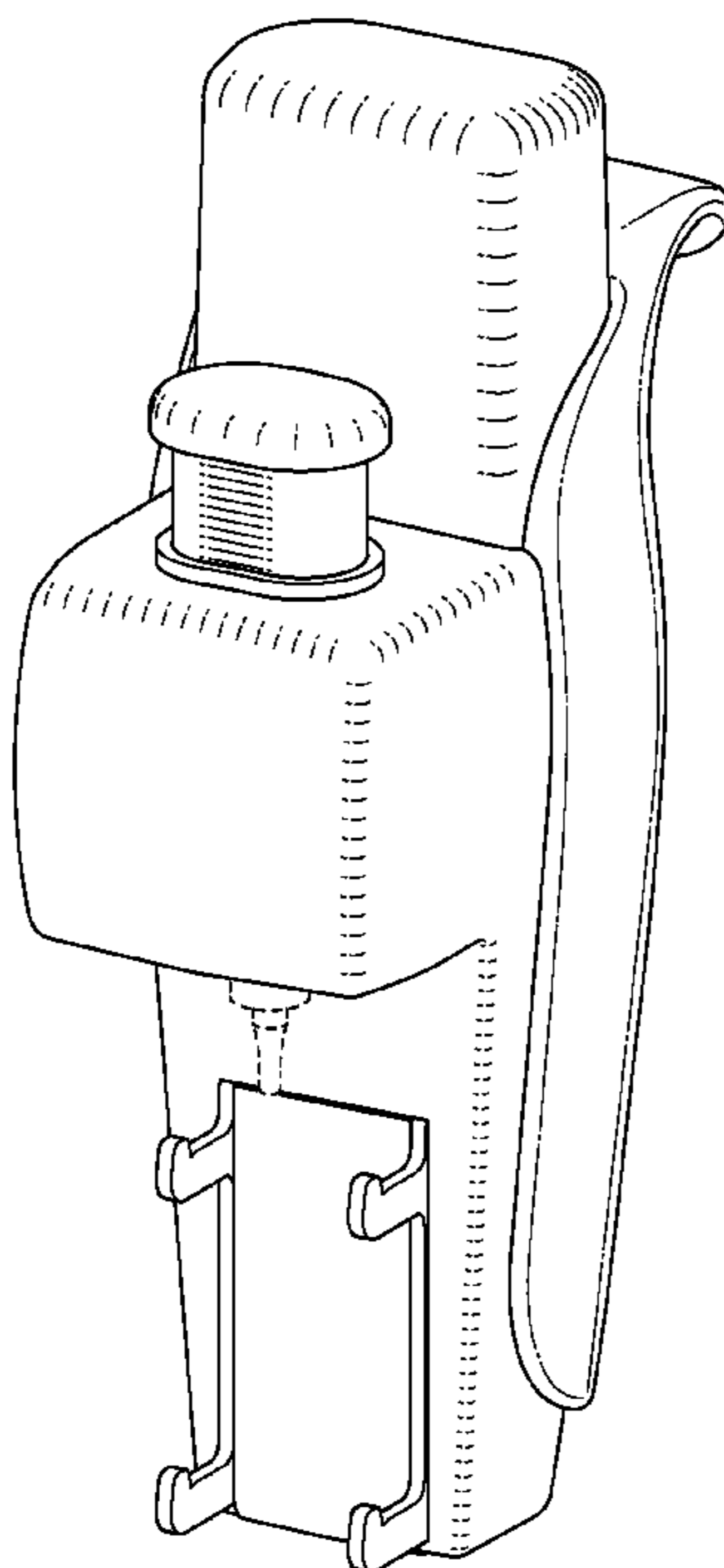
Primary Examiner — David Muller
Assistant Examiner — Nathan Johnston
(74) *Attorney, Agent, or Firm* — Standley Law Group LLP

(57) **CLAIM**
The ornamental design for a handheld device for dispensing dosages, as shown and described.

DESCRIPTION

FIG. 1 is a front perspective view of the handheld device for dispensing dosages;
FIG. 2 is a rear elevation view thereof;
FIG. 3 is a left side elevation view thereof;
FIG. 4 is a front elevation view thereof;
FIG. 5 is a right side elevation view thereof;
FIG. 6 is a bottom plan view thereof; and,
FIG. 7 is a top plan view thereof.
The broken lines are shown for environmental purposes only and form no part of the claimed design.

1 Claim, 7 Drawing Sheets



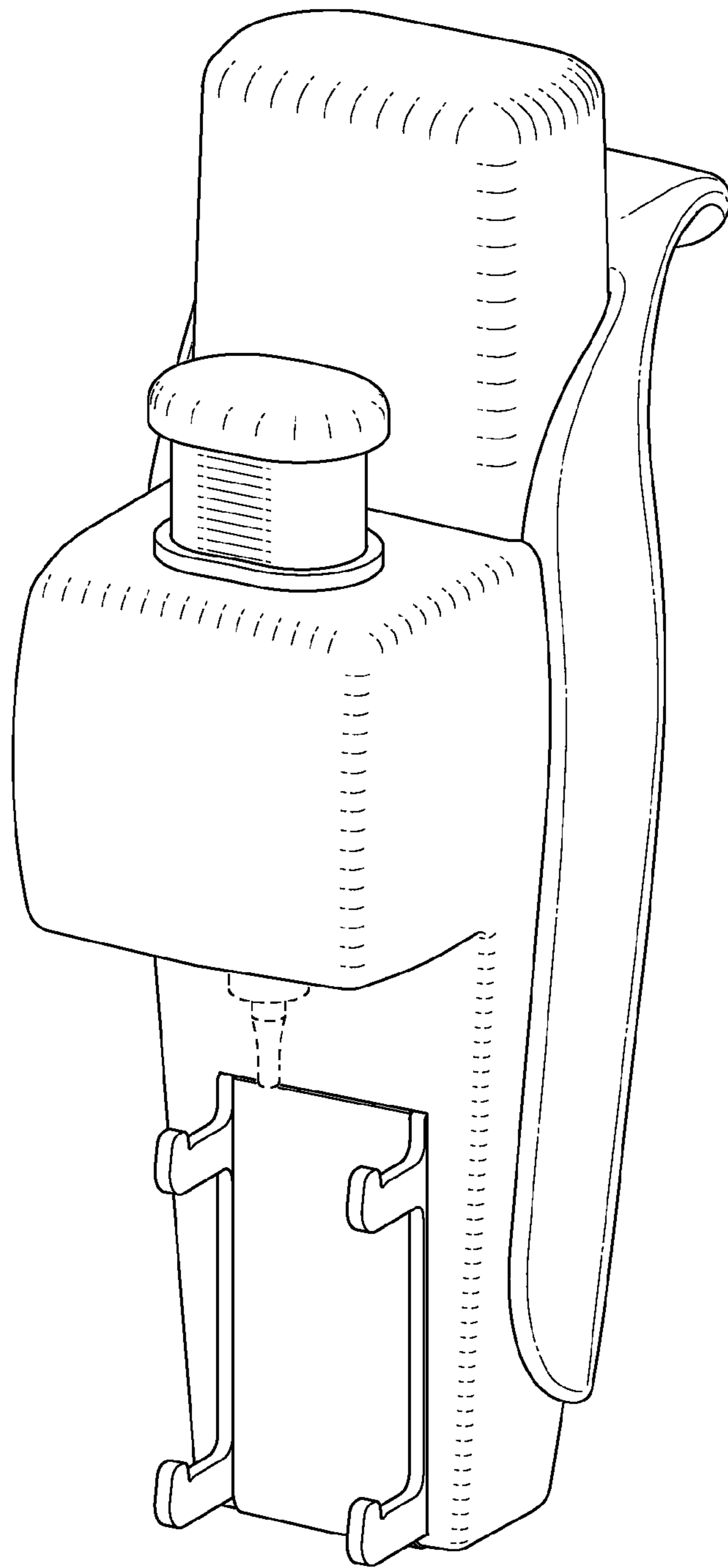


Fig. 1

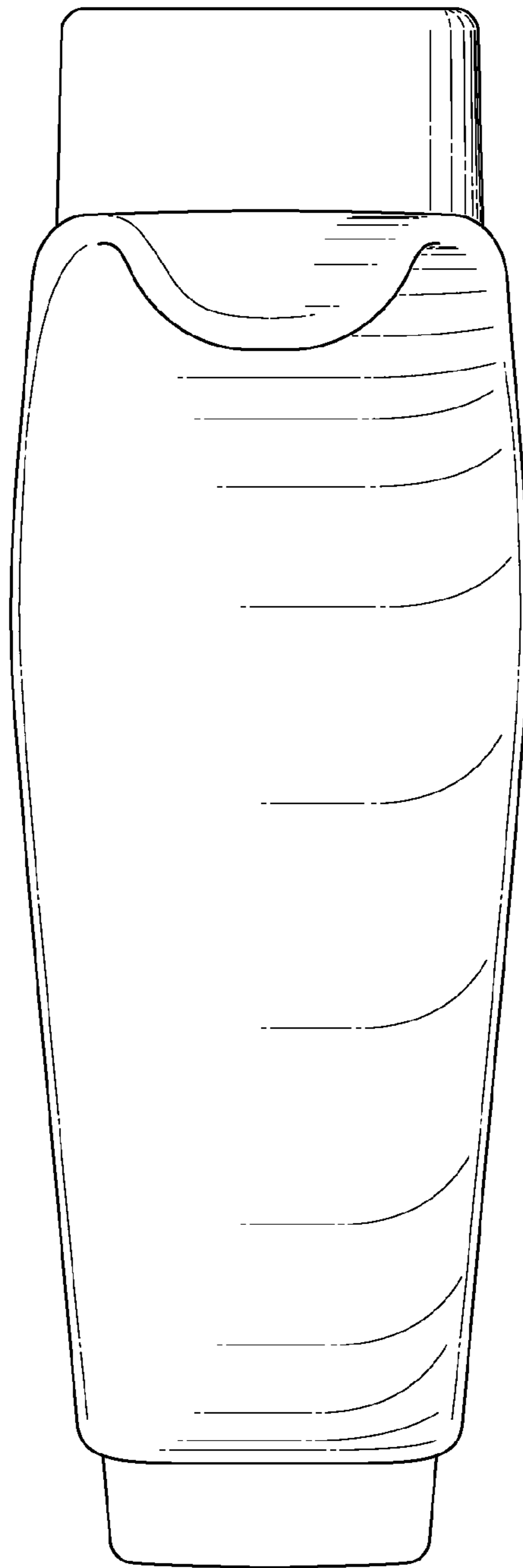


Fig. 2

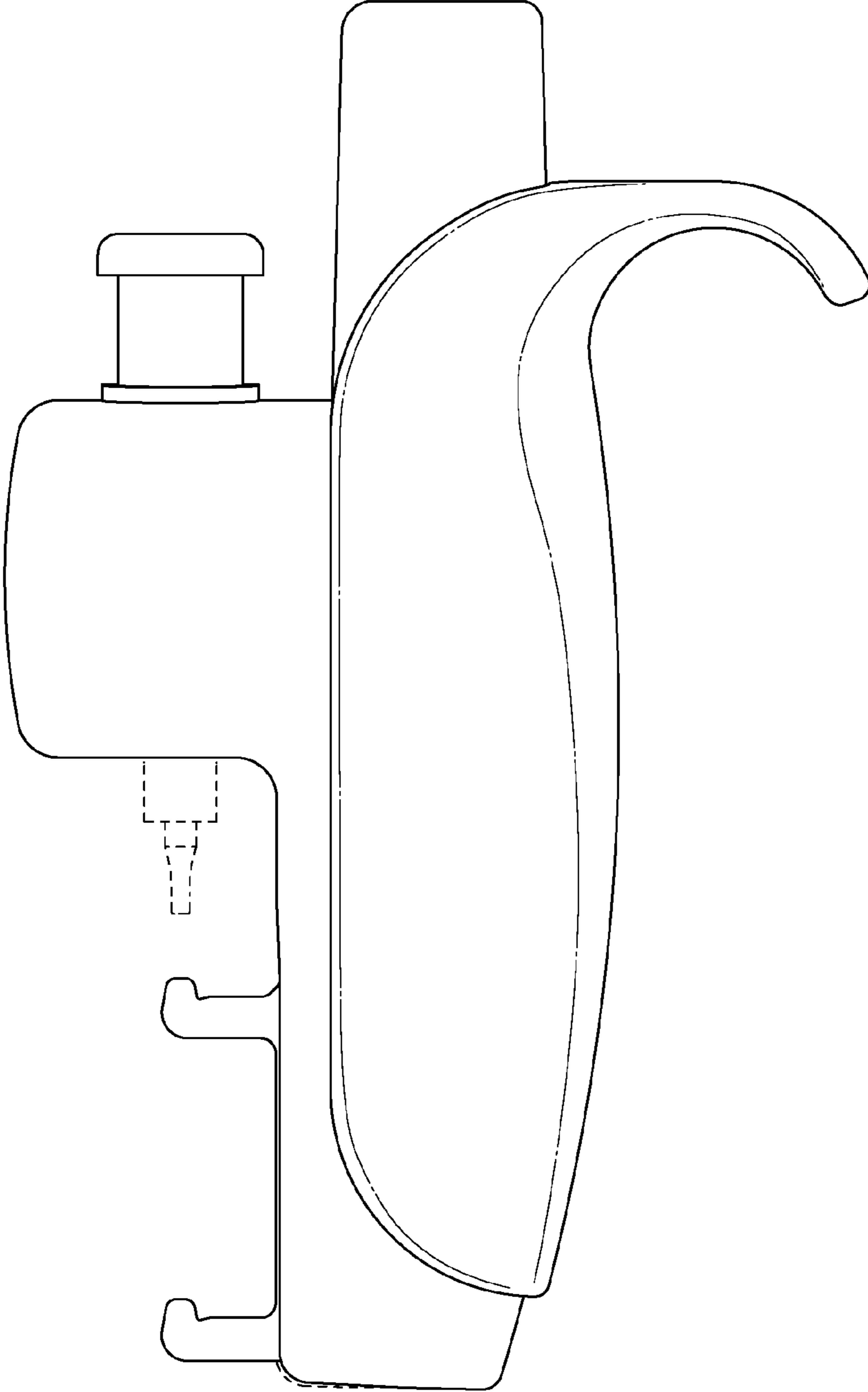


Fig. 3

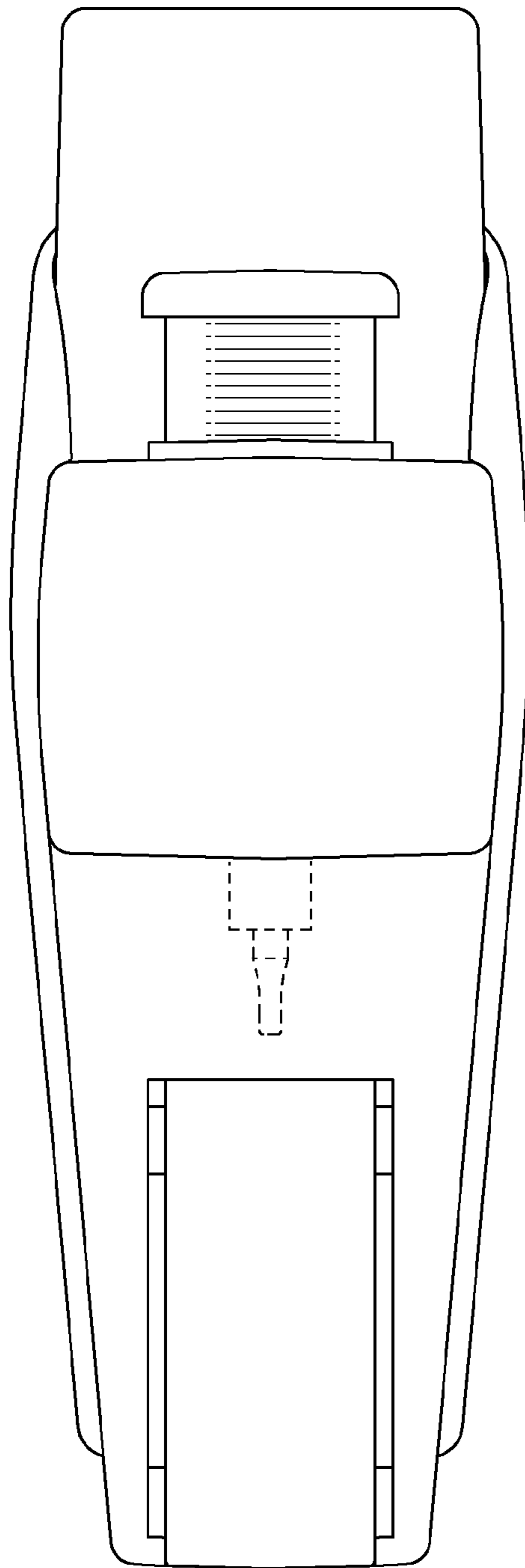


Fig. 4

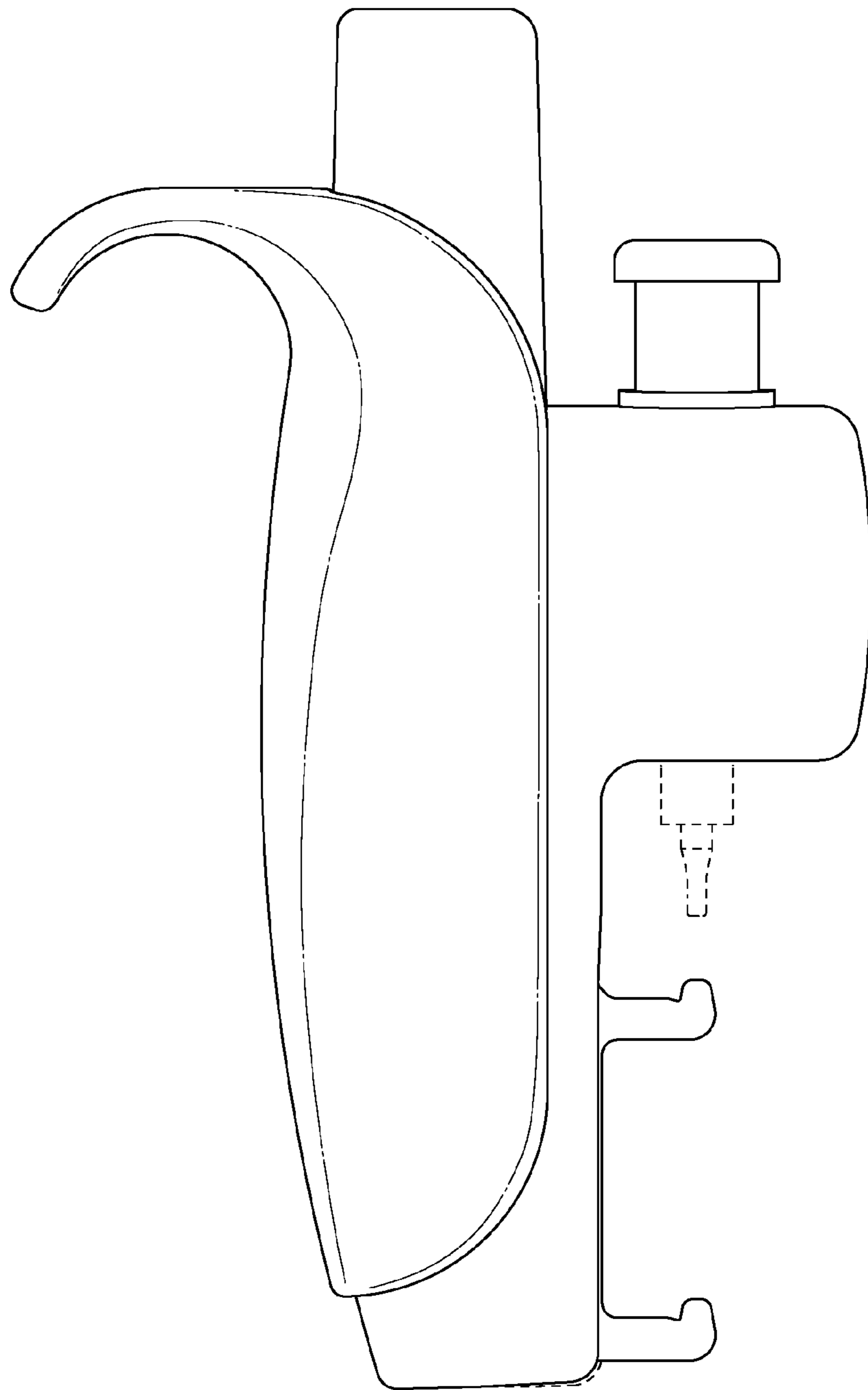


Fig. 5

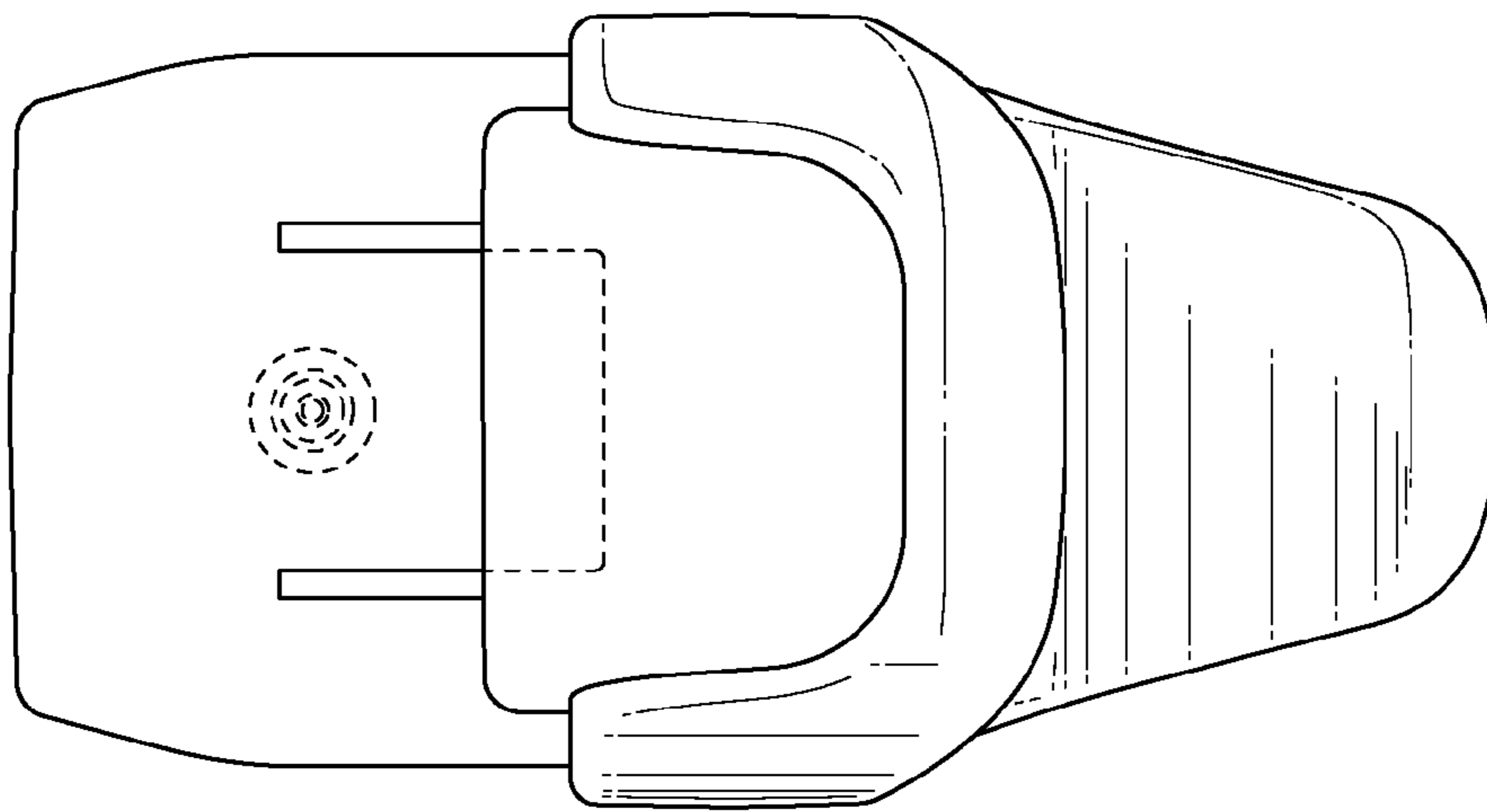


Fig. 6

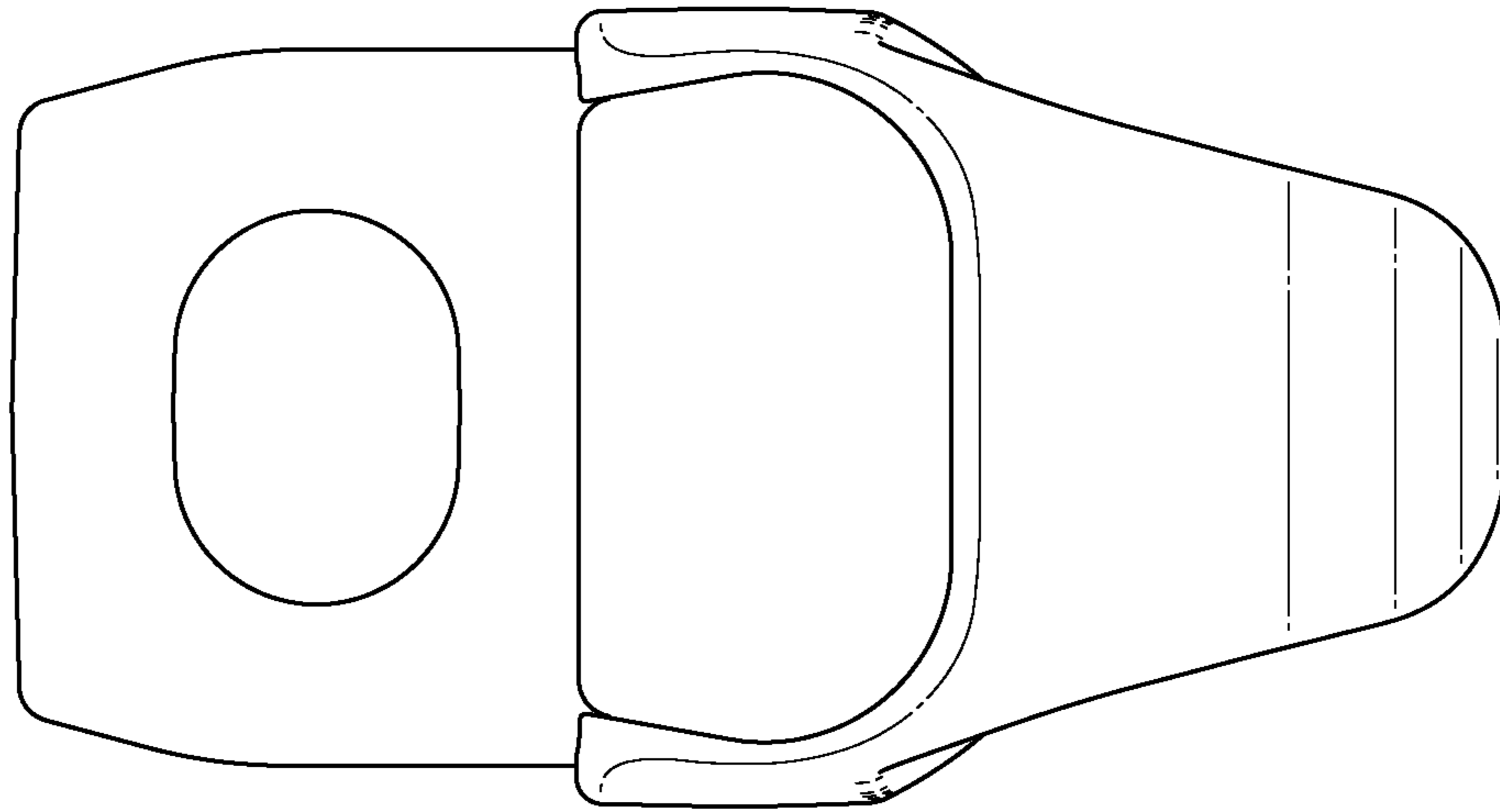


Fig. 7