



US00D769441S

(12) **United States Design Patent** (10) **Patent No.:** **US D769,441 S**
Angert et al. (45) **Date of Patent:** **** Oct. 18, 2016**

(54) **CUSHION FOR A PATIENT INTERFACE DEVICE**

(71) Applicant: **KONINKLIJKE PHILIPS N.V.**,
Eindhoven (NL)
(72) Inventors: **Justin Eric Angert**, Gibsonia, PA (US);
Richard Thomas Haibach, Verona, PA (US); **Lauren Patricia Chodkowski**,
Pittsburgh, PA (US); **Dave Ignaczak**,
New Kensington, PA (US); **Dean Shumaker**,
Central City, PA (US); **Derrick Blake Andrews**,
Markleton, PA (US)

(73) Assignee: **KONINKLIJKE PHILIPS N.V.**,
Eindhoven (NL)

(**) Term: **14 Years**

(21) Appl. No.: **29/512,288**

(22) Filed: **Dec. 18, 2014**

(30) **Foreign Application Priority Data**

Jun. 18, 2014 (EM) 002485151-0002
Jun. 19, 2014 (CN) 2014 3 0191348

(51) **LOC (10) Cl.** **29-02**

(52) **U.S. Cl.**
USPC **D24/110.4**

(58) **Field of Classification Search**
USPC D24/110.1-110.4, 110.6, 127;
D29/105, 107, 108, 110
CPC A62B 18/00; A62B 18/02; A62B 18/025;
A62B 18/08; A62B 18/10; A62B 23/00;
A62B 23/02; A62B 23/025; A62B 23/06;
A41D 13/11; A61M 16/0622; A61M
16/0616; A61M 16/0816; A61M 16/08;
A61M 16/0633; A61M 16/0666; A61M
2210/0618; A61M 16/0683

See application file for complete search history.

(56) **References Cited**

U.S. PATENT DOCUMENTS

6,631,718 B1 * 10/2003 Lovell A61M 16/06
128/206.24
D597,659 S * 8/2009 Chandran D24/110.1
D659,822 S * 5/2012 Matula, Jr. D24/110.1
D689,186 S * 9/2013 McCracken D24/110.1
2006/0124131 A1 * 6/2006 Chandran A61M 16/06
128/206.28
2014/0299134 A1 * 10/2014 Matula A61M 16/06
128/205.25
2014/0326246 A1 * 11/2014 Chodkowski A61M 16/06
128/206.24
2015/0250972 A1 * 9/2015 Haibach A61M 16/0683
128/202.27
2016/0022944 A1 * 1/2016 Chodkowski A61M 16/0616
128/206.24

OTHER PUBLICATIONS

Philips Respironics Amara View Fitting Guide. Philips Respironics.
YouTube. Jun. 3, 2015. <https://www.youtube.com/watch?v=as_SlYwFQTw>.*

* cited by examiner

Primary Examiner — Barbara Fox

Assistant Examiner — Lilyana Bekic

(74) *Attorney, Agent, or Firm* — Michael W. Haas

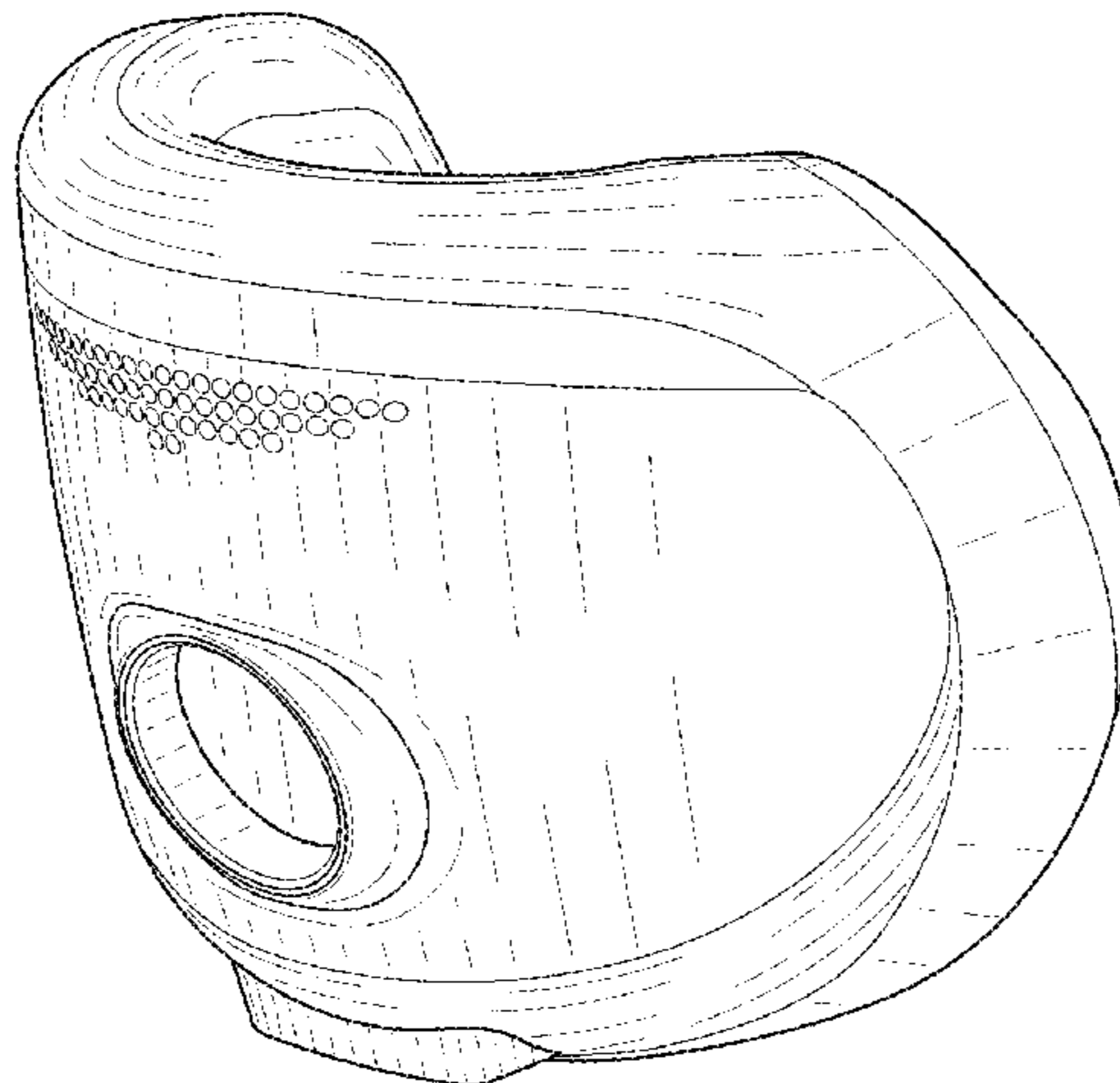
(57) **CLAIM**

We claim the ornamental design for a cushion for a patient interface device, as shown and described.

DESCRIPTION

FIG. 1 is a perspective view of a cushion for a patient interface device showing our design; FIG. 2 is a front elevational view thereof; FIG. 3 is a rear elevational view thereof; FIG. 4 is a right side elevational view thereof; FIG. 5 is a left side elevational view thereof; FIG. 6 is a top plan view thereof; and, FIG. 7 is a bottom plan view thereof. The broken lines in the drawings illustrate portions of the cushion for a patient interface device that form no part of the claimed design.

1 Claim, 4 Drawing Sheets



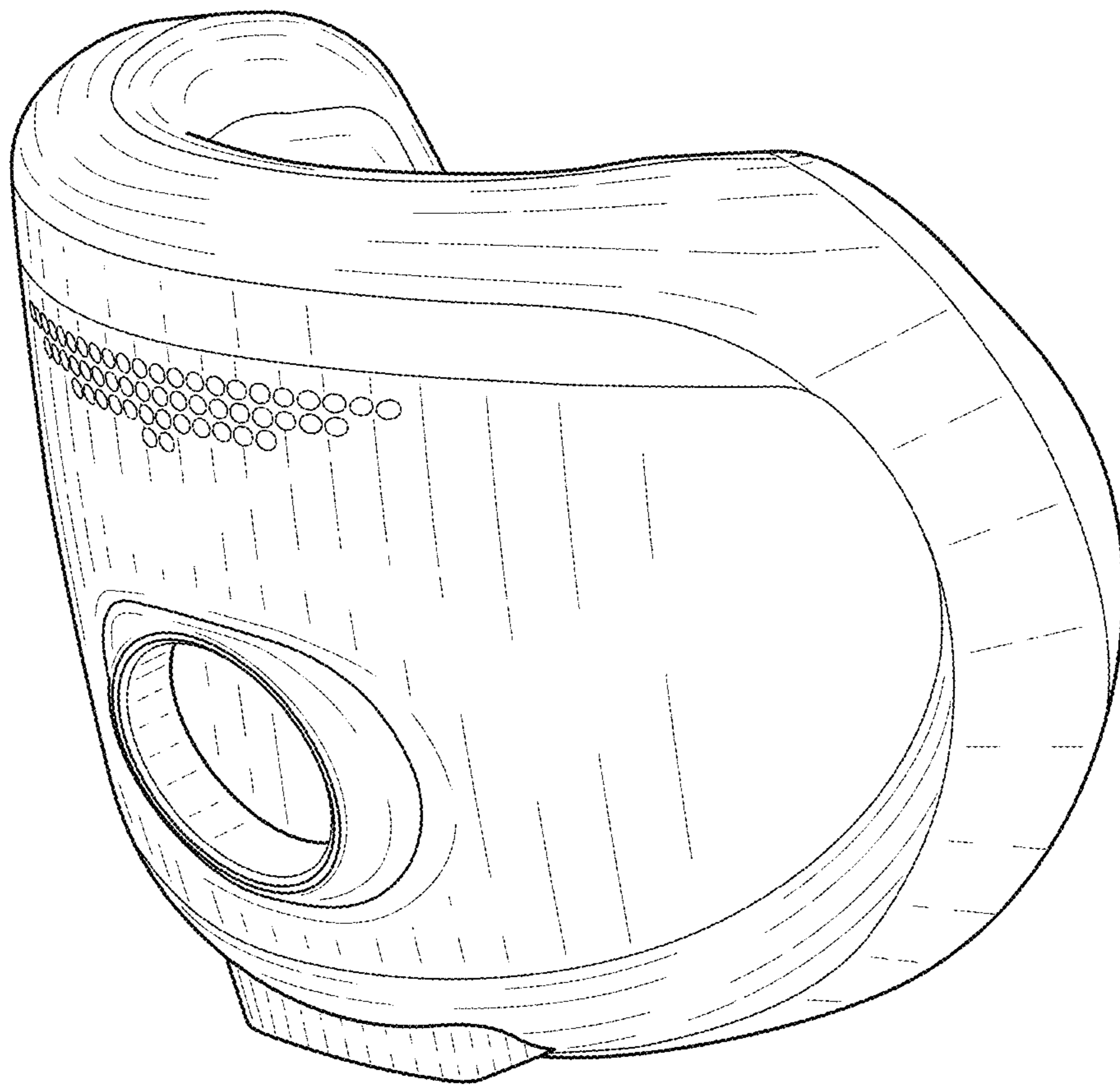


FIG. 1

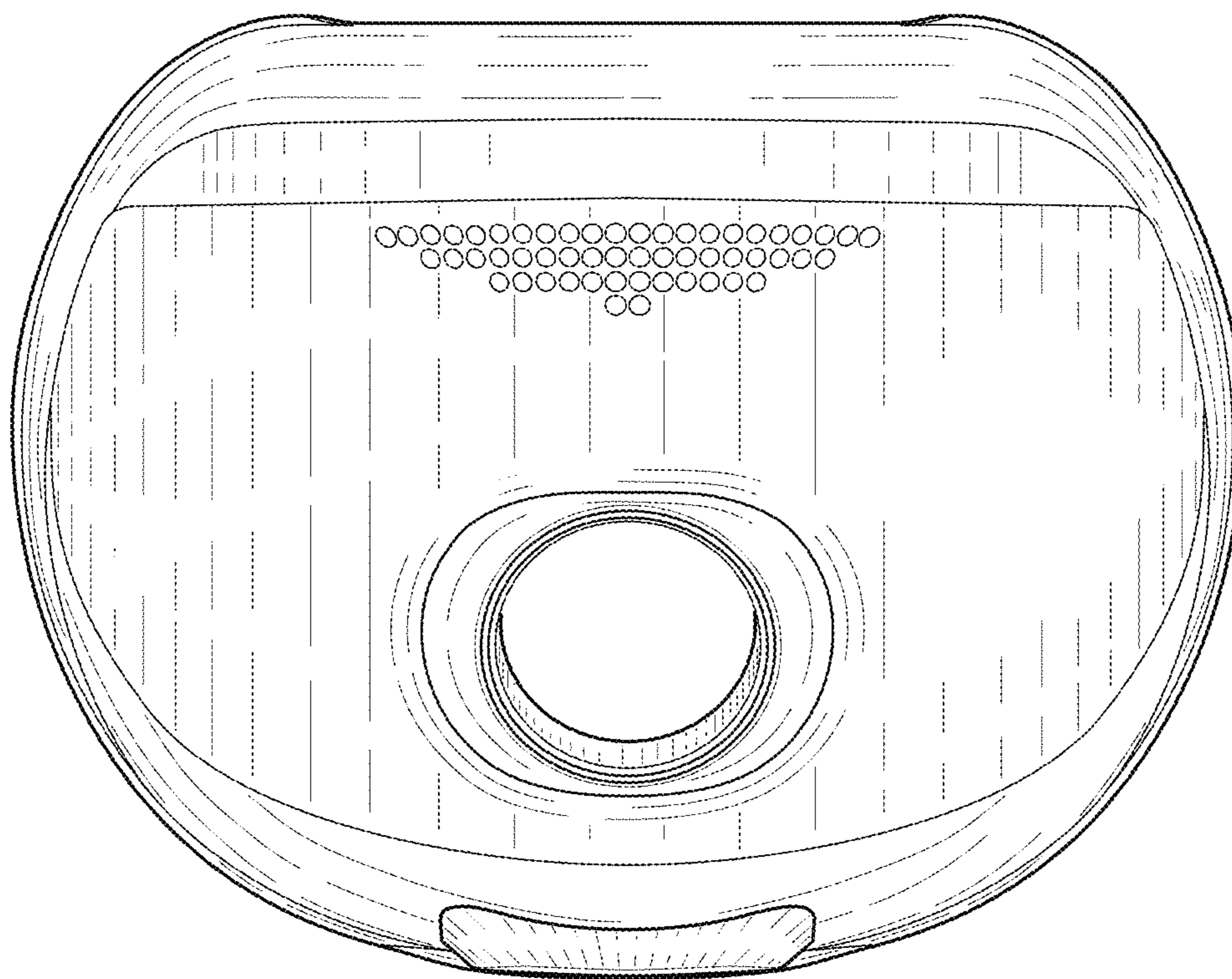


FIG. 2

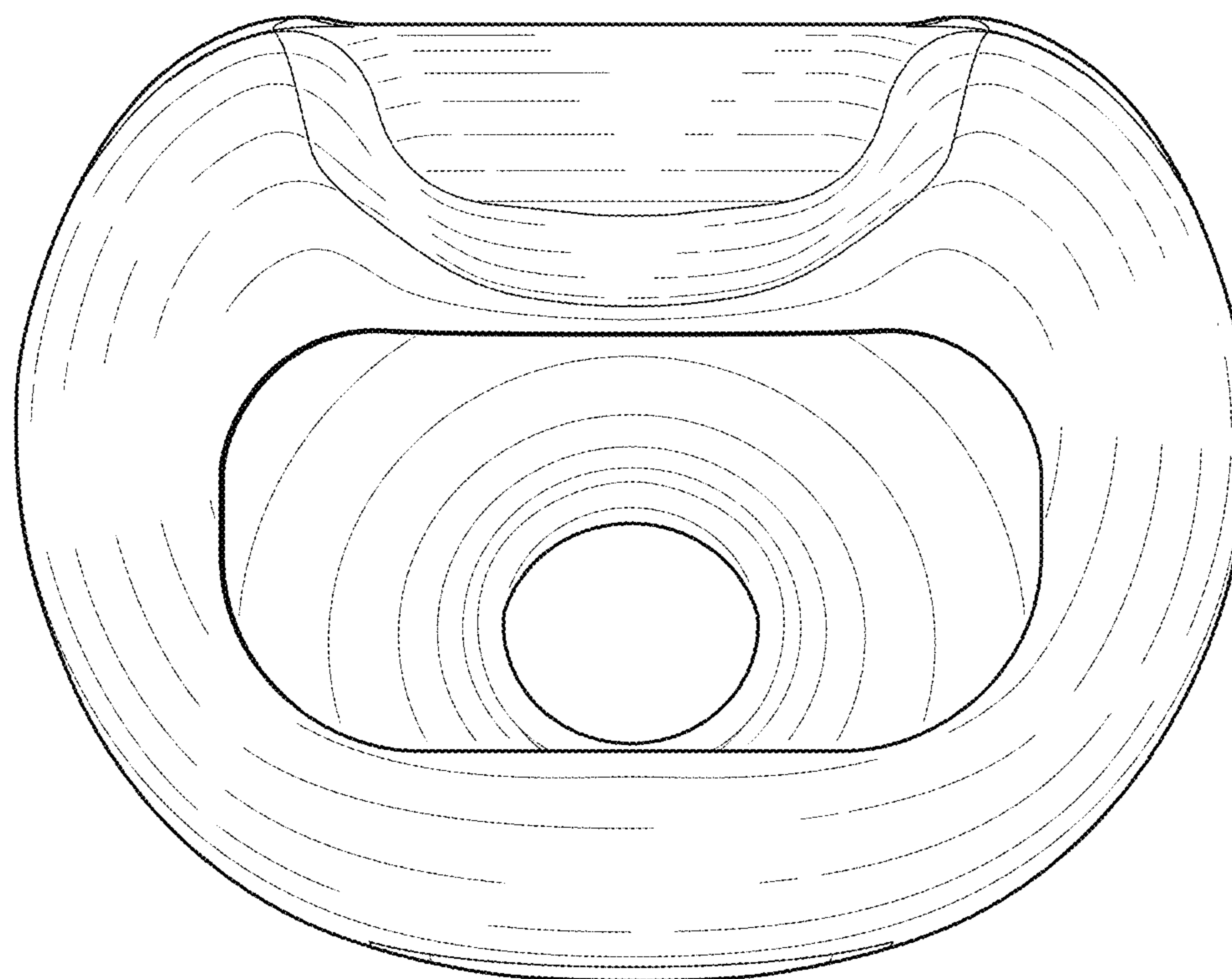


FIG. 3

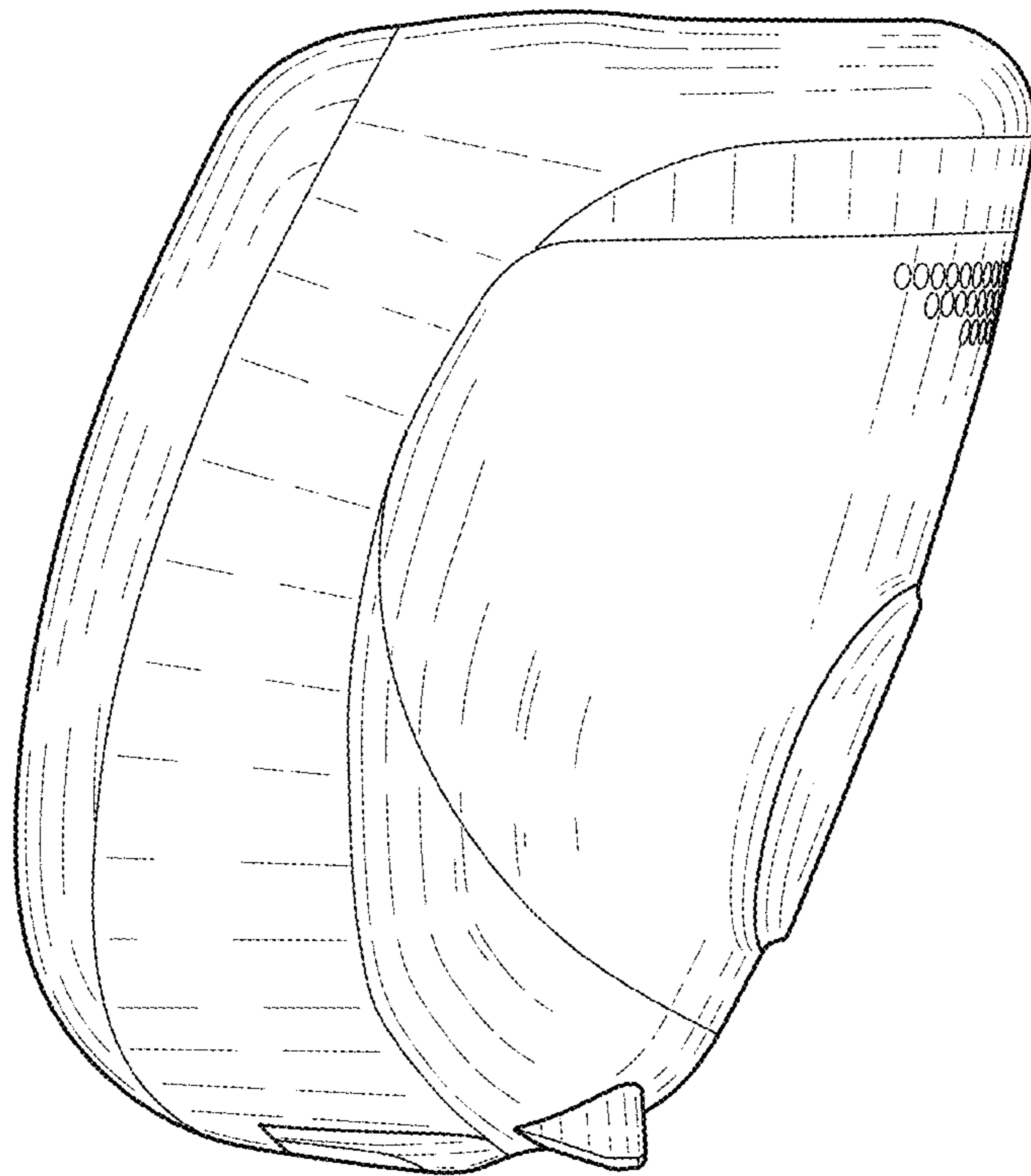


FIG. 4

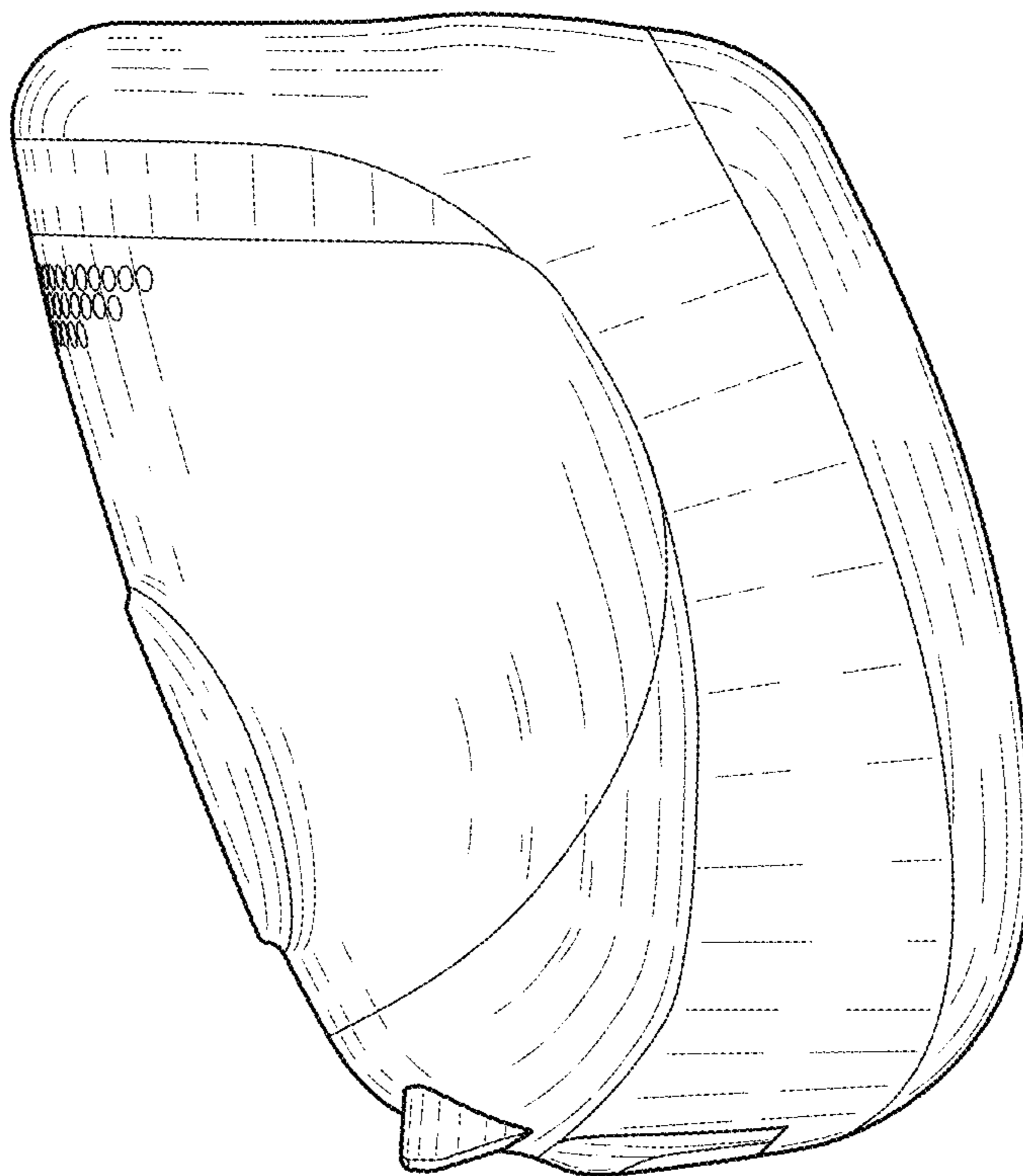


FIG. 5

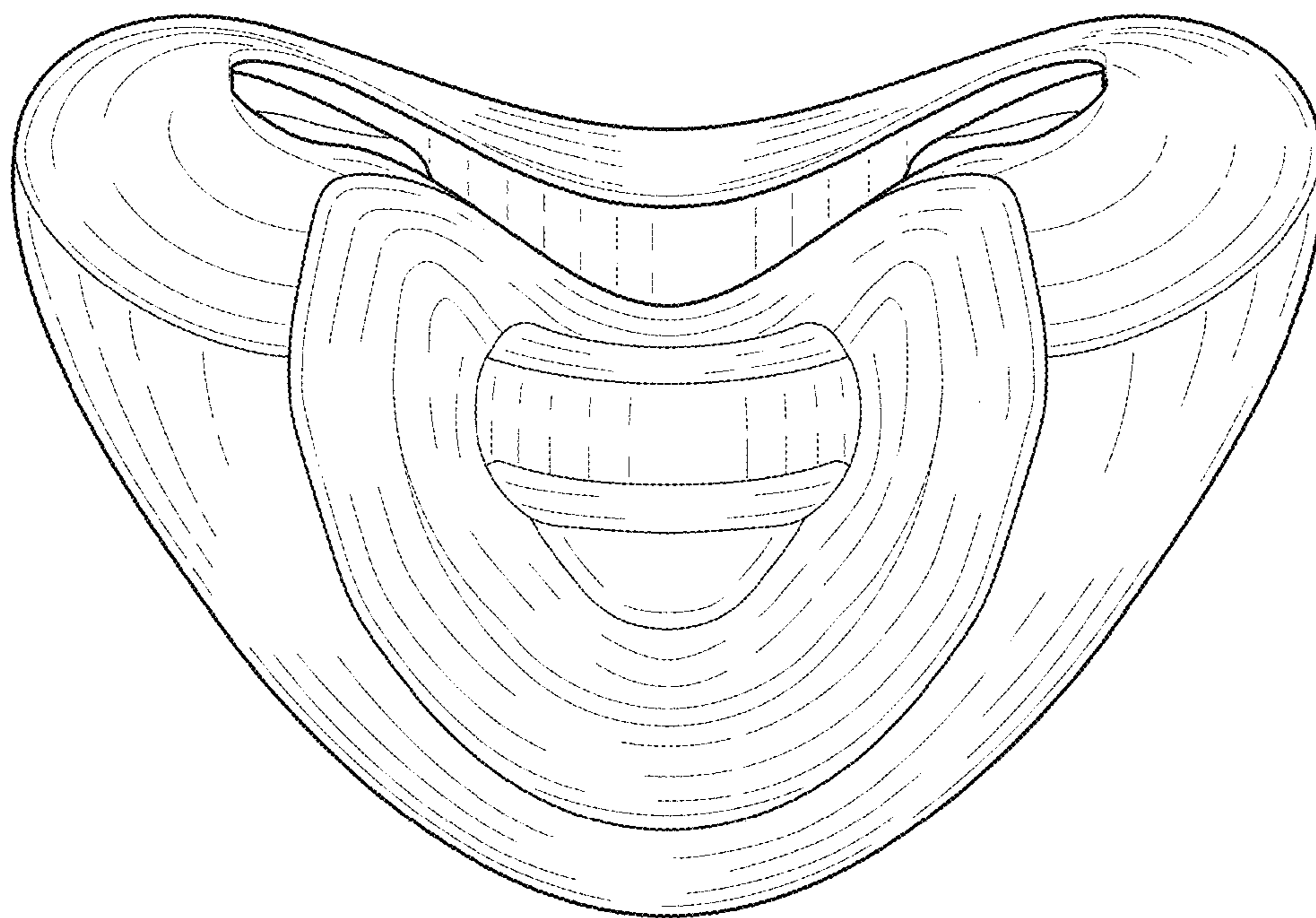


FIG. 6

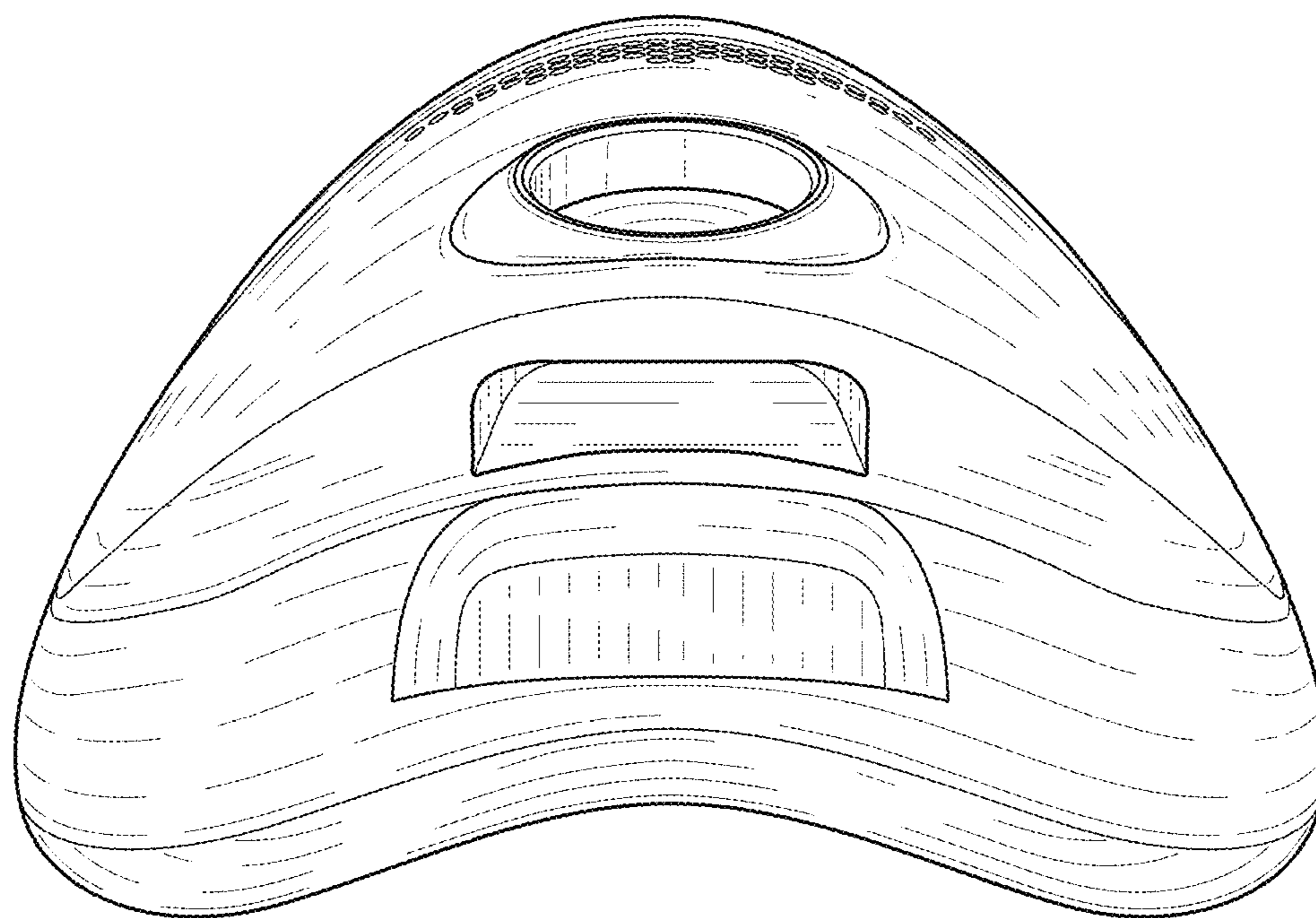


FIG. 7