



US00D769440S

(12) **United States Design Patent** (10) **Patent No.:** **US D769,440 S**
Amarasinghe et al. (45) **Date of Patent:** **** Oct. 18, 2016**

(54) **PATIENT INTERFACE**

(71) Applicant: **ResMed Limited**, Bella Vista, New South Wales (AU)

(72) Inventors: **Amal Shirley Amarasinghe**, Sydney (AU); **Robert Thomas Burnham**, Sydney (AU); **Andrew Hung**, Sydney (AU); **Ian James Matthews**, Sydney (AU); **Philip Michael Nurse**, Sydney (AU); **Christopher Scott Skipper**, Sydney (AU)

(73) Assignee: **ResMed Limited**, Bella Vista (AU)

(**) Term: **14 Years**

(21) Appl. No.: **29/484,940**

(22) Filed: **Mar. 14, 2014**

(51) **LOC (10) Cl.** **29-02**

(52) **U.S. Cl.**
USPC **D24/110.4**

(58) **Field of Classification Search**
USPC D24/110-110.6, 127
CPC A61M 16/0622; A61M 16/0616; A61M 16/0816; A61M 16/08; A61M 16/0633; A61M 16/06; A61M 16/0666; A61M 2210/0618; A61M 16/0683
See application file for complete search history.

(56) **References Cited**

U.S. PATENT DOCUMENTS

- 6,467,483 B1 * 10/2002 Kopacko A61M 16/06 128/205.25
- D496,098 S * 9/2004 Guney D24/110.1
- D532,511 S * 11/2006 Amarasinghe D24/110
- D532,512 S * 11/2006 Amarasinghe D24/110
- D637,283 S * 5/2011 Selvarajan D24/110.1
- D652,913 S * 1/2012 Selvarajan D24/110.1
- D678,999 S * 3/2013 Selvarajan D24/110
- D693,459 S * 11/2013 Prentice D24/110.1
- D693,460 S * 11/2013 Rothermel D24/110.4

- D693,462 S * 11/2013 Rothermel D24/110.4
- D695,887 S * 12/2013 Ozolins D24/110.4
- D706,413 S * 6/2014 Veliss D24/110.1
- 2006/0042629 A1 * 3/2006 Geist A61M 16/06 128/206.24
- 2006/0225740 A1 * 10/2006 Eaton A61M 16/06 128/206.24
- 2006/0266365 A1 * 11/2006 Stallard A61M 16/06 128/207.13
- 2008/0047561 A1 * 2/2008 Fu A61M 16/08 128/207.12

(Continued)

Primary Examiner — Barbara Fox

Assistant Examiner — Lilyana Bekic

(74) *Attorney, Agent, or Firm* — Nixon & Vanderhye P.C.

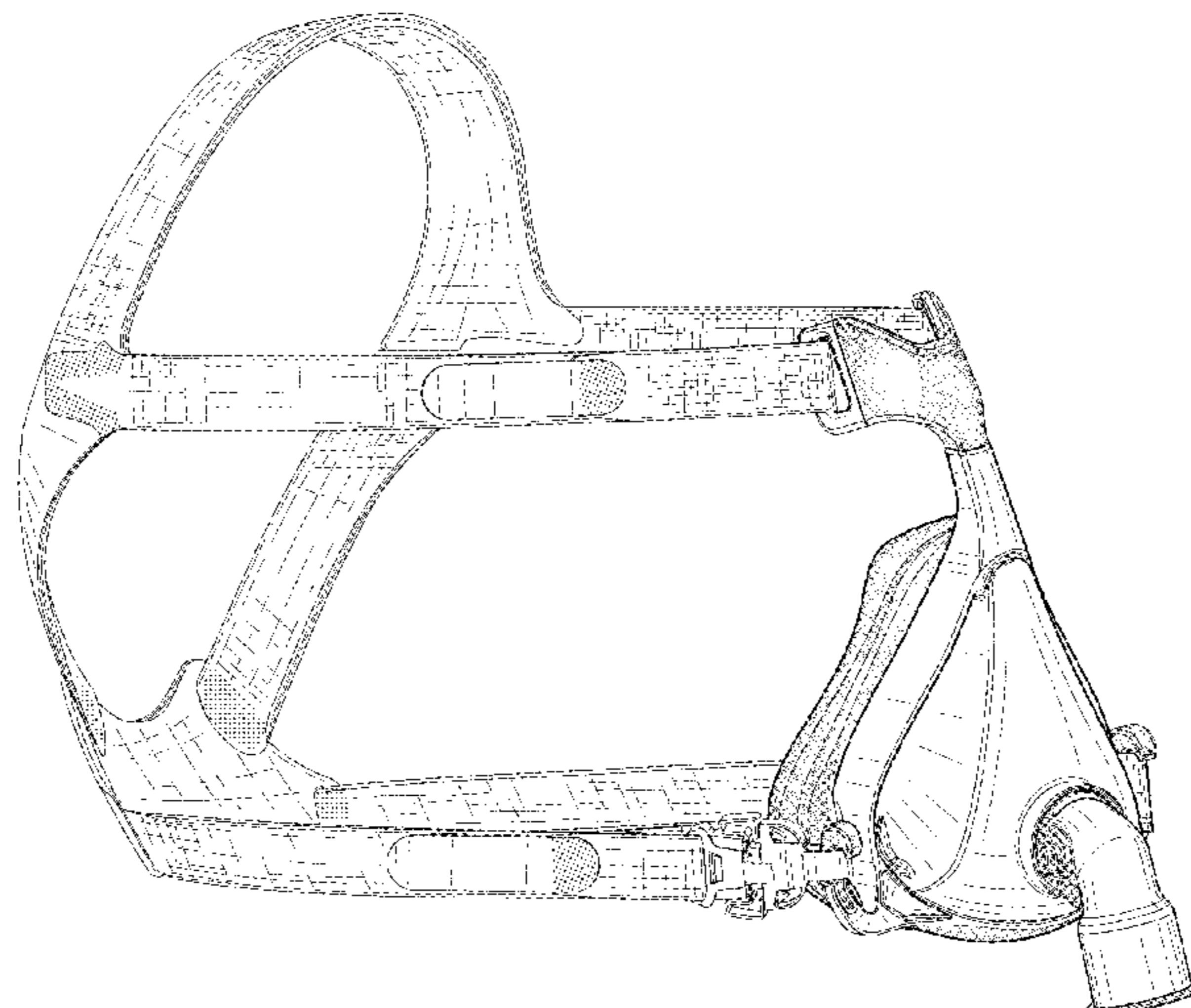
(57) **CLAIM**

The ornamental design for a patient interface, as shown and described.

DESCRIPTION

FIG. 1 is a front perspective view of a patient interface according to a first embodiment of our new design;
 FIG. 2 is a front view thereof;
 FIG. 3 is a rear view thereof;
 FIG. 4 is a top view thereof;
 FIG. 5 is a bottom view thereof;
 FIG. 6 is a left side view thereof;
 FIG. 7 is a right side view thereof;
 FIG. 8 is a front perspective view of a patient interface according to a second embodiment of our new design;
 FIG. 9 is a front view thereof;
 FIG. 10 is a rear view thereof;
 FIG. 11 is a top view thereof;
 FIG. 12 is a bottom view thereof;
 FIG. 13 is a left side view thereof; and,
 FIG. 14 is a right side view thereof.
 The broken lines in the drawings illustrate portions of the patient interface which form no part of the claimed design. Line shading and stippling in FIGS. 1-7 have been used to indicate a contrast in appearance.

1 Claim, 14 Drawing Sheets



(56)

References Cited

U.S. PATENT DOCUMENTS

2013/0008448	A1*	1/2013	Todd	A61M 16/06 128/205.25	2014/0150800	A1*	6/2014	Zeijlstra	A61M 16/0683 128/207.11
2013/0228173	A1*	9/2013	Busch	A61M 16/0683 128/202.27	2014/0261427	A1*	9/2014	Foote	A61M 16/0069 128/204.23
2013/0324788	A1*	12/2013	Holley	A61B 5/087 600/28	2014/0261435	A1*	9/2014	Rothermel	A61M 16/06 128/205.25
2014/0026888	A1*	1/2014	Matula, Jr.	A61M 16/06 128/205.25	2014/0290663	A1*	10/2014	Rothermel	A61M 16/06 128/206.24
2014/0083429	A1*	3/2014	Rothermel	A61M 16/06 128/205.25	2014/0311496	A1*	10/2014	Rothermel	A61M 16/06 128/206.24
					2015/0000671	A1*	1/2015	Frerichs	A61M 16/0683 128/206.21

* cited by examiner

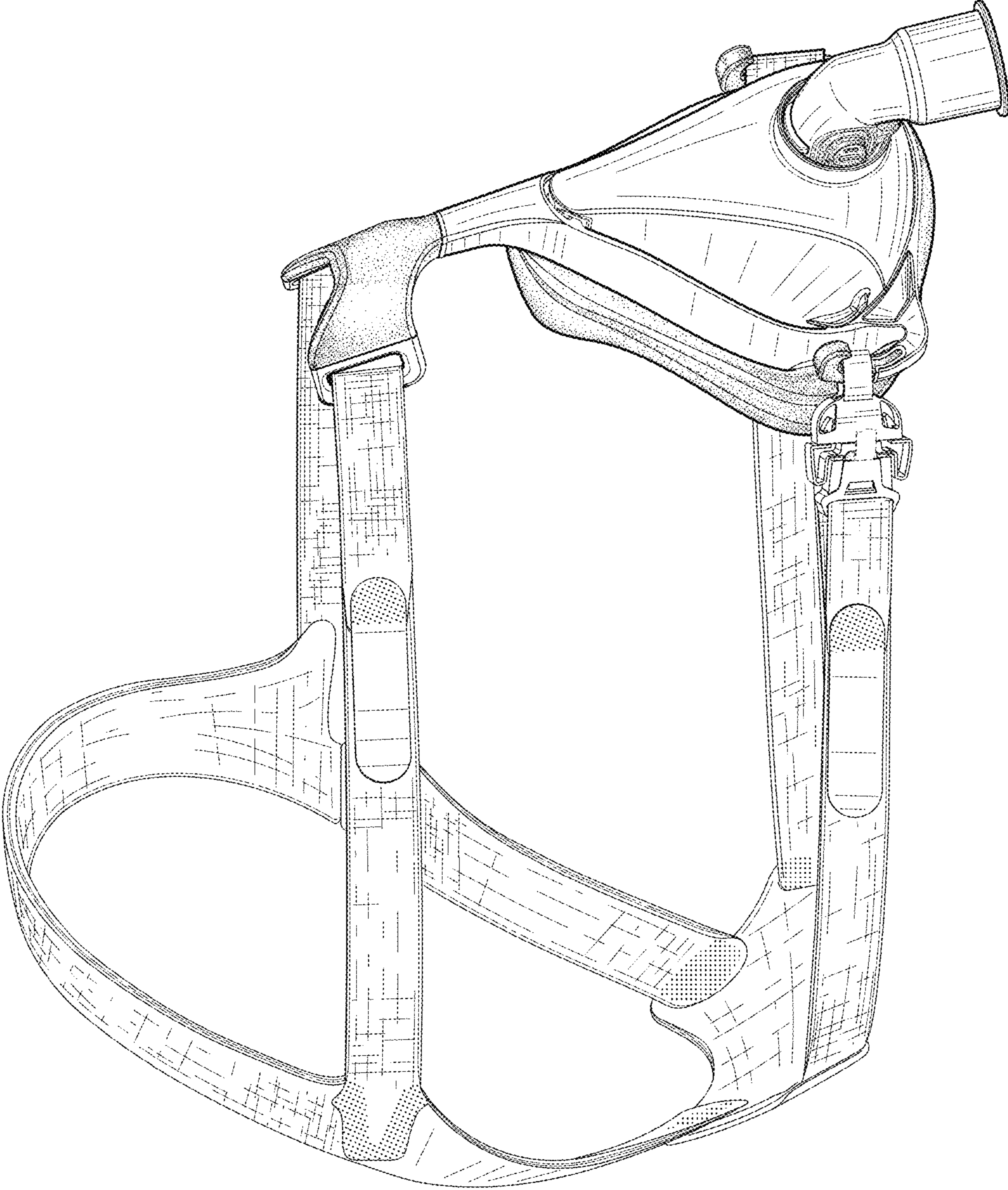


FIG. 1

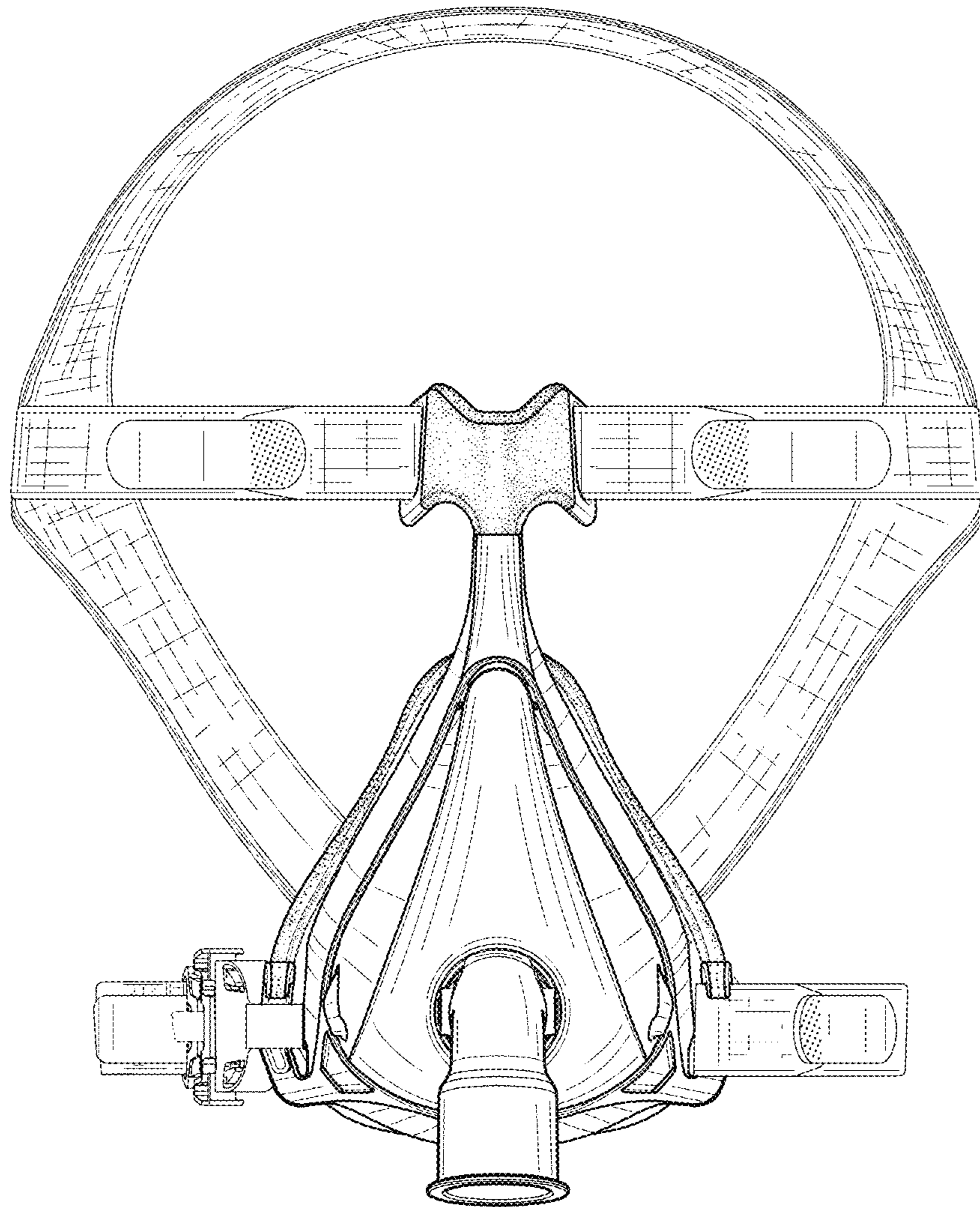


FIG. 2

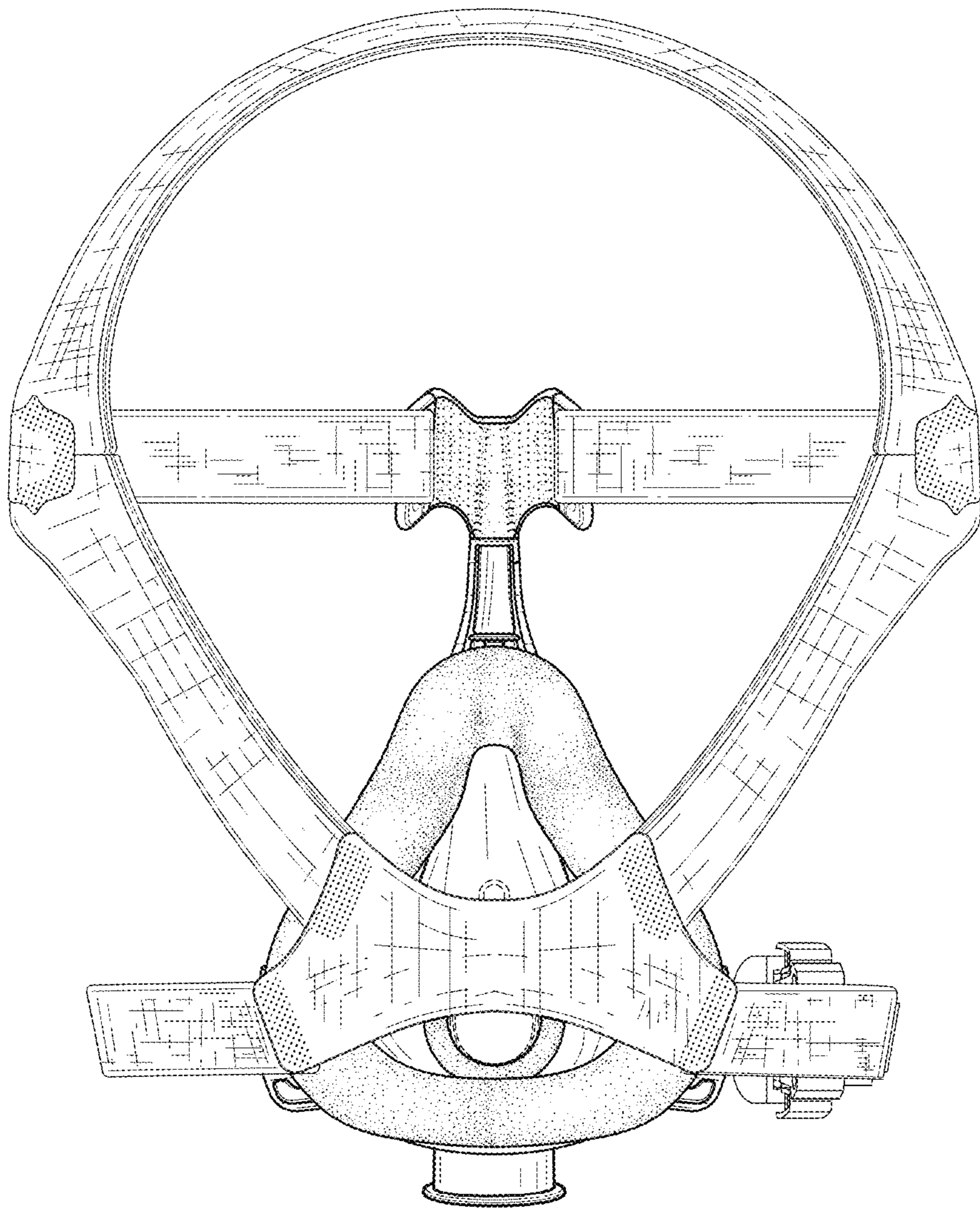


FIG. 3

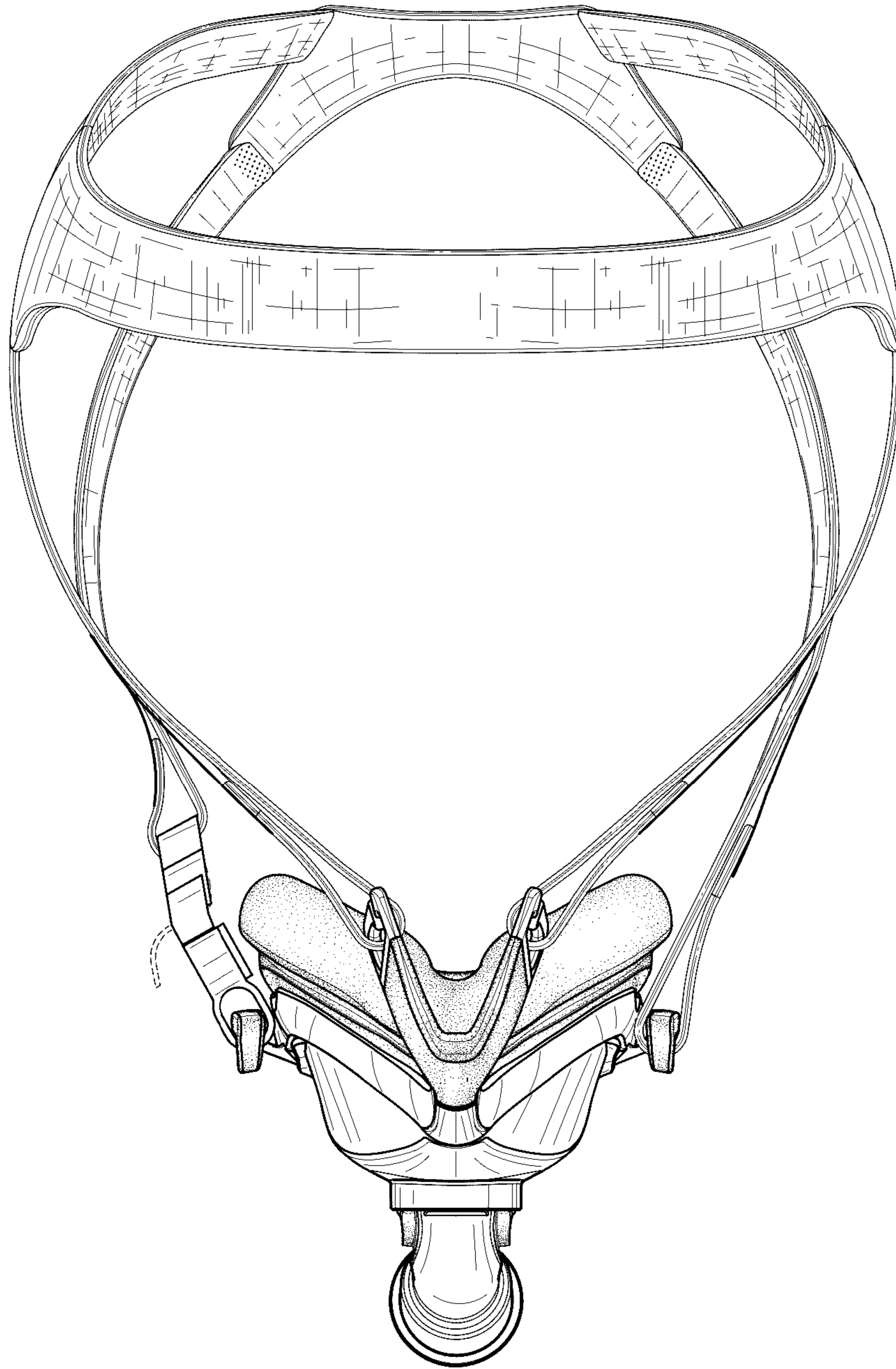


FIG. 4

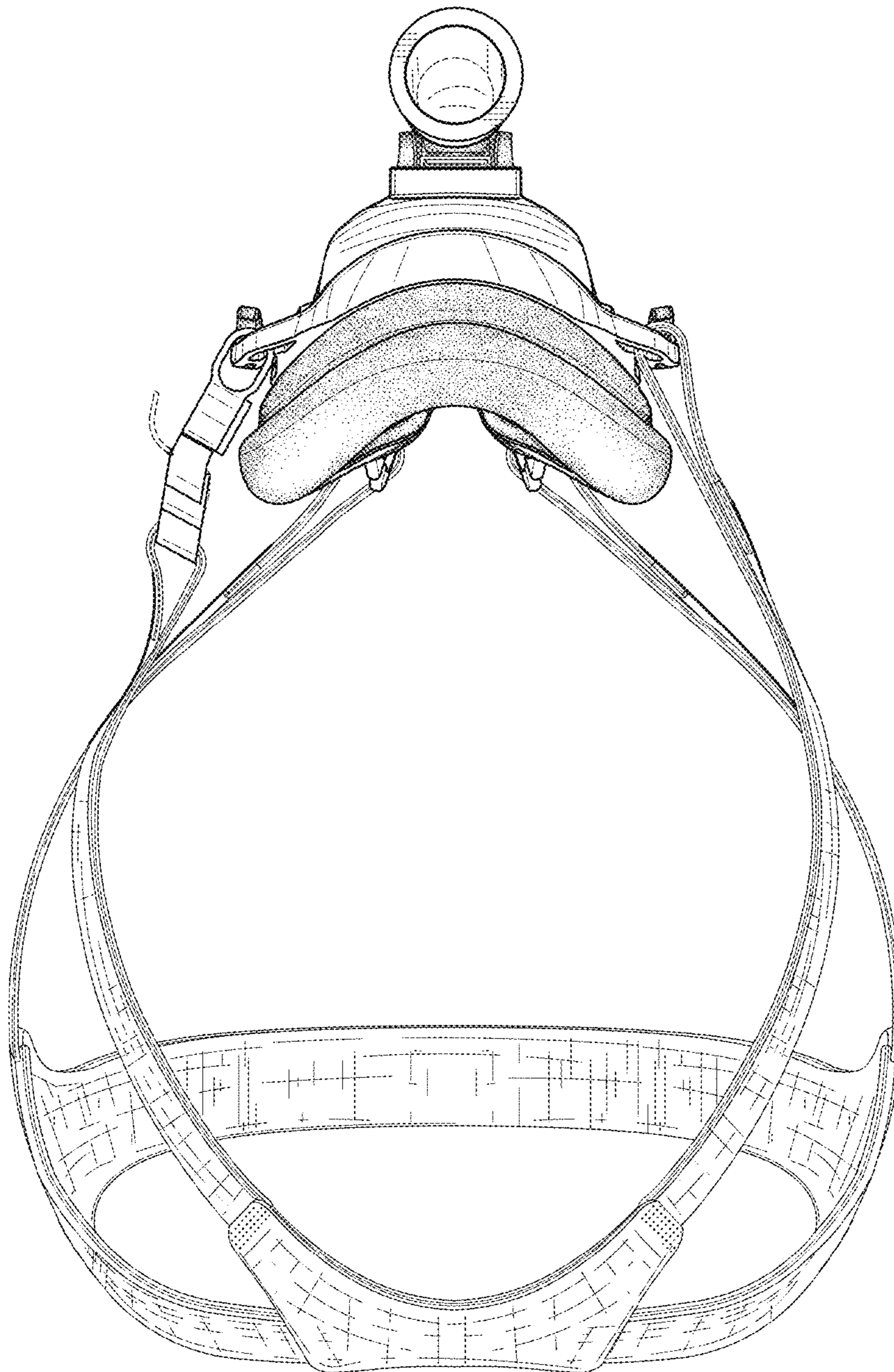


FIG. 5

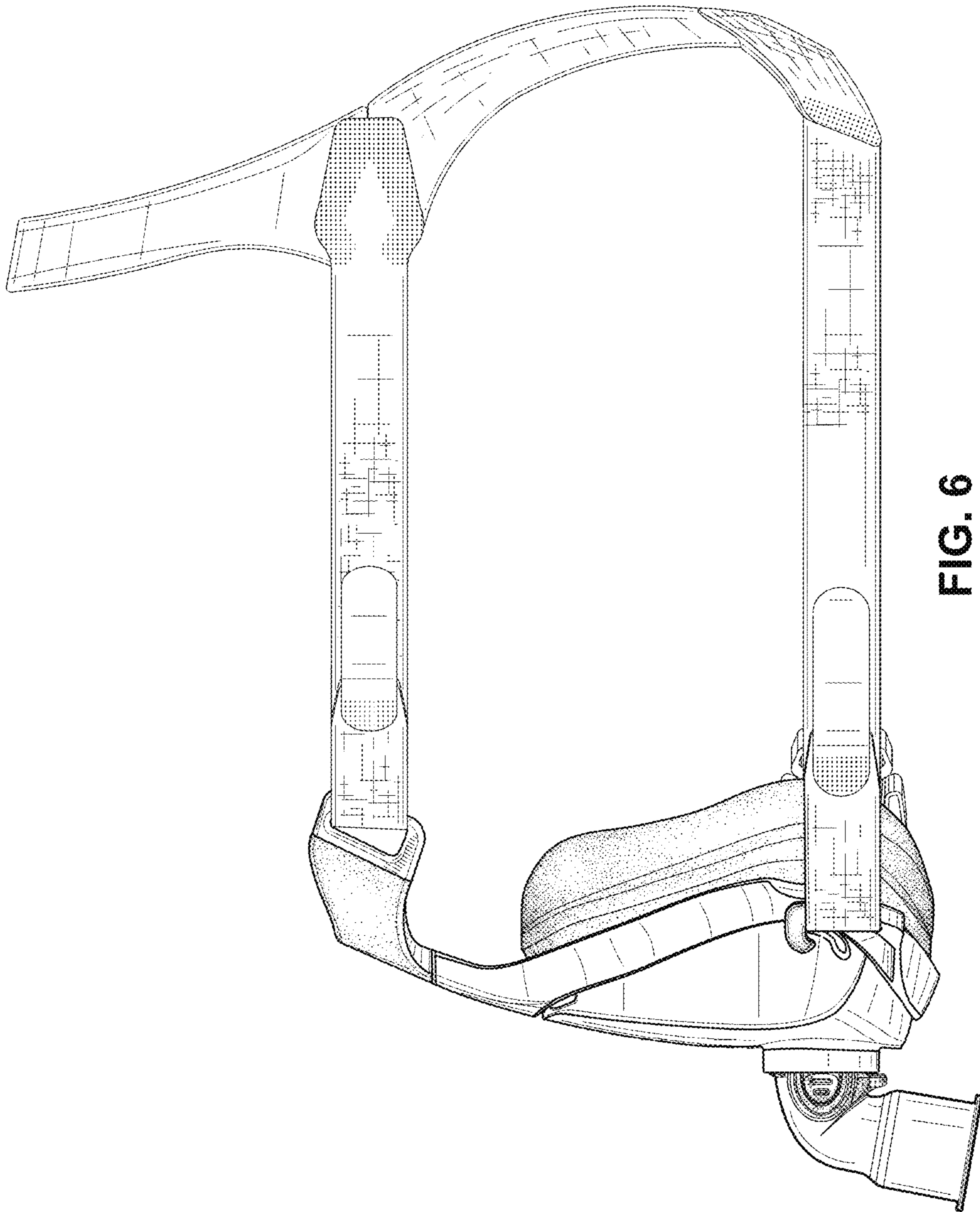


FIG. 6

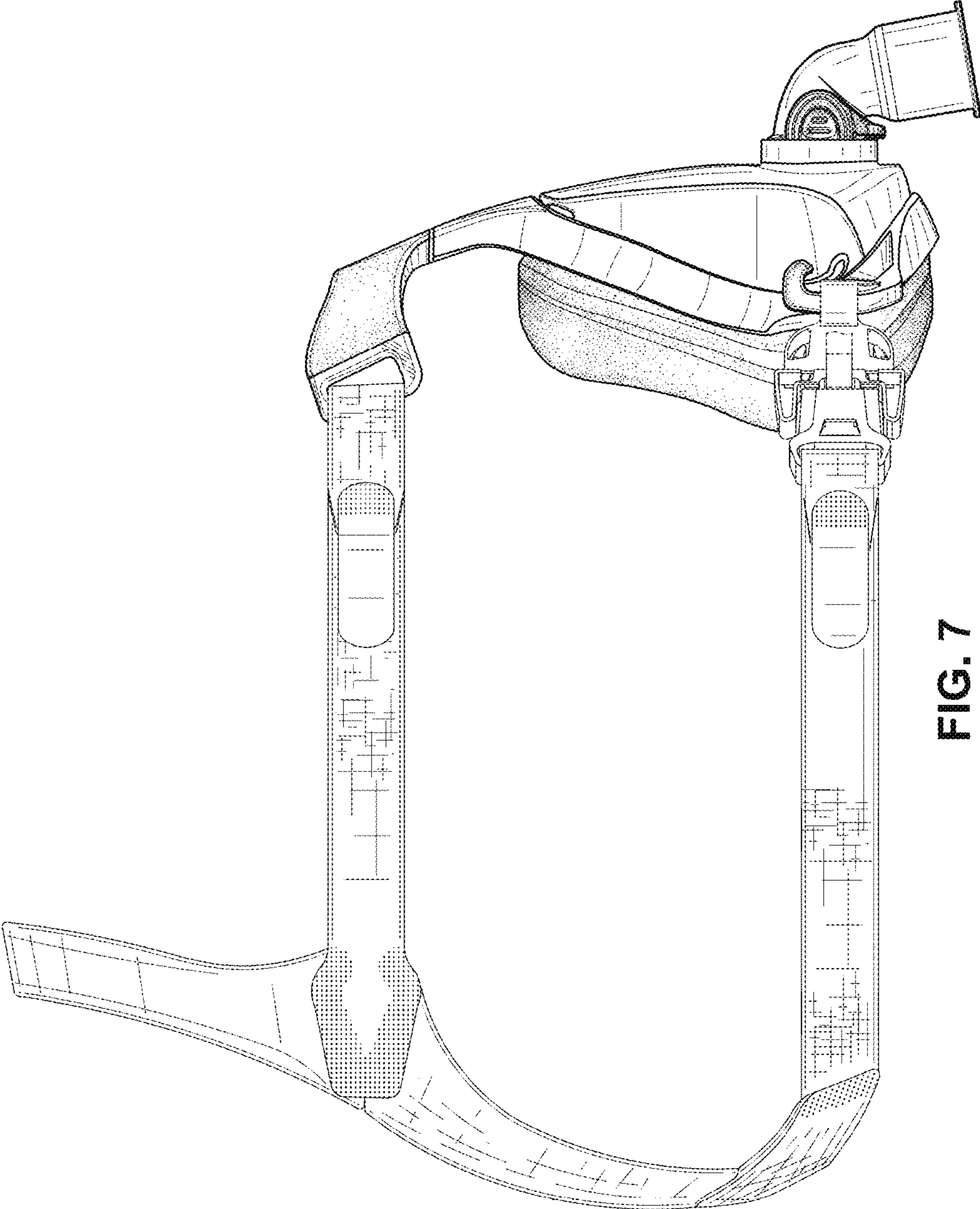


FIG. 7

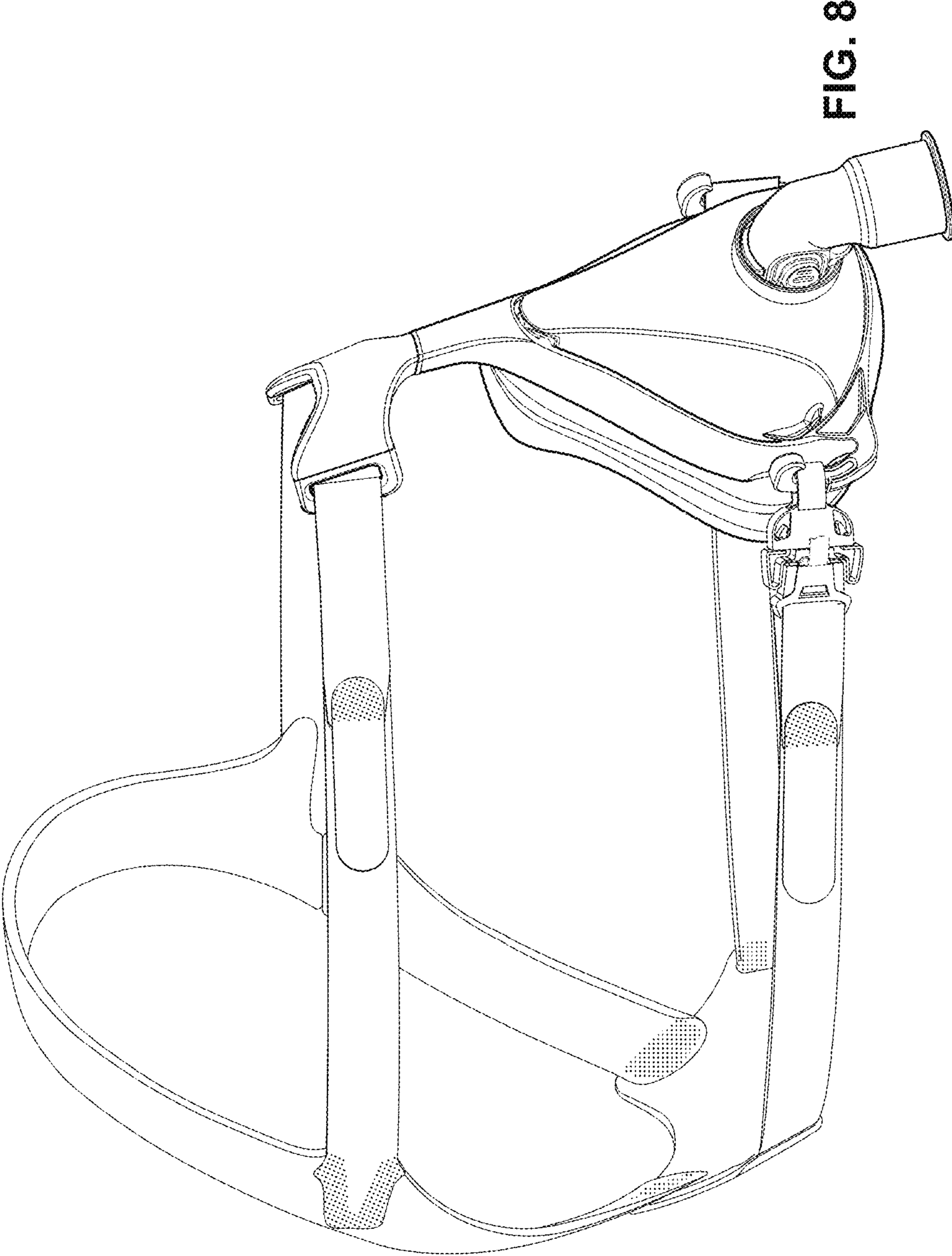


FIG. 8

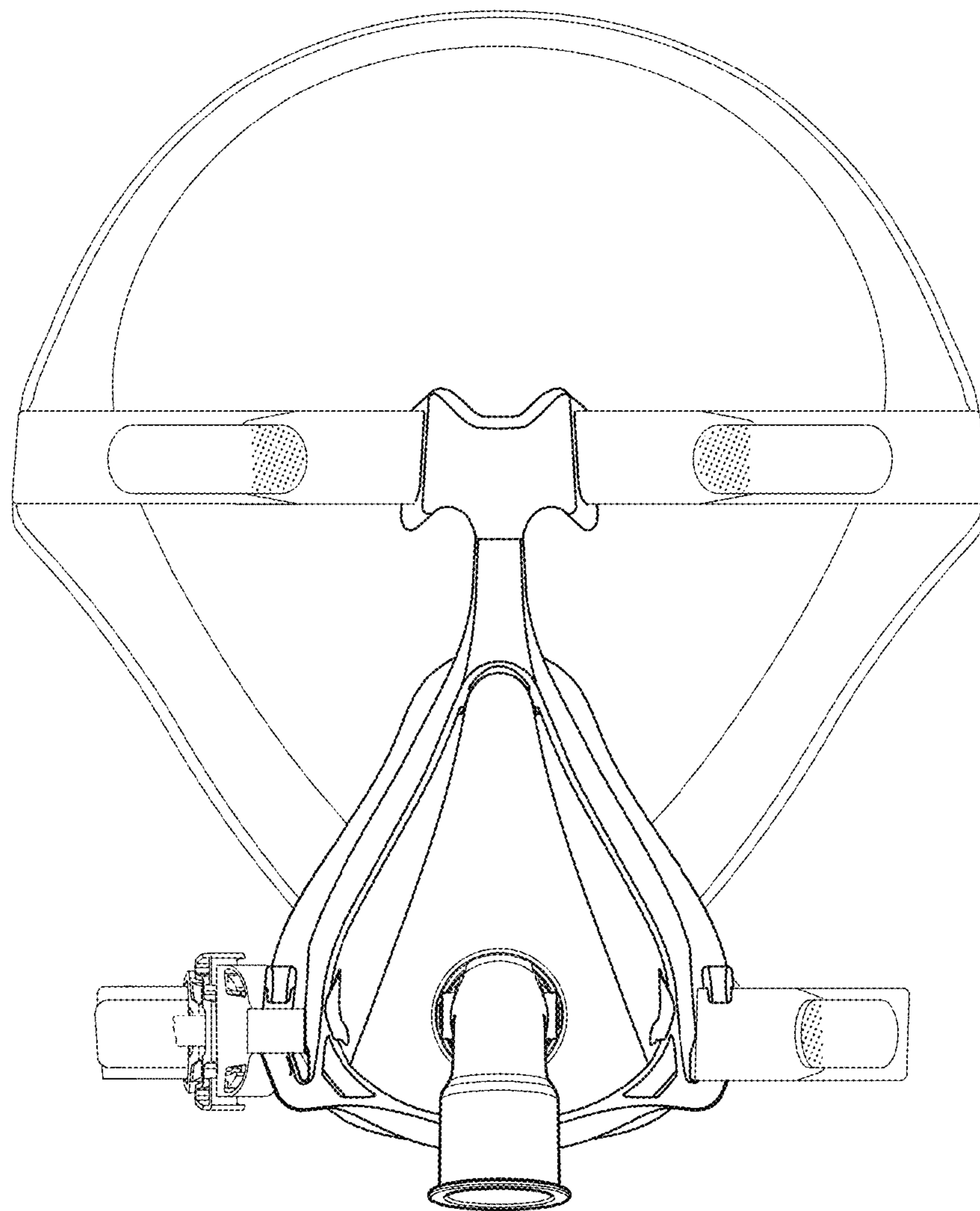


FIG. 9

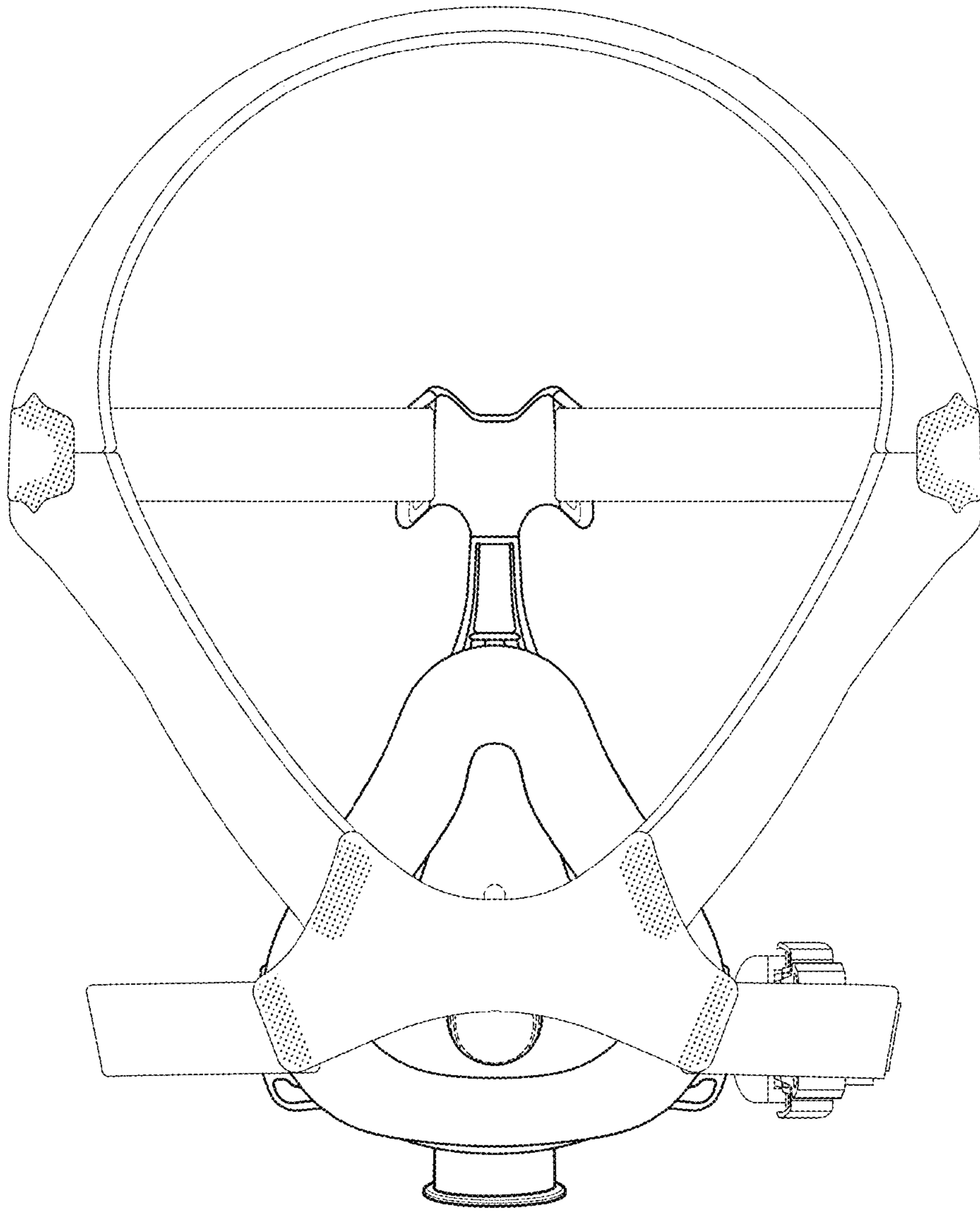


FIG. 10

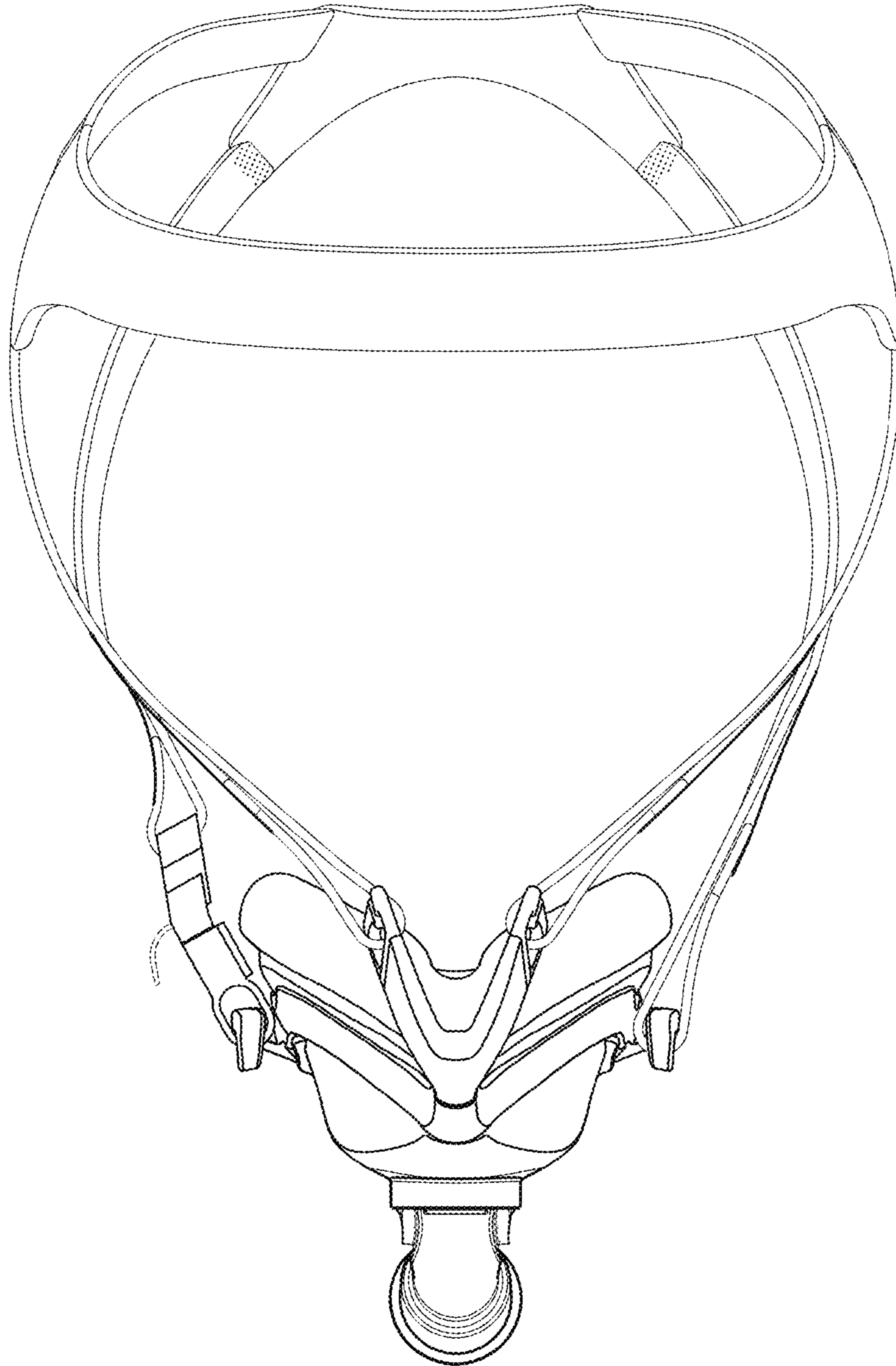


FIG. 11

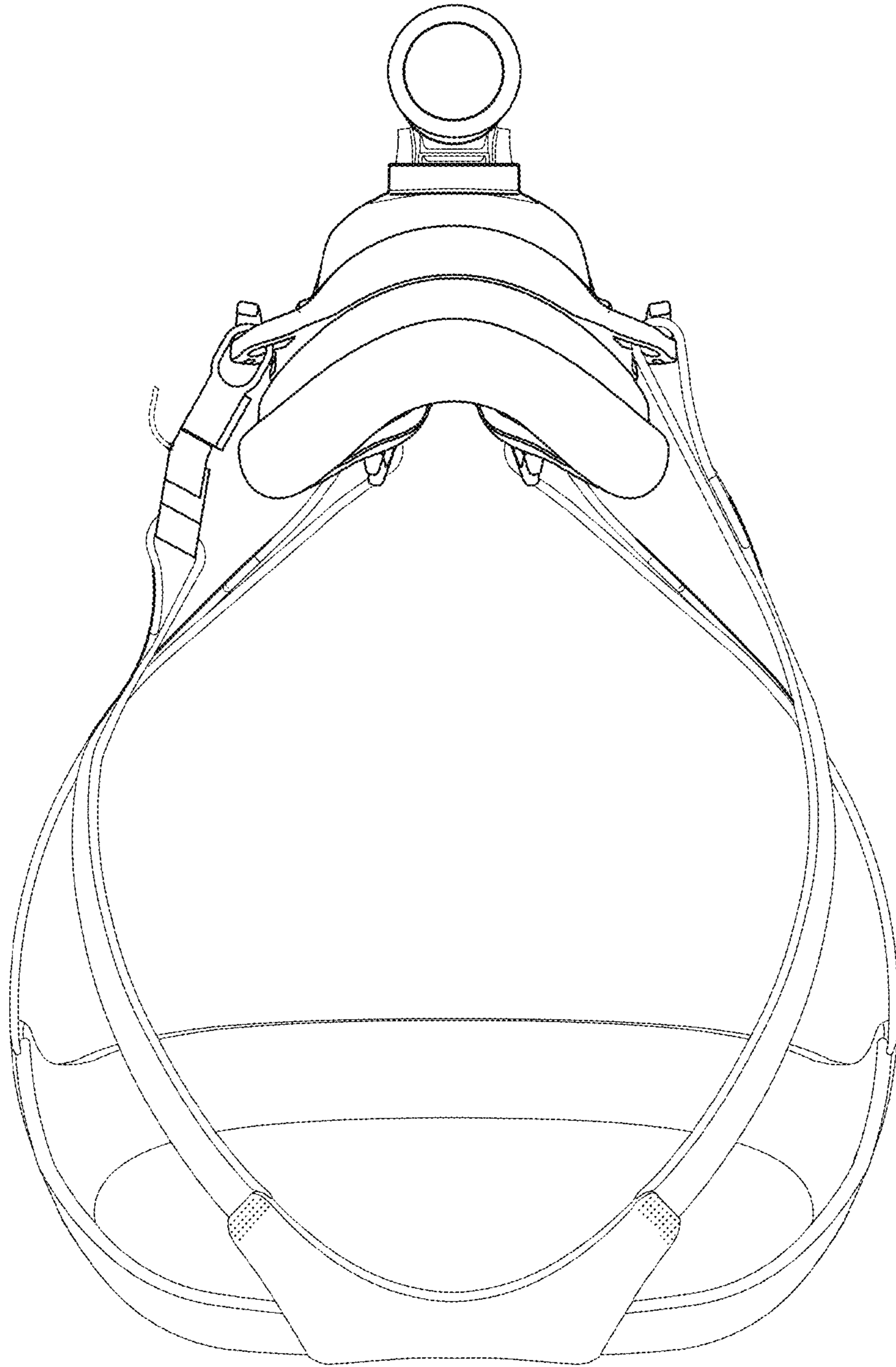


FIG. 12

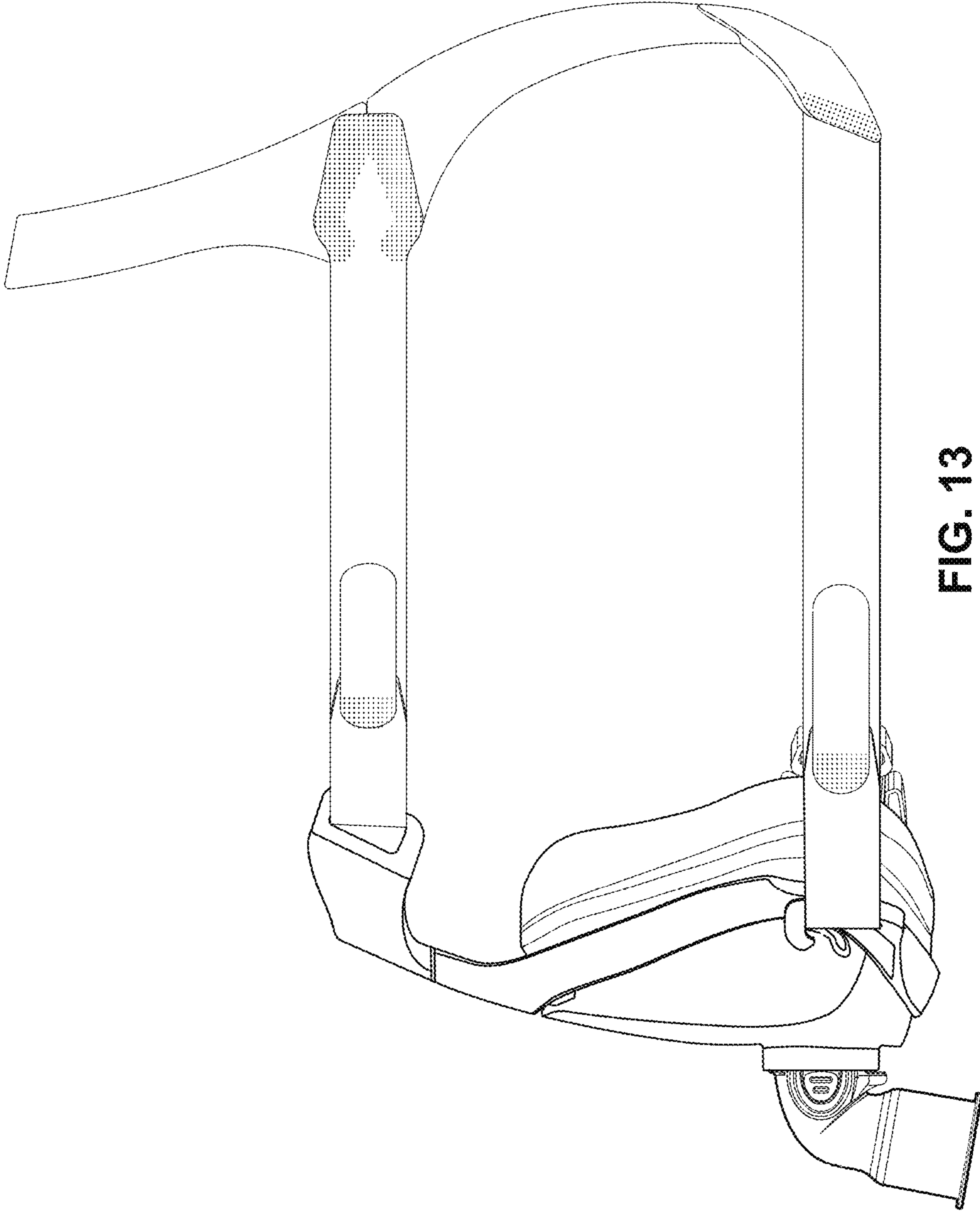


FIG. 13

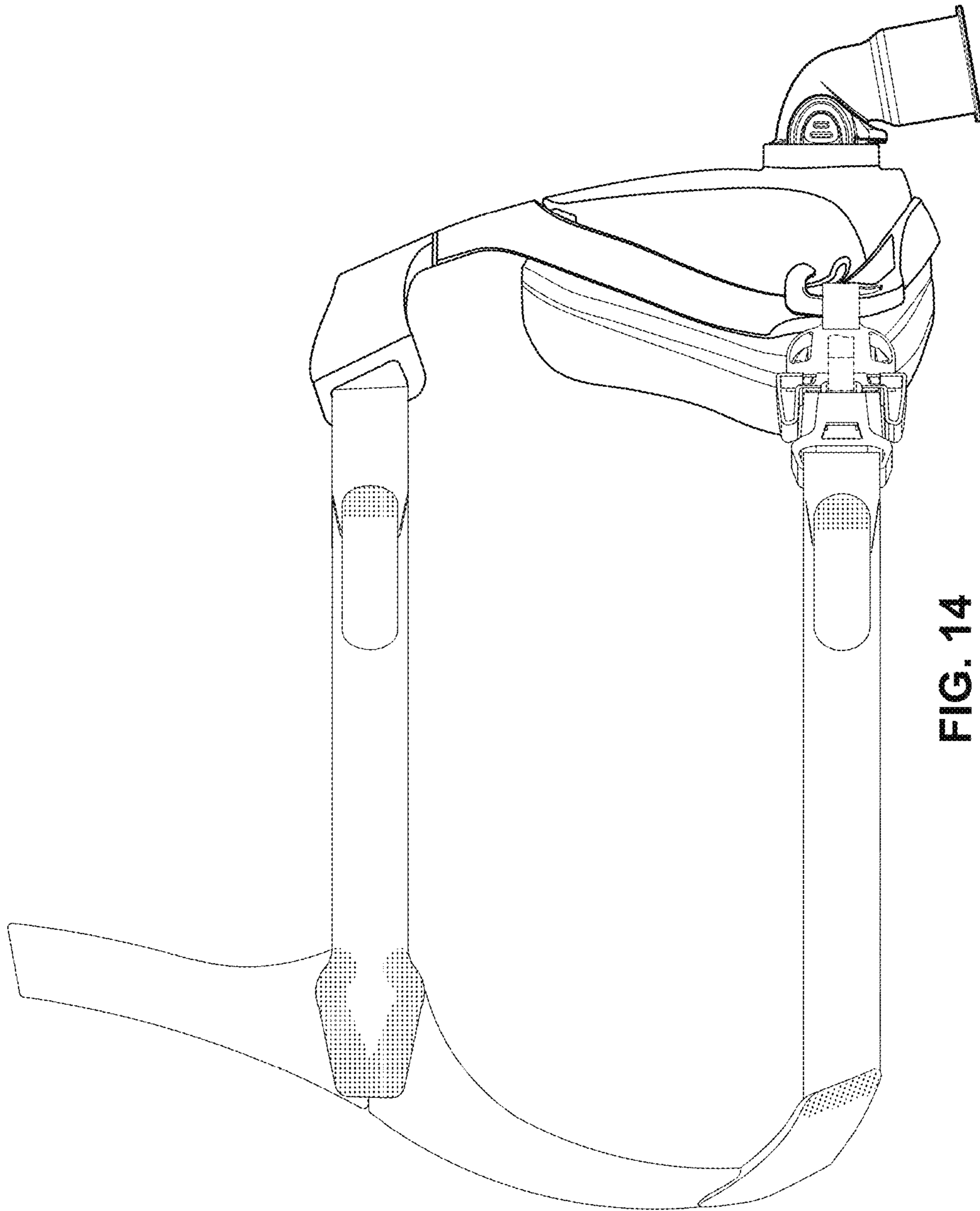


FIG. 14