

US00D769438S

(12) **United States Design Patent**  
**Crosby et al.**

(10) **Patent No.:** **US D769,438 S**  
(45) **Date of Patent:** **\*\* Oct. 18, 2016**

(54) **INHALER DEVICE**

- (71) Applicant: **Glaxo Group Limited**, Brentford, Middlesex (GB)
- (72) Inventors: **Gary Thomas Crosby**, Ware (GB); **John Deamer**, Barnston (GB); **Philip William Farr**, Ware (GB); **Stephen Maurice Pitson**, Sturmer (GB); **Alan Anthony Wilson**, Ware (GB)
- (73) Assignee: **Glaxo Group Limited**, Brentford, Middlesex (GB)
- (\*\*) Term: **14 Years**
- (21) Appl. No.: **29/495,890**
- (22) Filed: **Jul. 7, 2014**

(30) **Foreign Application Priority Data**

Jan. 8, 2014	(GB)	4033636
Jan. 8, 2014	(GB)	4033637
Jan. 8, 2014	(GB)	4033638
Jan. 8, 2014	(GB)	4033639
Jan. 8, 2014	(GB)	4033640
Jan. 8, 2014	(GB)	4033641
Jan. 8, 2014	(GB)	4033642
Jan. 8, 2014	(GB)	4033643
Jan. 8, 2014	(GB)	4033644

(51) **LOC (10) Cl.** ..... **29-02**

(52) **U.S. Cl.**  
USPC ..... **D24/110**

(58) **Field of Classification Search**  
USPC ..... D24/107, 108, 110, 127, 164  
CPC ..... A61M 15/0026; A61M 15/0025;  
A61M 15/0023; A61M 15/0021; A61M  
15/00; A61M 15/0001  
See application file for complete search history.

(56) **References Cited**

**U.S. PATENT DOCUMENTS**

D199,165 S *	9/1964	Ryden	.....	D24/110
D299,066 S *	12/1988	Newell	.....	D24/110

(Continued)

**FOREIGN PATENT DOCUMENTS**

DE	10 2009 041 664 A1	3/2011
EP	0 129 985 A1	1/1985
WO	WO-2014/006135 A2	1/2014

*Primary Examiner* — Barbara Fox  
*Assistant Examiner* — Lilyana Bekic  
(74) *Attorney, Agent, or Firm* — James P. Riek

(57) **CLAIM**

The ornamental design for an inhaler device, as shown and described.

**DESCRIPTION**

FIG. 1 is a front, top and side perspective view of an inhaler device in a closed configuration according to the new design;

FIG. 2 is a top plan view of the inhaler device;

FIG. 3 is a bottom plan view of the inhaler device of FIG. 1;

FIG. 4 is a side view of the inhaler device of FIG. 1;

FIG. 5 is an opposite side view of the inhaler device of FIG. 1;

FIG. 6 is a rear, and side perspective view of the inhaler device of FIG. 1;

FIG. 7 is a front view of the inhaler device of FIG. 1;

FIG. 8 is a rear view of the inhaler device of FIG. 1;

FIG. 9 is a front, top and side perspective view of the inhaler device of FIG. 1 shown in an open configuration;

FIG. 10 is a top plan view of the inhaler device of FIG. 9;

FIG. 11 is a bottom plan view of the inhaler device of FIG. 9;

FIG. 12 is a side view of the inhaler device of FIG. 9;

FIG. 13 is an opposite side view of the inhaler device of FIG. 9;

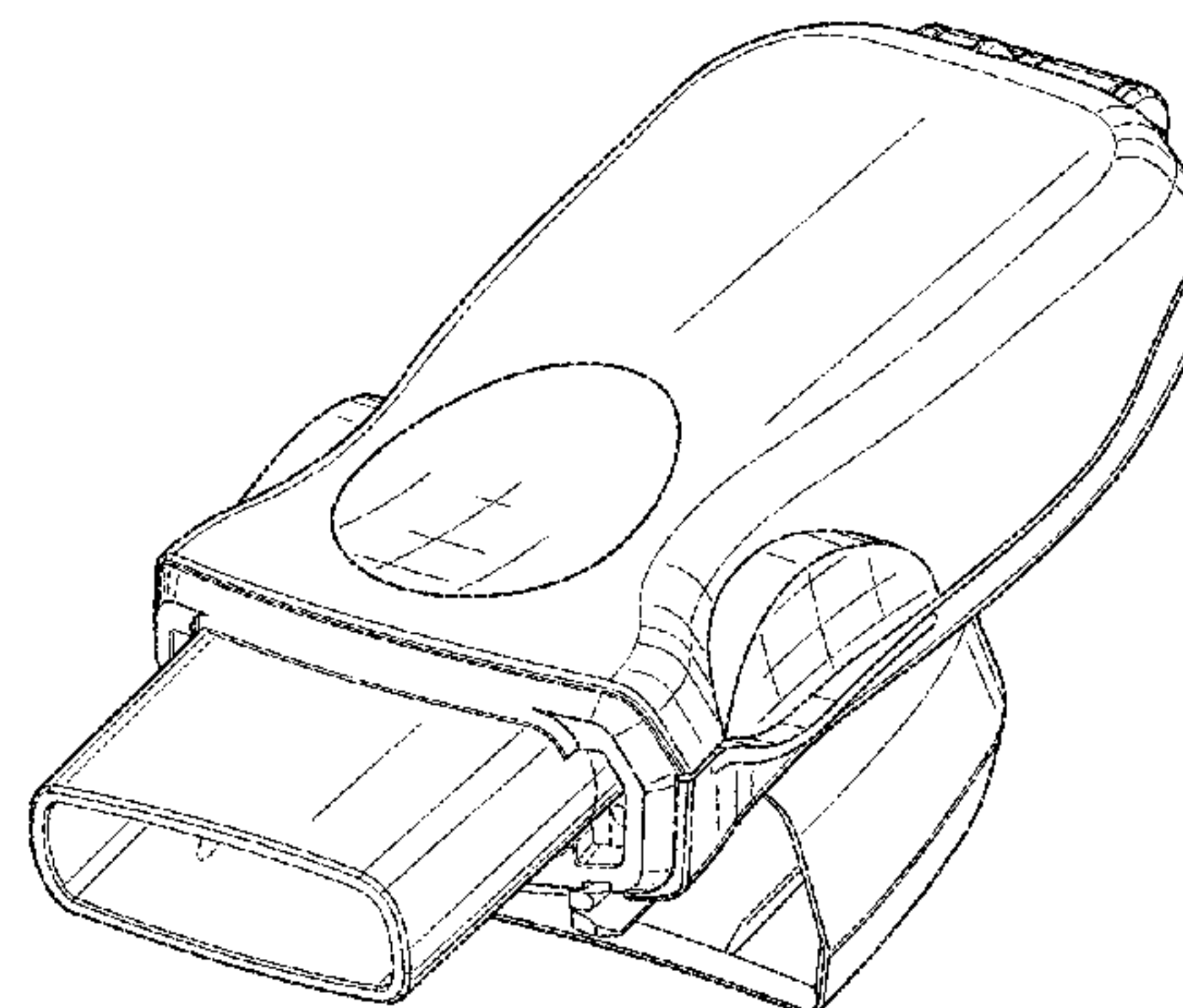
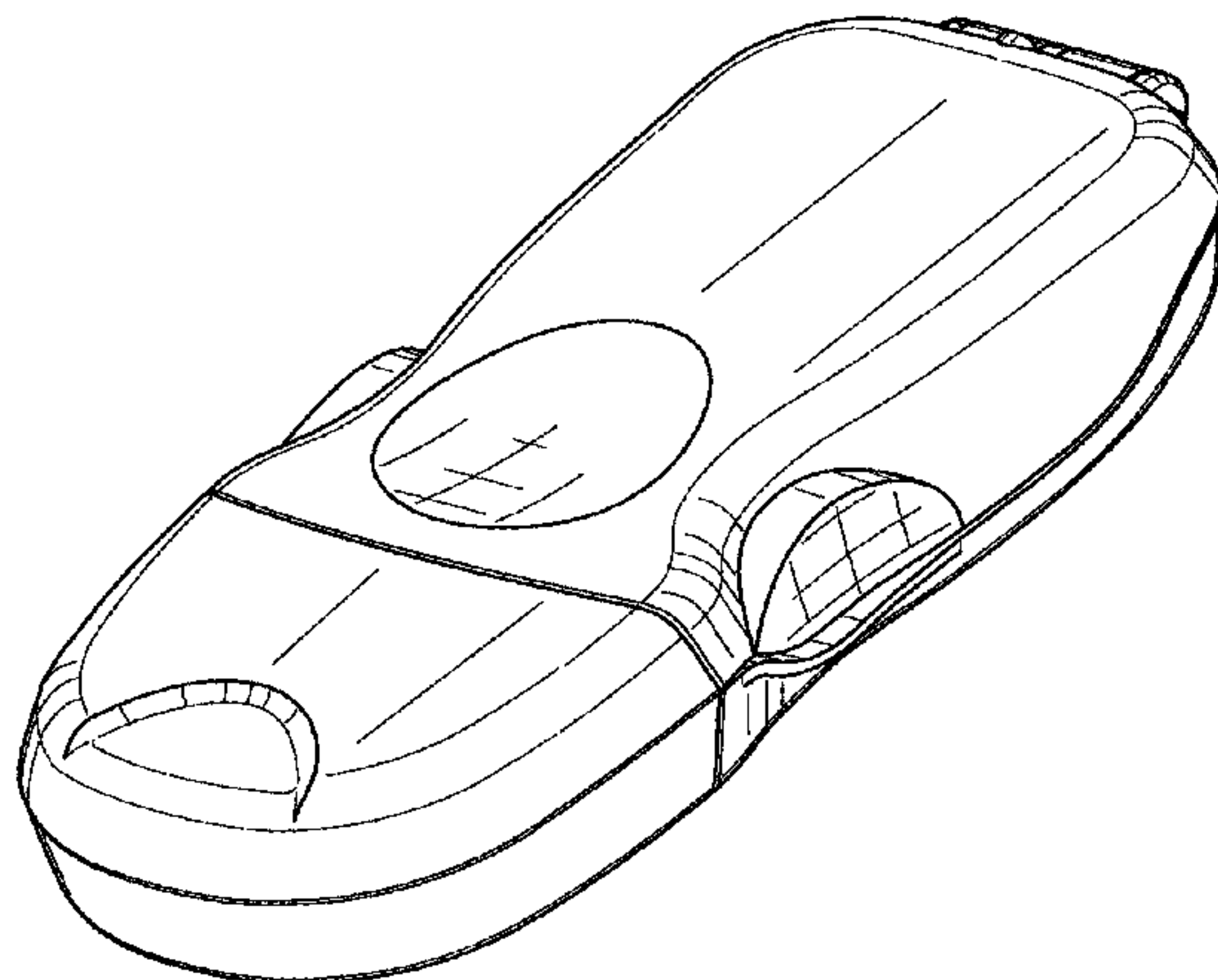
FIG. 14 is a rear, bottom and side perspective view of the inhaler device of FIG. 9;

FIG. 15 is a front view of the inhaler device of FIG. 9; and,

FIG. 16 is a rear view of the inhaler device of FIG. 9.

The broken lines in the drawings illustrate portions of the inhaler device which form no part of the claimed design.

**1 Claim, 6 Drawing Sheets**



(56)

References Cited

U.S. PATENT DOCUMENTS

4,811,731	A *	3/1989	Newell	.....	A61M 15/0045				
						128/203.15			
D417,731	S *	12/1999	Butler	.....	D24/110				
D518,569	S *	4/2006	Nishibayashi	.....	D24/110				
D528,654	S *	9/2006	Nishibayashi	.....	D24/110				
D549,341	S *	8/2007	Ross	.....	D24/164				
D605,752	S *	12/2009	Polidoro	.....	D24/110				
D629,886	S *	12/2010	Adamo	.....	D24/110.5				
D636,868	S *	4/2011	Kinsey	.....	D24/110				
7,950,389	B2 *	5/2011	Eason	.....	A61M 15/0028				
						128/203.12			
D674,893	S *	1/2013	Kinsey	.....	D24/110				
D697,616	S *	1/2014	Berry	.....	D24/110				
2006/0037612	A1 *	2/2006	Herder	.....	A61M 15/0065				
						128/203.15			
2009/0308390	A1 *	12/2009	Smutney	.....	A61M 15/0028				
						128/203.15			
2011/0192397	A1	8/2011	Saskar et al.						
2012/0037158	A1	2/2012	Wachtel et al.						
2015/0283338	A1 *	10/2015	Colosio	.....	A61M 15/0028				
						128/203.15			

\* cited by examiner

FIG. 1

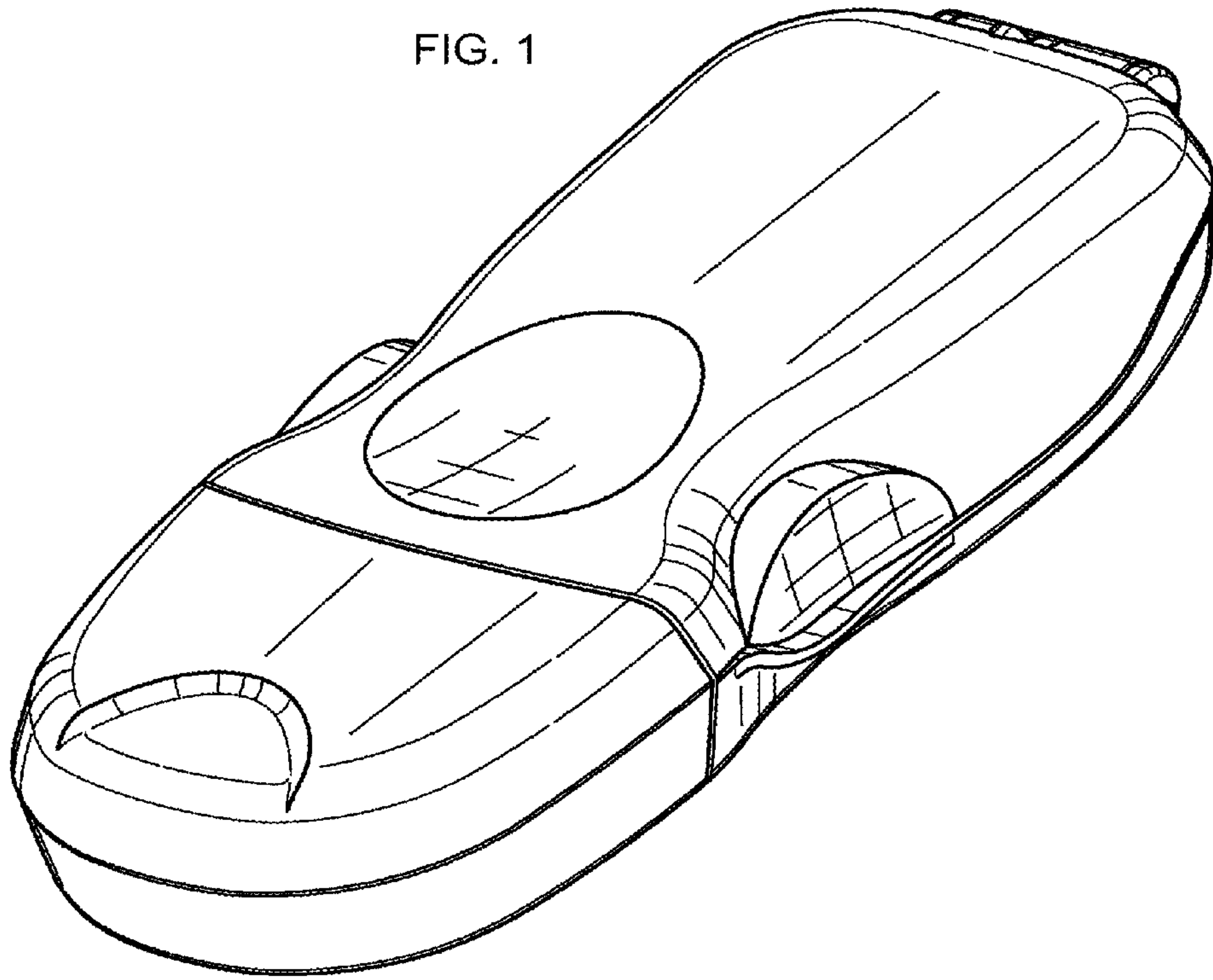


FIG. 2

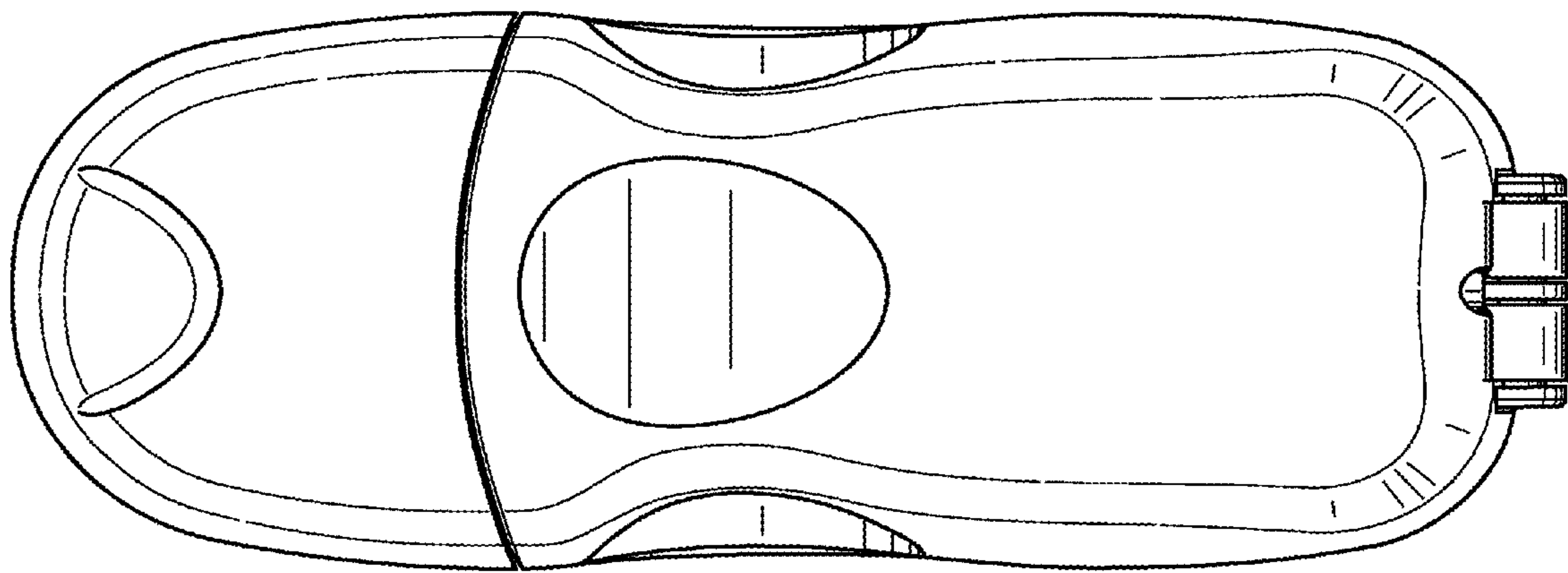


FIG. 3

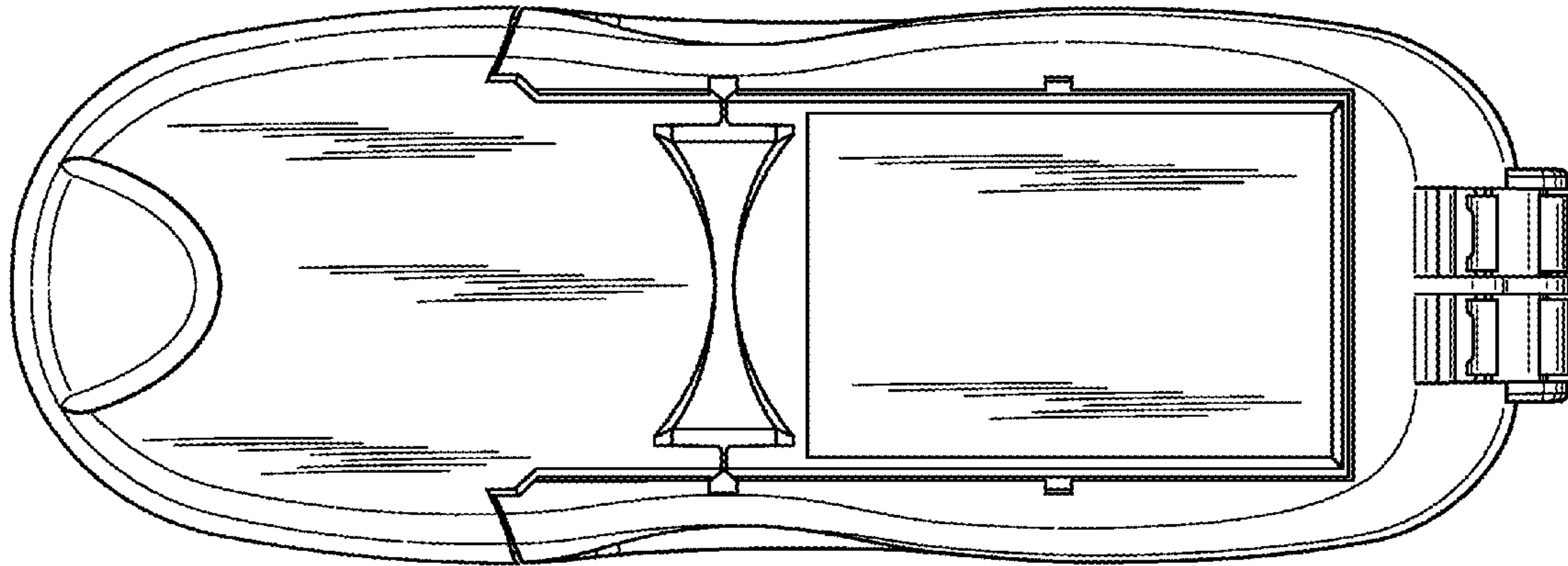


FIG. 4

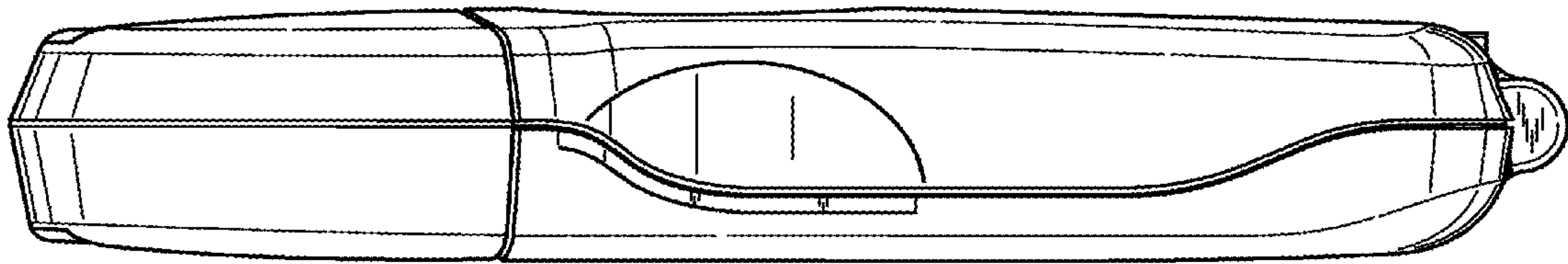


FIG. 5

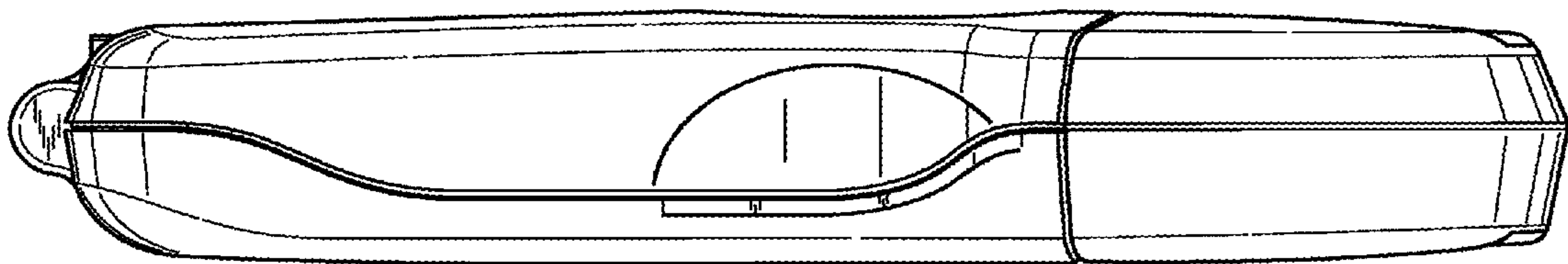




FIG. 6

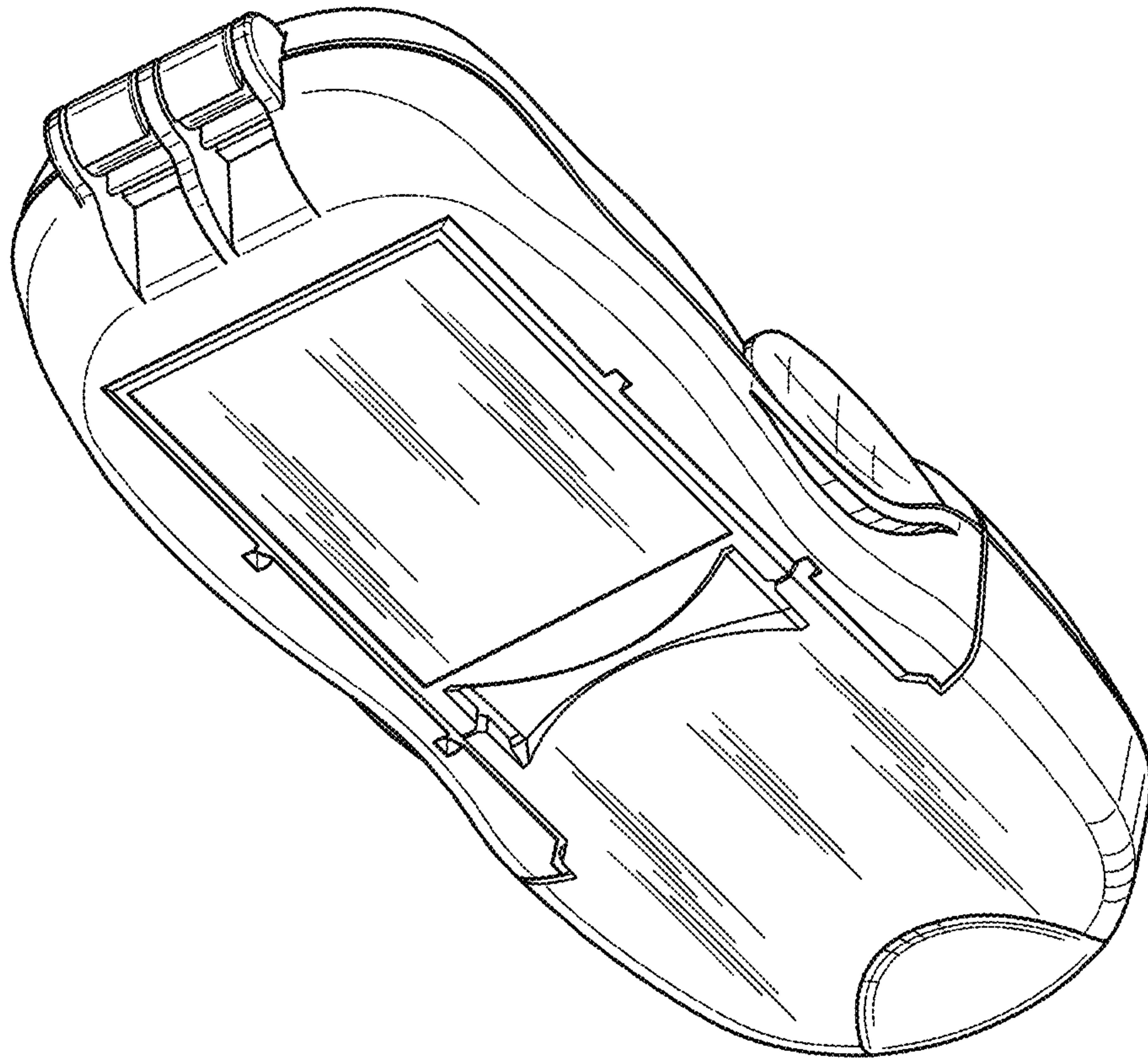


FIG. 7

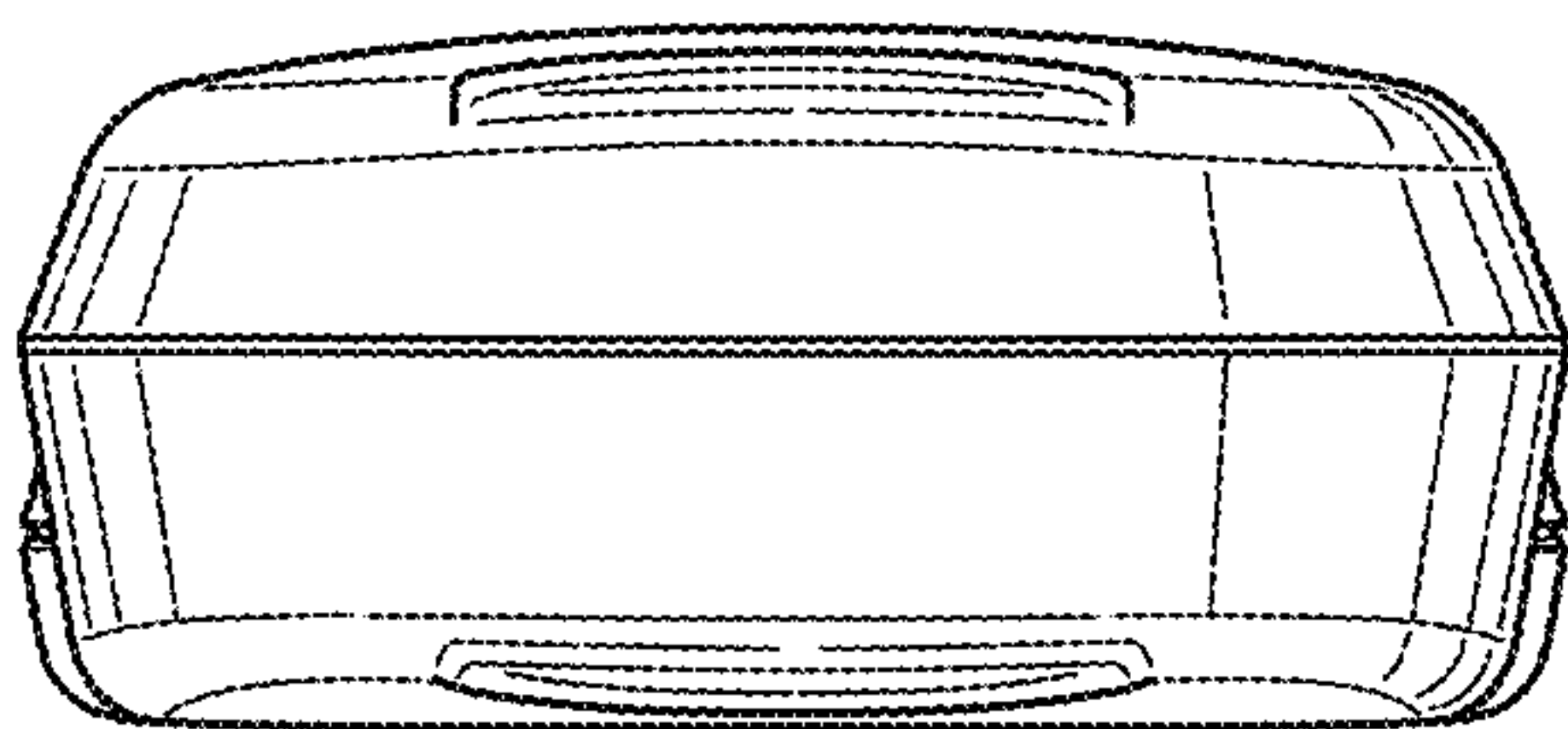


FIG. 8

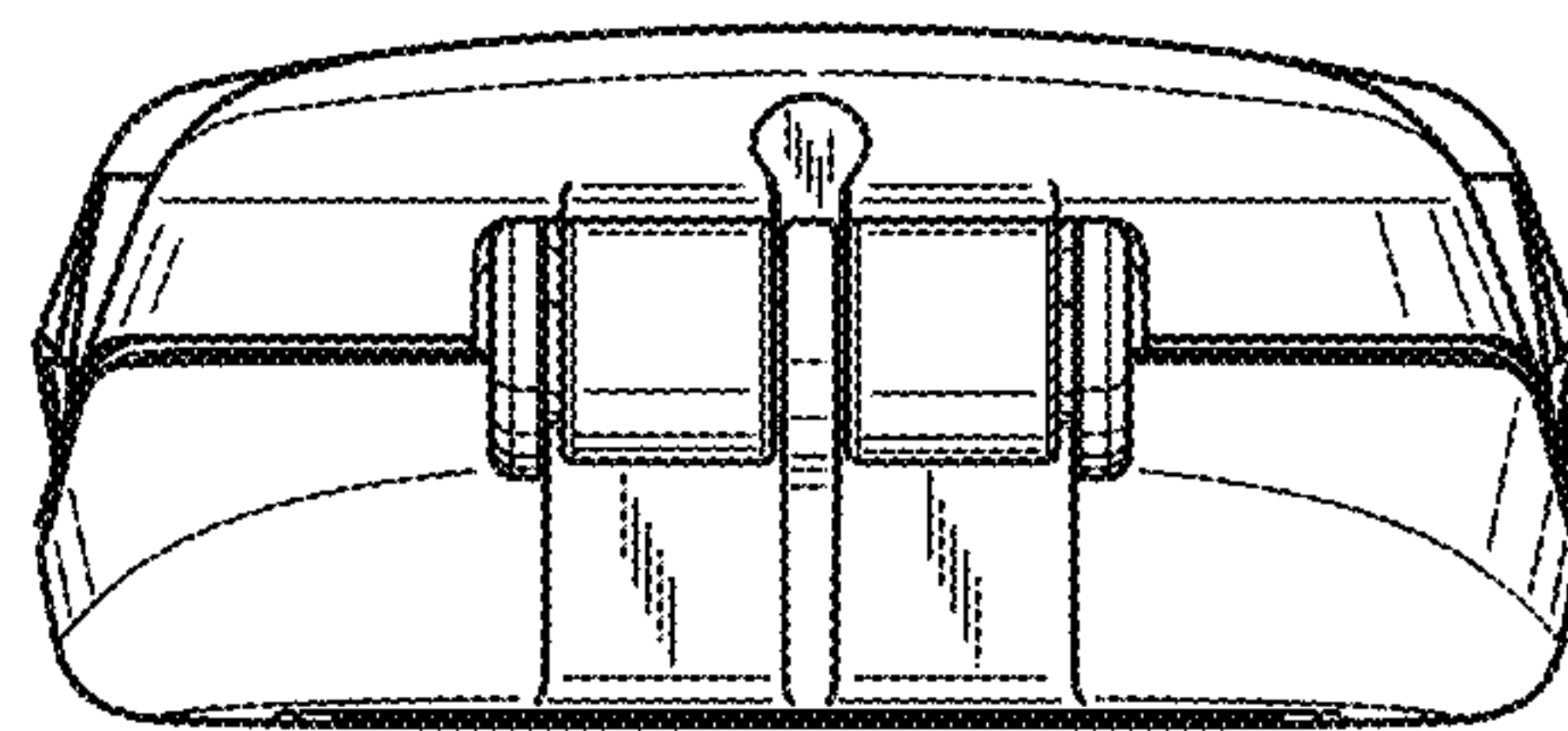


FIG. 9

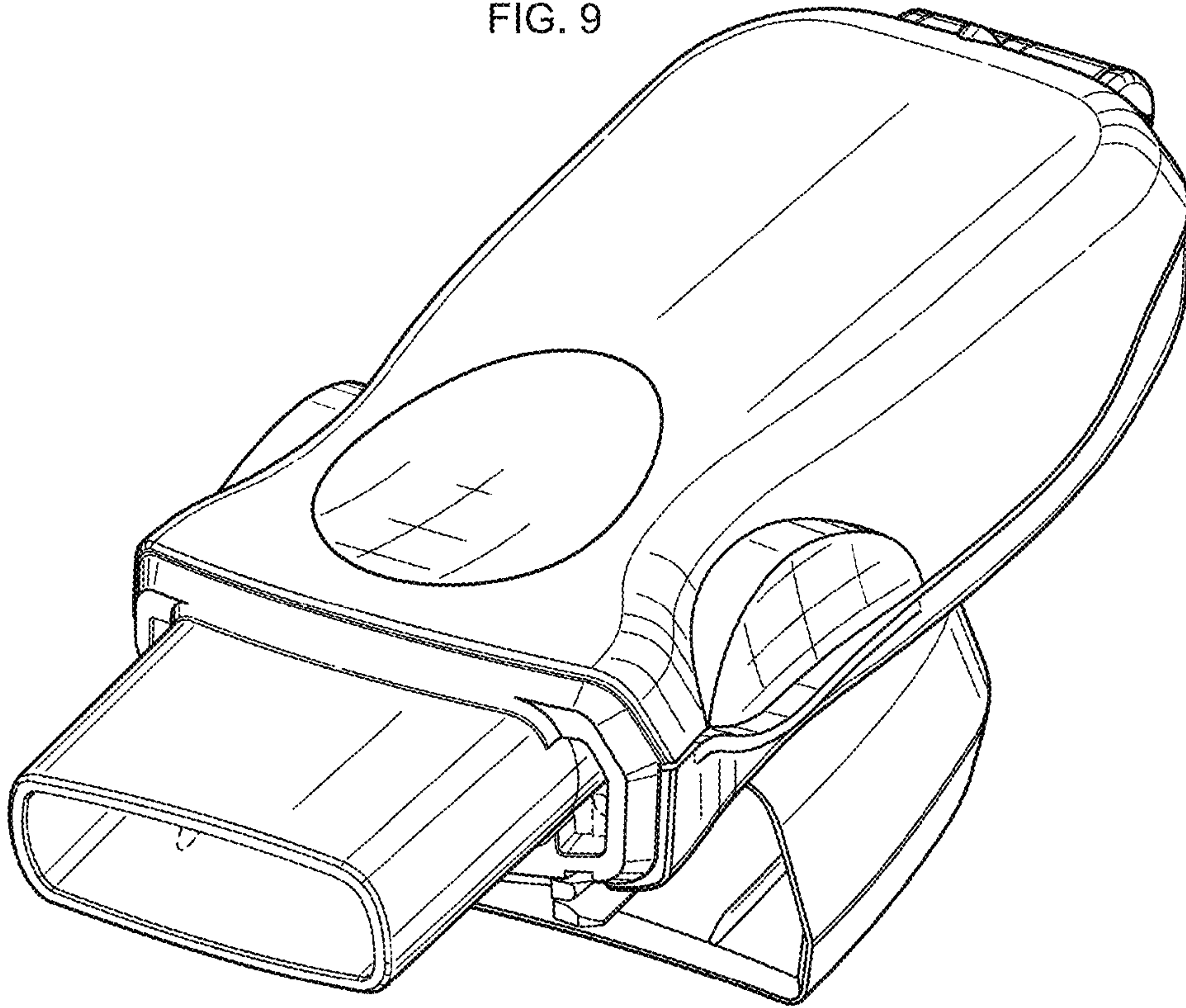


FIG. 10

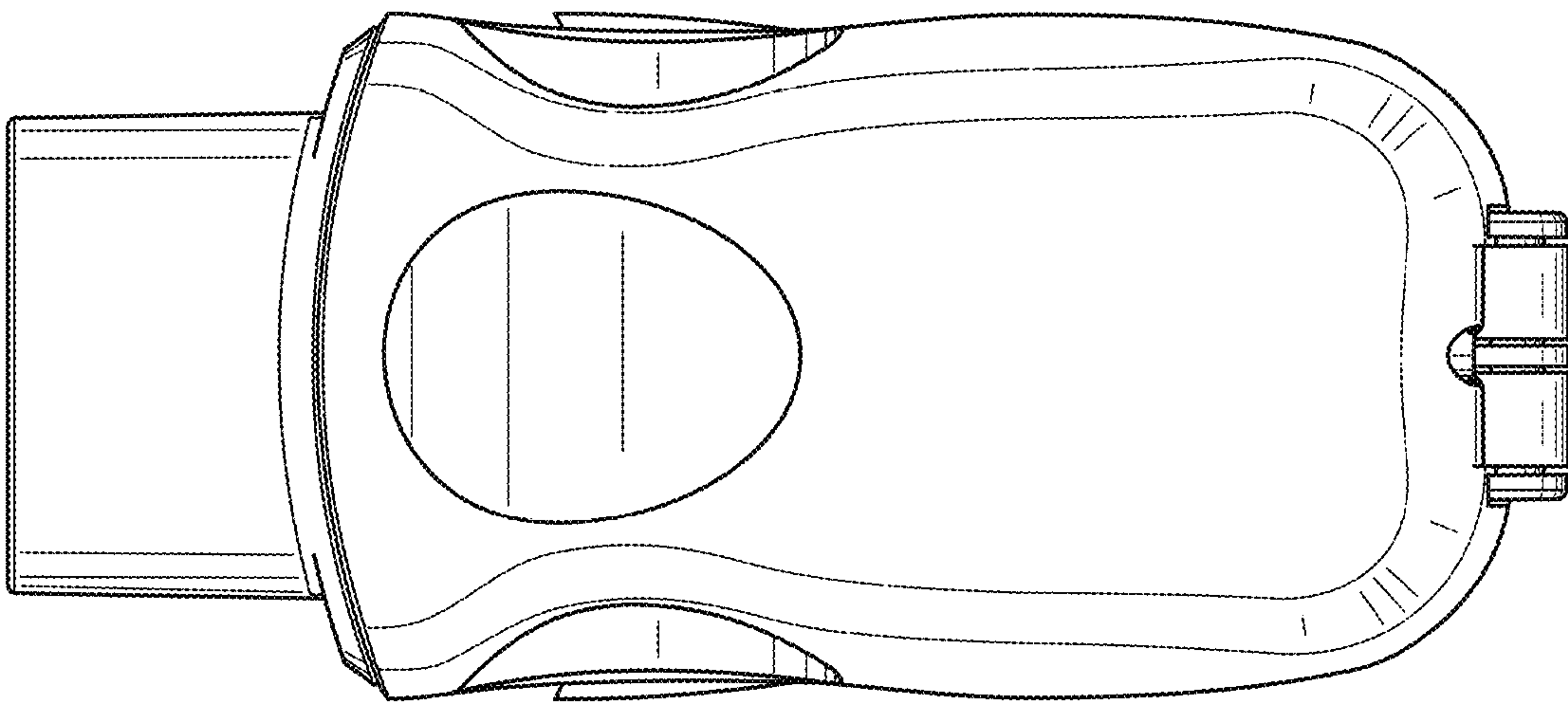


FIG. 11

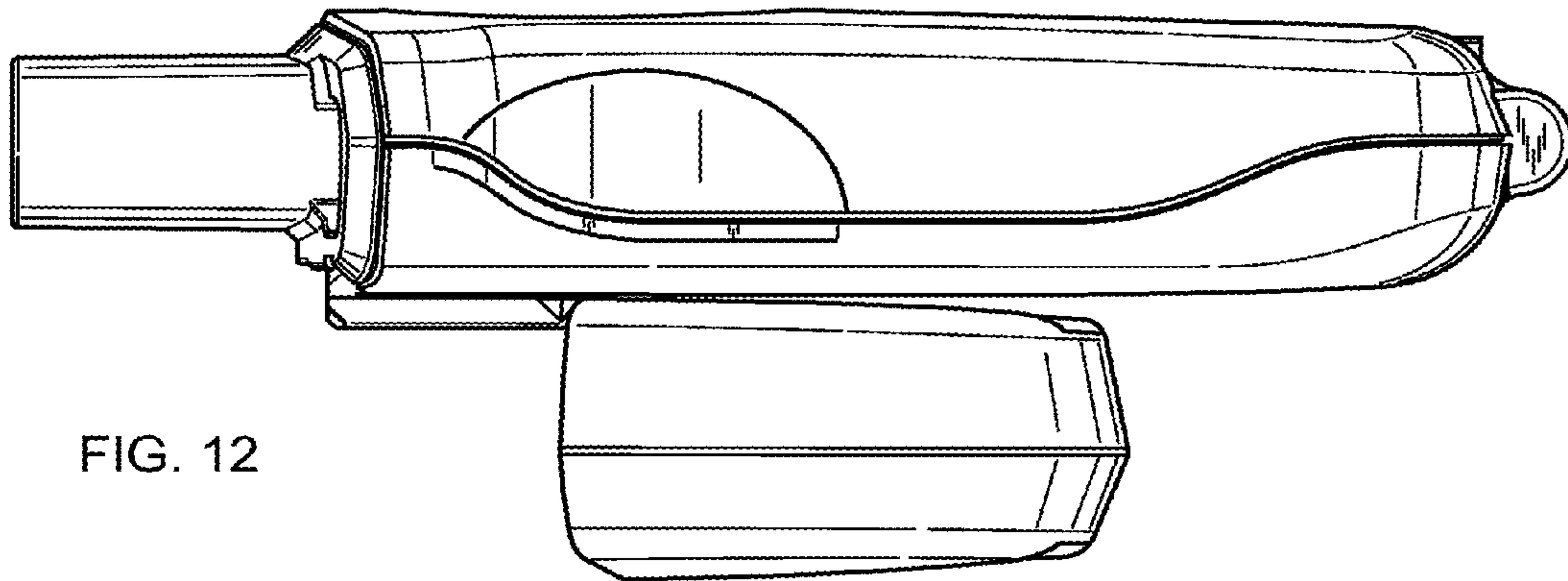
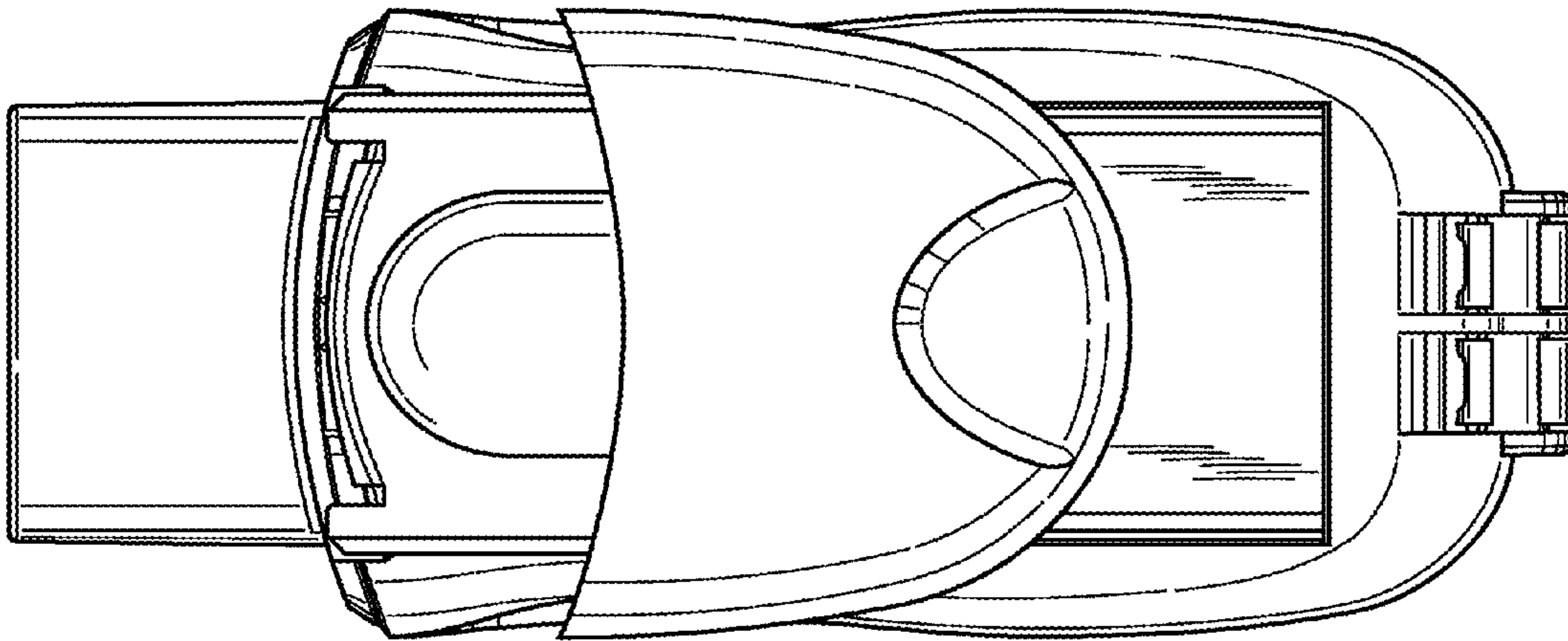


FIG. 12

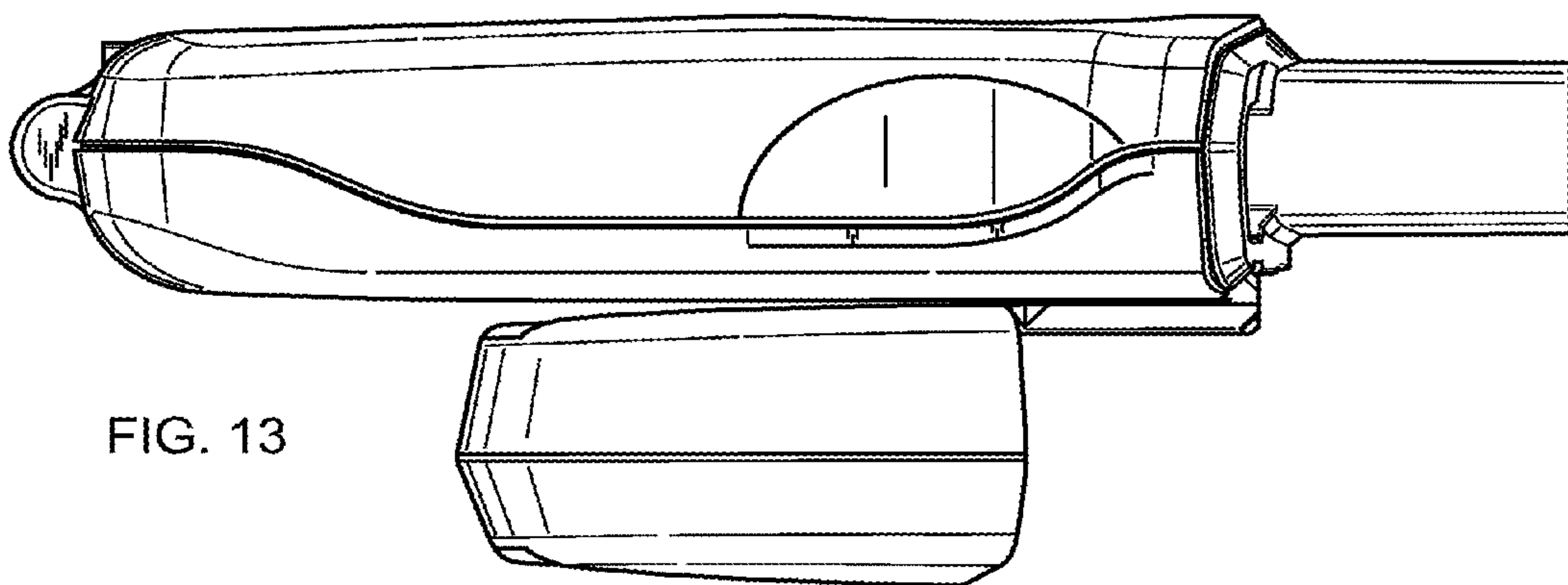


FIG. 13



FIG. 14

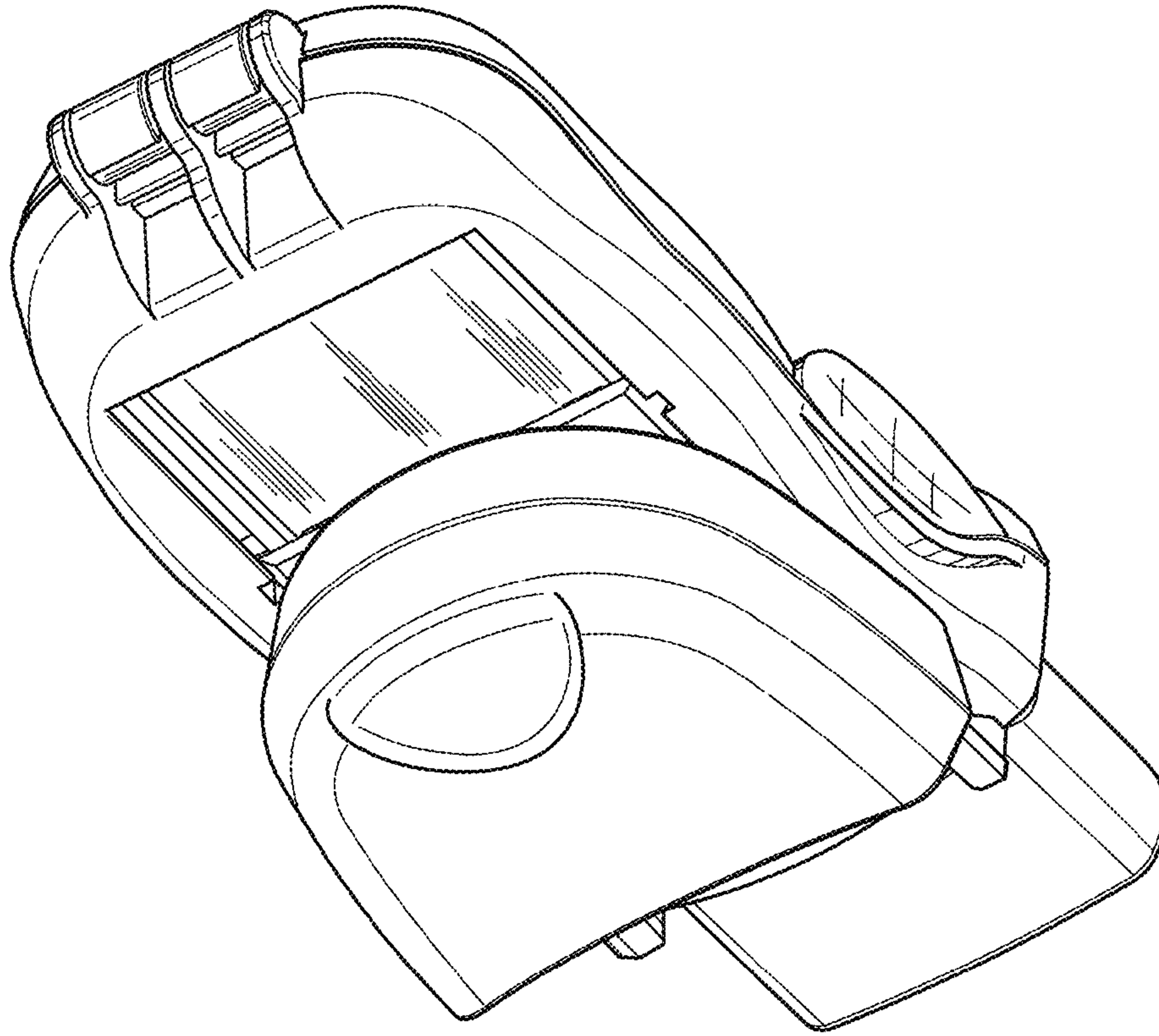


FIG. 15

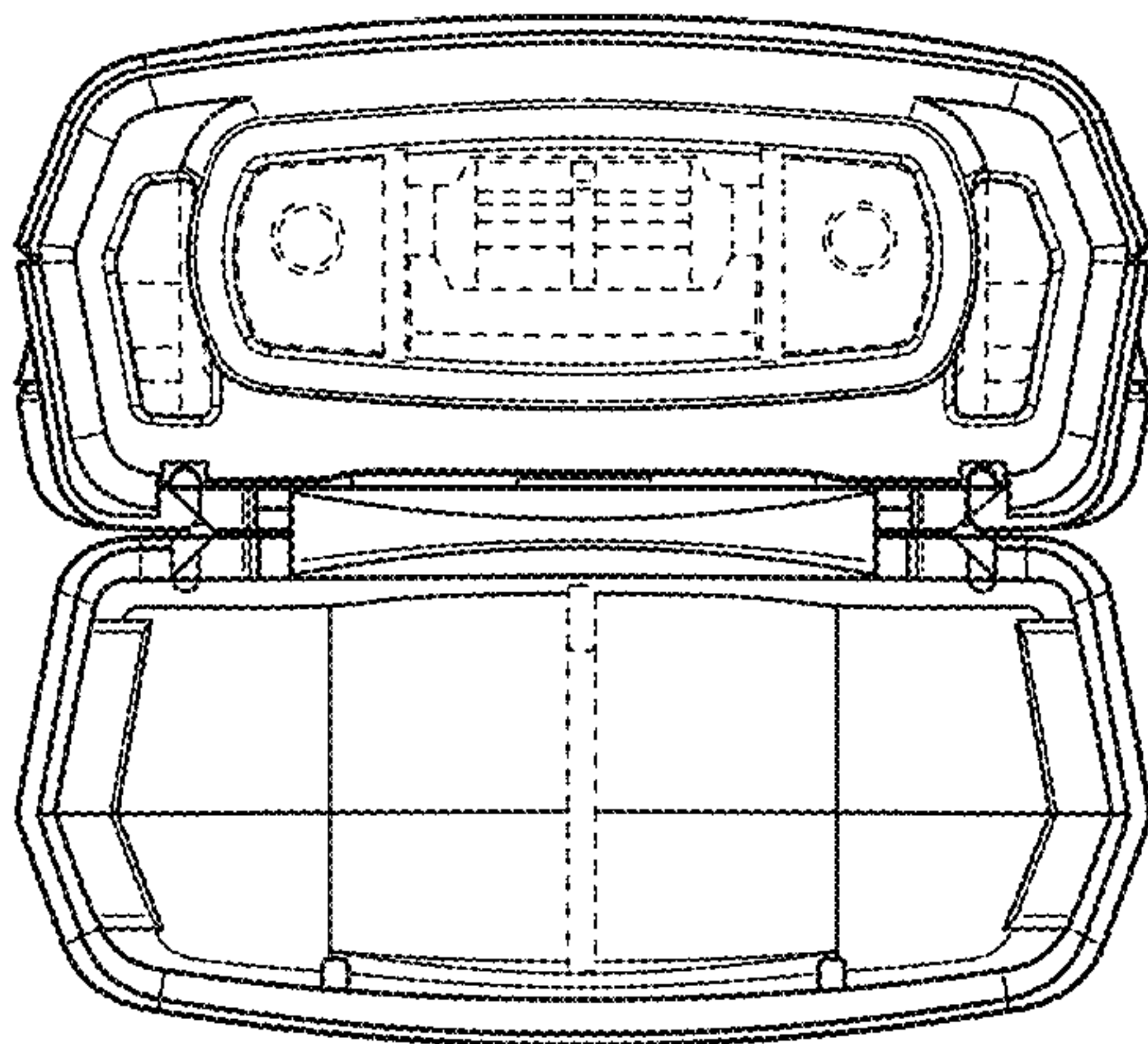


FIG. 16

