

US00D769433S

(12) **United States Design Patent** (10) **Patent No.:** **US D769,433 S**  
**Dingle et al.** (45) **Date of Patent:** **\*\* Oct. 18, 2016**

(54) **VAPOR COMPRESSION DEHUMIDIFIER**

D338,306 S \* 8/1993 White ..... 280/47.18  
5,634,353 A 6/1997 Hallin et al.  
5,901,565 A 5/1999 Morton, Jr.  
D420,473 S \* 2/2000 Shero ..... D32/16  
D444,279 S \* 6/2001 Kristiansen ..... D34/12

(71) Applicant: **TECHNOLOGIES HOLDINGS CORP.**, Houston, TX (US)

(72) Inventors: **Steven S. Dingle**, McFarland, WI (US);  
**James A. Scharping, Jr.**, Madison, WI (US)

(Continued)

(73) Assignee: **Technologies Holdings Corp.**, Houston, TX (US)

FOREIGN PATENT DOCUMENTS

DE 87 07 953 7/1988  
JP 09-089297 A 4/1997  
JP 2002-188827 A 7/2002

(\*\*) Term: **14 Years**

OTHER PUBLICATIONS

(21) Appl. No.: **29/517,359**

Owner's Manual—Phoenix R150 LGR Dehumidifier, Installation, Operation and Service Instructions, Therma-Stor LLC, Phoenix™ Restoration Equipment, Jan. 2012.

(22) Filed: **Feb. 12, 2015**

(Continued)

**Related U.S. Application Data**

(62) Division of application No. 29/420,875, filed on May 14, 2012.

(51) **LOC (10) Cl.** ..... **23-04**

(52) **U.S. Cl.**  
USPC ..... **D23/359**

(58) **Field of Classification Search**  
USPC ..... D23/359, 364, 355, 356, 360, 386, 366,  
D23/369, 332, 333, 335, 342, 351, 365;  
D14/188, 170, 172; D18/34.6; D34/24;  
D32/21; 422/120, 122; 55/356, 473,  
55/504; 96/97; 261/DIG. 17, DIG. 65,  
261/DIG. 88, DIG. 31; 62/90, 92, 185, 272,  
62/285, 292

CPC .. F24F 3/1423; F24F 11/0012; B01D 53/261  
See application file for complete search history.

*Primary Examiner* — David Muller

*Assistant Examiner* — Nathan Johnston

(74) *Attorney, Agent, or Firm* — Baker Botts L.L.P.

(56) **References Cited**

U.S. PATENT DOCUMENTS

2,438,120 A 3/1948 Freygang  
2,682,758 A 7/1954 Harris  
4,250,629 A 2/1981 Lewis

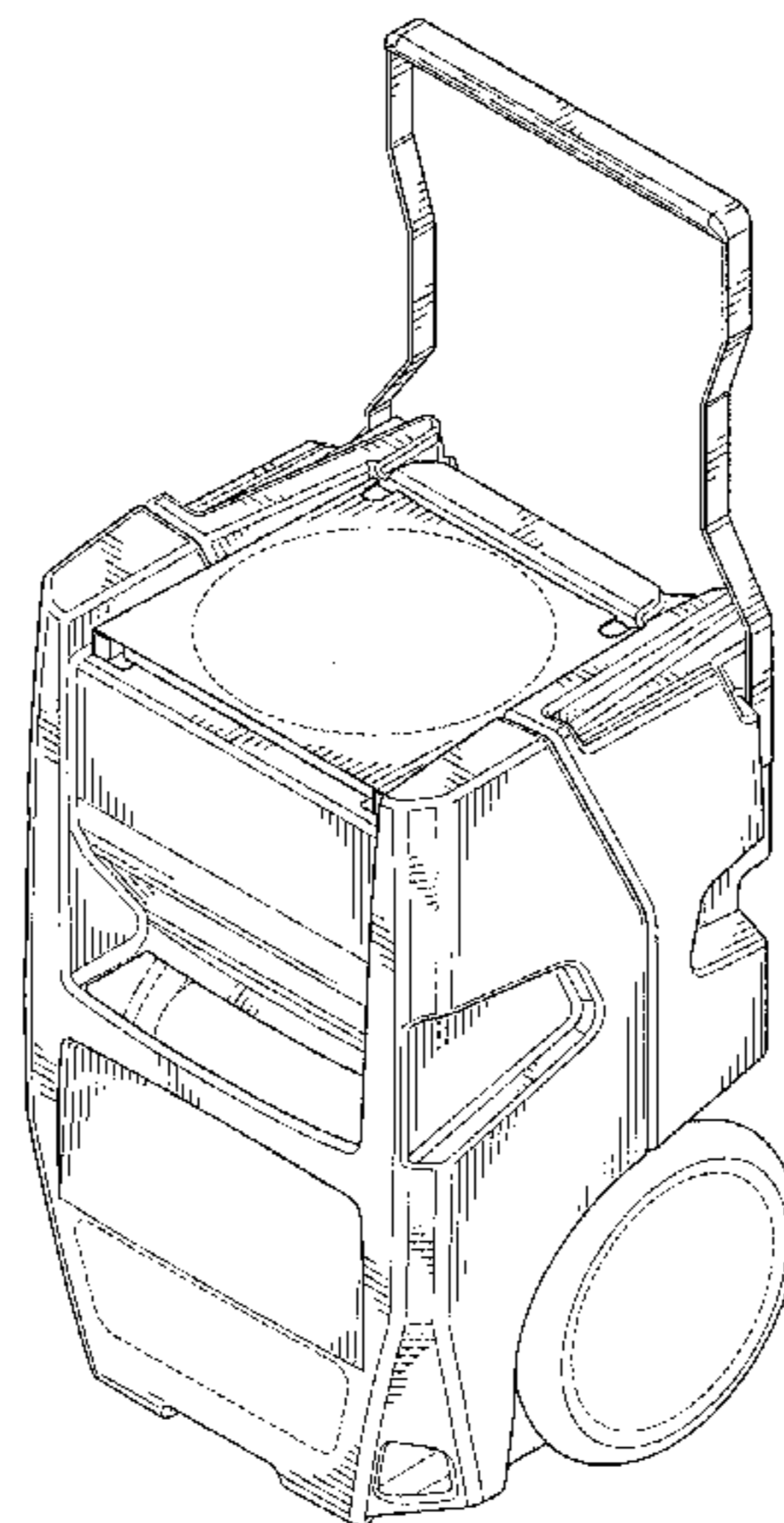
(57) **CLAIM**

The ornamental design for a vapor compression dehumidifier, as shown and described.

**DESCRIPTION**

FIG. 1 is a perspective view of the vapor compression dehumidifier;  
FIG. 2 is a front elevation view thereof;  
FIG. 3 is a left side elevation view thereof;  
FIG. 4 is a right side elevation view thereof;  
FIG. 5 is a rear elevation view thereof;  
FIG. 6 is a top view plan view thereof; and,  
FIG. 7 is a bottom view plan view thereof.  
The broken line showing a vapor compression dehumidifier is included for the purpose of illustrating portions of the "article" and forms no part of the claimed design.

**1 Claim, 6 Drawing Sheets**



(56)

References Cited

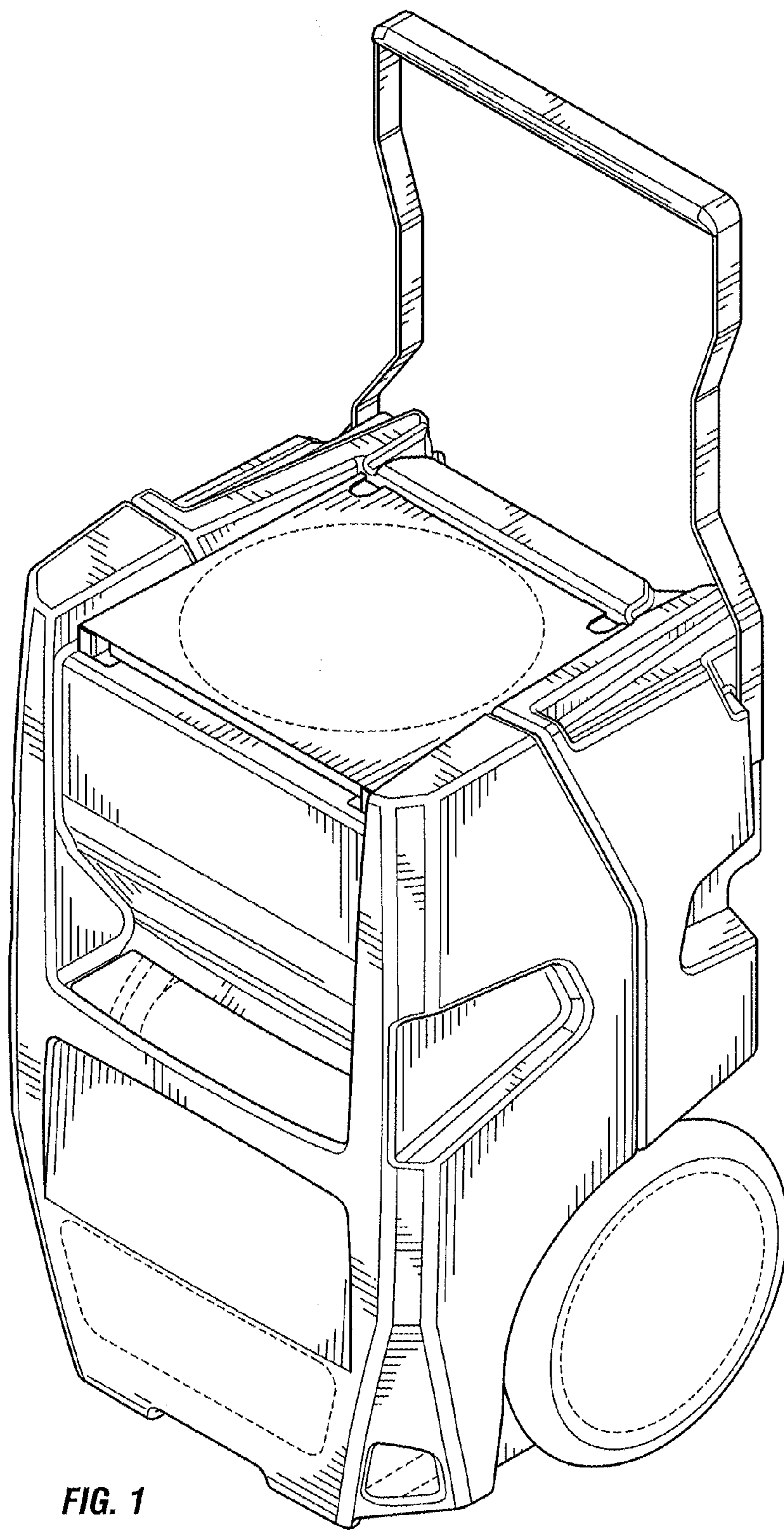
OTHER PUBLICATIONS

U.S. PATENT DOCUMENTS

D508,735 S \* 8/2005 Klein ..... D23/359  
7,194,870 B1 3/2007 O'Brien et al.  
7,246,503 B1 7/2007 O'Brien et al.  
7,281,389 B1 10/2007 O'Brien et al.  
D556,250 S \* 11/2007 Kent ..... D18/34.6  
D577,800 S \* 9/2008 Yoon ..... D23/359  
D581,111 S \* 11/2008 DiPasquale ..... D32/21  
D587,868 S \* 3/2009 DiPasquale ..... D32/21  
7,540,166 B2 6/2009 O'Brien et al.  
7,779,643 B2 8/2010 Simons  
D634,414 S \* 3/2011 Wolfe ..... D23/359  
D655,873 S \* 3/2012 Jin ..... D32/21  
D660,529 S \* 5/2012 Dammkoehler ..... D32/21  
D678,494 S \* 3/2013 Wolfe ..... D23/359  
D712,605 S \* 9/2014 Dammkoehler ..... D32/21

Phoenix R150 Small Size, "Large" Performance, Phoenix™ Restoration Equipment, Sep. 2011.  
Canadian IP Office, Application for Registration of an Industrial Design, Examiner's Report, Application No. 147567, Mar. 12, 2013.  
Australian Government, IP Australia, Report regarding Registration No. 345624, Dec. 6, 2012.  
Paintsquare News, "Quest Launches Portable DH Unti," one page, Jan. 30, 2013.  
General Tool Products, "Quest Portable Climate Control Equipment dehumidifier," one page, Mar. 5, 2012.

\* cited by examiner



**FIG. 1**

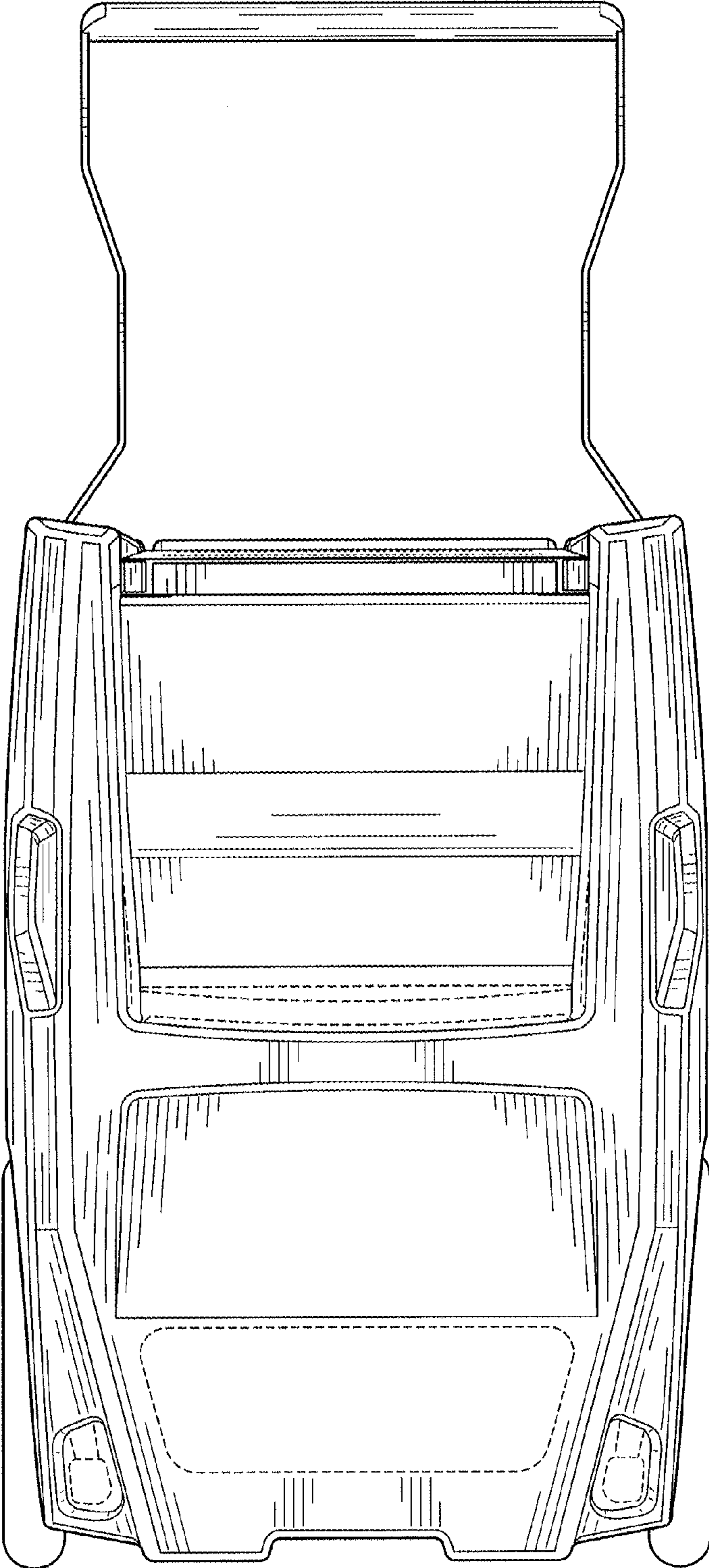
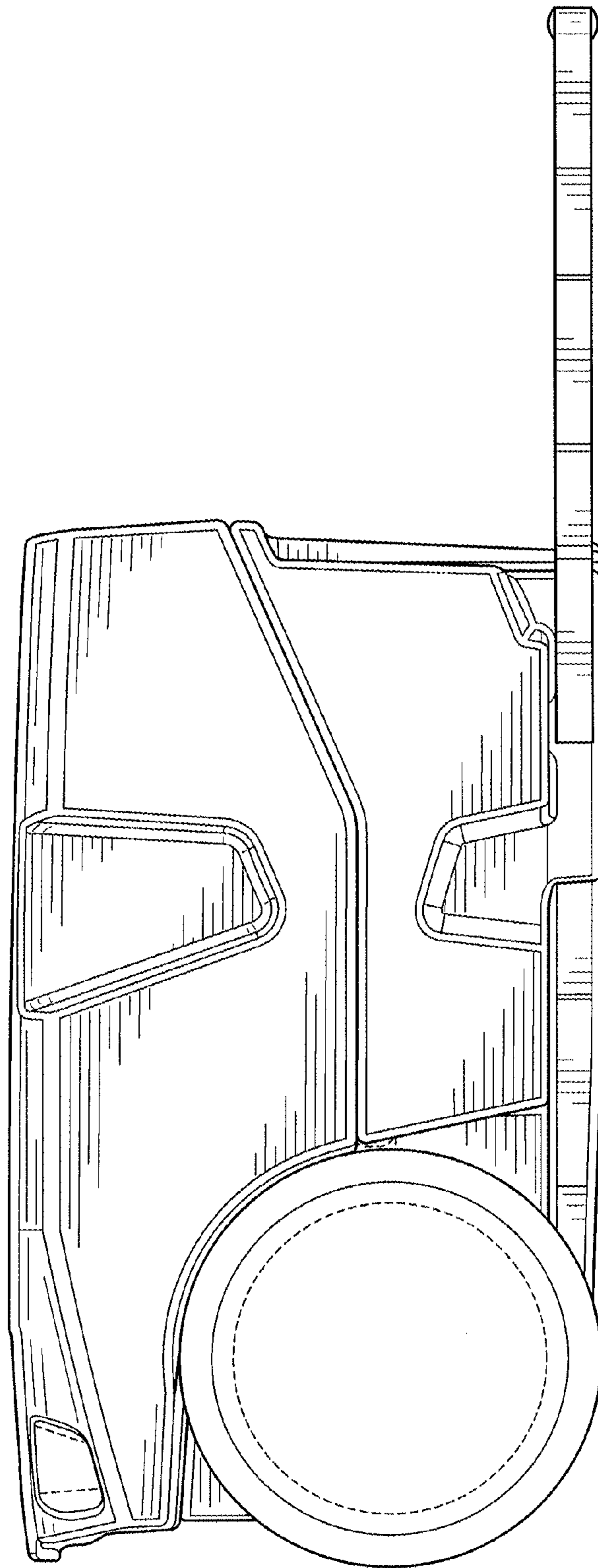


FIG. 2



**FIG. 3**

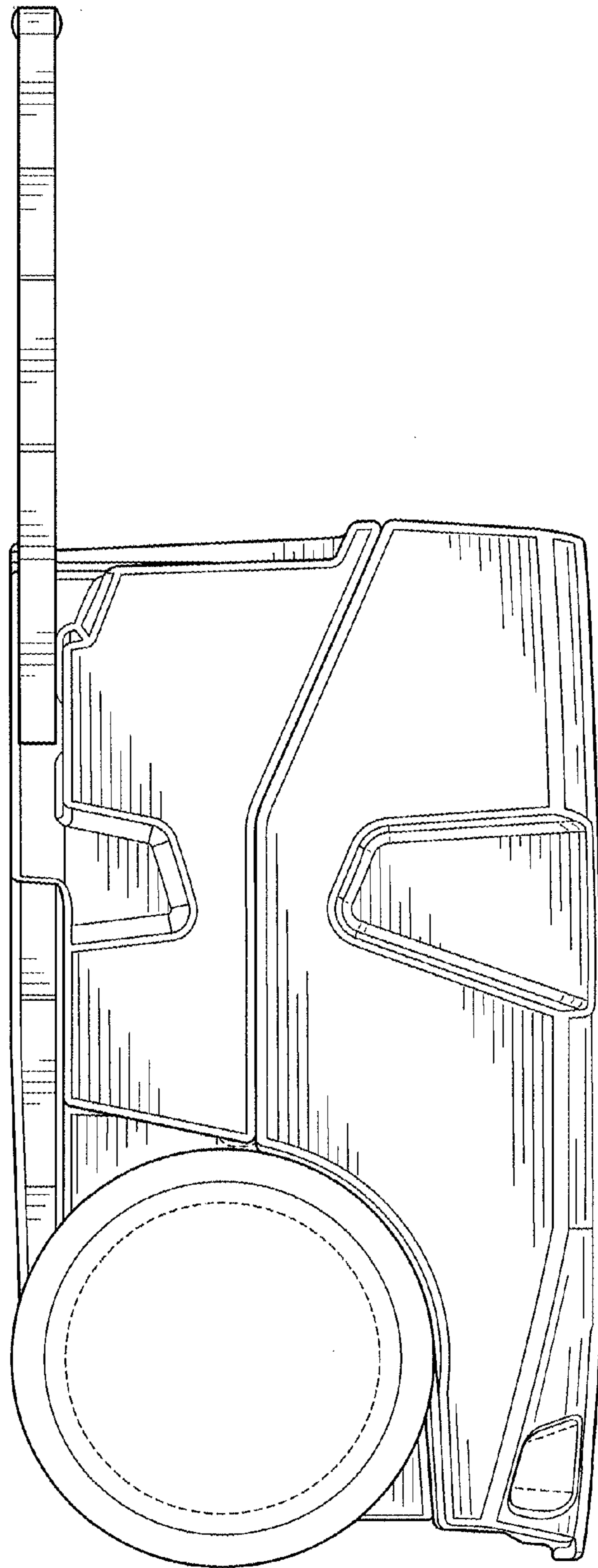


FIG. 4

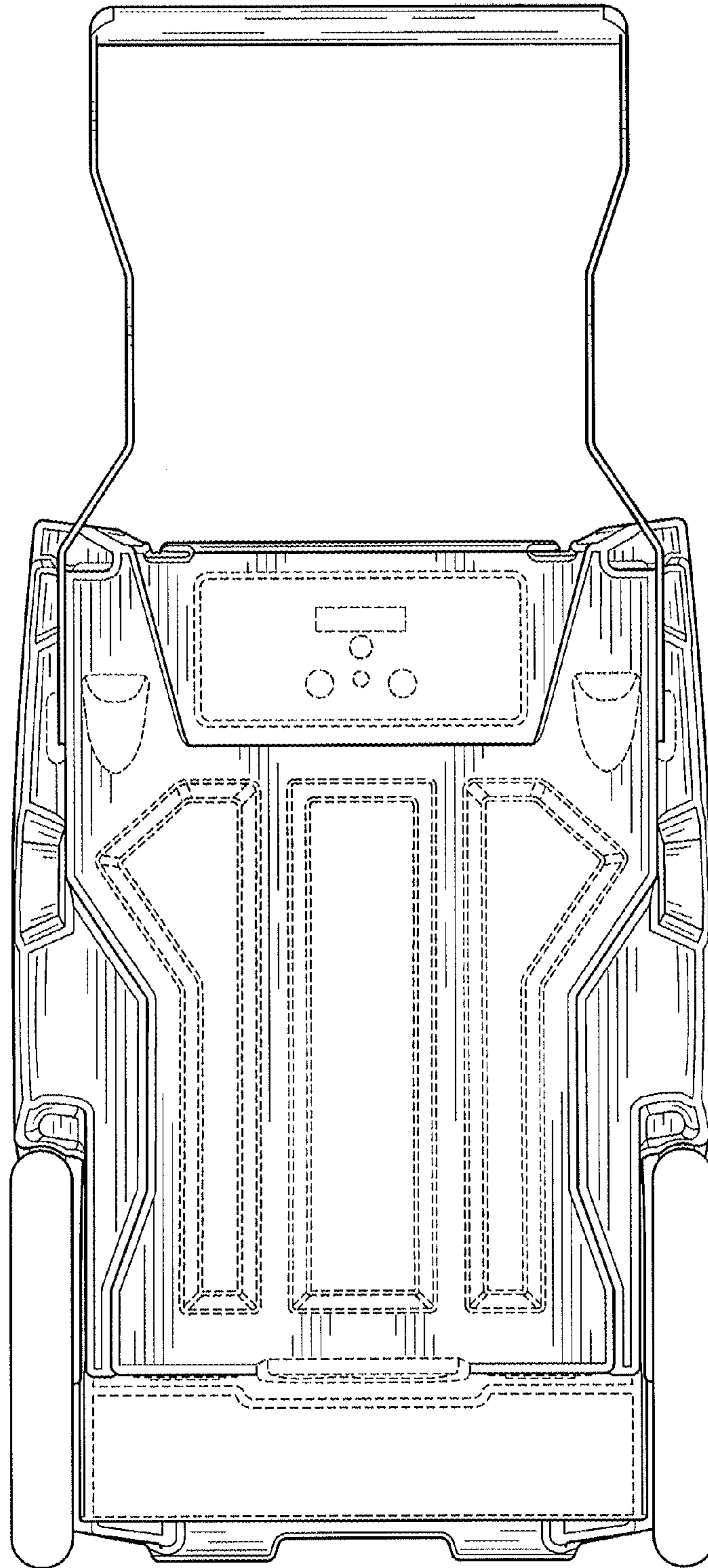


FIG. 5

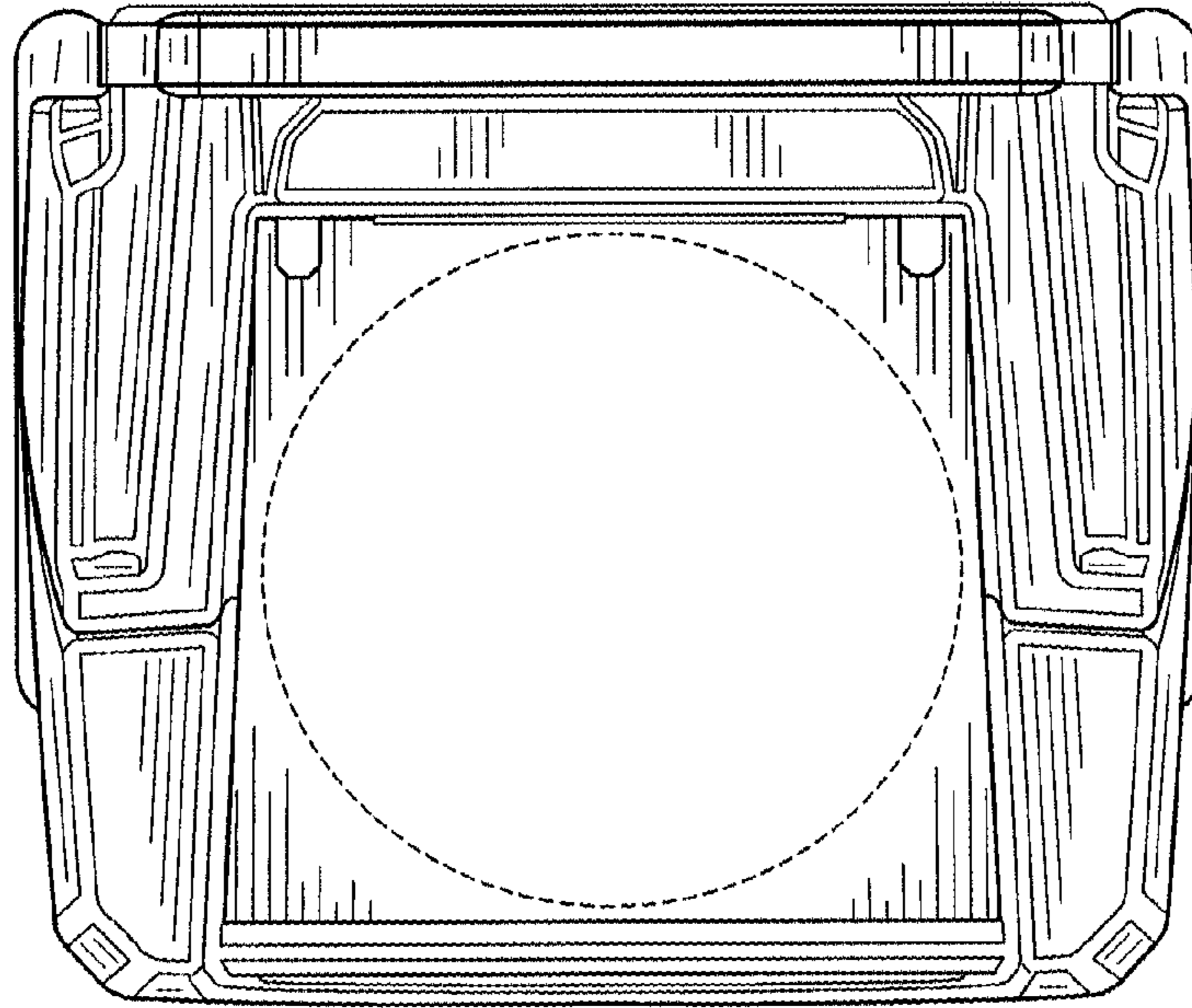


FIG. 6

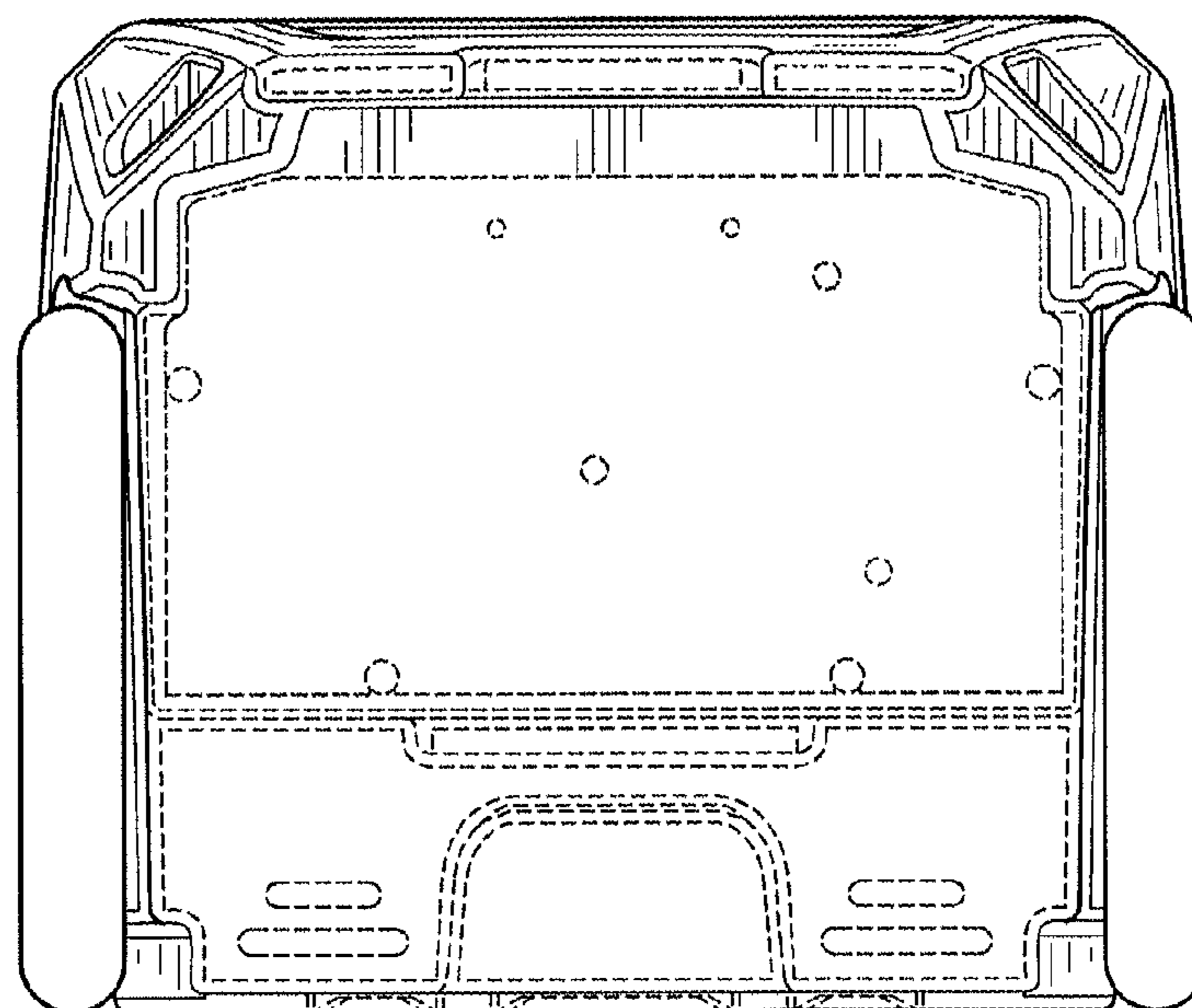


FIG. 7