



US00D769431S

(12) **United States Design Patent**
Lopez

(10) **Patent No.:** **US D769,431 S**
(45) **Date of Patent:** **** Oct. 18, 2016**

(54) **VEHICULAR PORTABLE ELECTRIC HEATER AND WINDOW DEFROSTER KIT**

(71) Applicant: **Louis Lopez**, Lindenhurst, NY (US)

(72) Inventor: **Louis Lopez**, Lindenhurst, NY (US)

(**) Term: **14 Years**

(21) Appl. No.: **29/524,078**

(22) Filed: **Apr. 16, 2015**

(51) **LOC (10) Cl.** **12-16**

(52) **U.S. Cl.**
USPC **D23/324**

(58) **Field of Classification Search**
USPC D23/324, 326, 325, 314; 219/202;
237/12.3 A
CPC B60H 1/00; B60H 1/03; B60H 1/00264;
B60H 1/0025
See application file for complete search history.

(56) **References Cited**

U.S. PATENT DOCUMENTS

- 3,331,940 A * 7/1967 Reid, Jr. B60H 1/00264
165/129
- 4,847,468 A * 7/1989 Hufstetler B60H 1/00264
165/41
- 4,874,921 A * 10/1989 Gerbig, Jr. B60H 1/00264
219/202
- D325,250 S * 4/1992 Kloster D23/326

- 5,463,203 A 10/1995 Moore
- 5,781,695 A * 7/1998 Summers B60H 1/00264
219/202
- 5,787,228 A 7/1998 Fiely et al.

* cited by examiner

Primary Examiner — T. Chase Nelson

Assistant Examiner — Ania Aman

(74) *Attorney, Agent, or Firm* — Crossley & Stevenson
Intellectual Property Law

(57) **CLAIM**

The ornamental design for a vehicular portable electric heater and window defroster kit, as shown and described.

DESCRIPTION

FIG. 1 is a front elevation view of a vehicular portable electric heater and window defroster kit showing my new design, the portable electric heater and the window defroster separated for clarity;

FIG. 2 is a rear elevation view thereof;

FIG. 3 is a right side elevation view thereof;

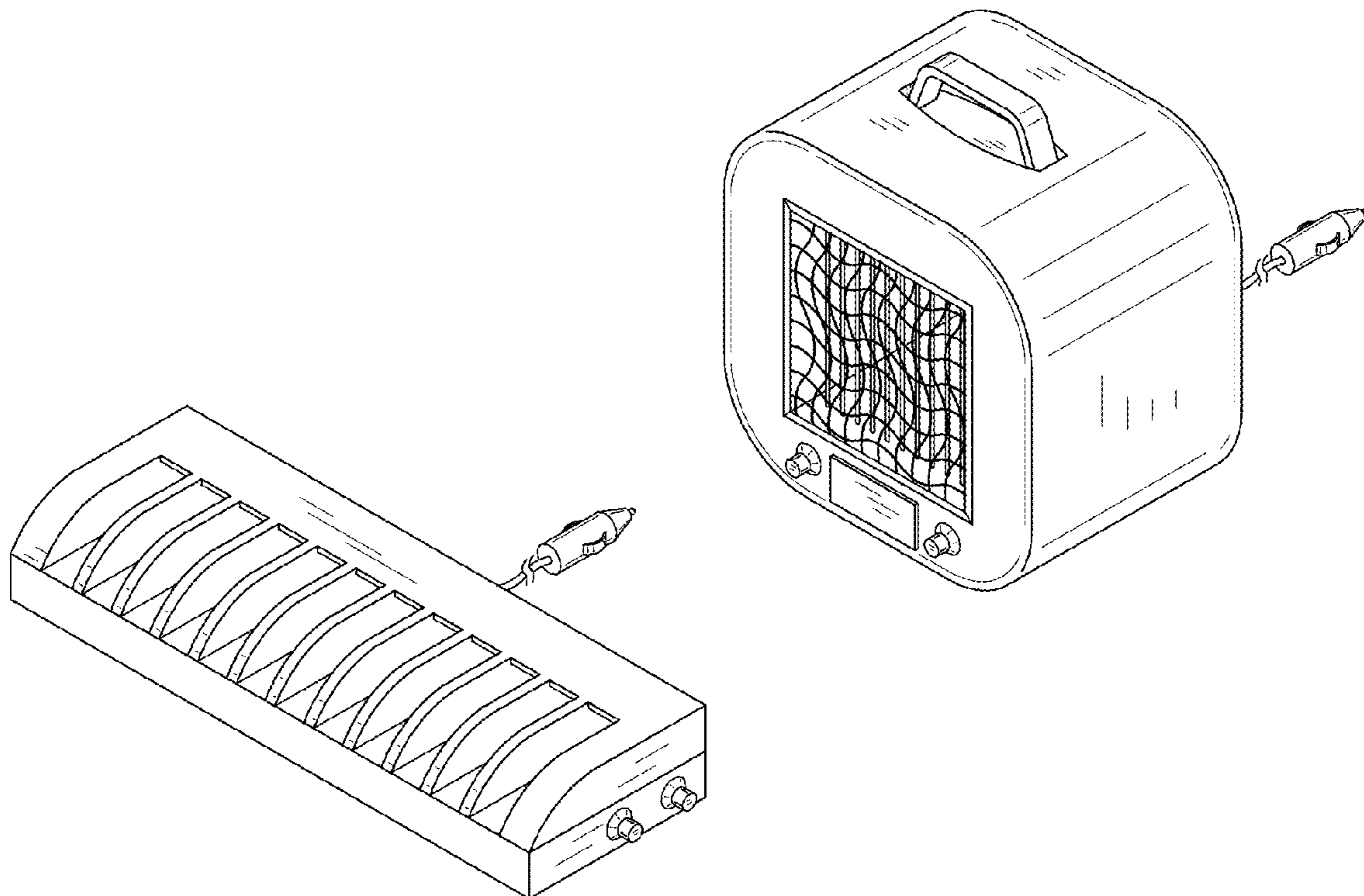
FIG. 4 is a left side elevation view thereof;

FIG. 5 is a top plan view thereof;

FIG. 6 is a bottom plan view thereof; and,

FIG. 7 is an isometric view thereof. The broken away symbols in the drawings indicate that any portion of the article beyond what is shown forms no part of the claimed design. The broken lines in the drawings depict environmental subject matter only and form no part of the claimed design.

1 Claim, 7 Drawing Sheets



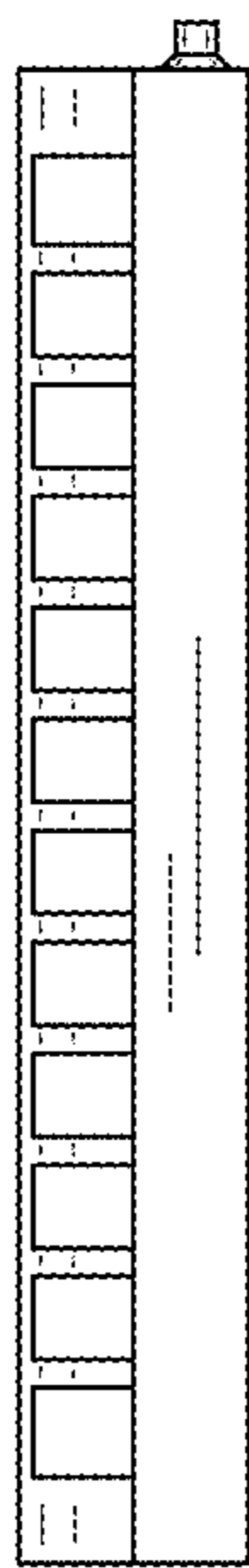
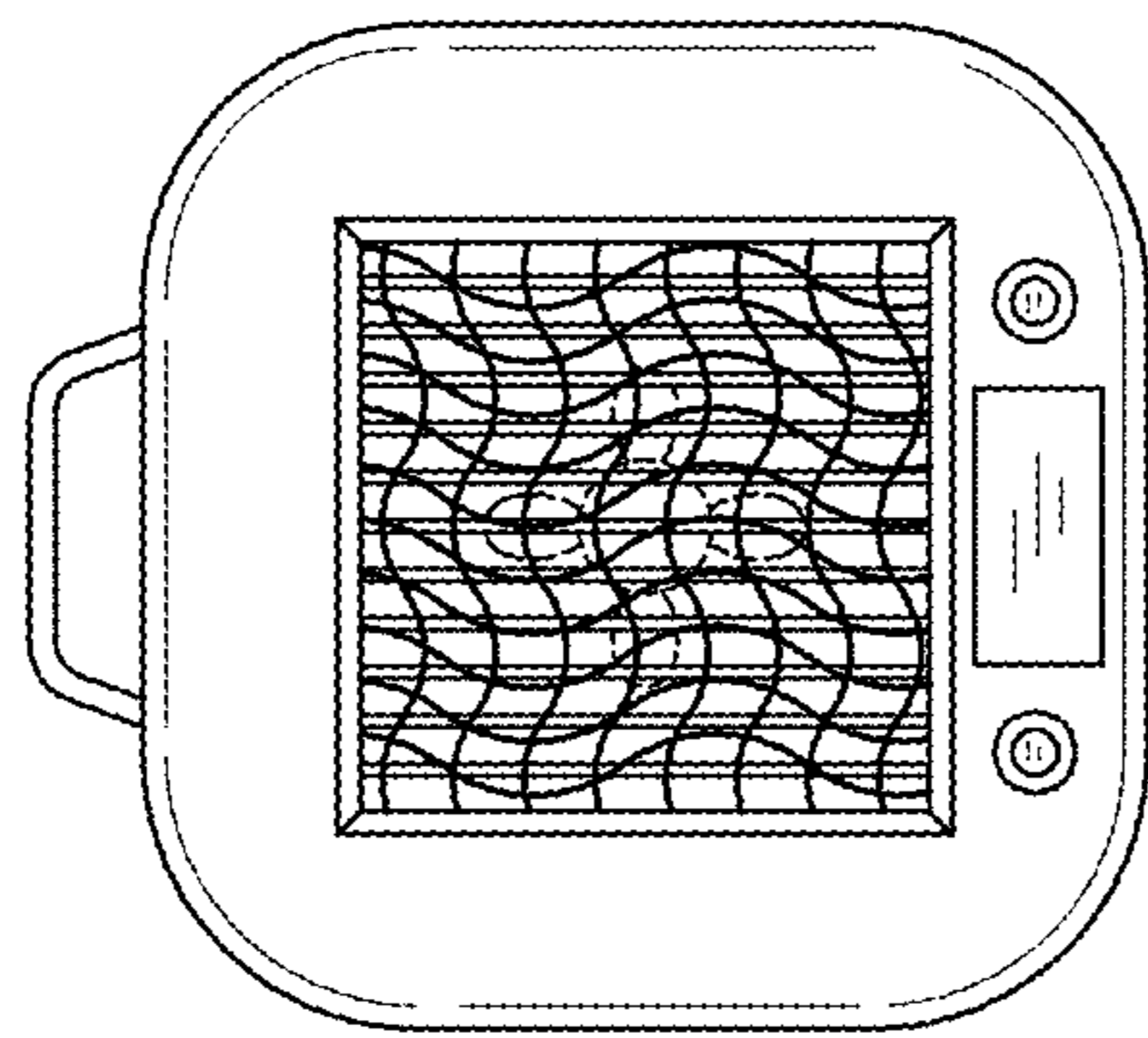


FIG. 1

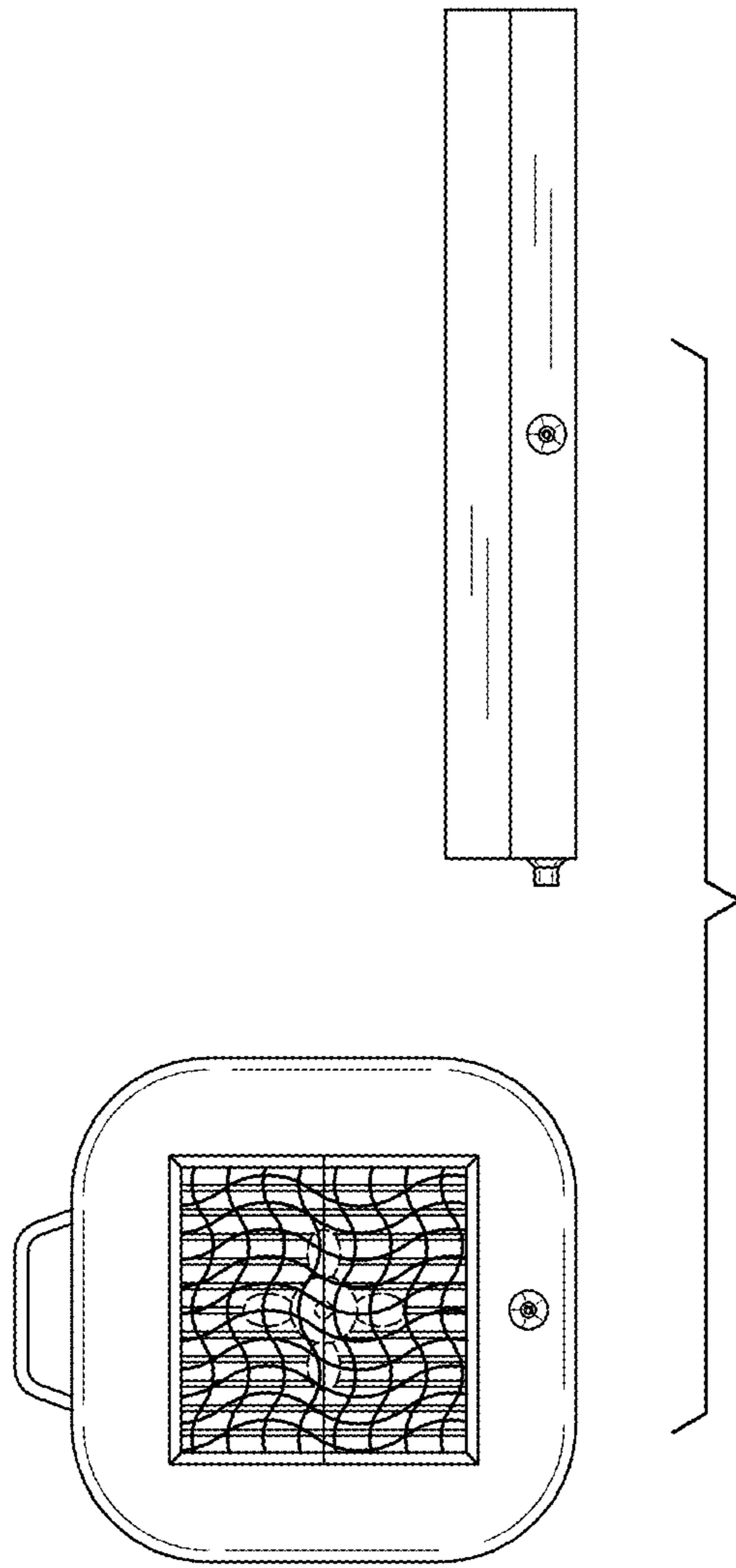


FIG. 2

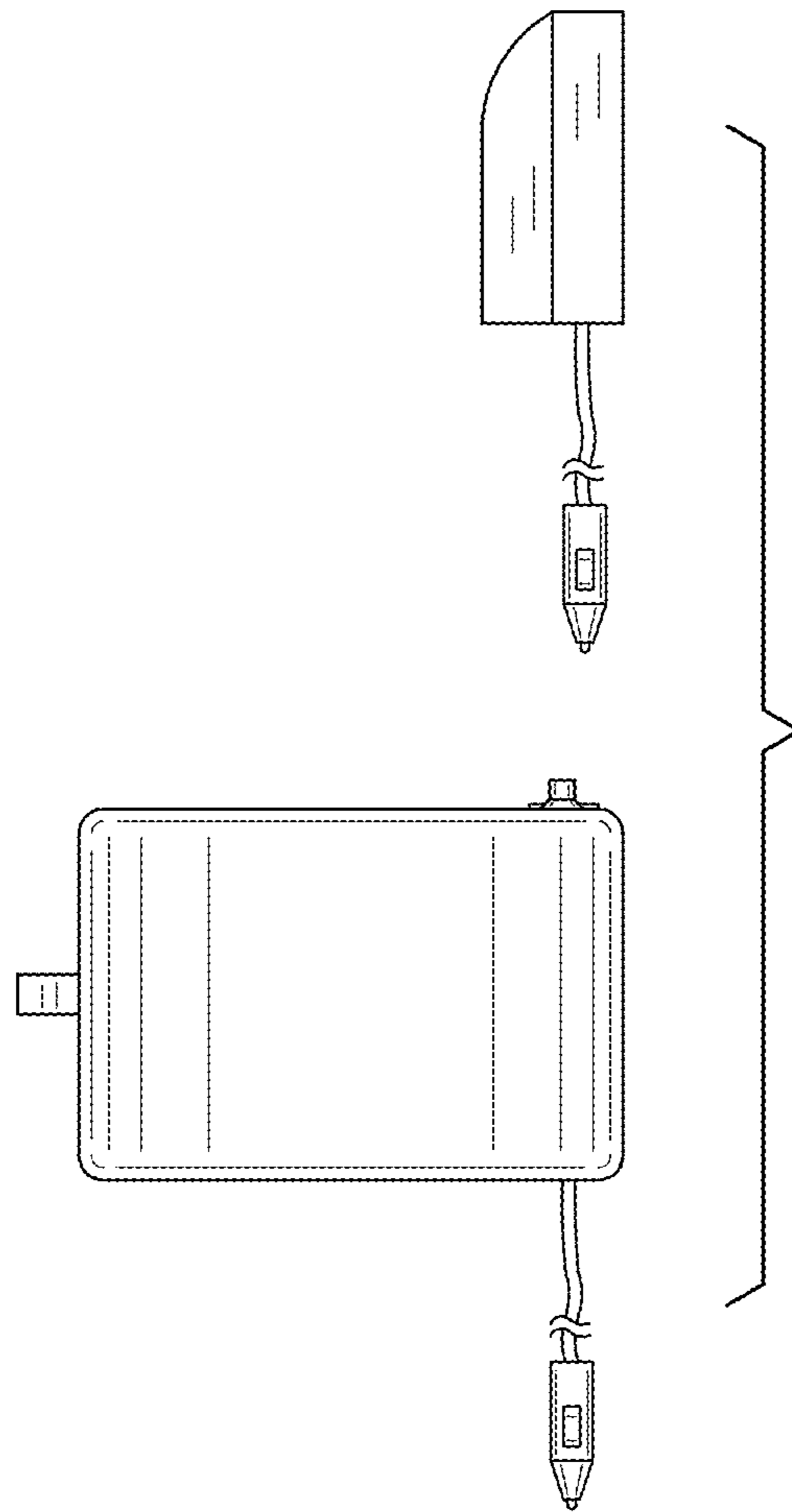


FIG. 3

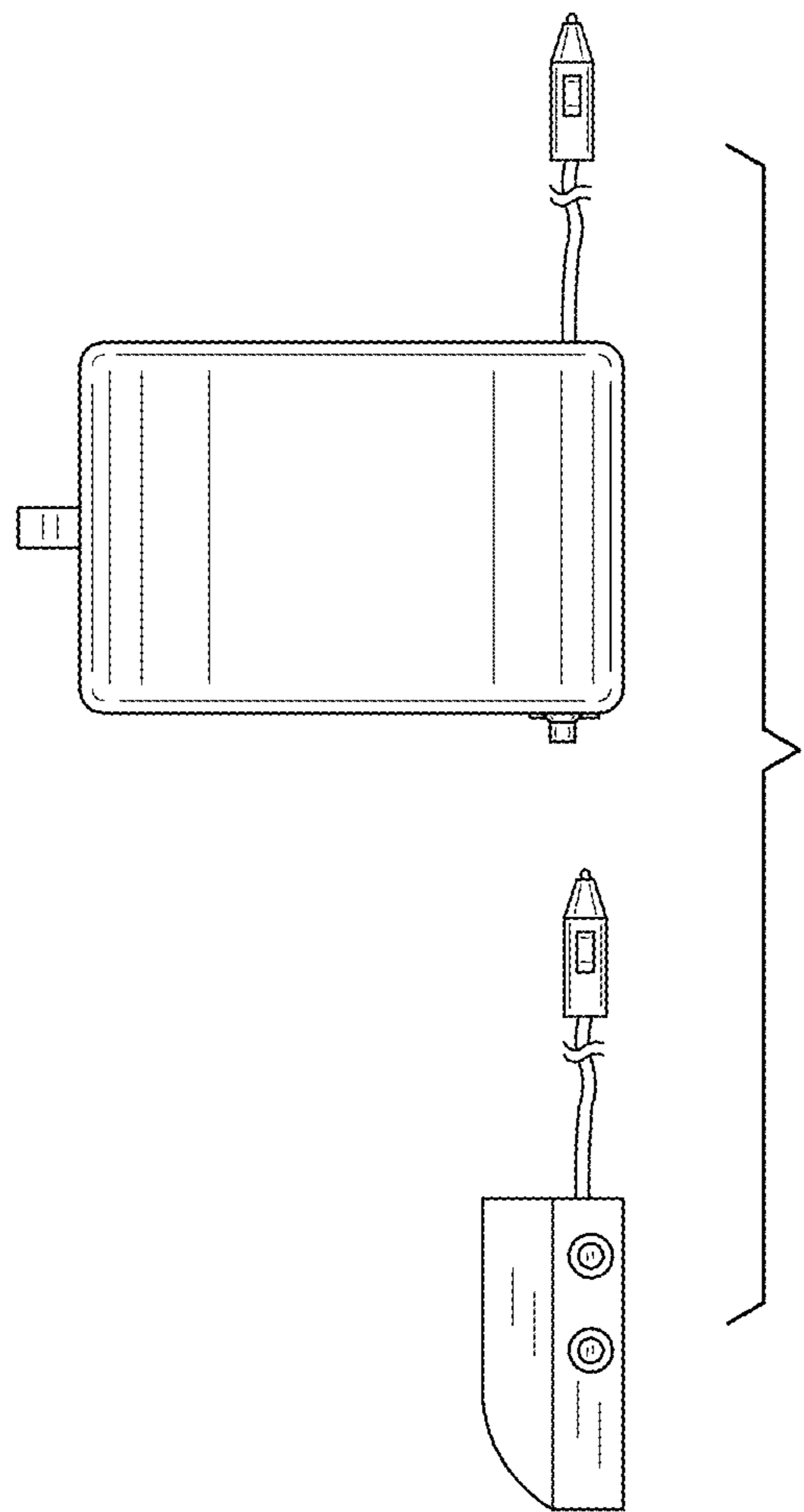


FIG. 4

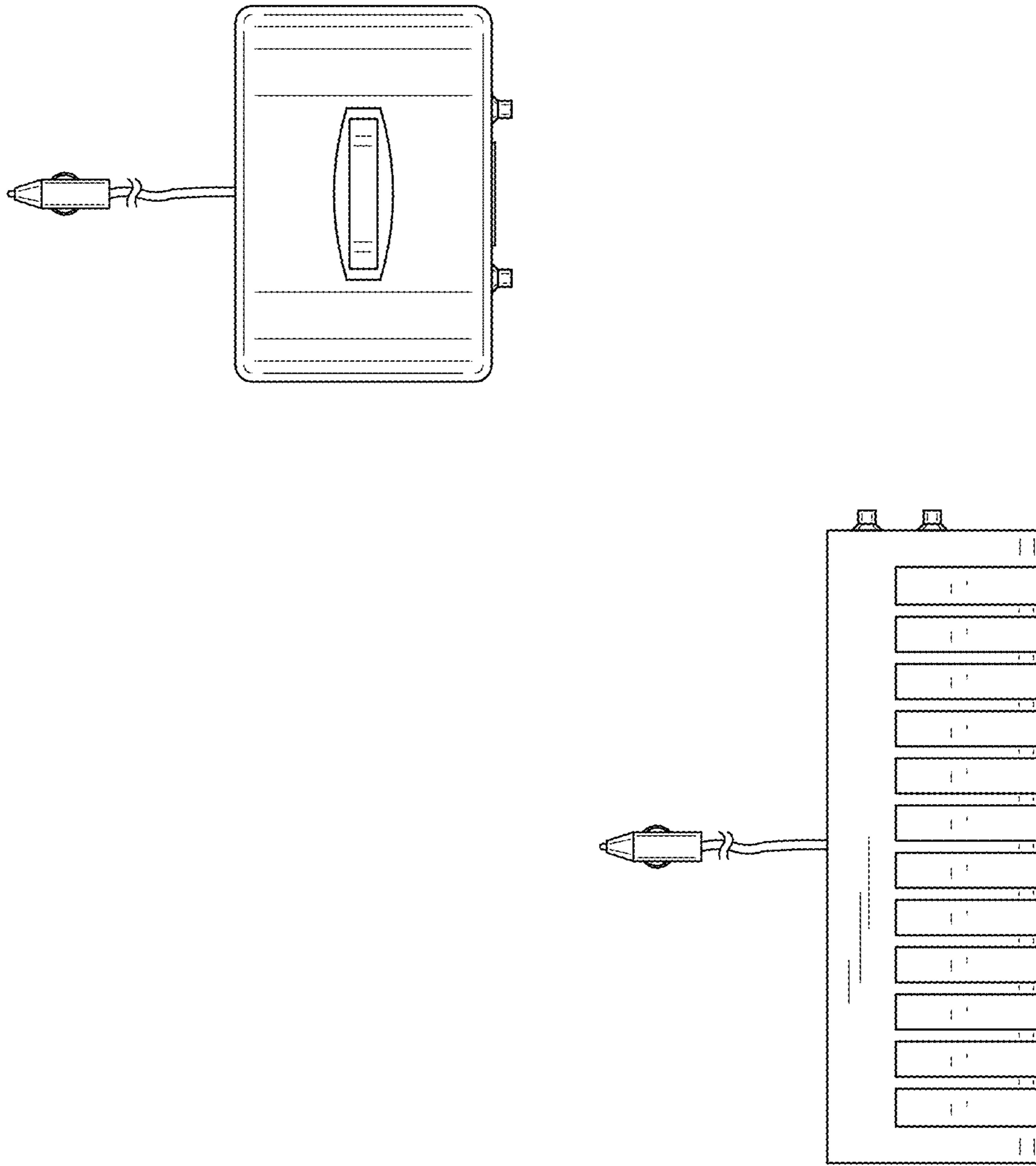


FIG. 5

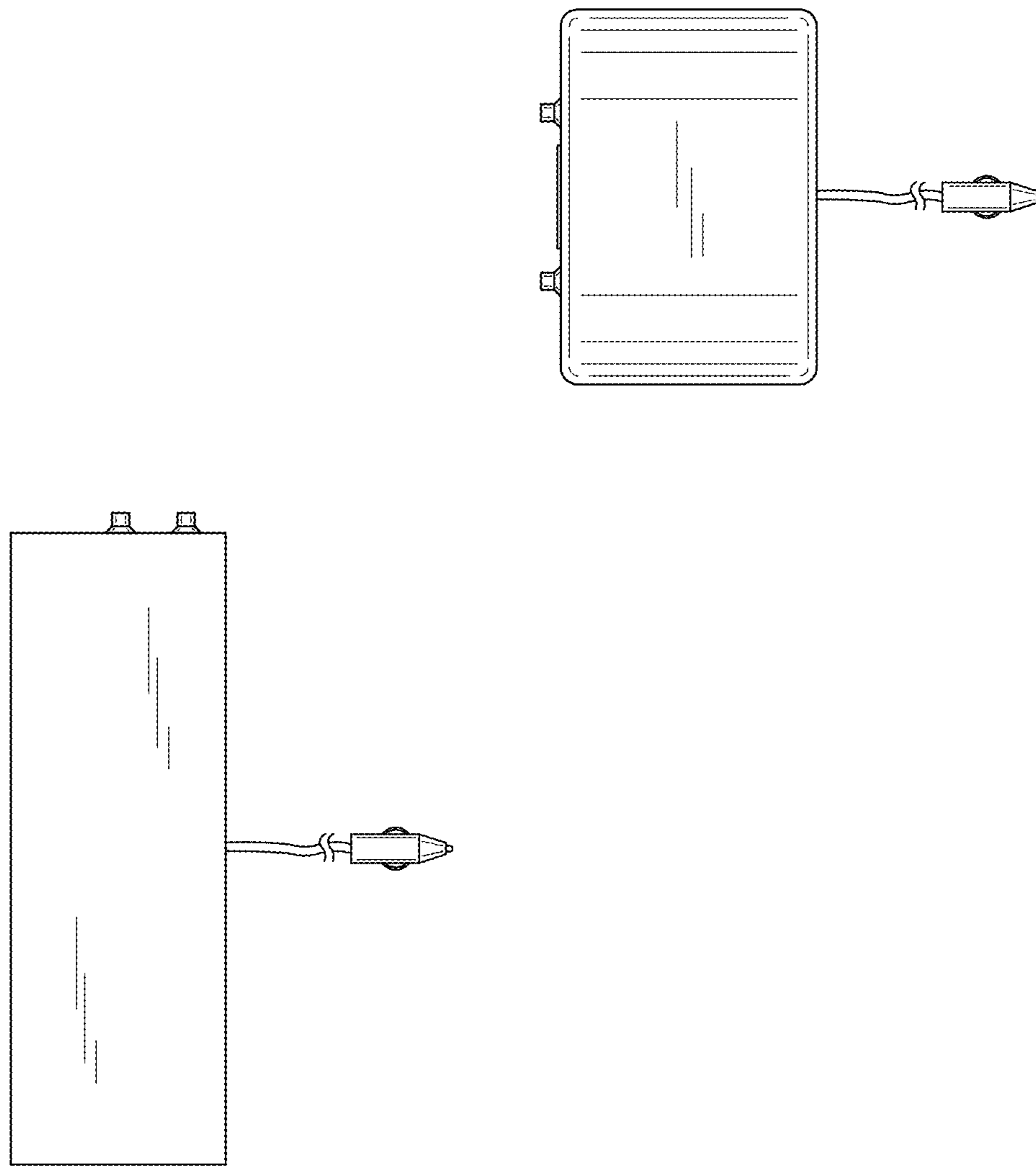


FIG. 6

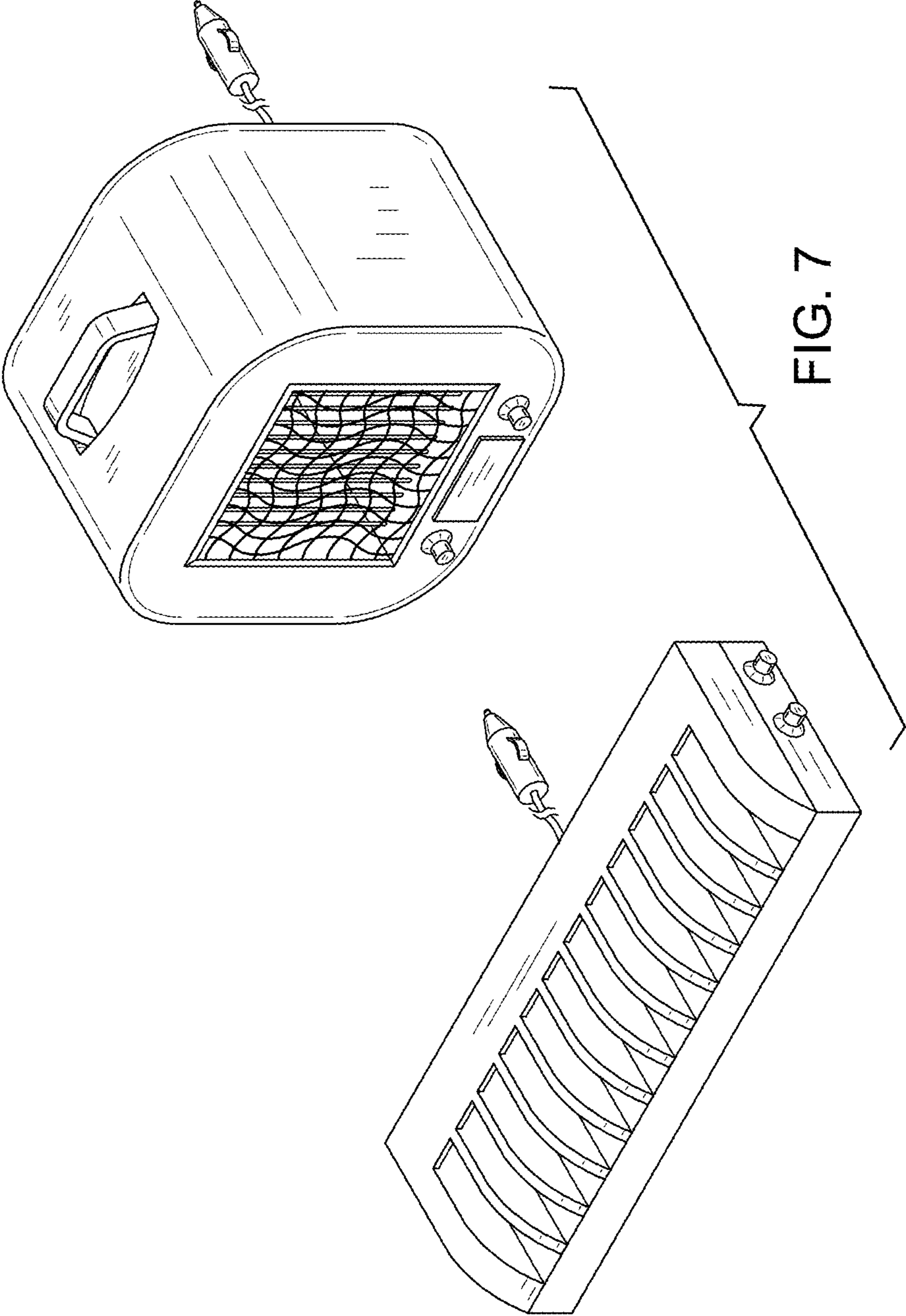


FIG. 7