



US00D769430S

(12) **United States Design Patent**
Kubota et al.

(10) **Patent No.:** **US D769,430 S**
(45) **Date of Patent:** **** Oct. 18, 2016**

(54) **DRAIN PAN FOR HEAT EXCHANGER**

(71) Applicant: **mitsubishi electric corporation**, Tokyo (JP)

(72) Inventors: **Tsuyoshi Kubota**, Tokyo (JP); **Akihiro Hasegawa**, Tokyo (JP); **Junki Oonishi**, Tokyo (JP)

(73) Assignee: **mitsubishi electric corporation**, Tokyo (JP)

(**) Term: **14 Years**

(21) Appl. No.: **29/524,774**

(22) Filed: **Apr. 23, 2015**

(30) **Foreign Application Priority Data**

Nov. 19, 2014 (JP) 2014-025848
Nov. 19, 2014 (JP) 2014-025849

(51) **LOC (10) Cl.** **23-03**

(52) **U.S. Cl.**
USPC **D23/323**

(58) **Field of Classification Search**
USPC D23/323, 385-395, 397, 370-373, 365, D23/351, 354, 399-403, 421, 499, 200, 314, D23/341, 333, 259-266, 269; 62/291; D13/120; 261/29; 220/571, 467; D3/311, 308, 309; 264/239
CPC .. F24F 13/222; F24F 2013/227; F24F 13/32; F25D 21/14

See application file for complete search history.

(56) **References Cited**

U.S. PATENT DOCUMENTS

4,474,232 A * 10/1984 Wright F24F 13/22
165/137
4,679,405 A * 7/1987 Mitchell F24F 13/22
285/239
5,613,554 A * 3/1997 Bull F24F 13/22
165/122
D381,406 S * 7/1997 Brown D23/266
5,715,697 A * 2/1998 Rust, Jr. F24F 1/0007
62/286
5,904,053 A * 5/1999 Polk F24F 13/22
62/285

5,987,909 A * 11/1999 Martin, Sr. F24F 13/22
62/288
6,289,688 B1 * 9/2001 da Luz Moraes F24F 13/22
62/285
6,360,911 B1 * 3/2002 Arnold B01D 53/26
220/571
6,978,909 B2 * 12/2005 Goetzinger F24F 13/22
220/571
8,769,979 B2 * 7/2014 Timbs F24F 13/22
62/285
2005/0109055 A1 * 5/2005 Goetzinger F24F 13/22
62/291
2007/0169495 A1 * 7/2007 Thomas F24F 13/22
62/285
2007/0169497 A1 * 7/2007 Rios F24F 13/22
62/285
2007/0169498 A1 * 7/2007 Rios F24F 13/22
62/285
2007/0169501 A1 * 7/2007 Rios F24F 13/22
62/286
2010/0241073 A1 * 9/2010 Andersen A61M 5/44
604/113
2011/0265508 A1 * 11/2011 Piccione 62/291
2015/0153094 A1 * 6/2015 Mercer F28F 17/005
62/276

* cited by examiner

Primary Examiner — T. Chase Nelson

Assistant Examiner — Ania Aman

(74) *Attorney, Agent, or Firm* — Studebaker & Brackett
PC

(57) **CLAIM**

The ornamental design for a drain pan for heat exchanger, as shown and described.

DESCRIPTION

FIG. 1 is a front perspective view of the front, left, and bottom sides of a drain pan for heat exchanger showing a first embodiment of our new design;

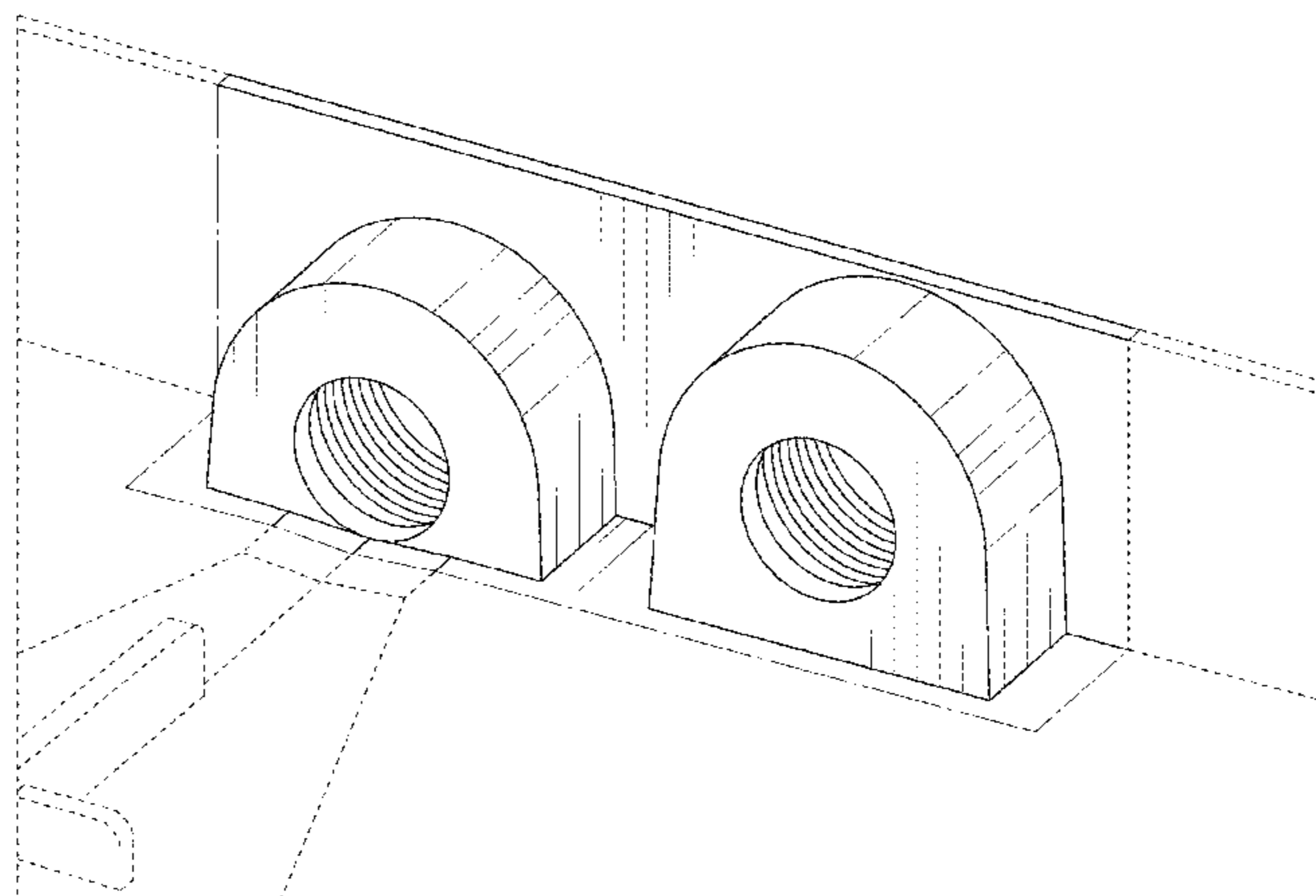


FIG. 2 is a rear perspective view of the rear, right, and top sides of thereof;
FIG. 3 is a front view thereof;
FIG. 4 is a rear view thereof;
FIG. 5 is a left side view thereof;
FIG. 6 is a right side view thereof;
FIG. 7 is a top plan view thereof, a bottom view being a mirror image thereof;
FIG. 8 is an enlarged perspective view of the drain pan for heat exchanger shown in FIG. 1.
FIG. 9 is a reference view of usage;
FIG. 10 is a front perspective view of the front, left, and bottom sides of a drain pan for heat exchanger showing a second embodiment of our new design;

FIG. 11 is a rear perspective view of the rear, right, and top sides of thereof;
FIG. 12 is a front view thereof;
FIG. 13 is a rear view thereof;
FIG. 14 is a left side view thereof;
FIG. 15 is a right side view thereof;
FIG. 16 is a top plan view thereof;
FIG. 17 is a bottom view thereof; and,
FIG. 18 is a reference view of usage.
The broken lines shown represent unclaimed subject matter of the drain pan for heat exchanger and form no part of the claimed design. The dash-dot lines represent the boundary between the claimed design and unclaimed design.

1 Claim, 15 Drawing Sheets

Fig. 1

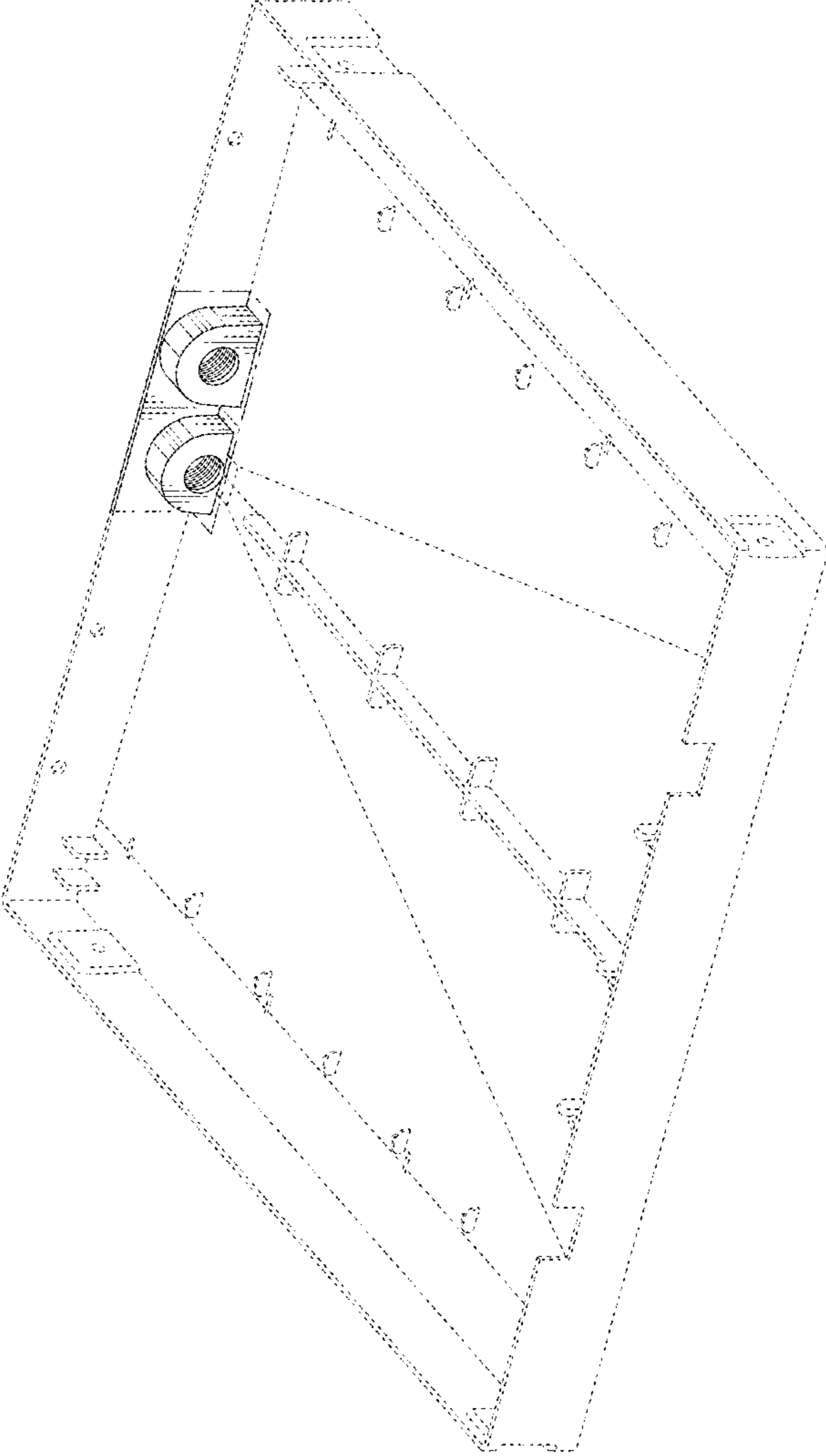


Fig. 2

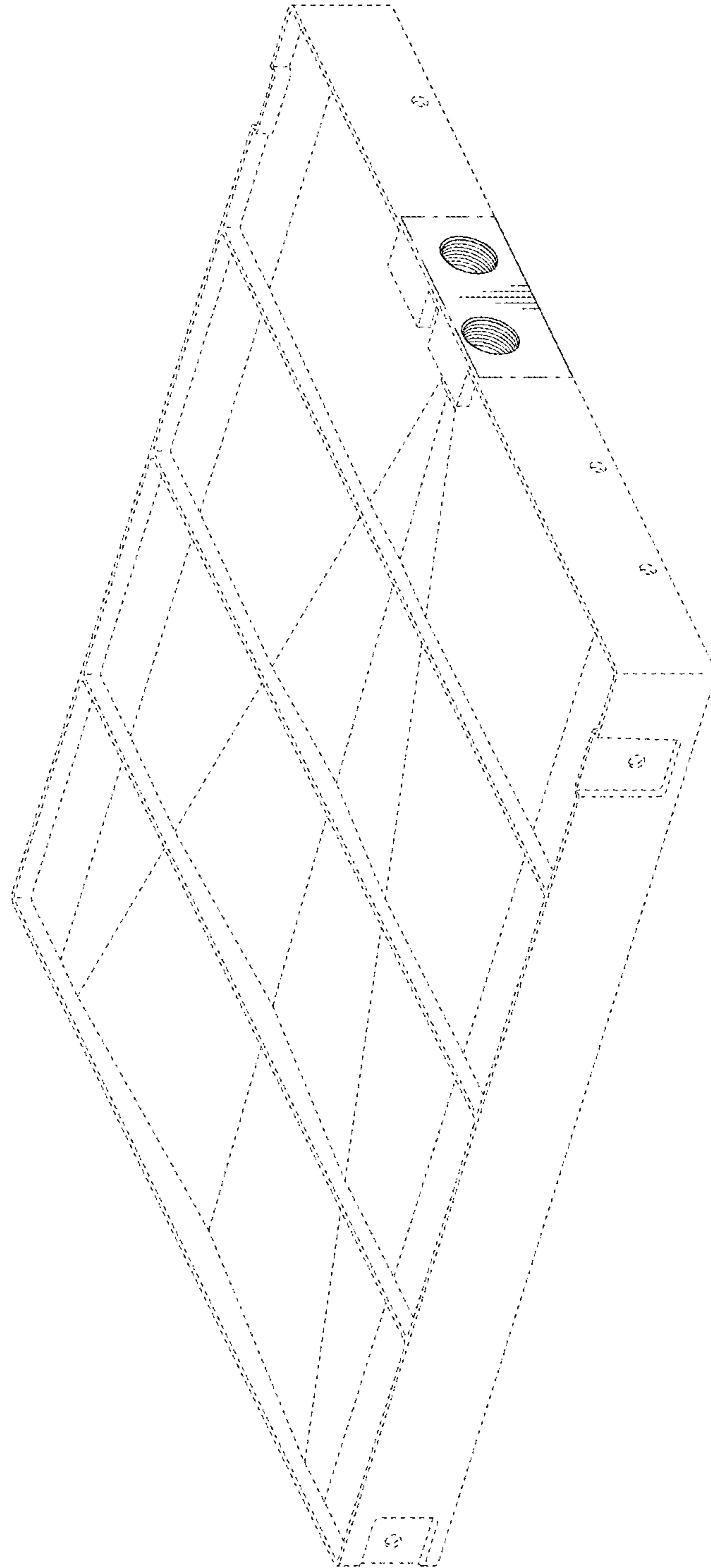


Fig. 3

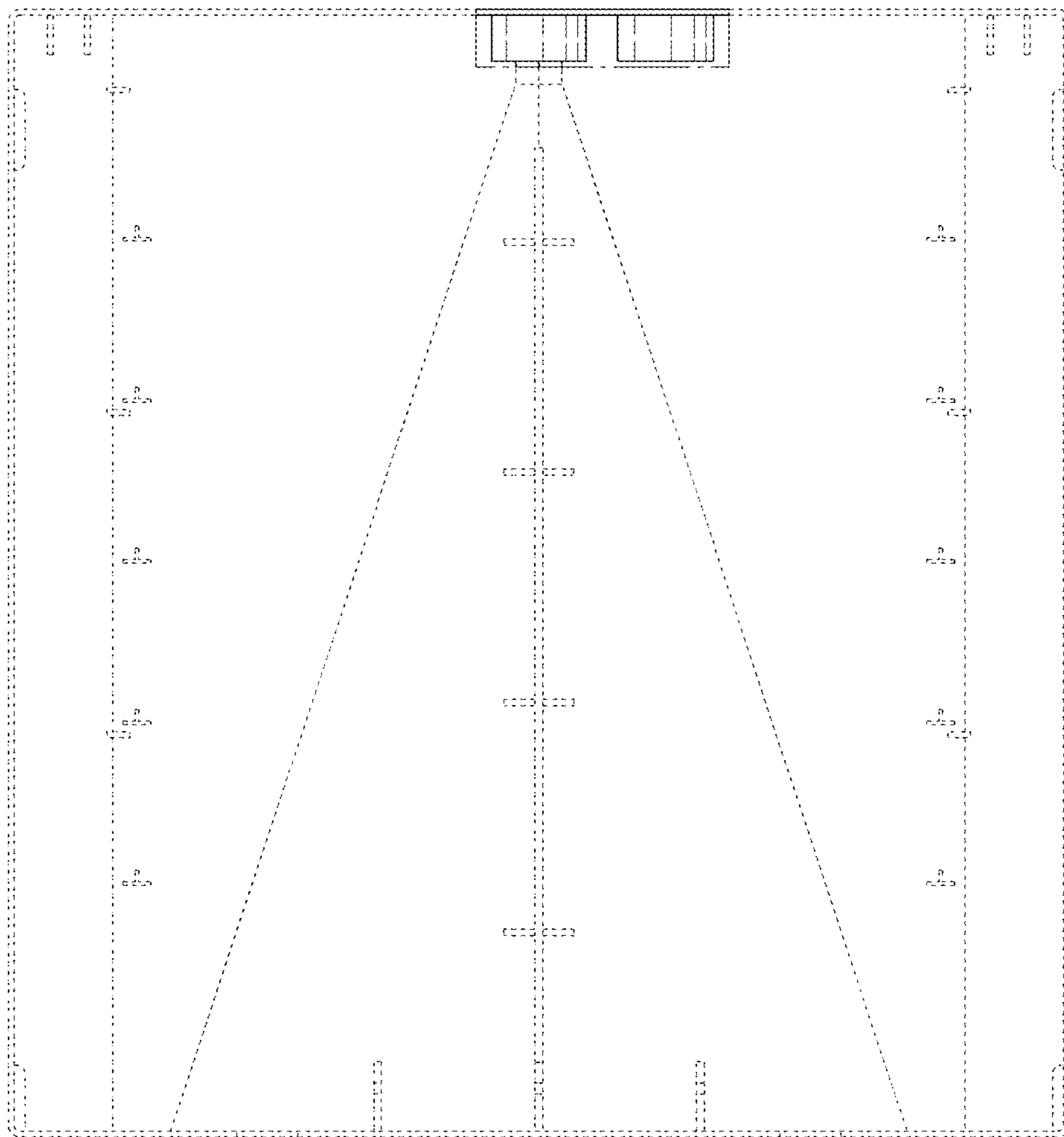


Fig. 4

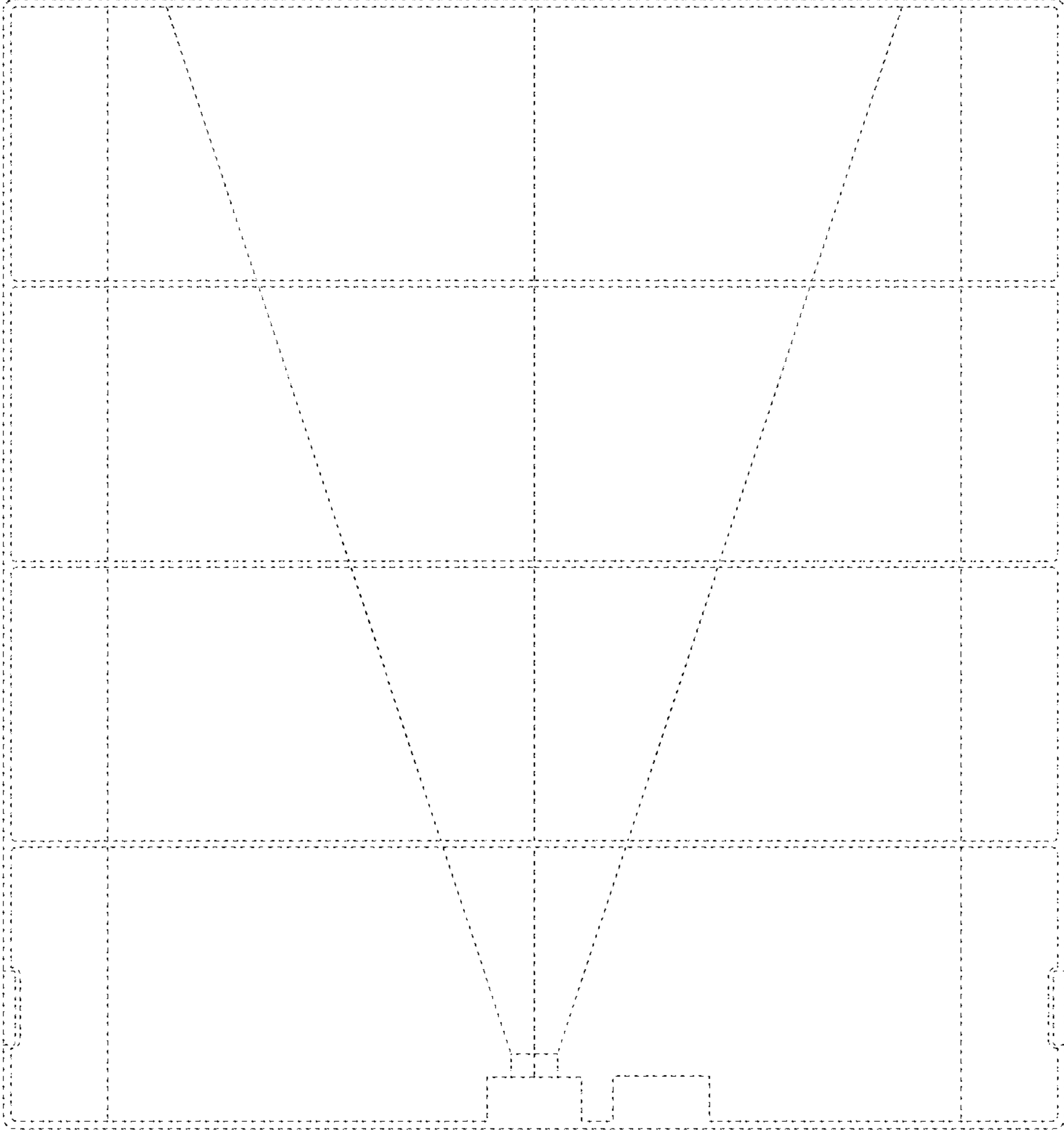


Fig. 6

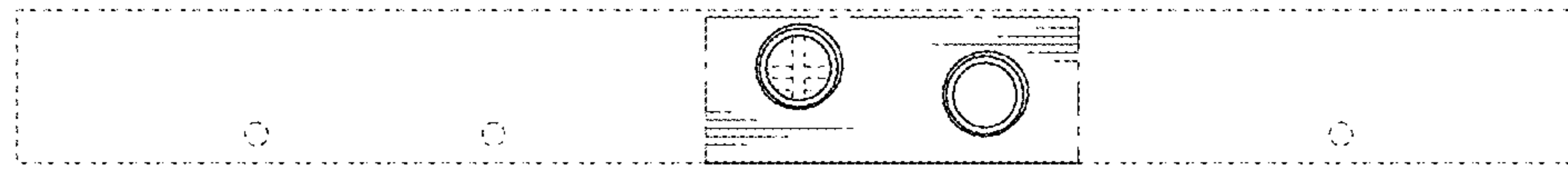


Fig. 5



Fig. 7

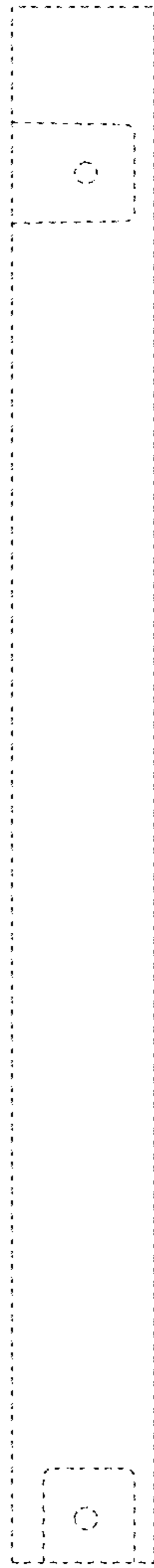


Fig. 8

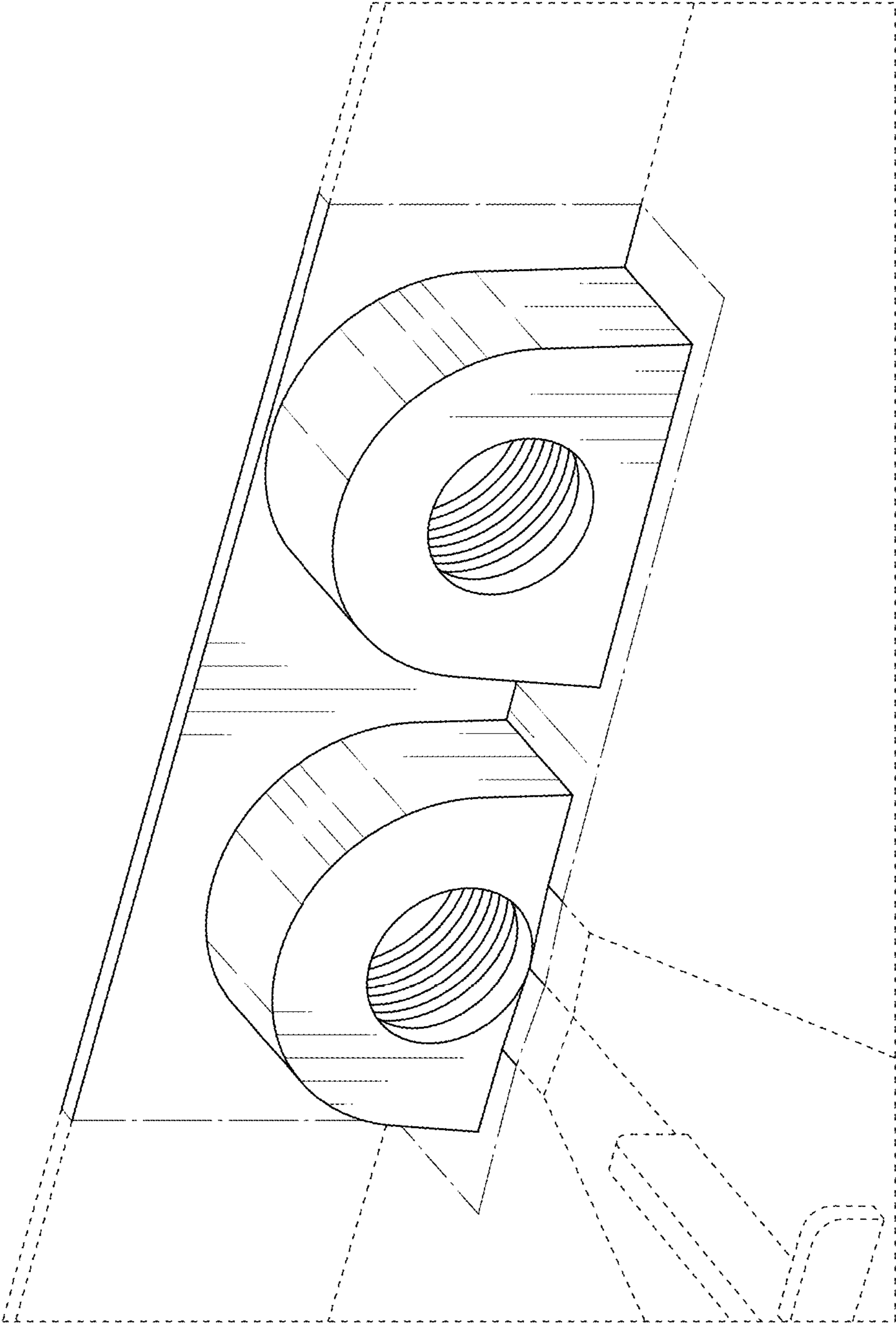


Fig. 9

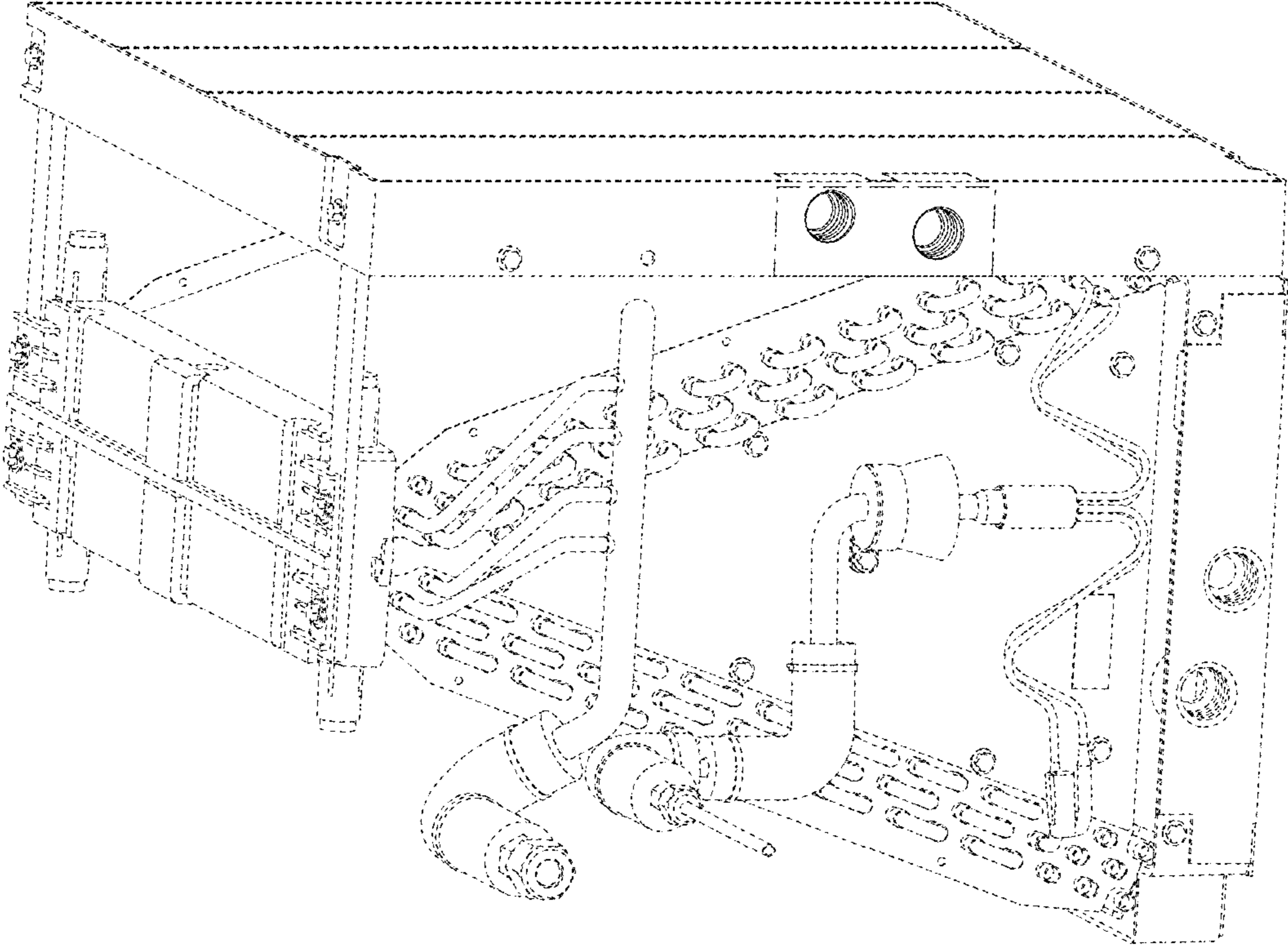


Fig. 10

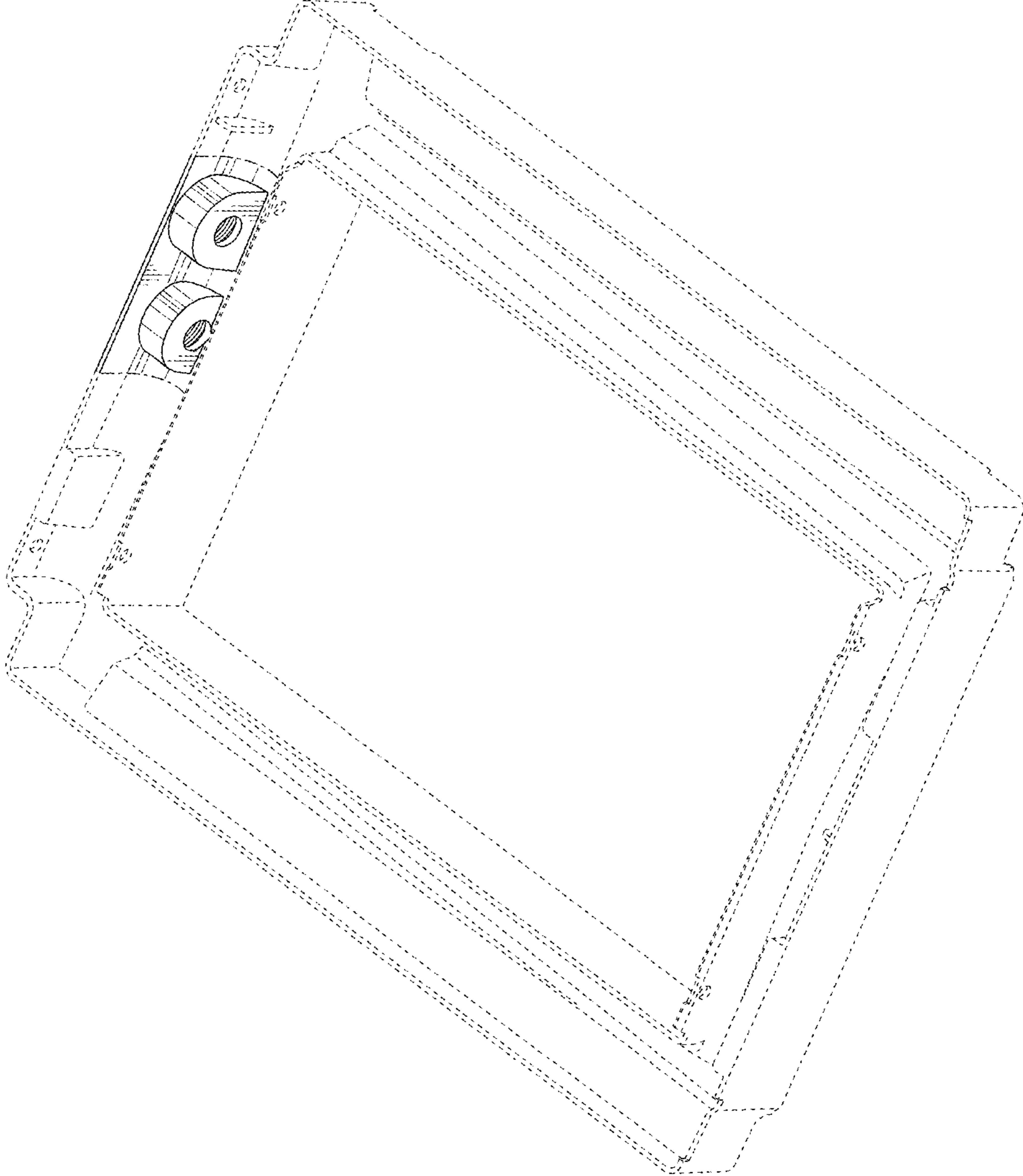


Fig. 11

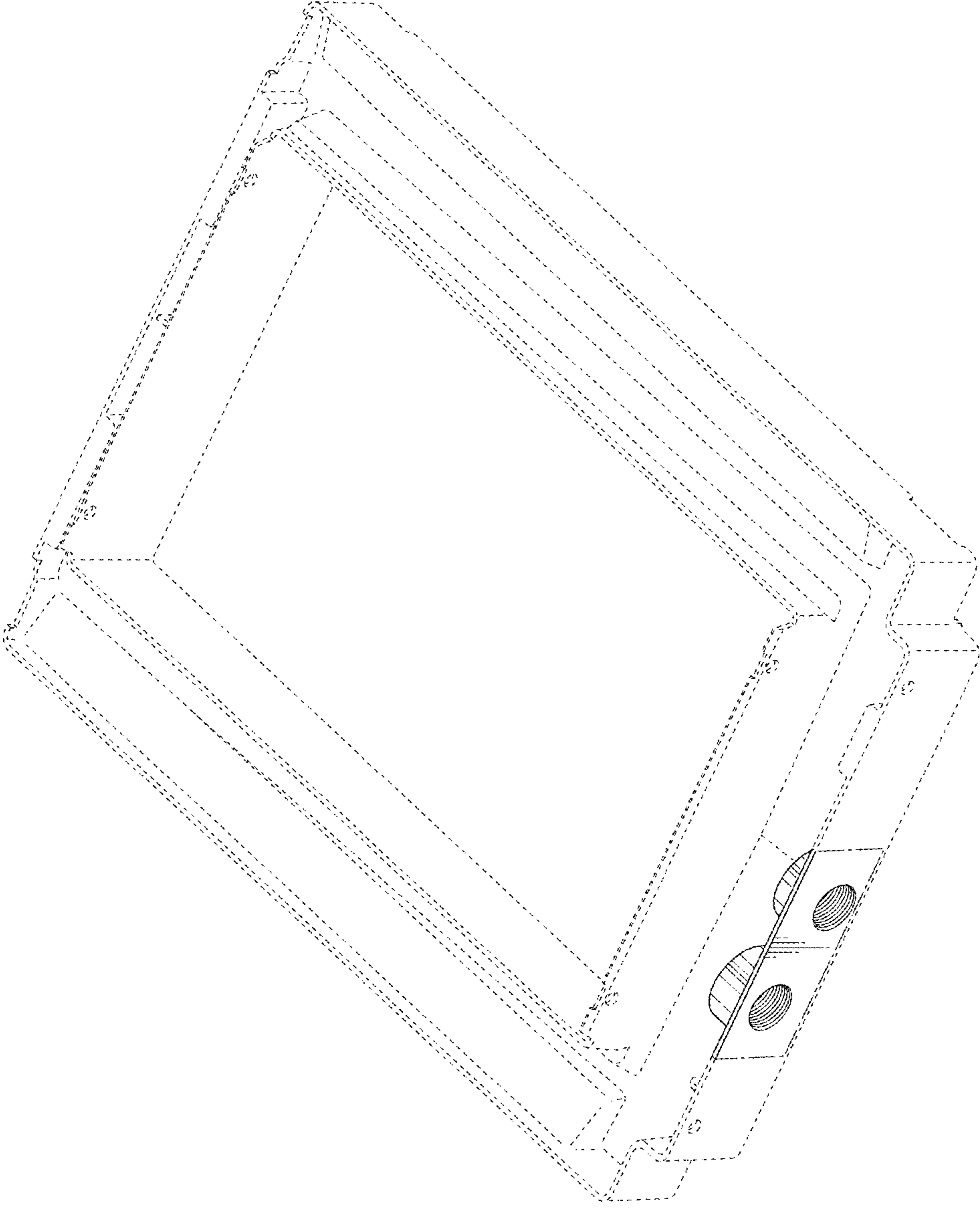


Fig. 12

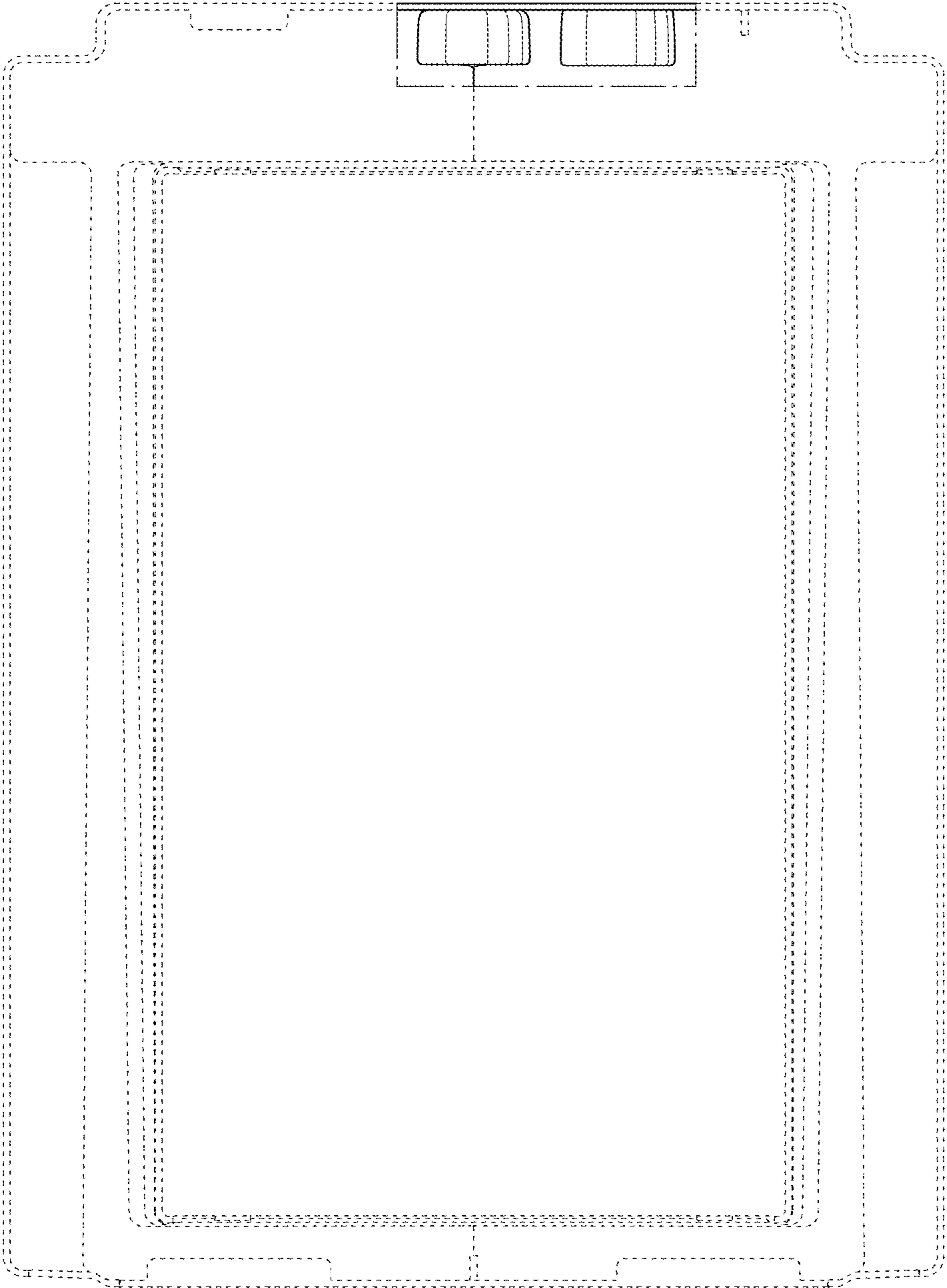


Fig. 13

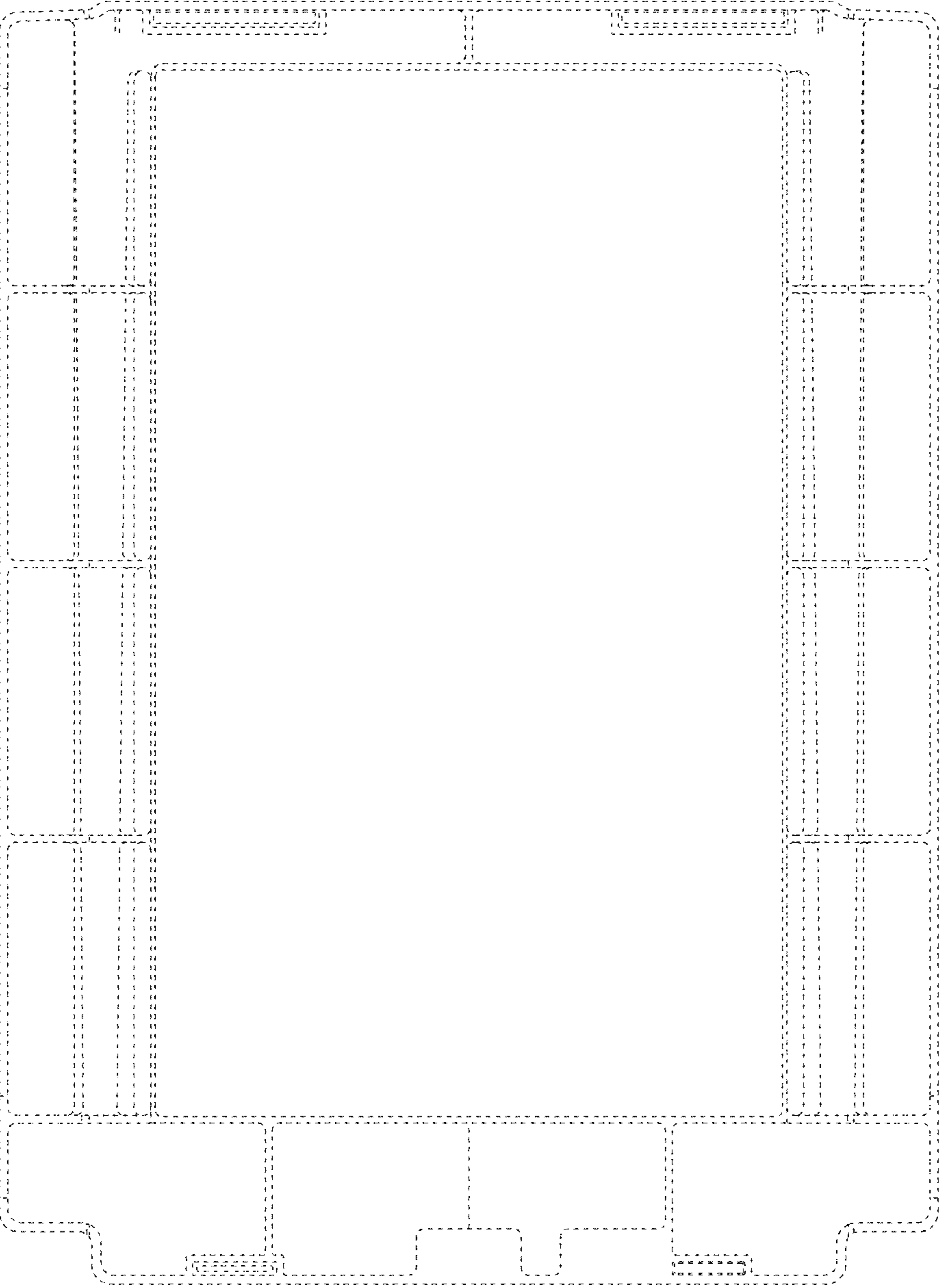


Fig. 15

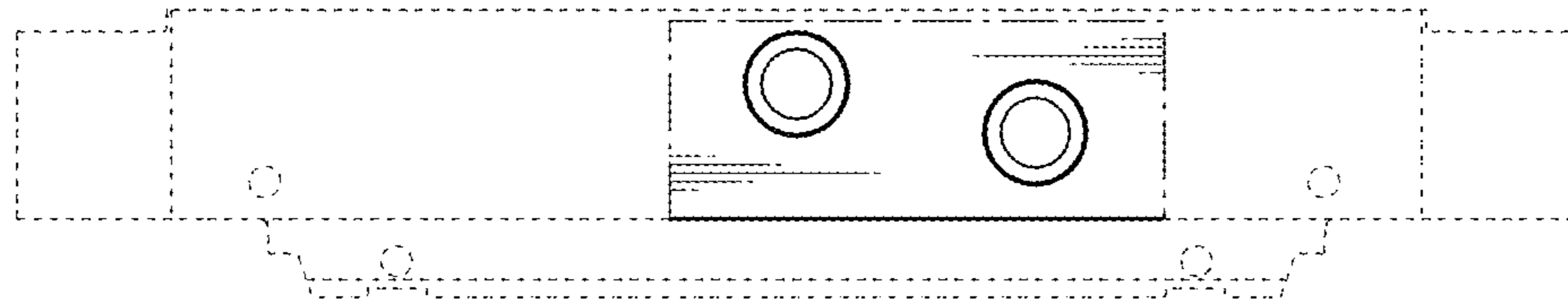


Fig. 14

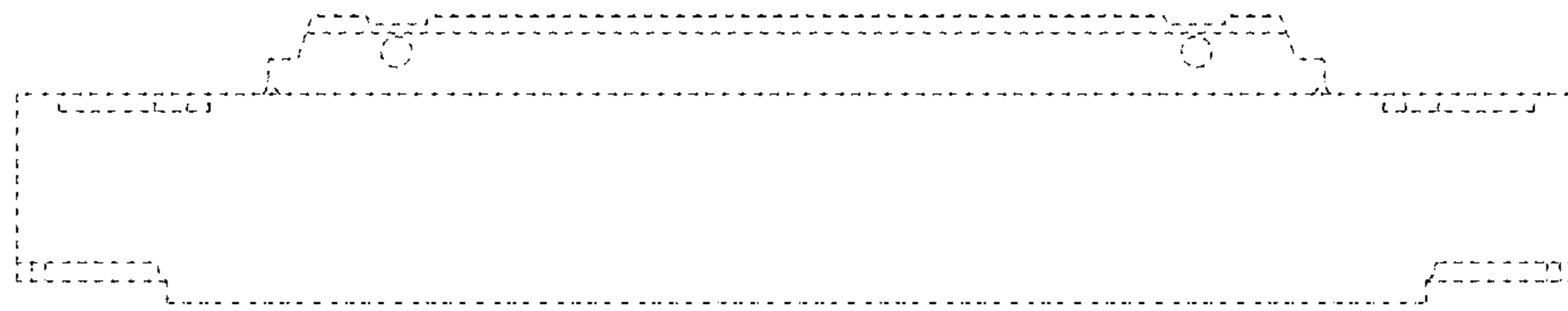


Fig. 16

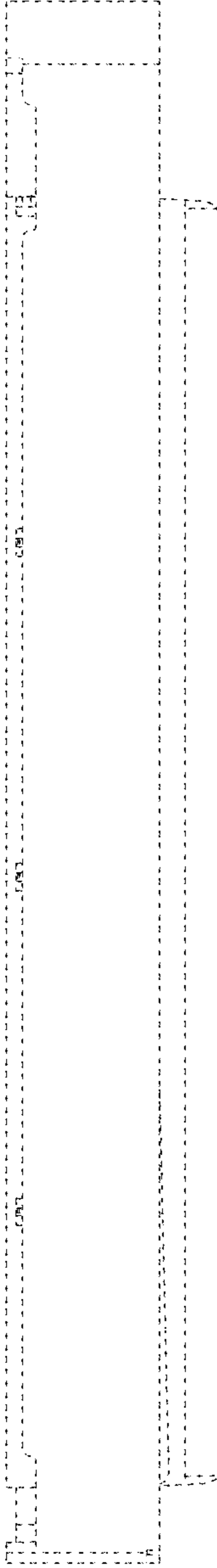


Fig. 17

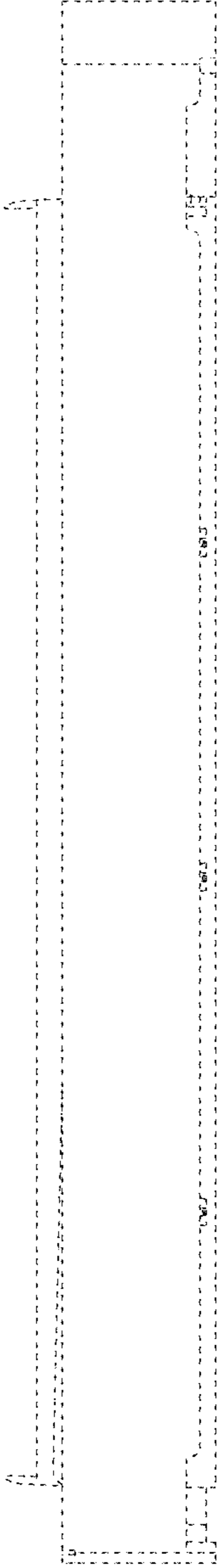


Fig. 18

