



US00D769424S

(12) **United States Design Patent** (10) **Patent No.:** **US D769,424 S**  
**Eilmus et al.** (45) **Date of Patent:** **\*\* Oct. 18, 2016**

(54) **SINK**

(74) *Attorney, Agent, or Firm* — Foley & Lardner LLP

(71) Applicant: **Kohler Co.**, Kohler, WI (US)

(57) **CLAIM**

(72) Inventors: **Niels J. Eilmus**, Sheboygan, WI (US);  
**Matthew Ryan Wegner**, Sheboygan,  
WI (US)

We claim the ornamental design for a sink, as shown and described.

(73) Assignee: **KOHLER CO.**, Kohler, WI (US)

**DESCRIPTION**

(\*\*) Term: **14 Years**

(21) Appl. No.: **29/521,960**

(22) Filed: **Mar. 26, 2015**

(51) **LOC (10) Cl.** ..... **23-02**

(52) **U.S. Cl.**  
USPC ..... **D23/290**

(58) **Field of Classification Search**  
USPC ..... D23/284, 286, 287, 290, 303, 308  
CPC ..... A47K 1/02; A47L 17/02; A47L 19/02;  
E03C 1/14; E03C 1/18; E03C 1/182; E03C  
1/186

See application file for complete search history.

FIG. 1 is a perspective view of an embodiment of the claimed design;  
FIG. 2 is a top view of the claimed design of FIG. 1;  
FIG. 3 is a bottom view of the claimed design of FIG. 1;  
FIG. 4 is a cross-sectional view of the claimed design of FIG. 1 taken along 4-4 of FIG. 2;  
FIG. 5 is a cross-sectional view of the claimed design of FIG. 1 taken along line 5-5 of FIG. 2;  
FIG. 6 is a perspective view of another embodiment of the claimed design;  
FIG. 7 is a top view of the claimed design of FIG. 6;  
FIG. 8 is a bottom view of the claimed design of FIG. 6;  
FIG. 9 is a cross-sectional view of the claimed design of FIG. 6 taken along line 9-9 of FIG. 7; and,  
FIG. 10 is a cross-sectional view of the claimed design of FIG. 6 taken along line 10-10 of FIG. 7.

(56) **References Cited**

**U.S. PATENT DOCUMENTS**

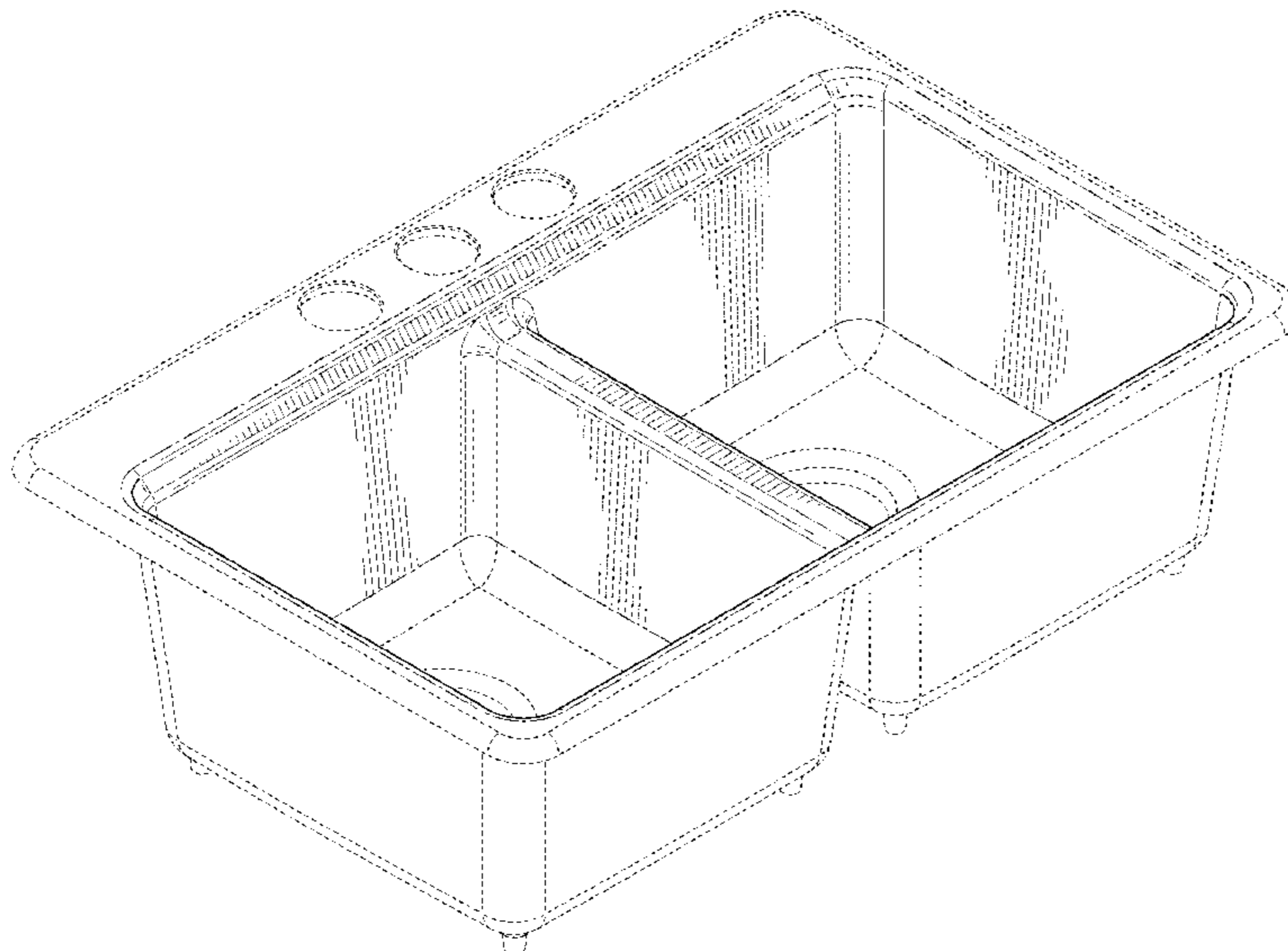
D328,339 S	7/1992	Sauter et al.	
D482,764 S *	11/2003	Genslak	D23/293.1
D523,540 S	6/2006	Gordon	
D645,549 S *	9/2011	Booth	D23/290
D646,365 S *	10/2011	Parekh	D23/290
D659,810 S *	5/2012	Eilmus	D23/290
D669,564 S	10/2012	Eilmus	
D672,621 S	12/2012	Eilmus et al.	

\* cited by examiner

The ornamental design that is claimed is shown in the drawings as solid lines and surfaces having surface shading. The broken lines in the drawings are for illustrative purposes only and form no part of the claimed design. For example, broken lines formed by equal length dashes show unclaimed portions of the design. Broken lines formed of unequal length dashes (i.e., dash-dot) show boundaries between either claimed and unclaimed portions of the design or between unclaimed and unclaimed portions of the design. Break lines having a jagged element are not part of the claimed design and show that differing lengths of the portion are possible.

*Primary Examiner* — Robert Delehanty

**1 Claim, 10 Drawing Sheets**



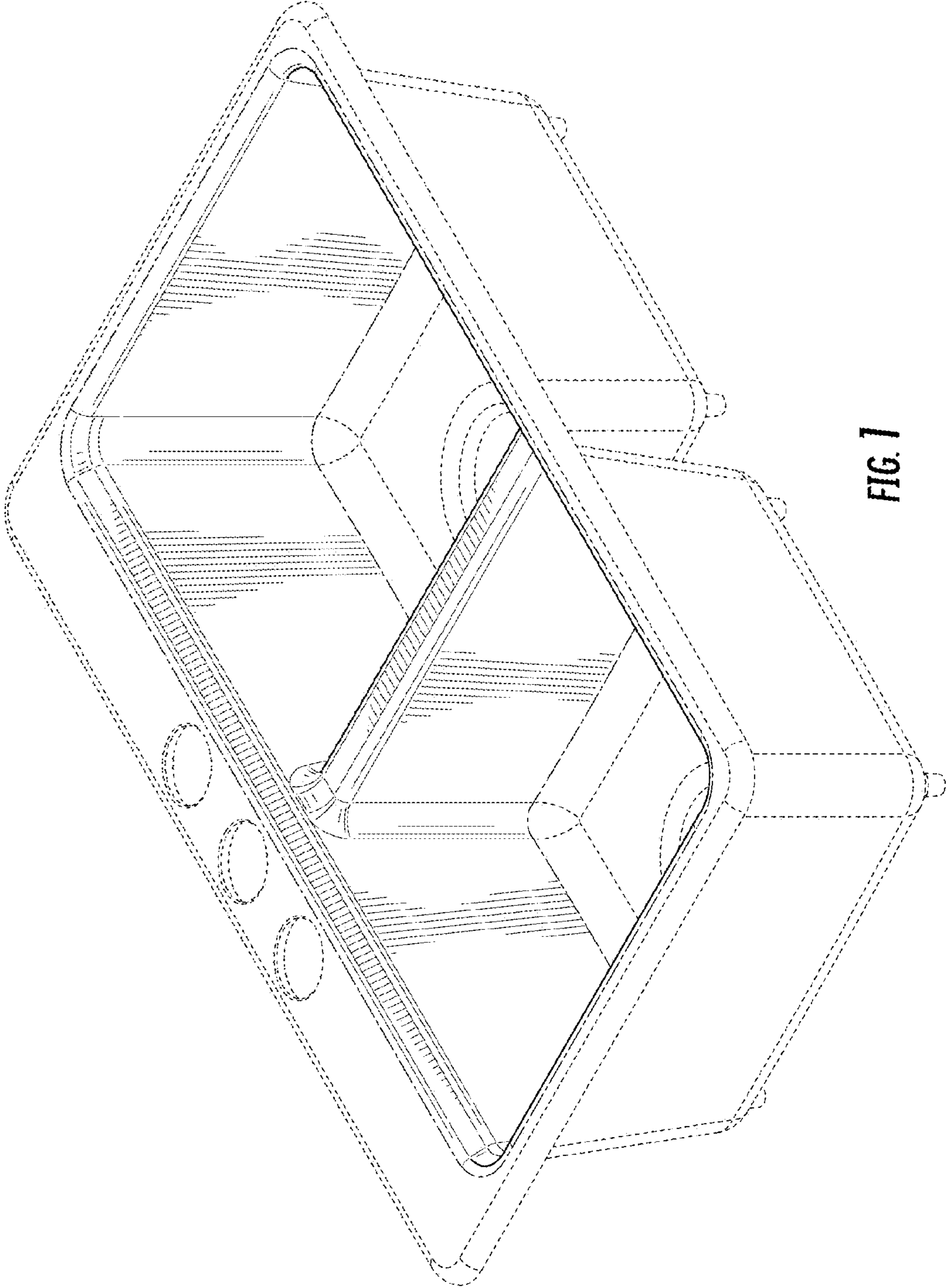
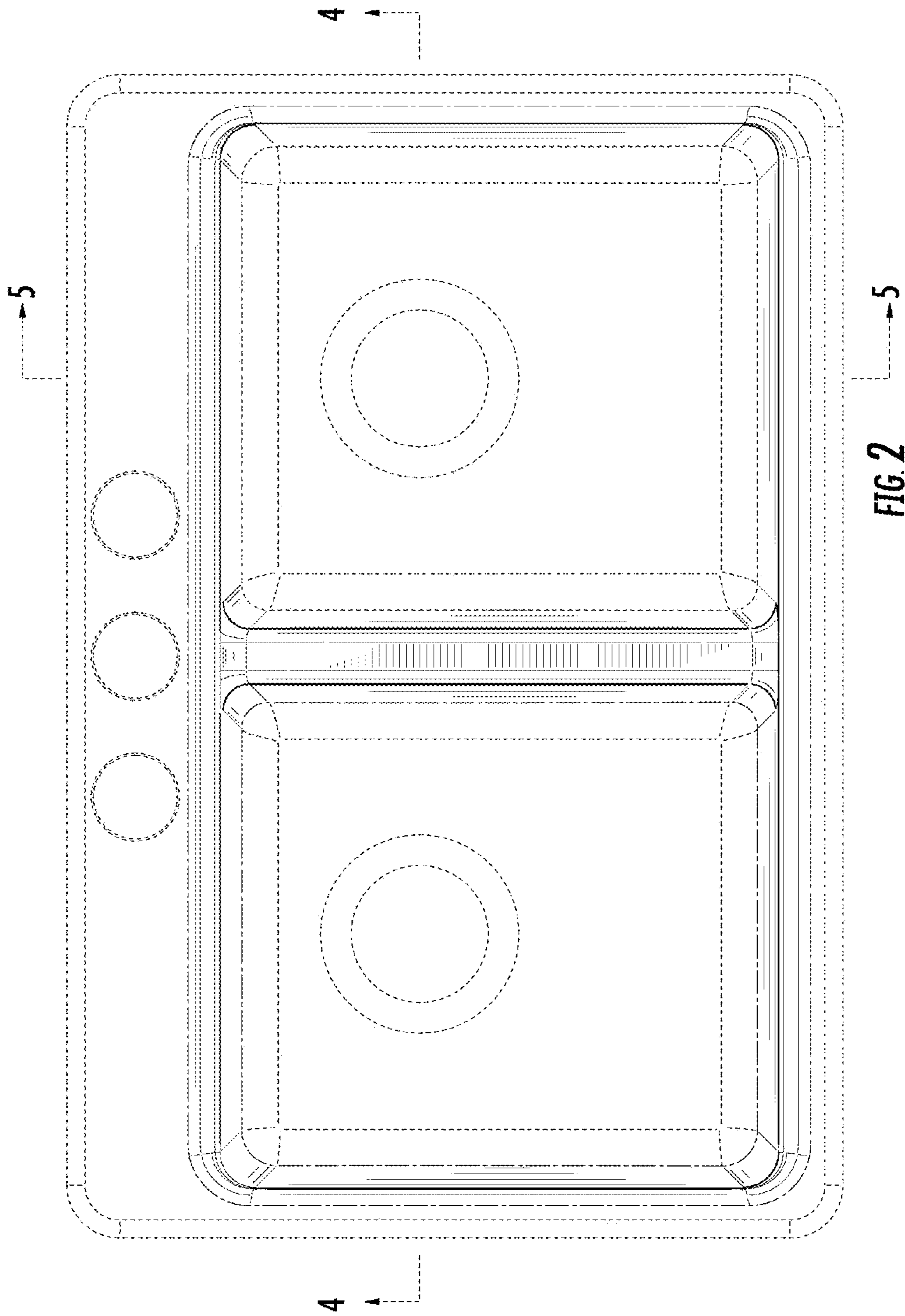


FIG. 1



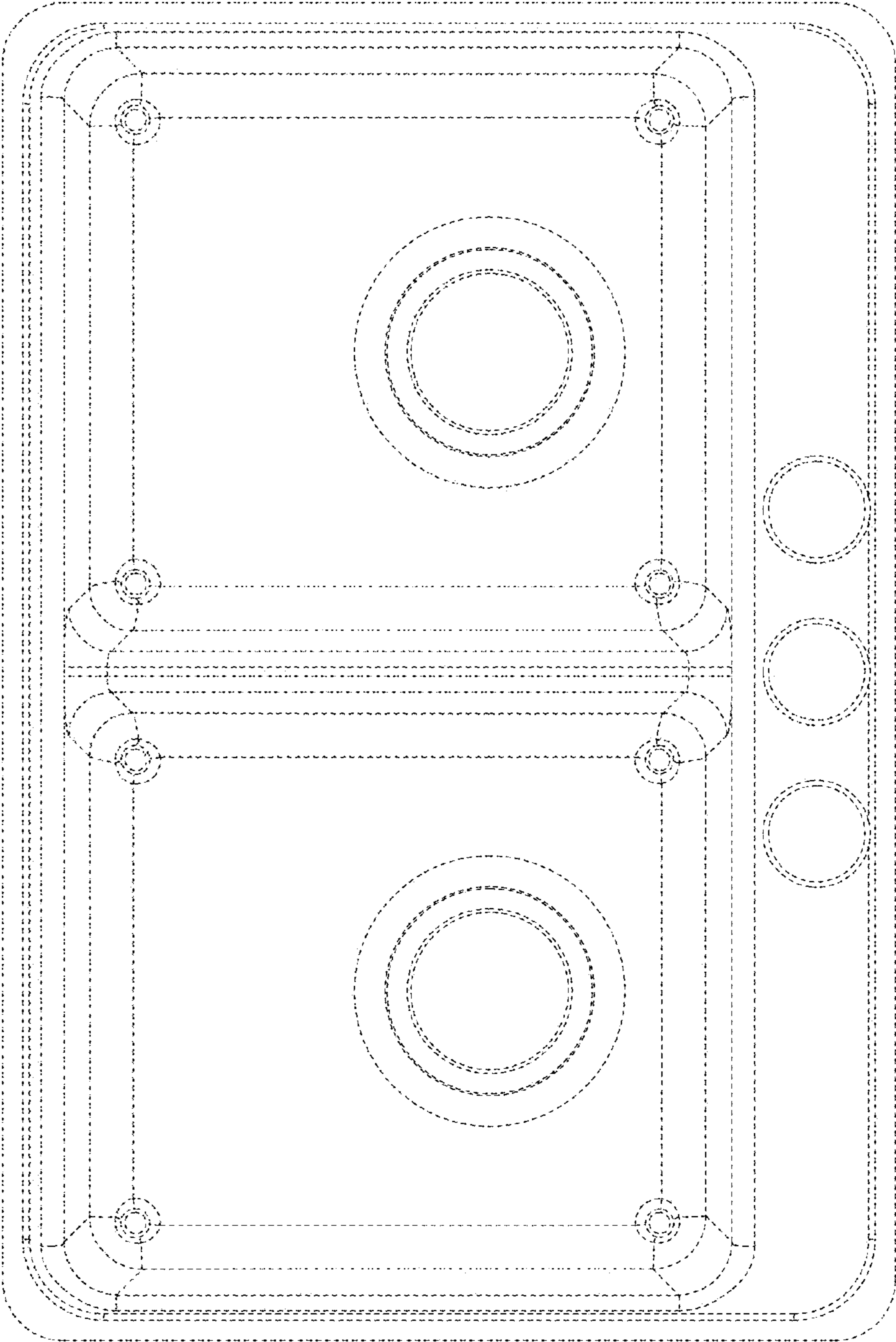


FIG. 3

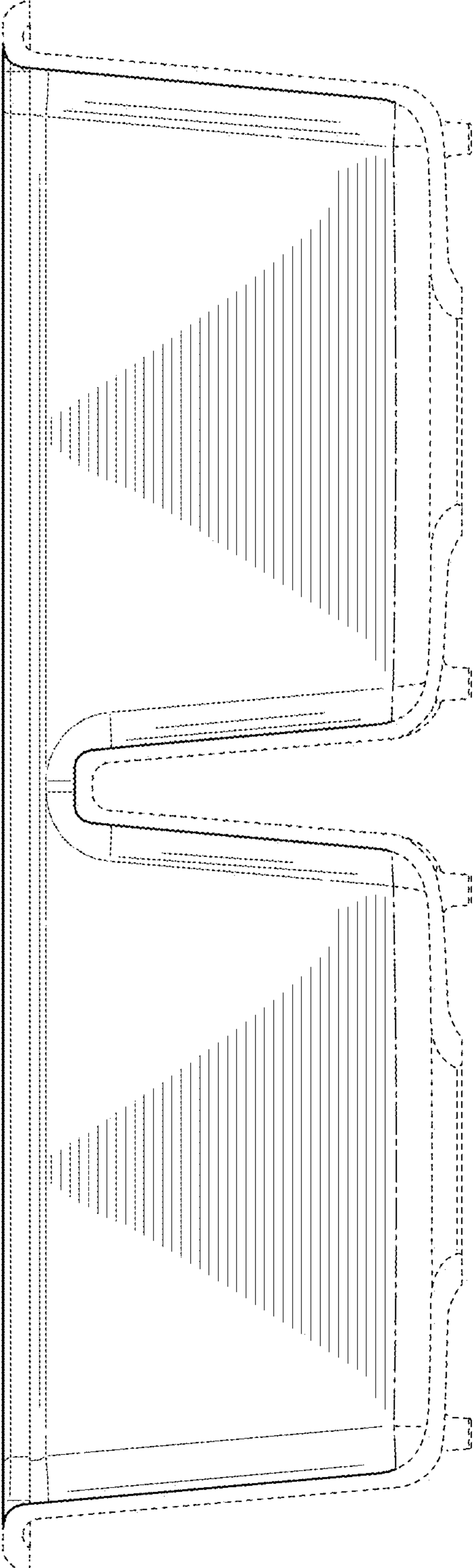
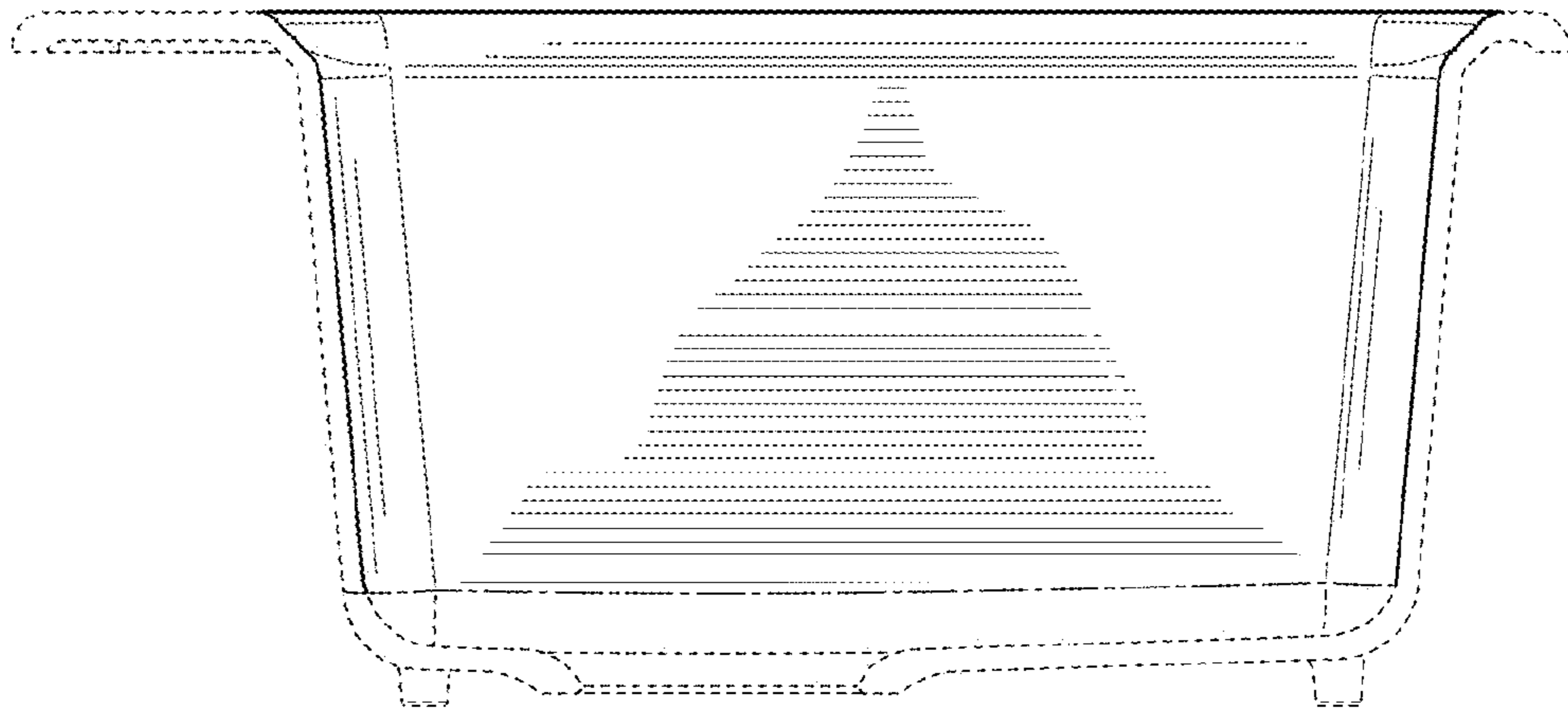


FIG. 4



**FIG. 5**

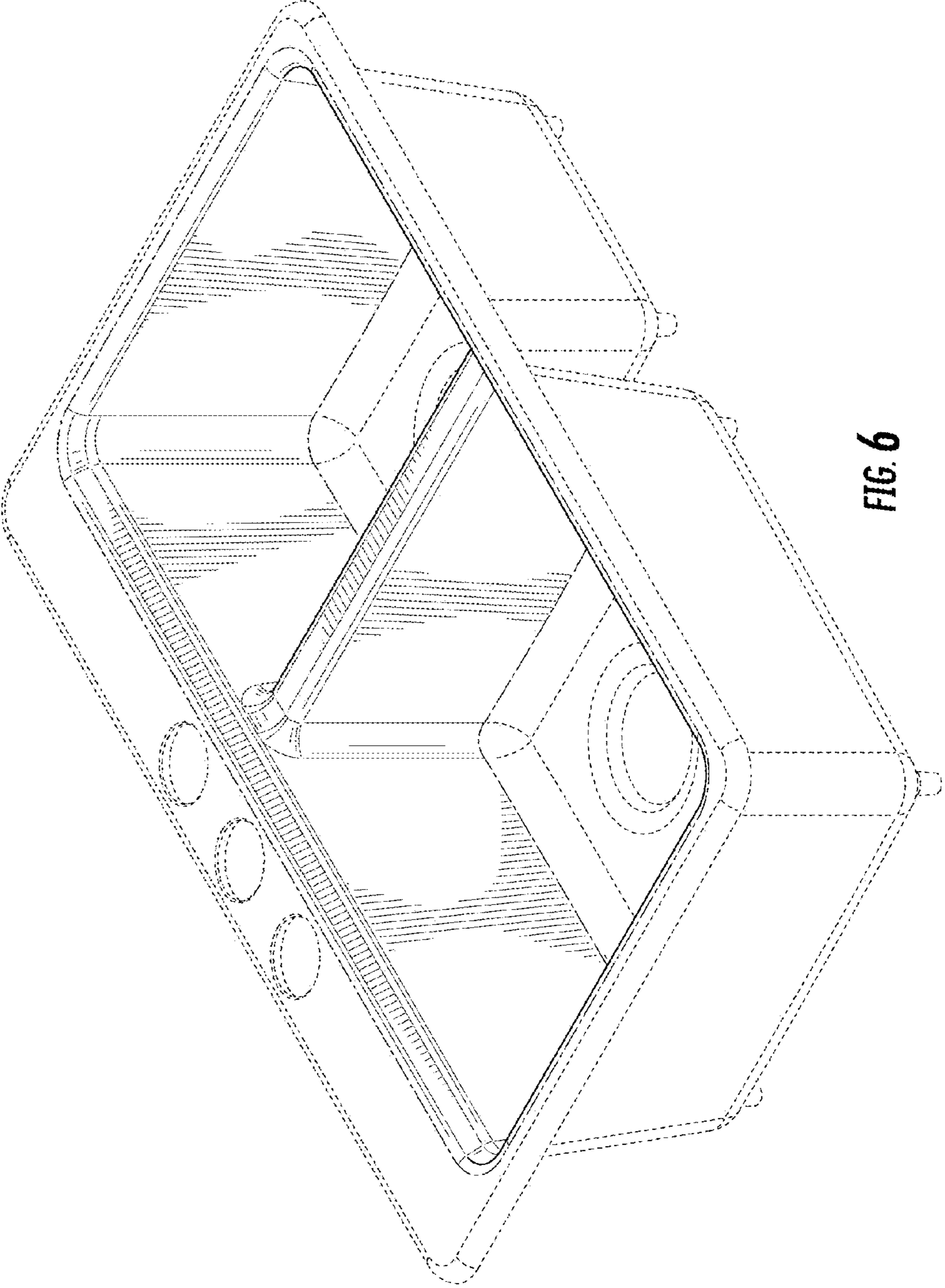


FIG. 6

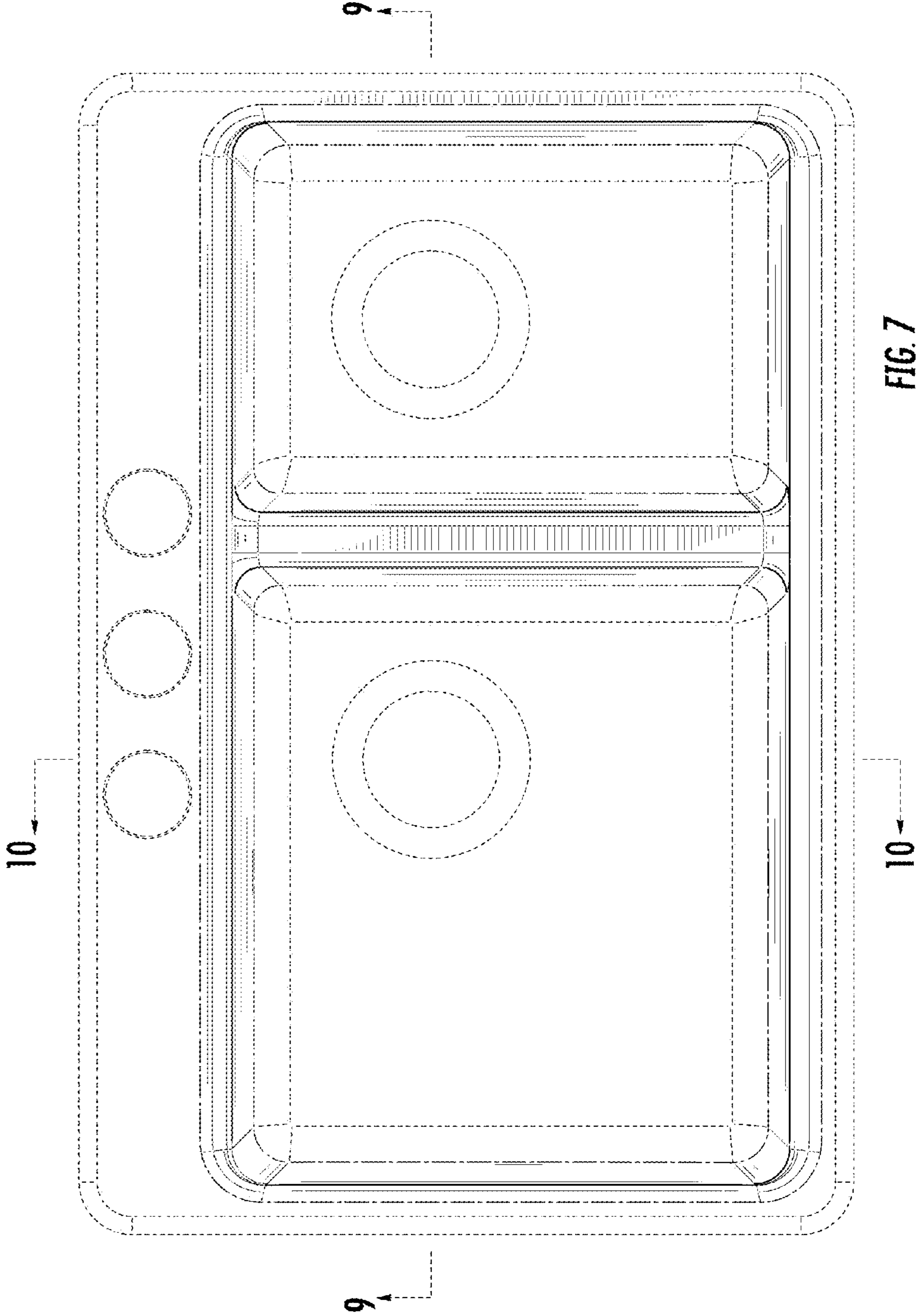


FIG. 7



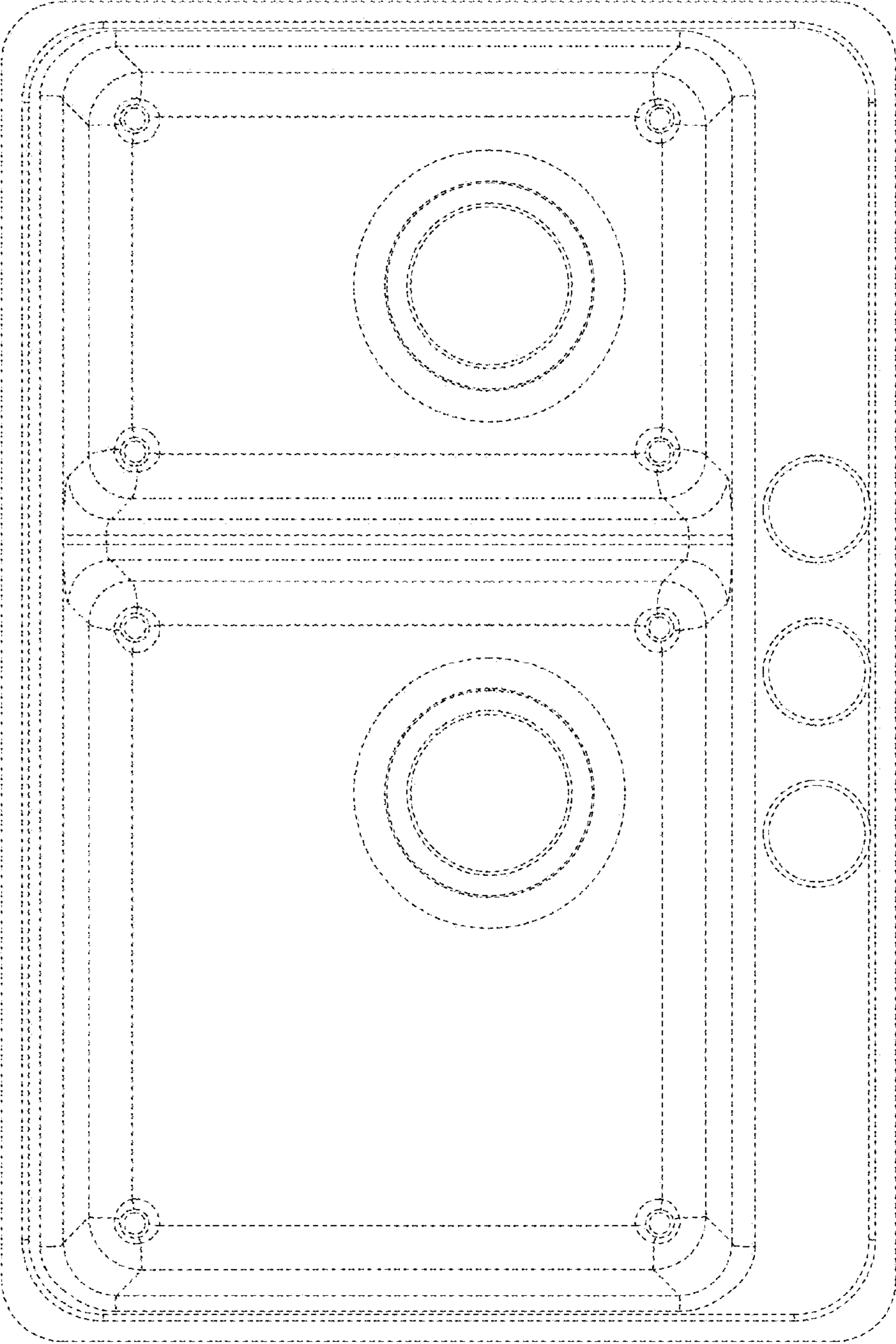


FIG. 8

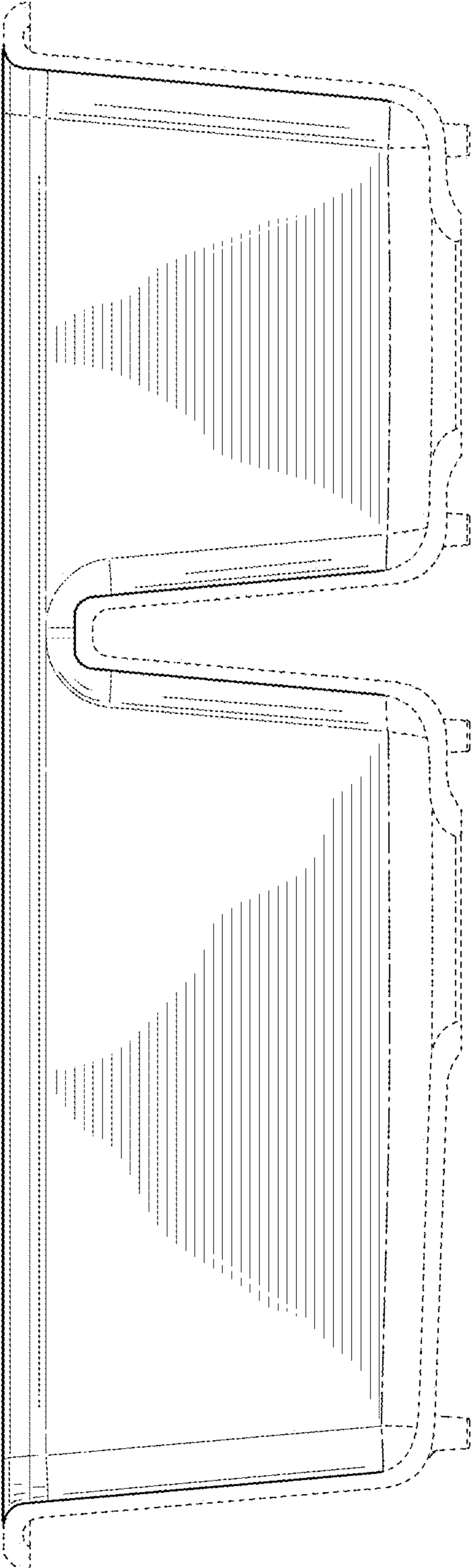
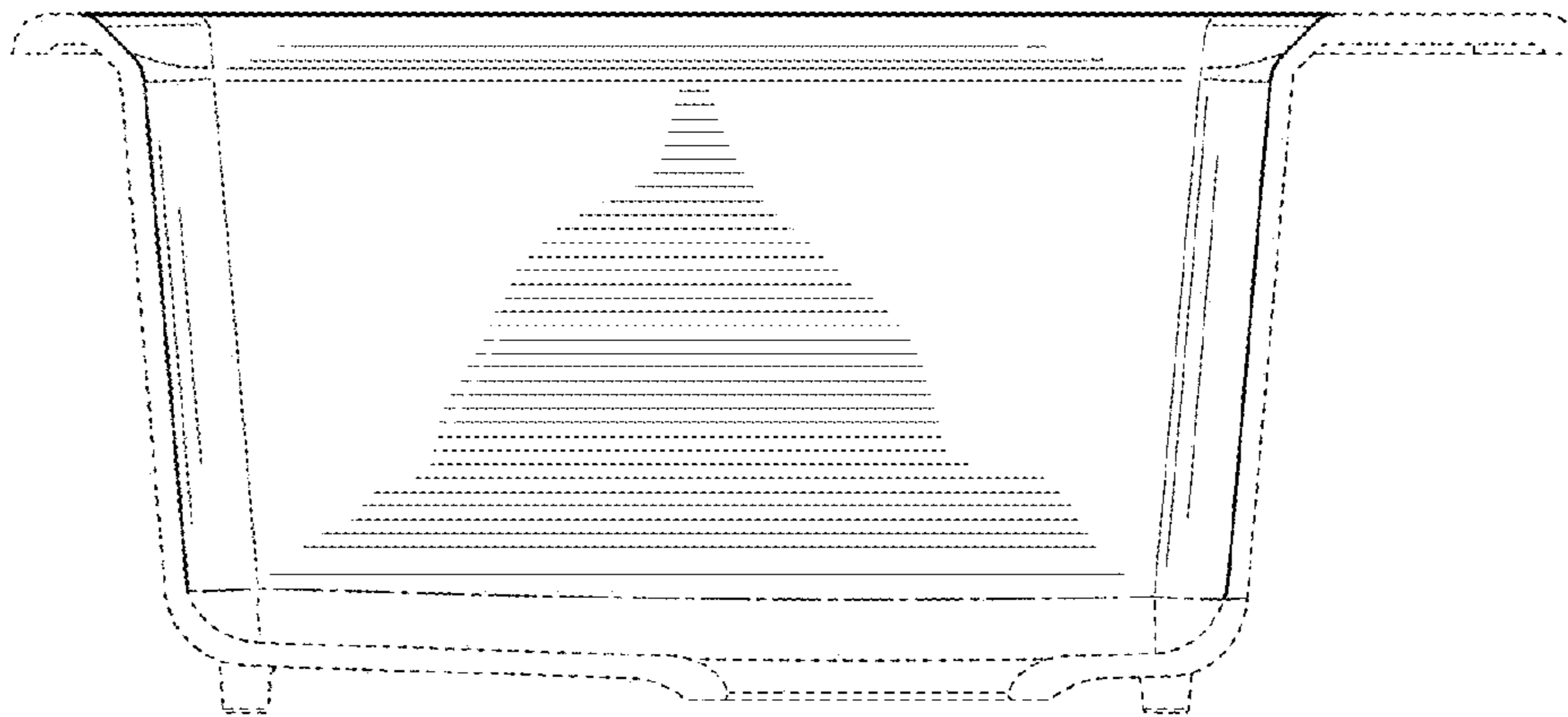


FIG. 9



**FIG. 10**