



US00D769423S

(12) **United States Design Patent** (10) **Patent No.:** **US D769,423 S**
Lilly et al. (45) **Date of Patent:** **** Oct. 18, 2016**

(54) **SINK**
(71) Applicant: **Kohler Co.**, Kohler, WI (US)
(72) Inventors: **Thomas Lilly**, Kohler, WI (US);
Matthew Ryan Wegner, Sheboygan,
WI (US)
(73) Assignee: **KOHLER CO.**, Kohler, WI (US)
(**) Term: **14 Years**
(21) Appl. No.: **29/514,952**
(22) Filed: **Jan. 19, 2015**
(51) **LOC (10) Cl.** **23-02**
(52) **U.S. Cl.**
USPC **D23/290**
(58) **Field of Classification Search**
USPC D23/290, 303, 308
CPC E03C 1/00; E03C 1/01; E03C 1/02;
E03C 1/12; E03C 1/18
See application file for complete search history.

Primary Examiner — Robert Delehanty
(74) *Attorney, Agent, or Firm* — Foley & Lardner LLP

(57) **CLAIM**
We claim the ornamental design for a sink, as shown and described.

DESCRIPTION

FIG. 1 is a perspective view of an embodiment of the claimed design;
FIG. 2 is a top view of the claimed design of FIG. 1;
FIG. 3 is a bottom view of the claimed design of FIG. 1;
FIG. 4 is a cross-sectional view of the claimed design of FIG. 1 taken along 4-4 of FIG. 2;
FIG. 5 is a cross-sectional view of the claimed design of FIG. 1 taken along line 5-5 of FIG. 2;
FIG. 6 is a cross-sectional view of the claimed design of FIG. 1 taken along line 6-6 of FIG. 2; and,
FIG. 7 is a cross-sectional view of the claimed design of FIG. 1 taken along line 7-7 of FIG. 2.

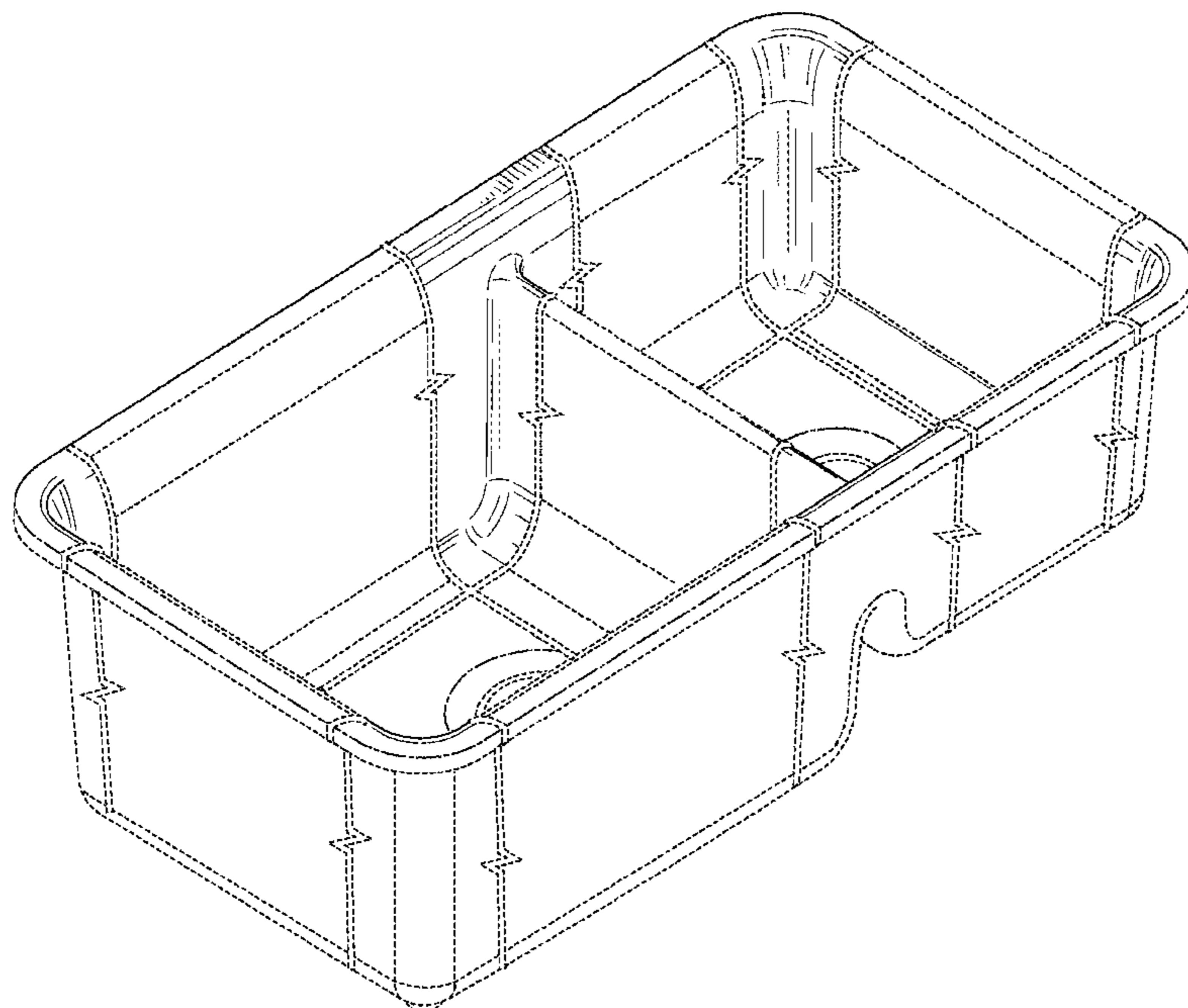
The ornamental design that is claimed is shown in the drawings as solid lines and surfaces having surface shading. The broken lines in the drawings are for illustrative purposes only and form no part of the claimed design. For example, broken lines formed by equal length dashes show unclaimed portions of the design. Broken lines formed of unequal length dashes (i.e., dash-dot) show boundaries between either claimed and unclaimed portions of the design or between unclaimed and unclaimed portions of the design. Break lines having a jagged element are not part of the claimed design and show that differing lengths of the portion are possible.

(56) **References Cited**
U.S. PATENT DOCUMENTS

D328,339 S	7/1992	Sauter et al.	
D344,576 S *	2/1994	Stairs, Jr.	D23/290
D508,984 S *	8/2005	Gordon	D23/293.1
D510,418 S *	10/2005	Painter	D23/290
D523,540 S	6/2006	Gordon	
D601,675 S *	10/2009	Booth	D23/290
D663,808 S *	7/2012	Eilmus	D23/308
D669,564 S	10/2012	Eilmus	
D672,621 S	12/2012	Eilmus et al.	
2003/0204905 A1 *	11/2003	Ziemann	E03C 1/18 4/639

* cited by examiner

1 Claim, 6 Drawing Sheets



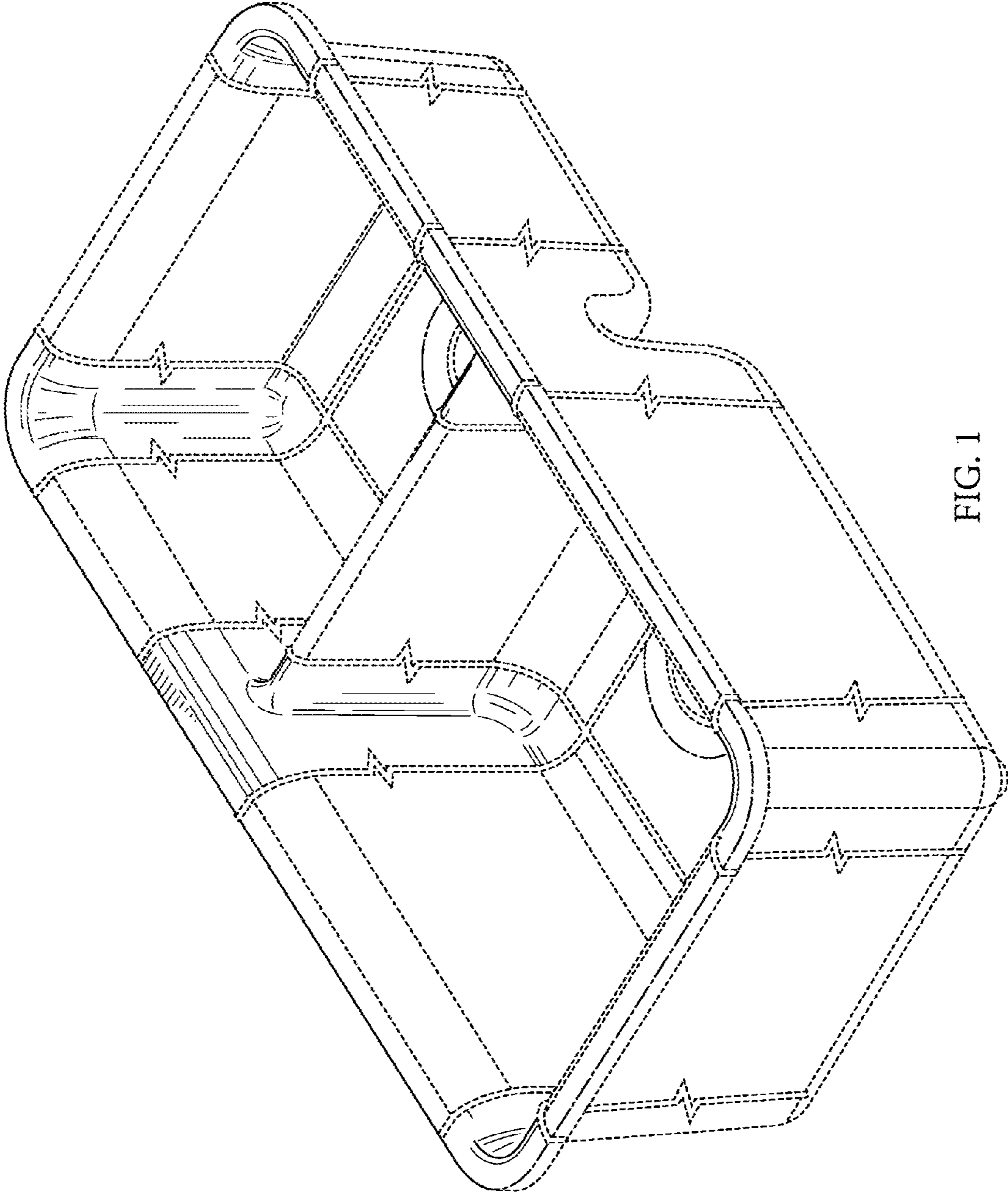
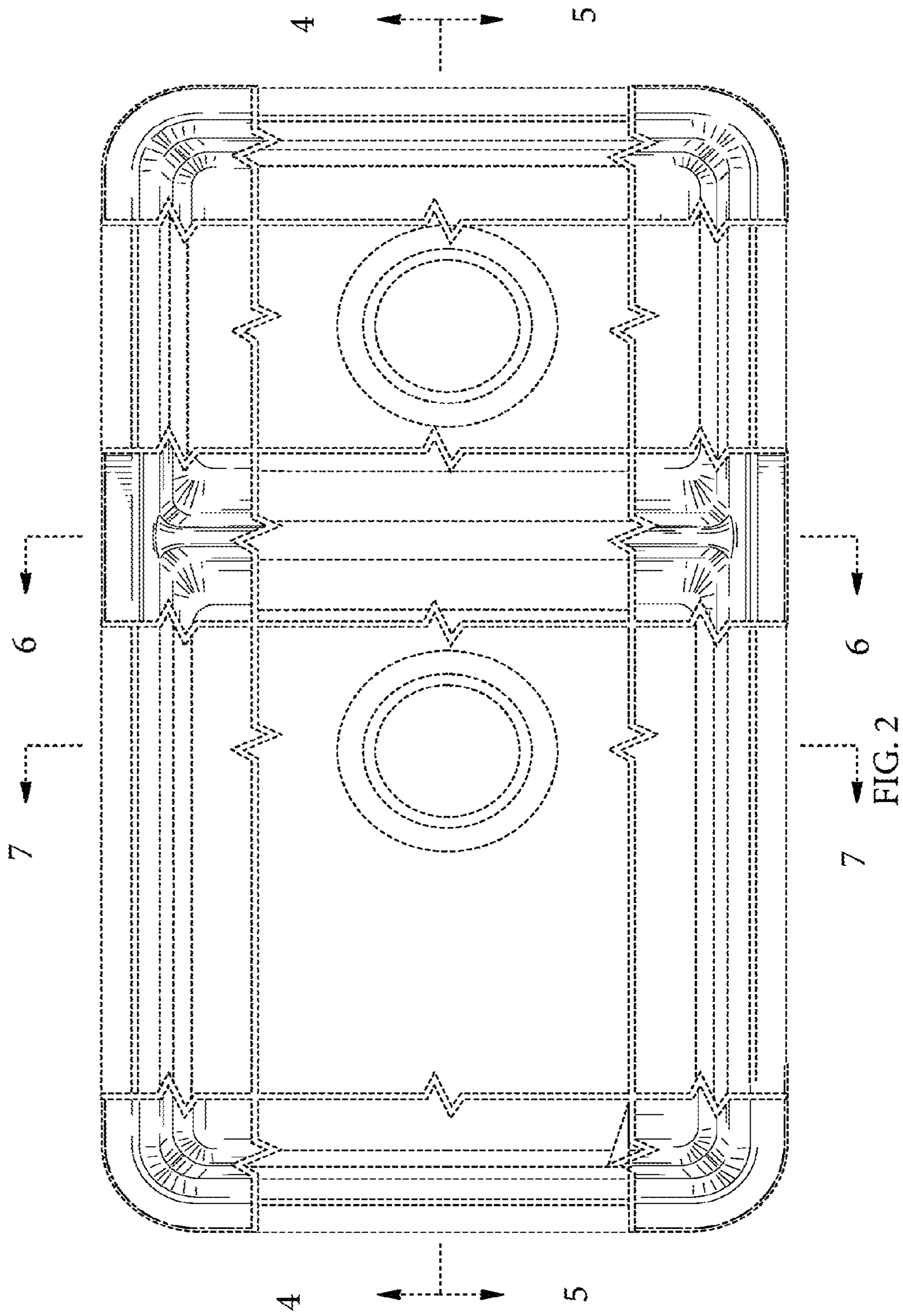


FIG. 1



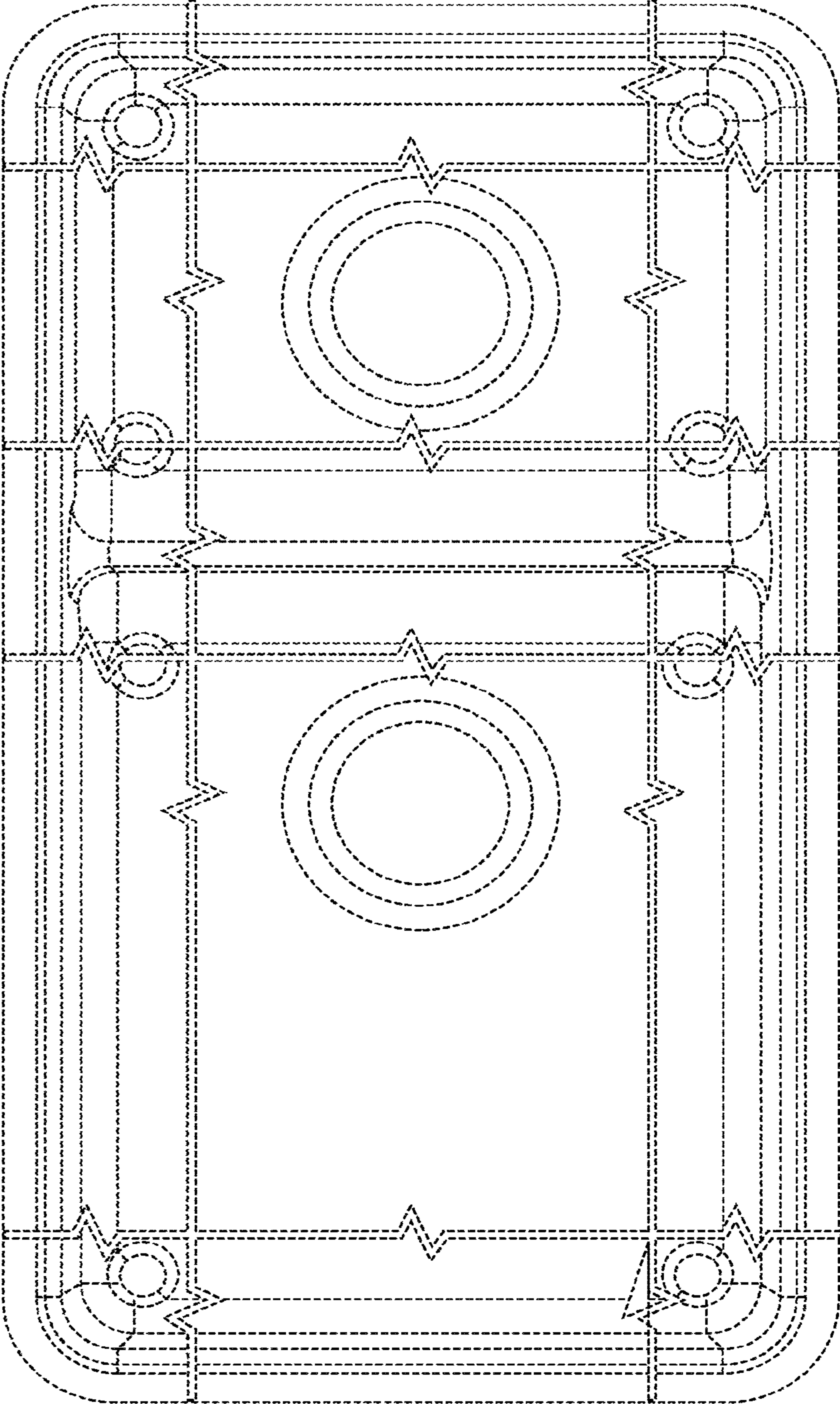


FIG.3

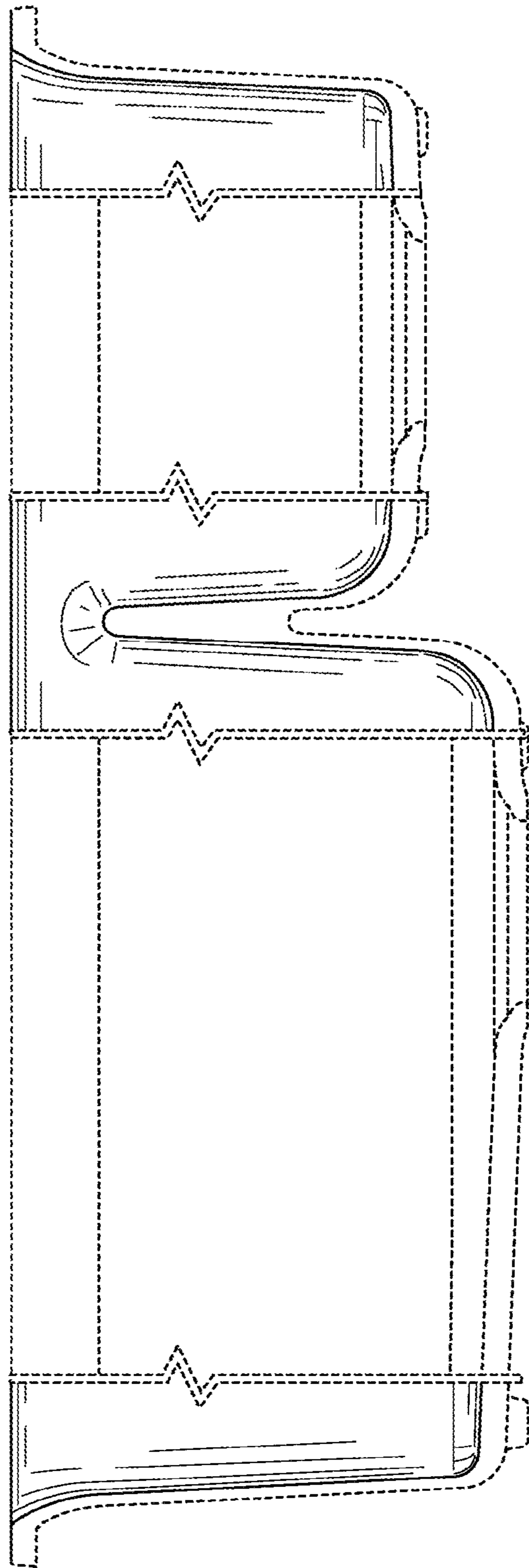


FIG. 4

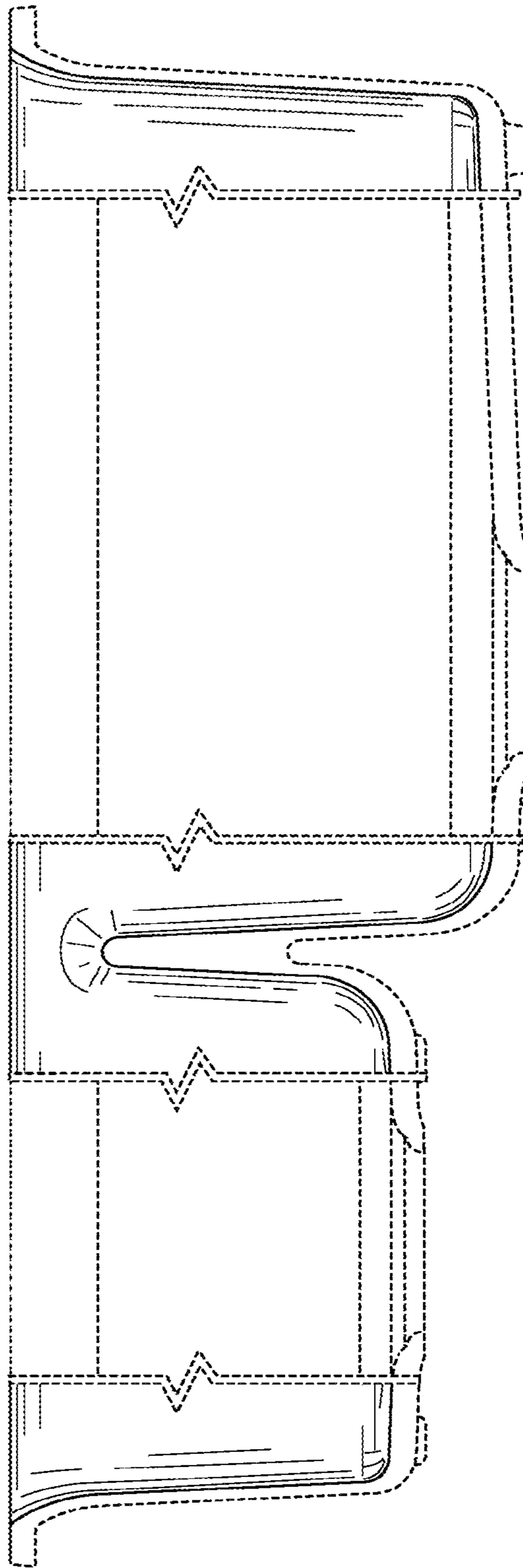


FIG. 5

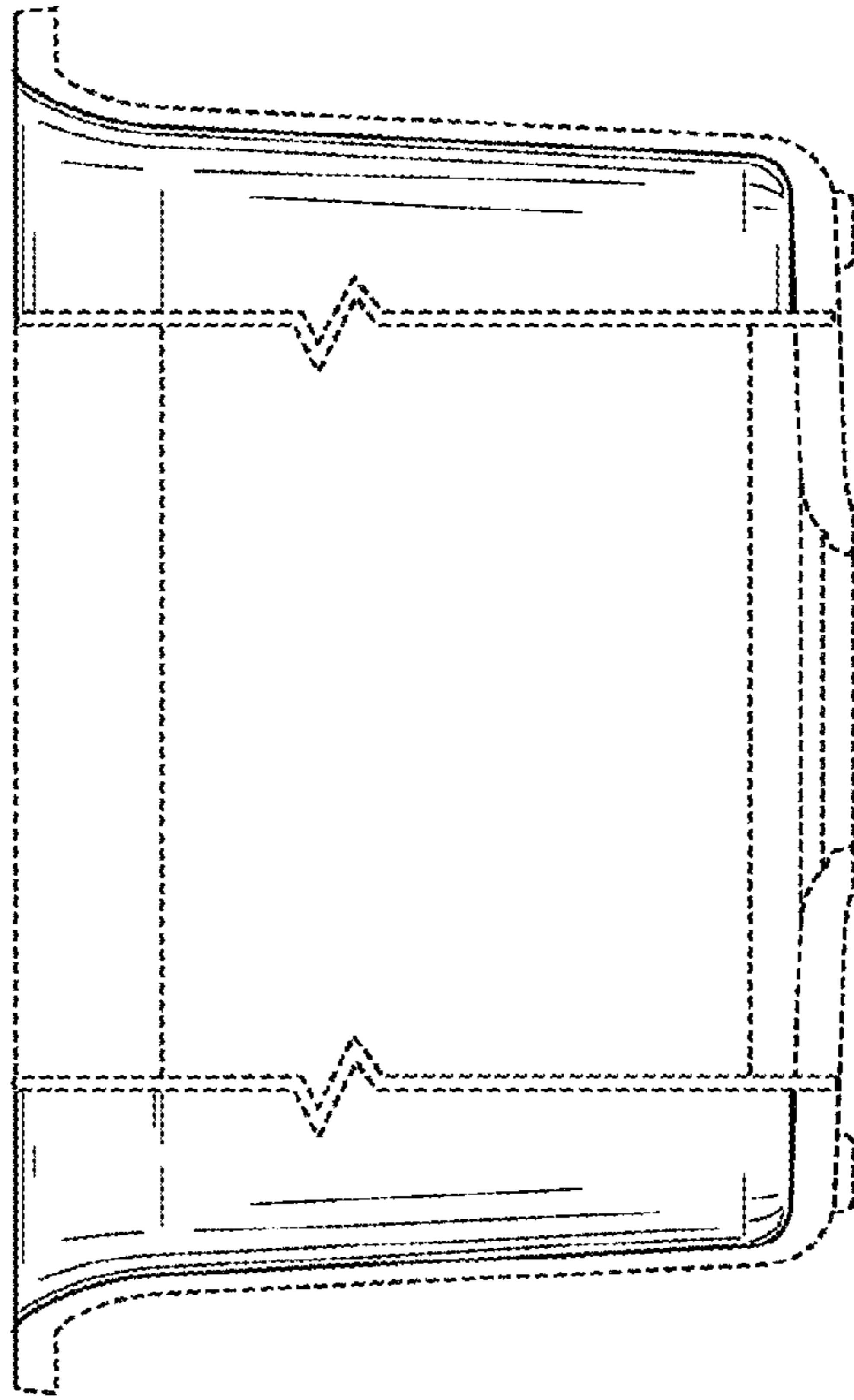


FIG. 7

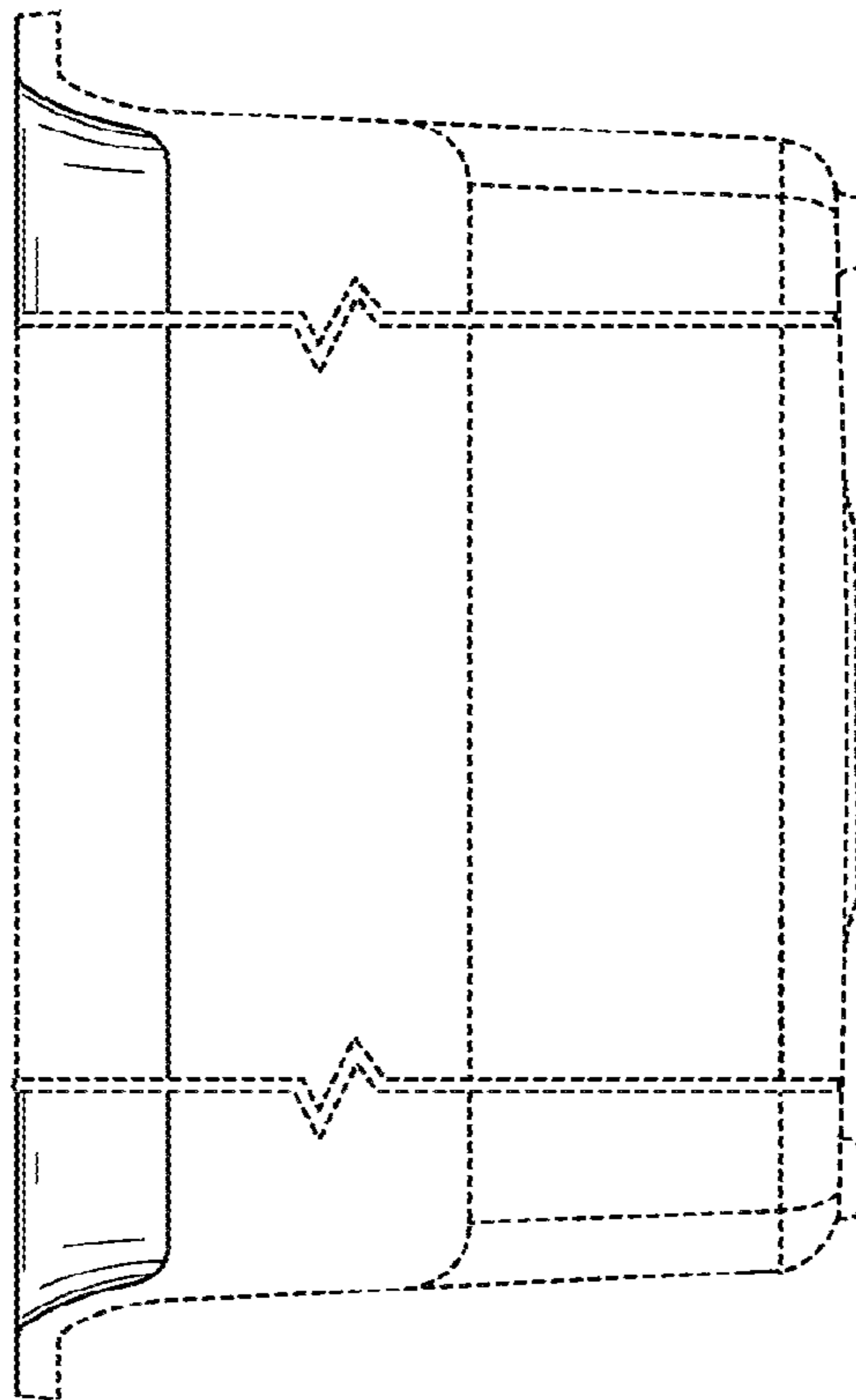


FIG. 6