



US00D769422S

(12) **United States Design Patent**  
**Whiteley**

(10) **Patent No.:** **US D769,422 S**

(45) **Date of Patent:** **\*\* Oct. 18, 2016**

(54) **PORTION OF A QUICK RELEASE  
COUPLING**

(71) Applicant: **Neill Hunt Whiteley**, Spring, TX (US)

(72) Inventor: **Neill Hunt Whiteley**, Spring, TX (US)

(\*\*) Term: **14 Years**

(21) Appl. No.: **29/524,366**

(22) Filed: **Apr. 20, 2015**

(51) **LOC (10) Cl.** ..... **23-01**

(52) **U.S. Cl.**  
USPC ..... **D23/262**

(58) **Field of Classification Search**  
USPC ..... D23/233-237, 249, 259-269, 499;  
D24/129; D13/149; D8/356, 382-383,  
D8/394, 396-397, 399  
CPC ..... F16L 43/001; F16L 19/04; F16L 19/005;  
F16L 19/0218; F16L 55/1152; F16L 27/04;  
F16L 27/073; E21B 17/042; B29C 70/345;  
B29C 70/462; H01R 4/58; F16N 21/06;  
F16B 39/24; F16B 39/26; F16B 37/02;  
F16B 31/02

See application file for complete search history.

(56) **References Cited**

**U.S. PATENT DOCUMENTS**

4,887,644 A \* 12/1989 Jeromson ..... F16K 5/0631  
137/876  
D431,635 S \* 10/2000 Fange ..... D23/265  
D455,762 S \* 4/2002 Kaczmariski ..... D15/28  
D458,942 S \* 6/2002 Balemi ..... D15/28  
D481,108 S \* 10/2003 Horikawa ..... D23/263  
D482,432 S \* 11/2003 Matsumoto ..... D23/235  
D489,434 S \* 5/2004 Horikawa ..... D23/263  
D574,067 S \* 7/2008 Pampinella ..... D23/262

D608,865 S \* 1/2010 Henry ..... D23/262  
D609,789 S \* 2/2010 Milnes ..... D23/262  
D612,462 S \* 3/2010 Shah ..... D23/262  
D616,072 S \* 5/2010 Henry ..... D23/262  
8,075,024 B2 \* 12/2011 Wern ..... F16L 25/01  
285/364  
D689,026 S \* 9/2013 Smith ..... D13/155  
D691,963 S \* 10/2013 Smith ..... D13/155  
D724,185 S \* 3/2015 Chiproot ..... D23/262  
2012/0205909 A1 \* 8/2012 Bird ..... F16L 21/022  
285/337  
2014/0300103 A1 \* 10/2014 Frick ..... F16L 37/0841  
285/317

\* cited by examiner

*Primary Examiner* — Eric Goodman

*Assistant Examiner* — Amy Wierenga

(74) *Attorney, Agent, or Firm* — Dunlap Bennett & Ludwig PLLC

(57) **CLAIM**

The ornamental design for a portion of a quick release coupling, as shown and described.

**DESCRIPTION**

FIG. 1 is a front perspective view of a quick release coupling;

FIG. 2 is a front elevation view thereof;

FIG. 3 is a rear elevation view thereof;

FIG. 4 is a left side elevation view thereof;

FIG. 5 is a right side elevation view thereof;

FIG. 6 is a top plan view thereof;

FIG. 7 is a bottom plan view thereof; and,

FIG. 8 is a front perspective view thereof, show in use.

The broken lines shown in the drawings illustrate portions of a quick release coupling that form no part of the claimed design.

**1 Claim, 5 Drawing Sheets**

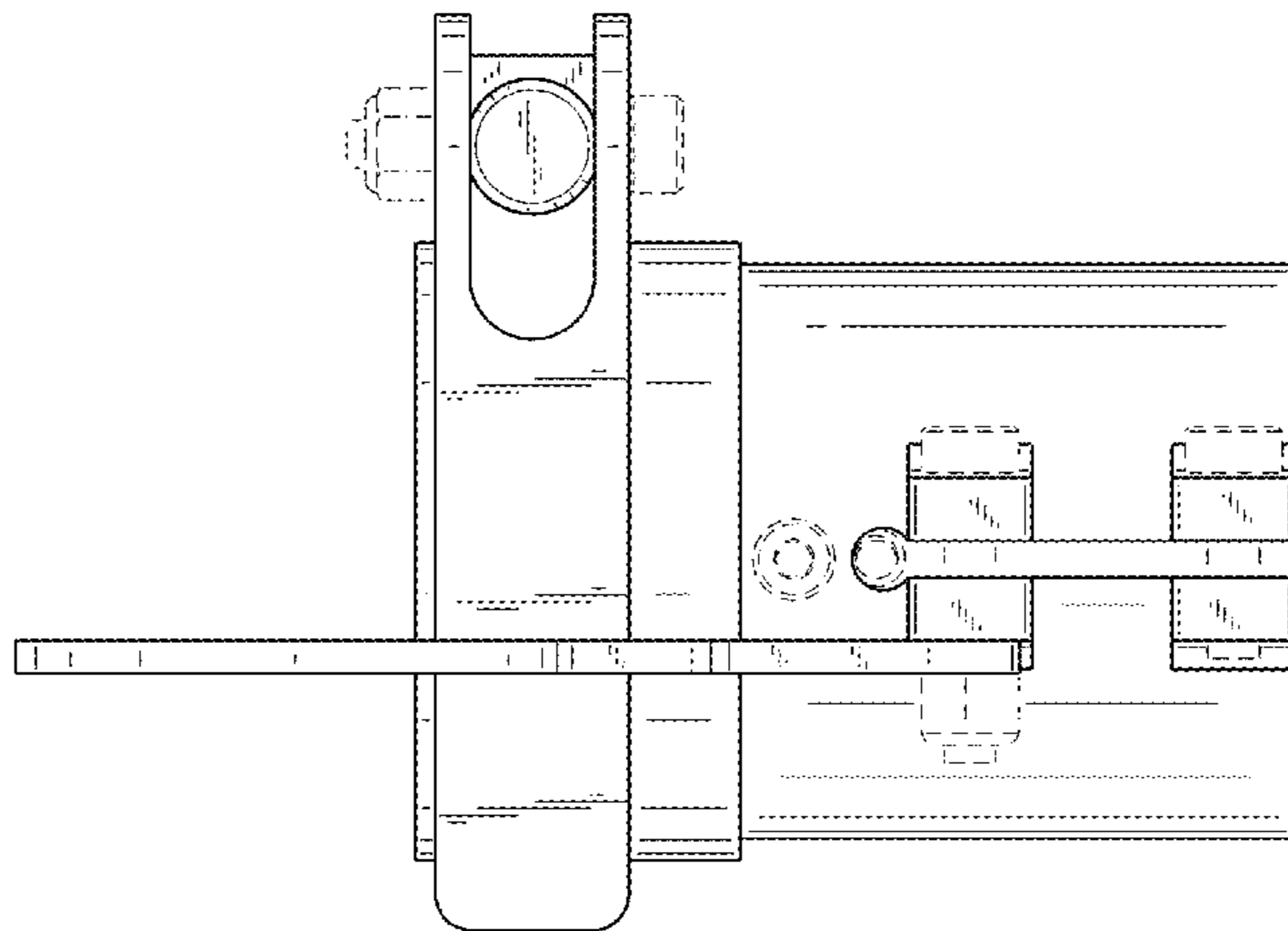
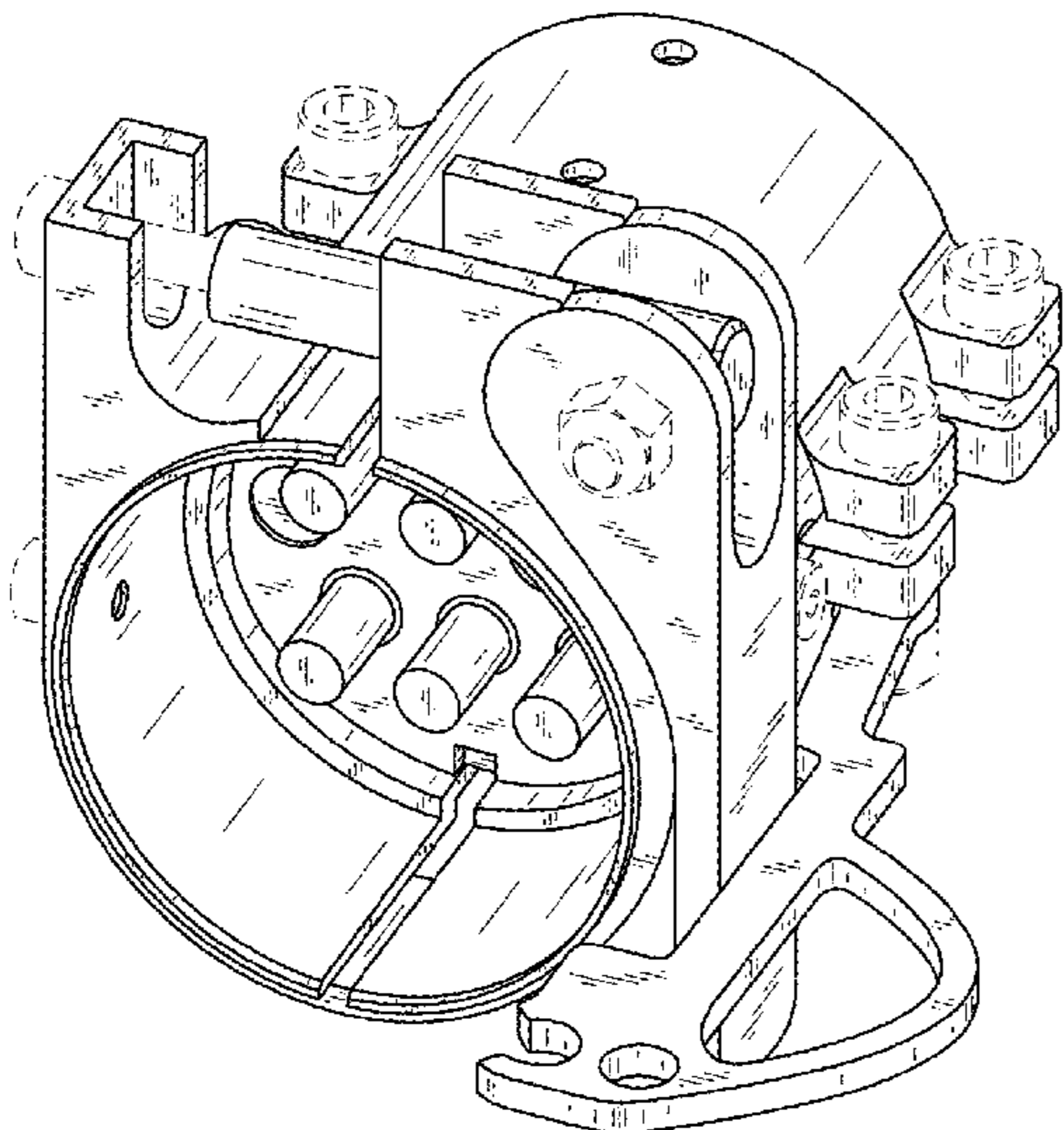


FIG. 1

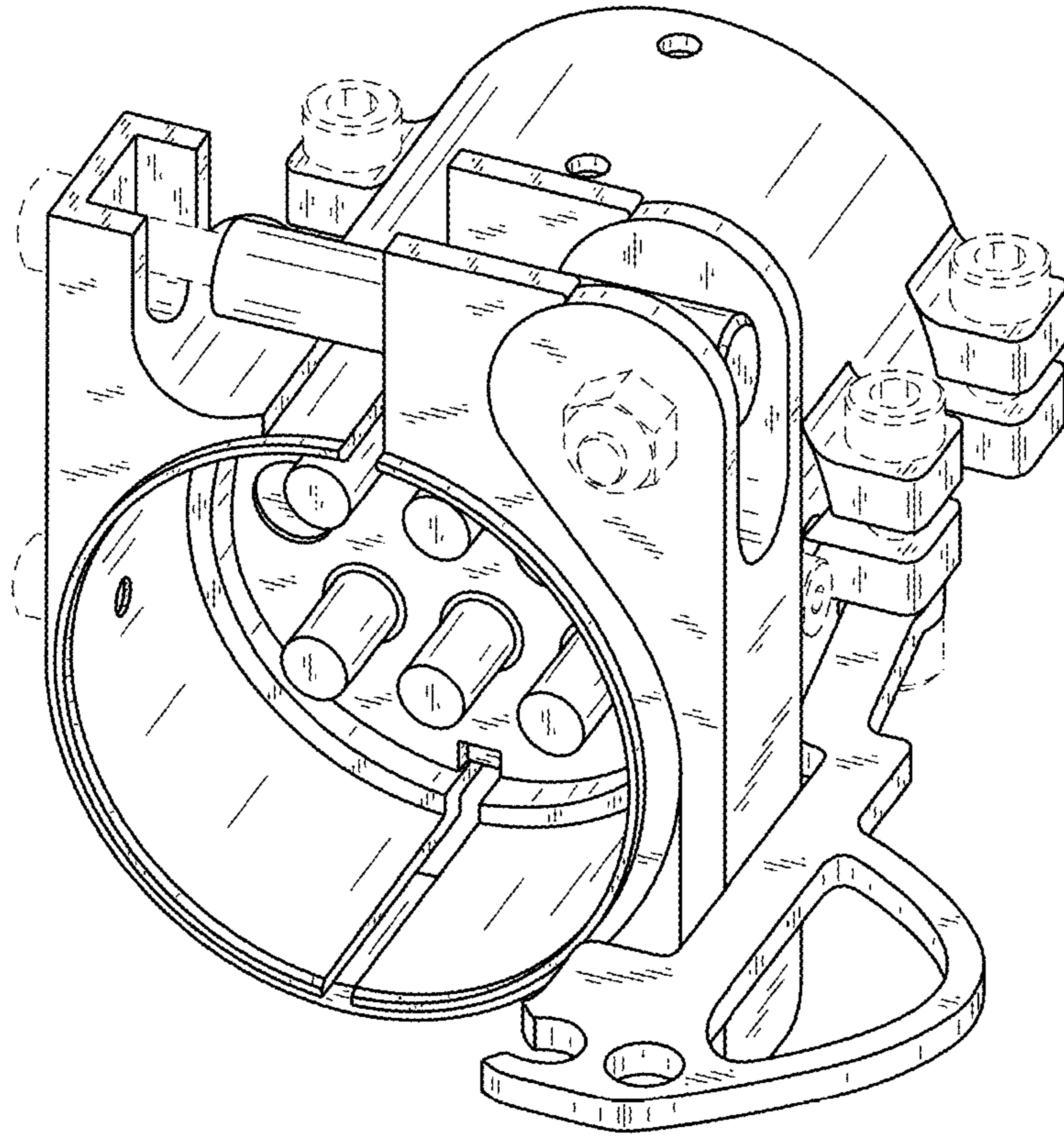
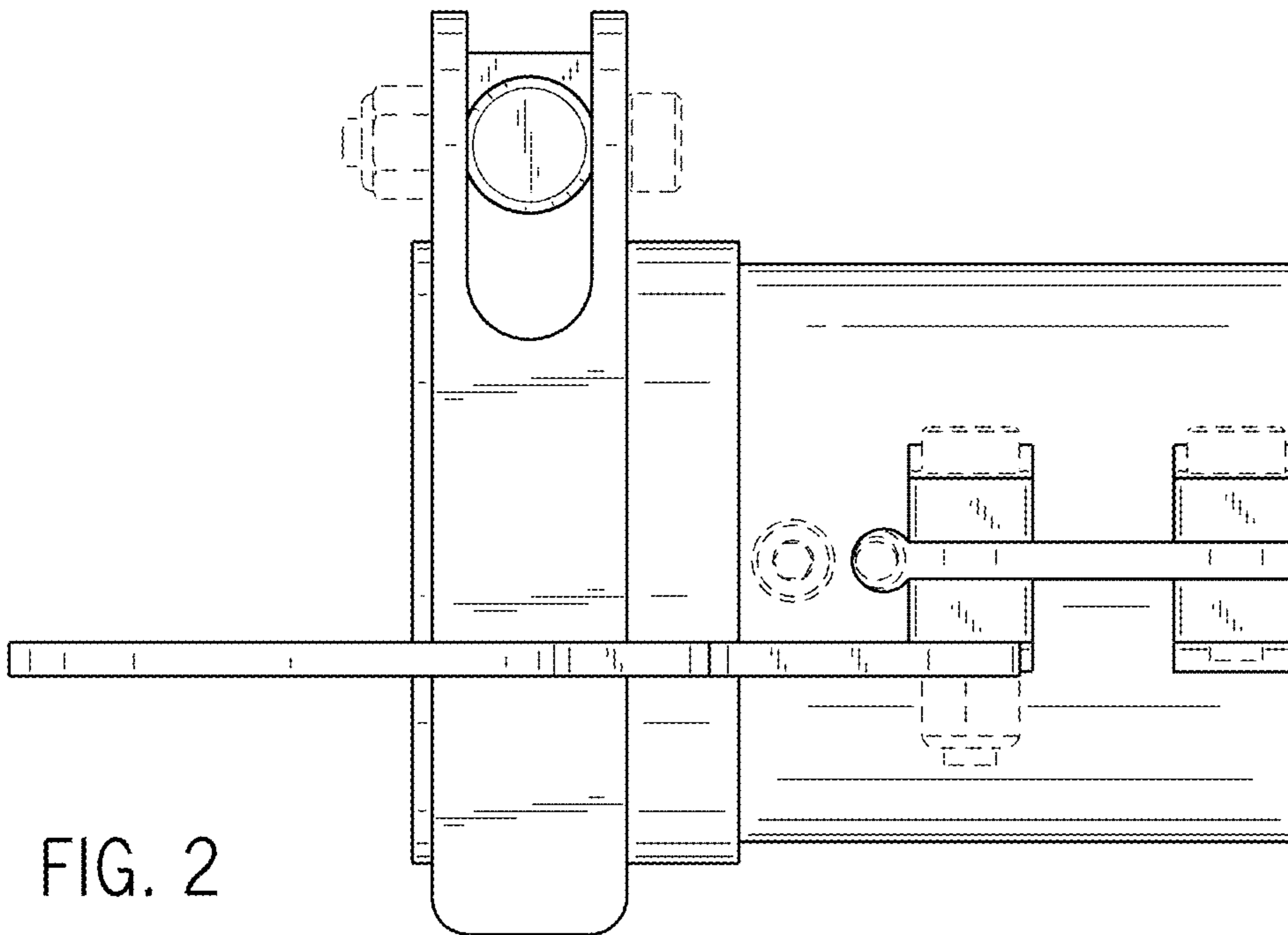
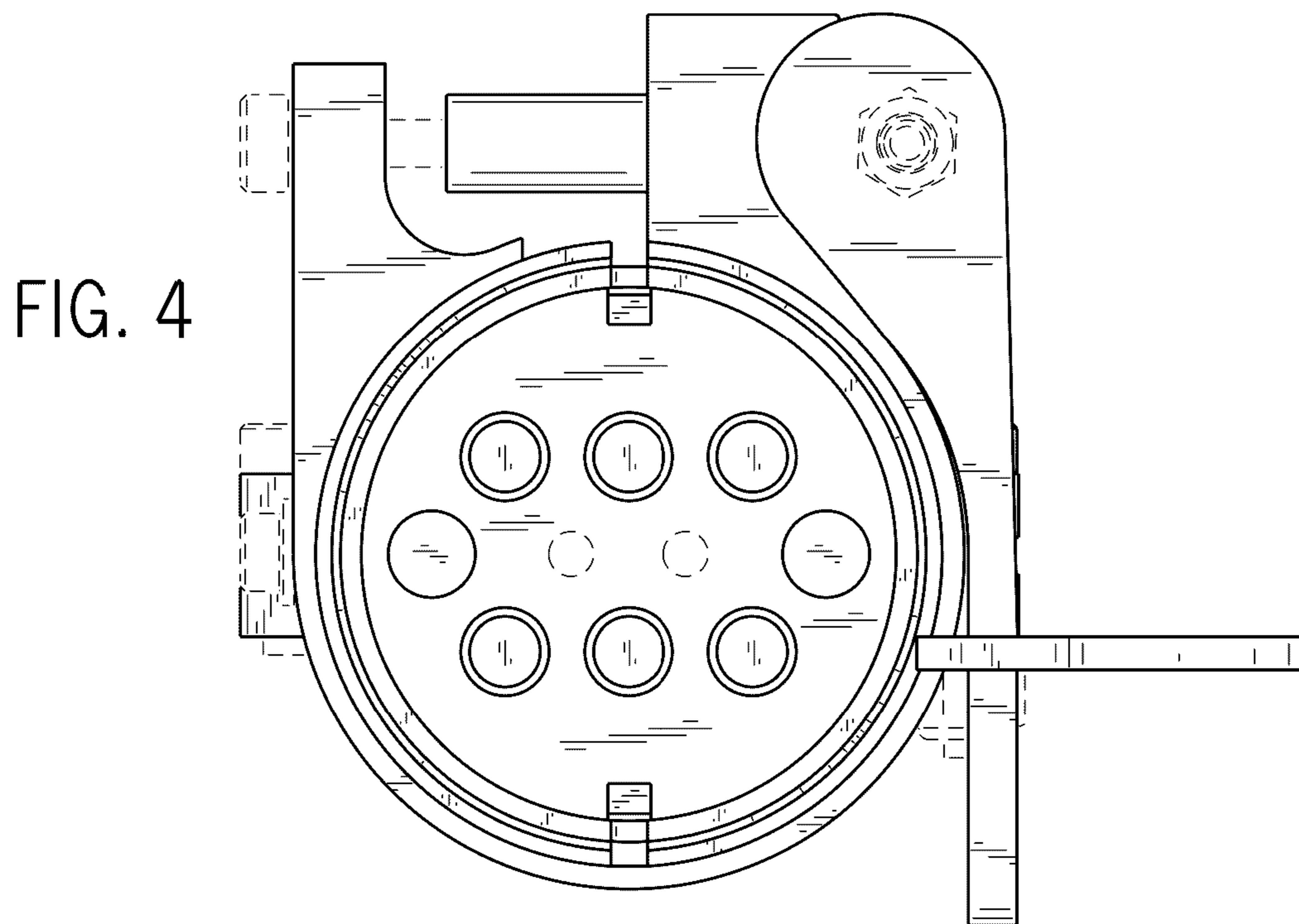
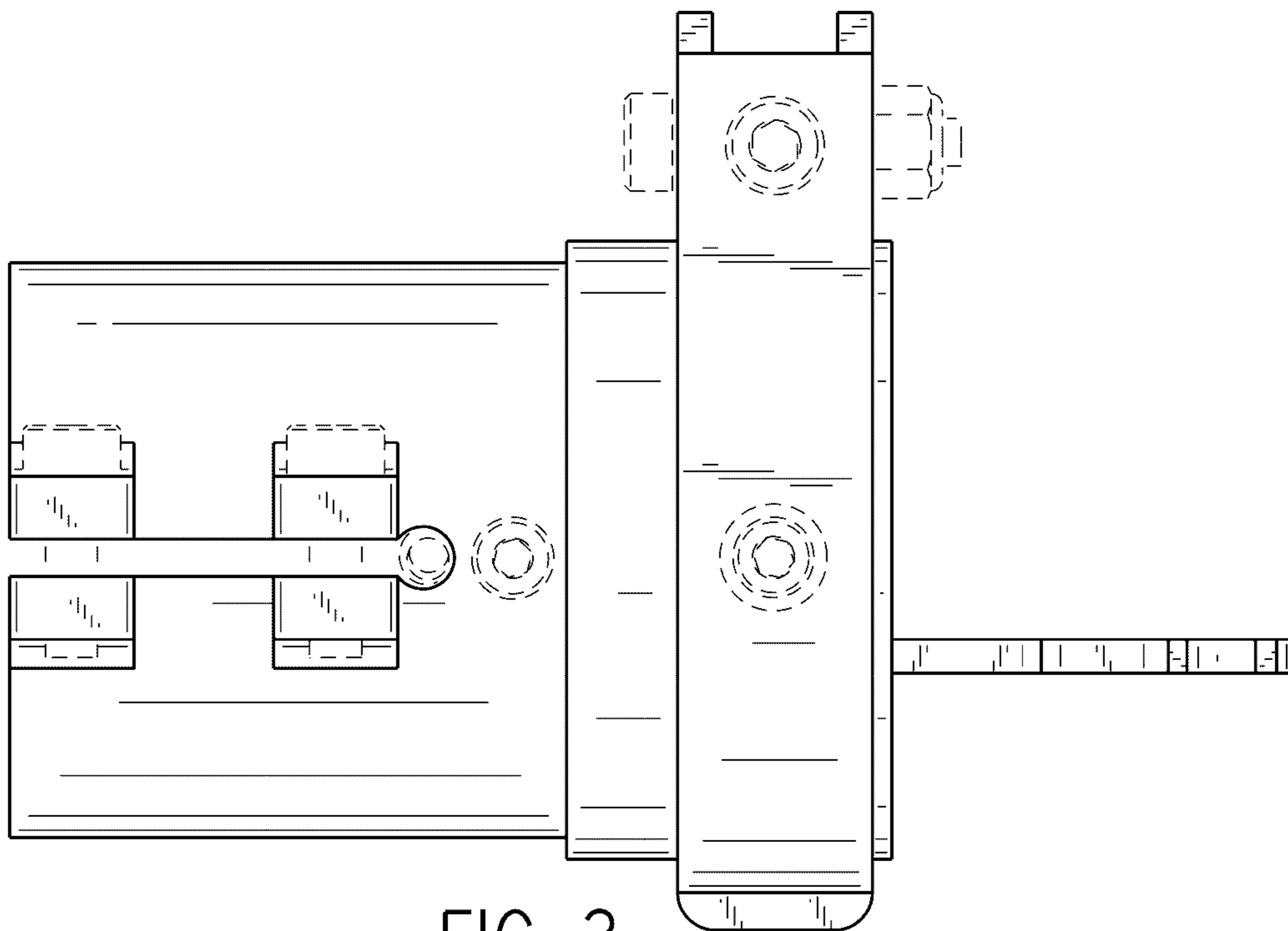


FIG. 2





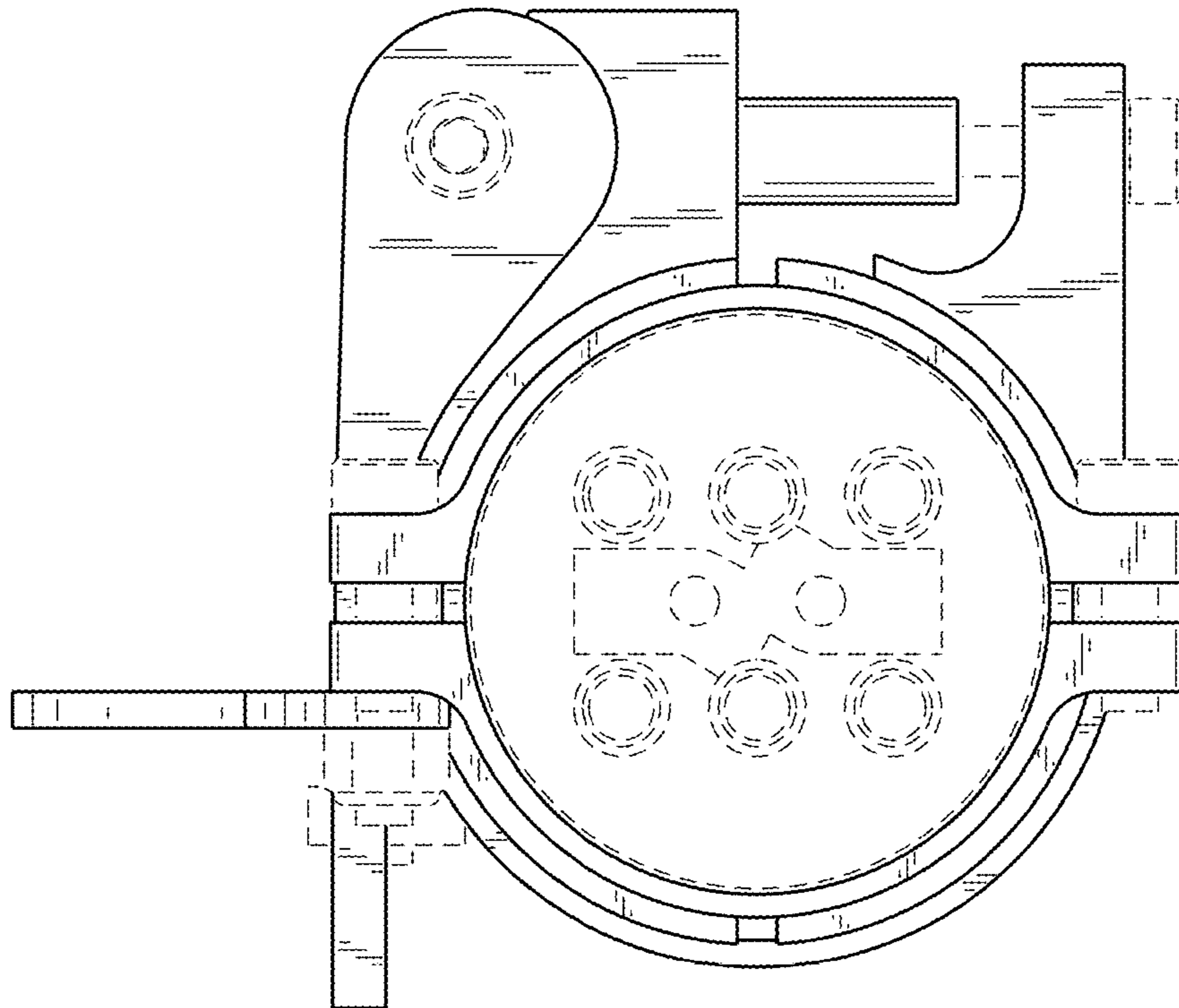


FIG. 5

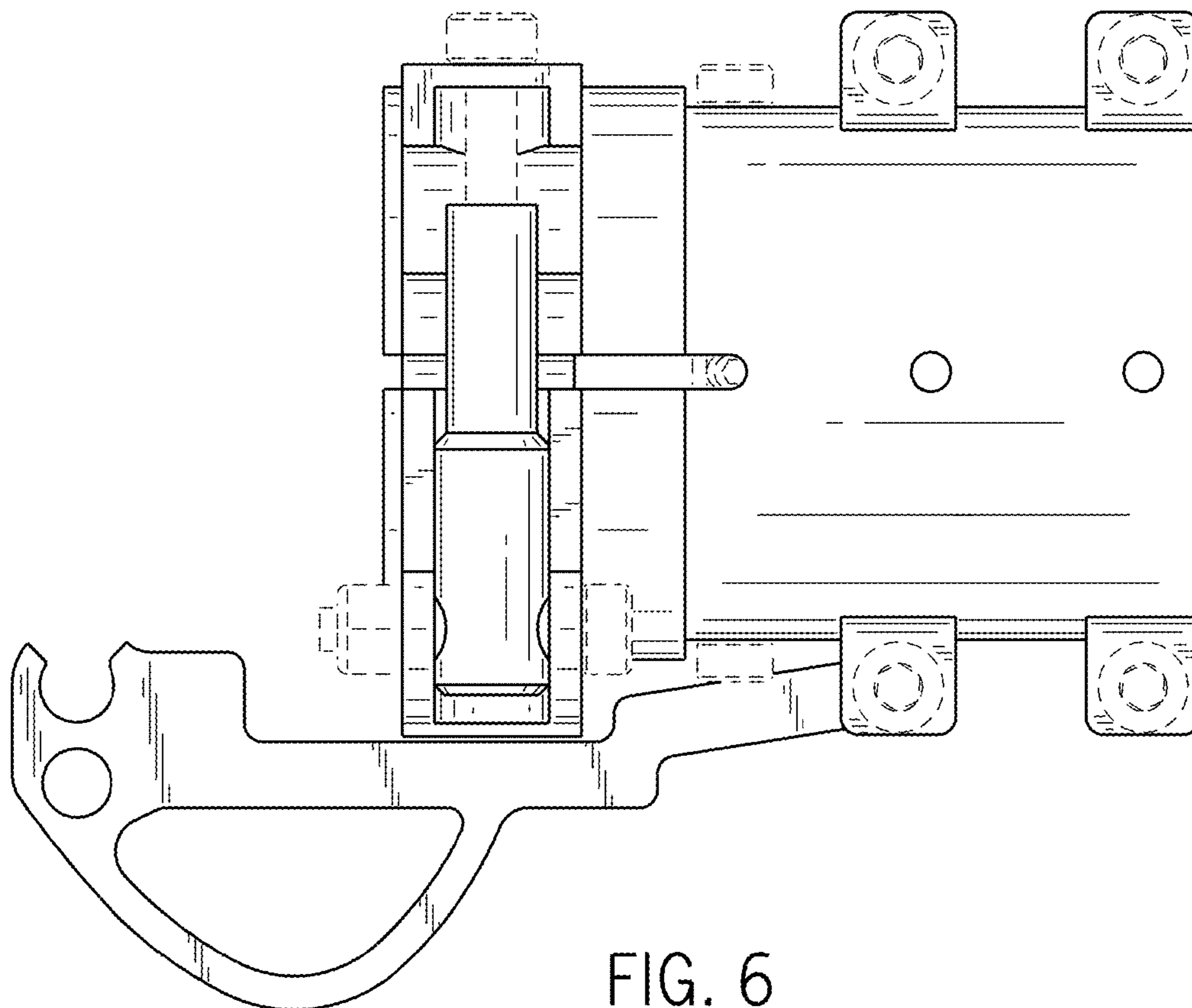


FIG. 6

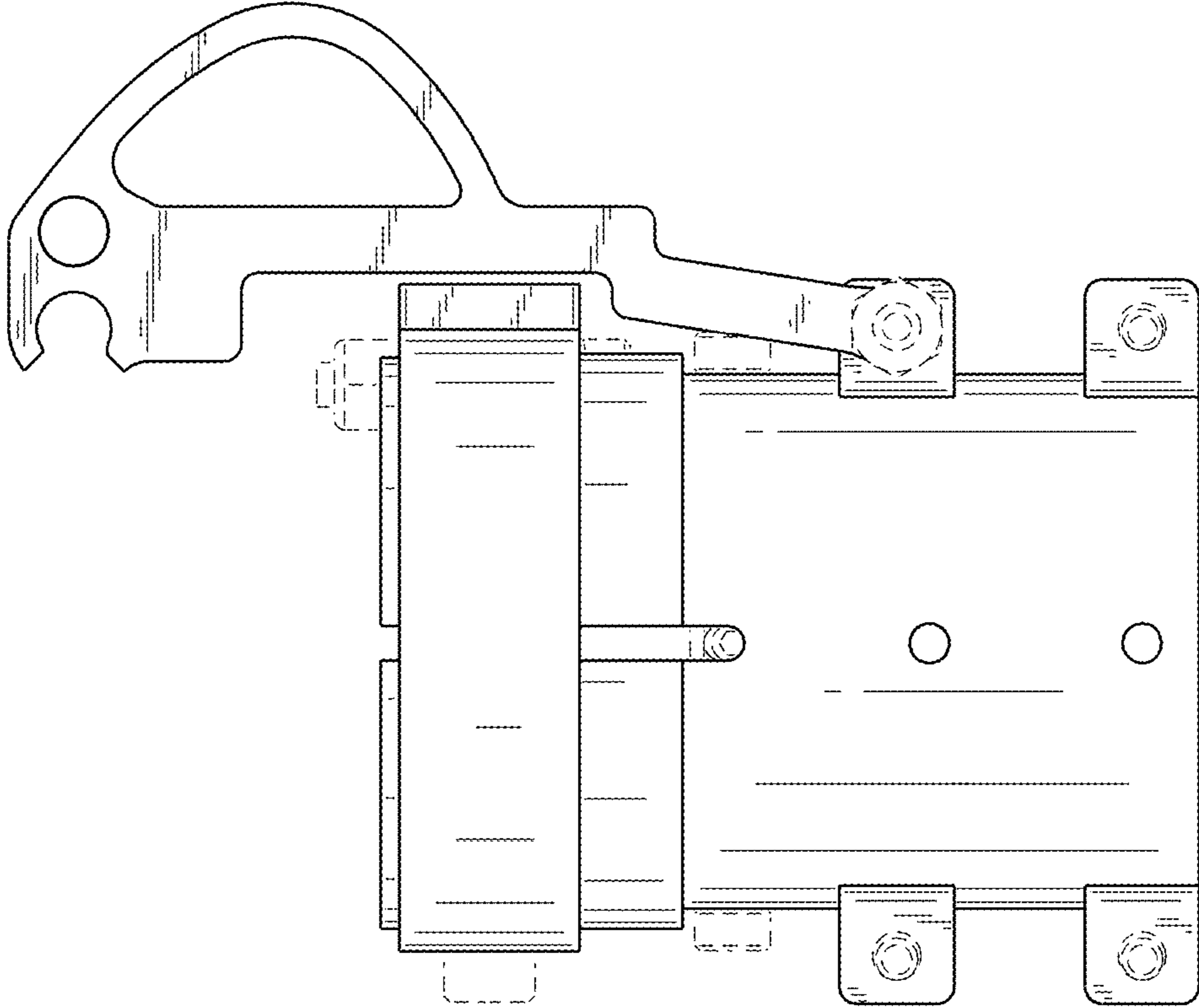


FIG. 7

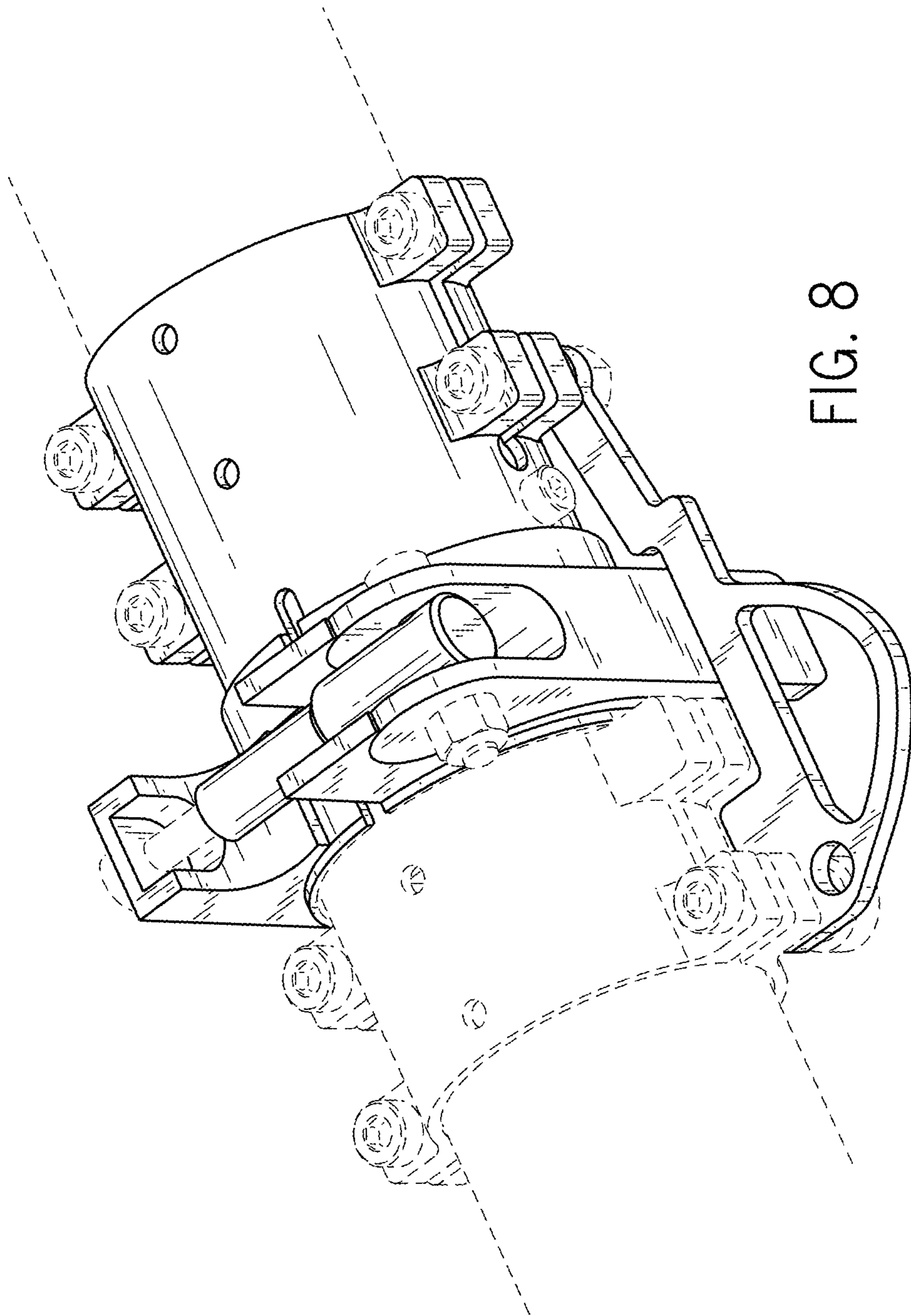


FIG. 8