

US00D769418S

(12) **United States Design Patent** (10) **Patent No.:** **US D769,418 S**
Eads (45) **Date of Patent:** **** Oct. 18, 2016**

(54) **FAUCET**

D609,309 S * 2/2010 Fritz D23/250
D664,242 S * 7/2012 Gao D23/252
D667,084 S * 9/2012 Berger D23/238

(71) Applicant: **Delta Faucet Company**, Indianapolis, IN (US)

* cited by examiner

(72) Inventor: **Thad James Eads**, North Manchester, IN (US)

Primary Examiner — Robert Delehanty

(73) Assignee: **DELTA FAUCET COMPANY**, Indianapolis, IN (US)

(74) *Attorney, Agent, or Firm* — Edgar A. Zarins; Nirav D. Parikh

(**) Term: **15 Years**

(57) **CLAIM**

(21) Appl. No.: **29/537,595**

The ornamental design for a faucet, as shown and described.

(22) Filed: **Aug. 27, 2015**

(51) **LOC (10) Cl.** **23-01**

DESCRIPTION

(52) **U.S. Cl.**
USPC **D23/238**

(58) **Field of Classification Search**
USPC D23/238, 241–243, 249–250, 252, D23/254–255, 257
CPC E03C 1/04; E03C 1/0401; E03C 1/0402; E03C 1/0404; F16K 31/602; F16K 31/605; F16K 31/607
See application file for complete search history.

FIG. 1 is a perspective view of a faucet showing my new design;
FIG. 2 is a top plan view thereof;
FIG. 3 is a bottom view thereof;
FIG. 4 is a rear view thereof;
FIG. 5 is a right side view thereof;
FIG. 6 is a left side view thereof; and,
FIG. 7 is a front elevational view thereof.

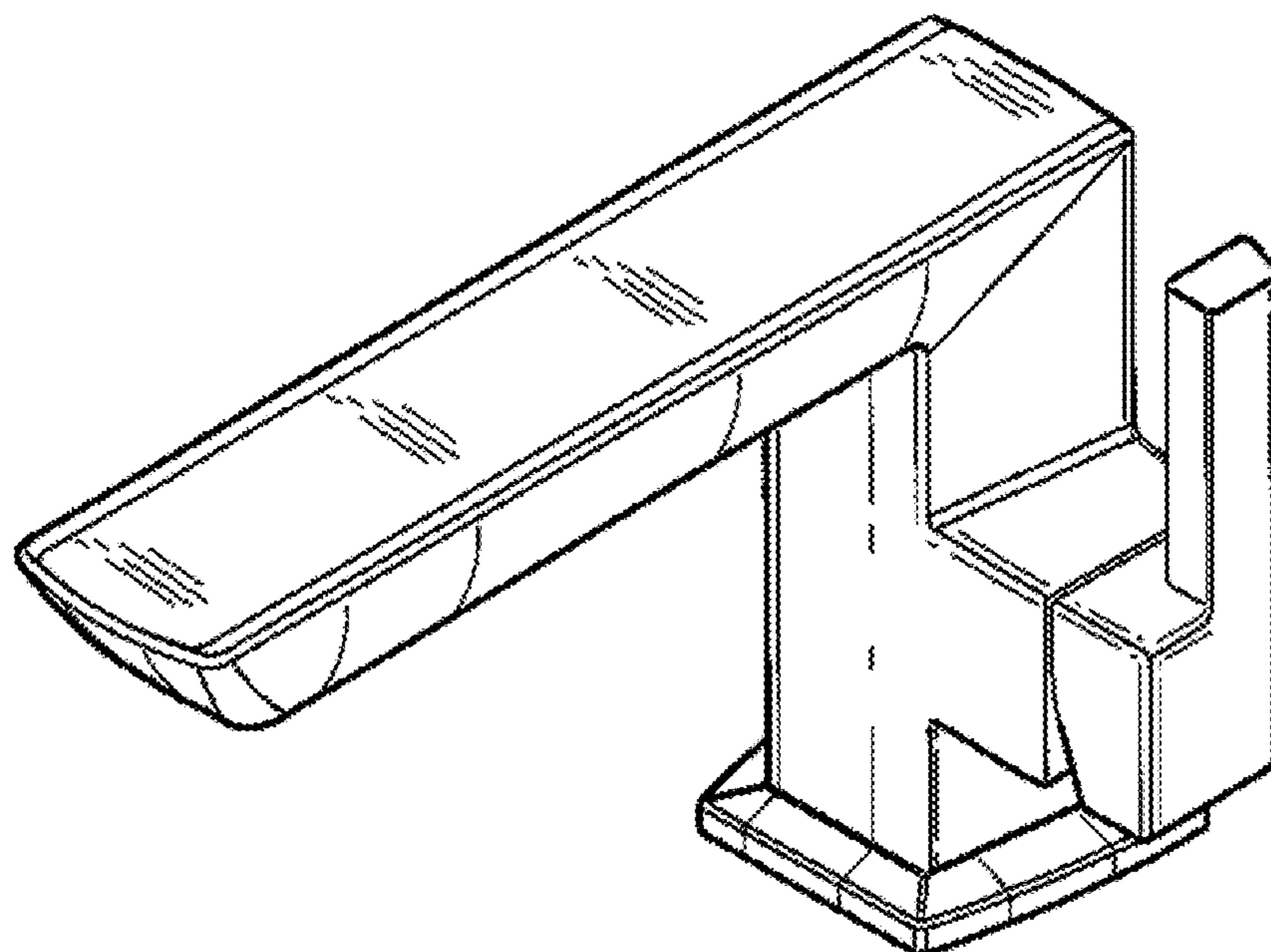
The broken line showing a portion of the faucet forms no part of the claimed design.

(56) **References Cited**

U.S. PATENT DOCUMENTS

D517,655 S * 3/2006 Ogata D23/241
D602,574 S * 10/2009 Downey D23/252

1 Claim, 2 Drawing Sheets



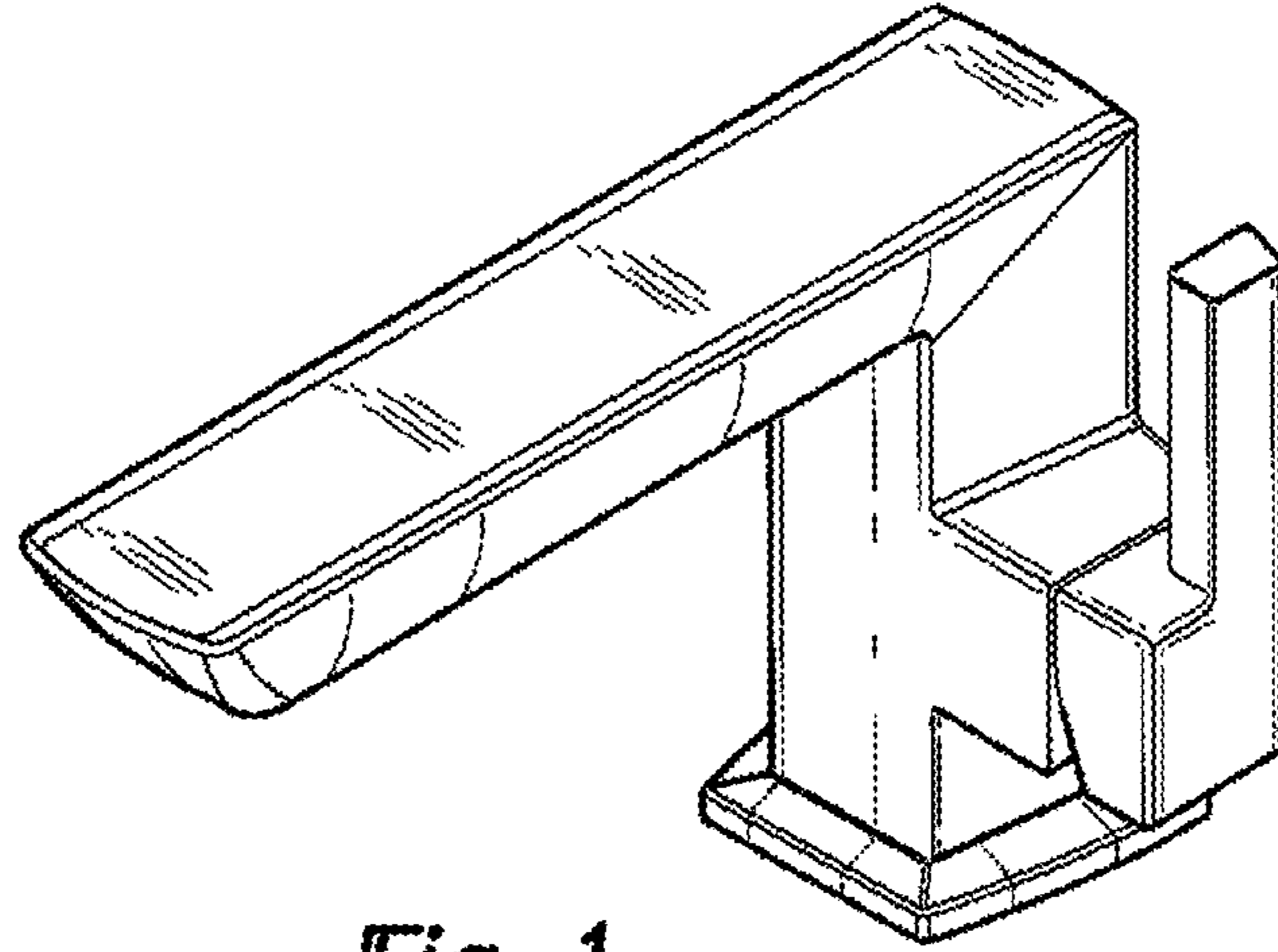


Fig-1

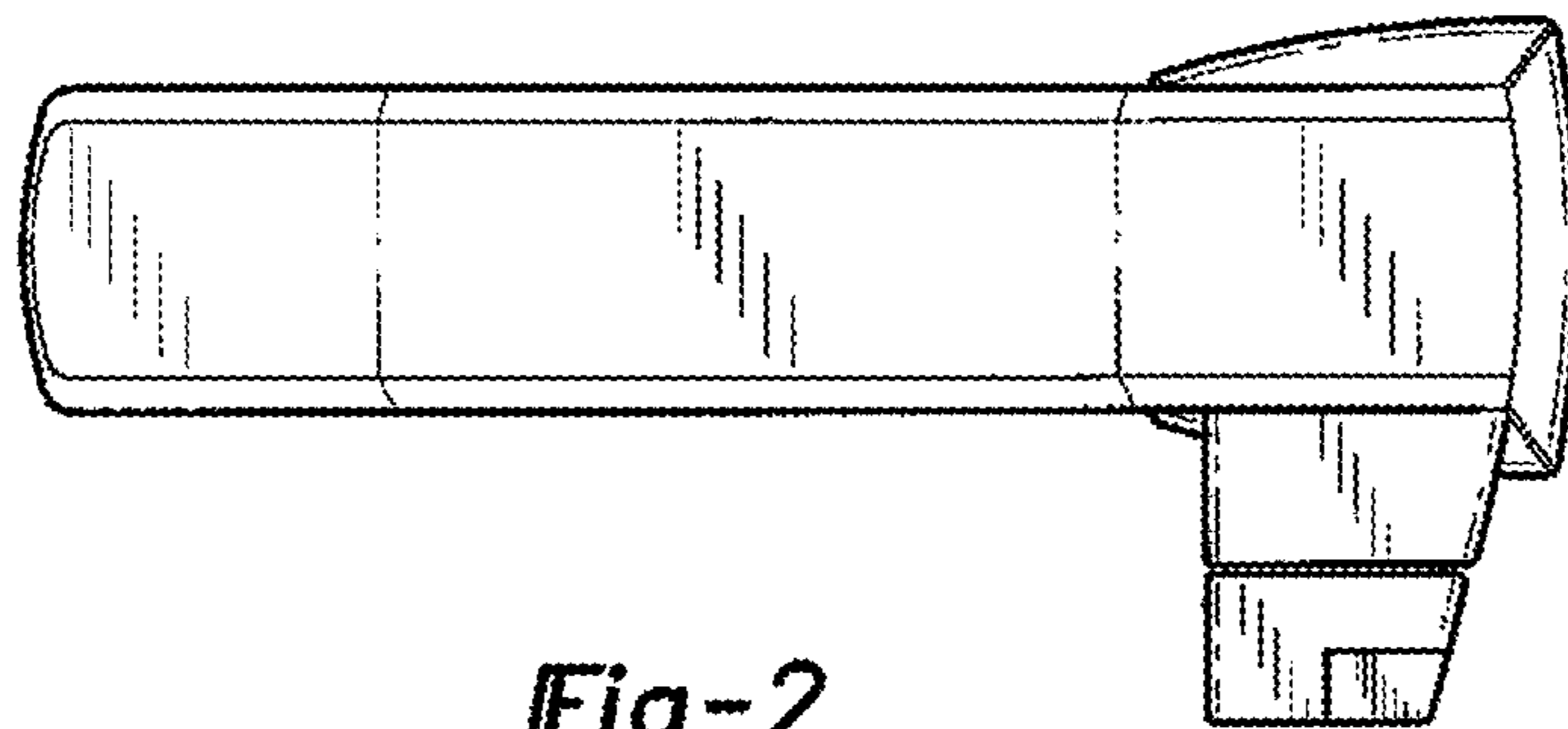


Fig-2

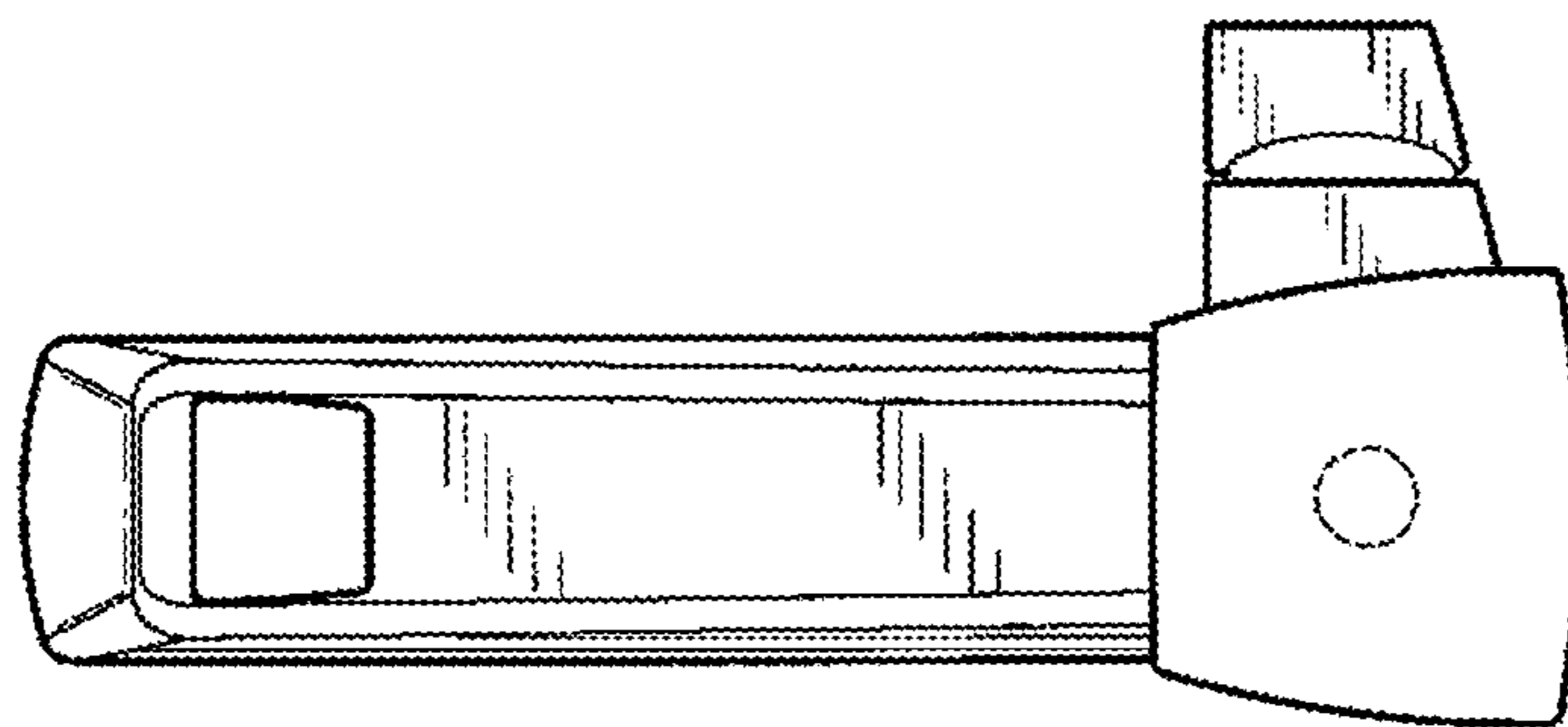


Fig-3

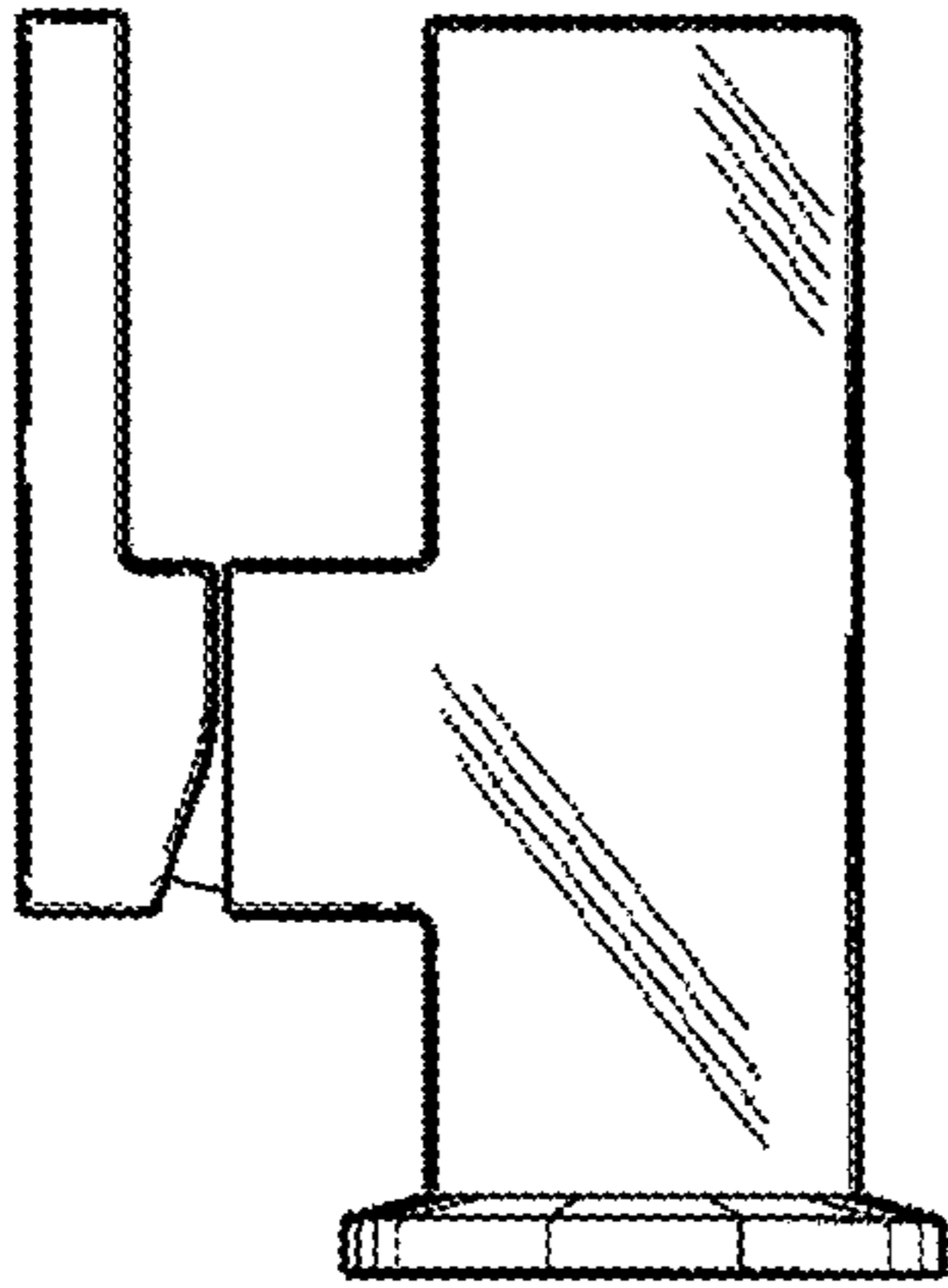


Fig-4

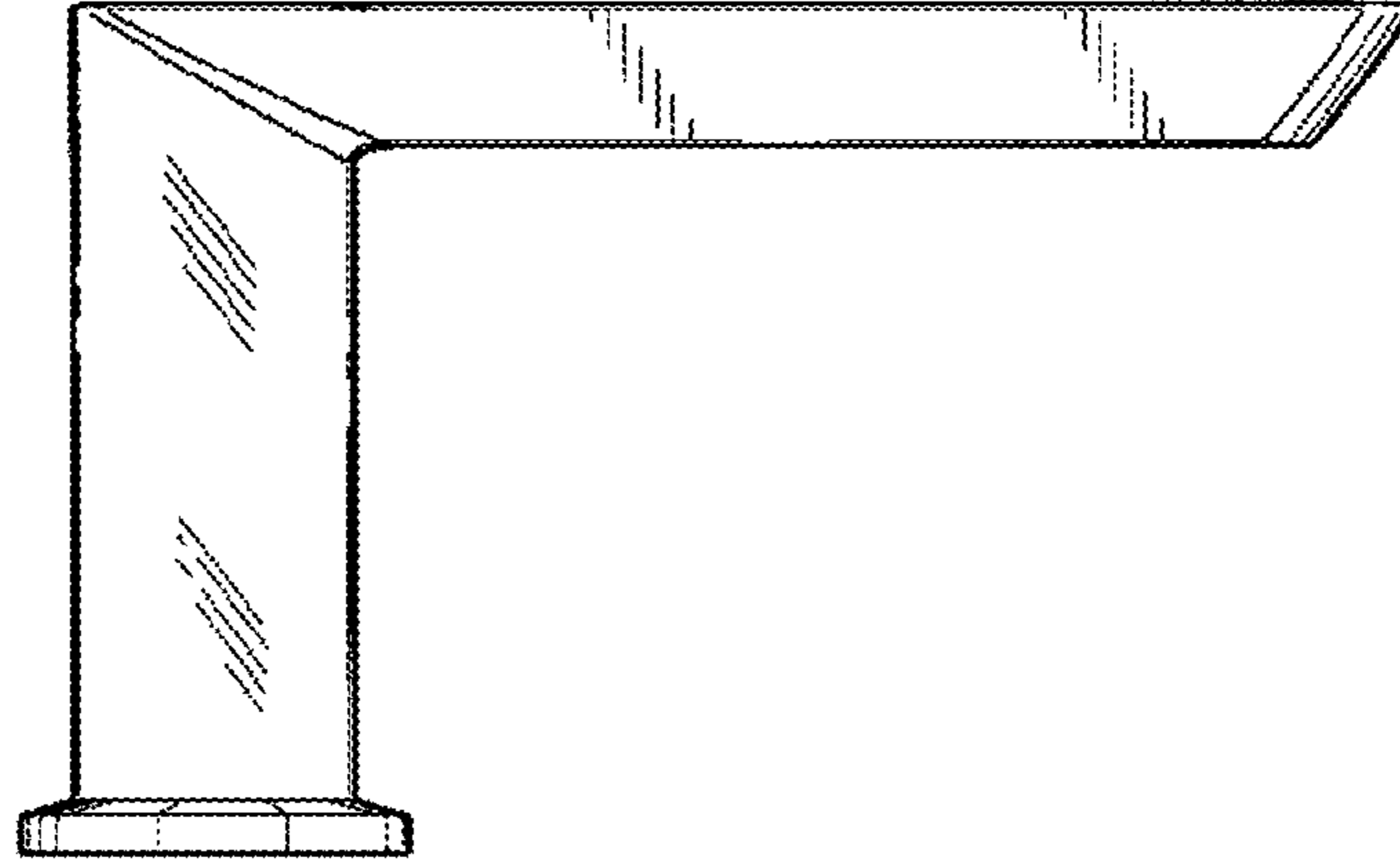


Fig-5

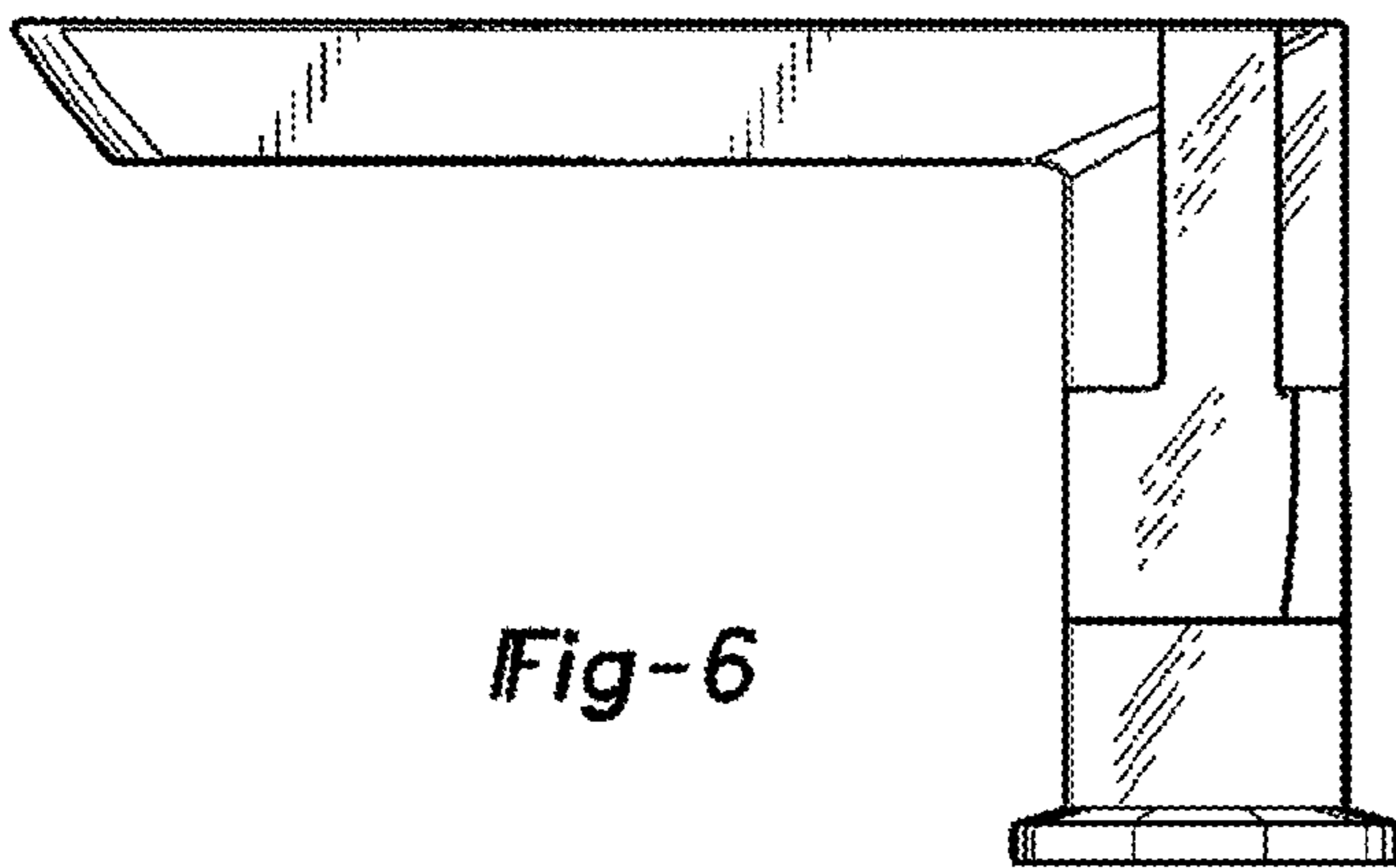


Fig-6

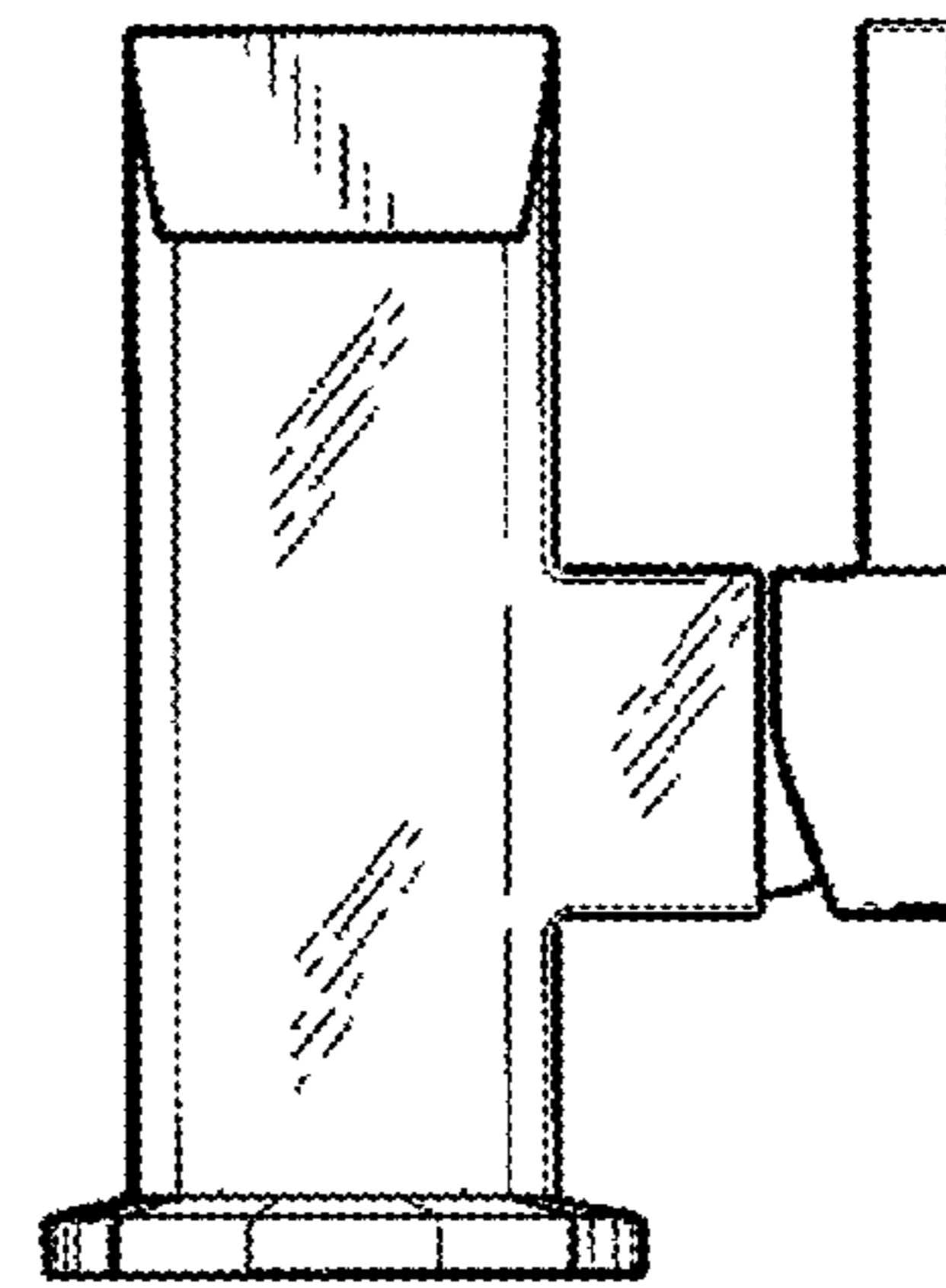


Fig-7